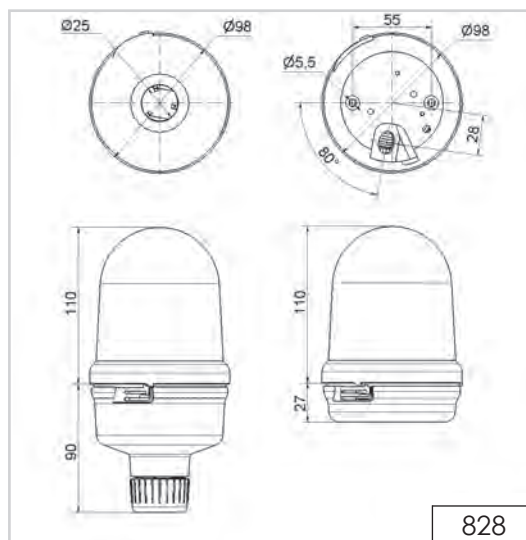
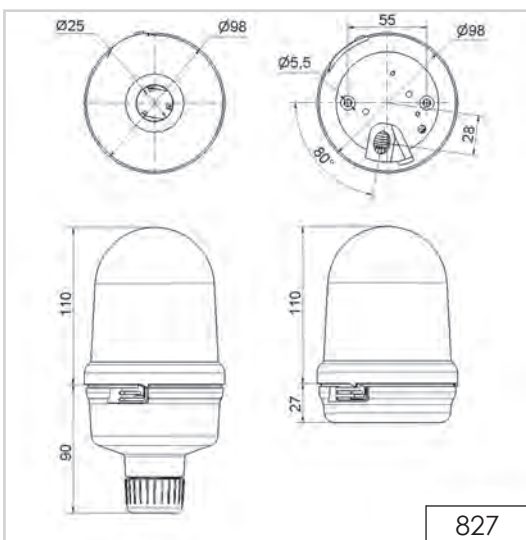
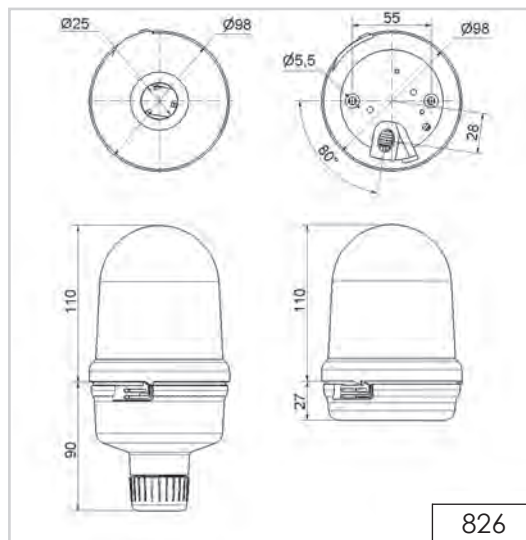
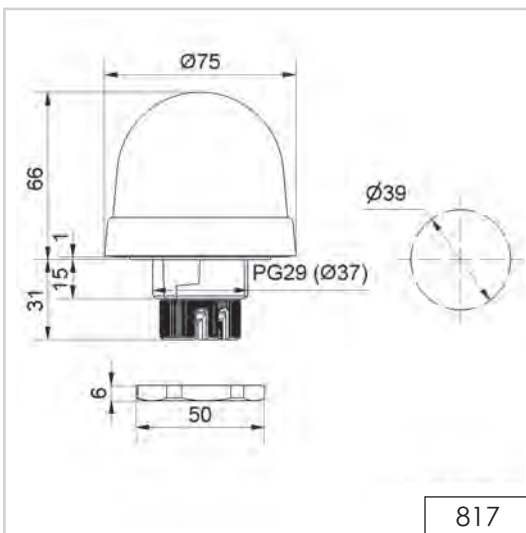
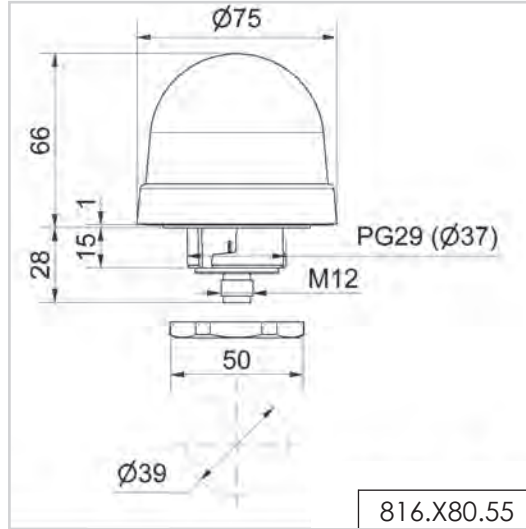
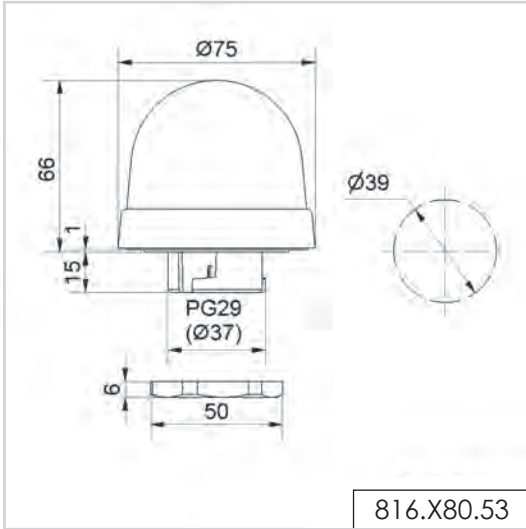


# Technical Diagrams



Technical Diagrams