



N12544208

Industry Standards

UL 508, Type 12
CSA Certified, Type 12
NEMA/EEMAC Type 12
JIC EL-1-71

UL Files E64791

CSA File LL66078

FEATURES-SPECIFICATIONS

Applications

Designed to protect electrical and electronic controls, components, and instruments in typical industrial environments. Enclosure protects enclosed equipment from dust, dirt, oil, and dripping water. These enclosures are used in machine tool applications for housing motor starters, drives, contactors, PLC's, as well as a wide variety of other electrical and electronic equipment found in automotive, pulp and paper, wood products, textile, and similar industries.

Construction

- Bodies and doors fabricated from 12 gauge CRS. Floor mounting feet fabricated from 10 gauge CRS
- Continuously welded seams ground smooth, less knockouts or holes
- Heavy gauge continuous hinges support each door
- Special overlapping door design eliminates need for center post
- 3-point latching mechanism operated by oil-tight key-locking handle
- Print pocket is provided

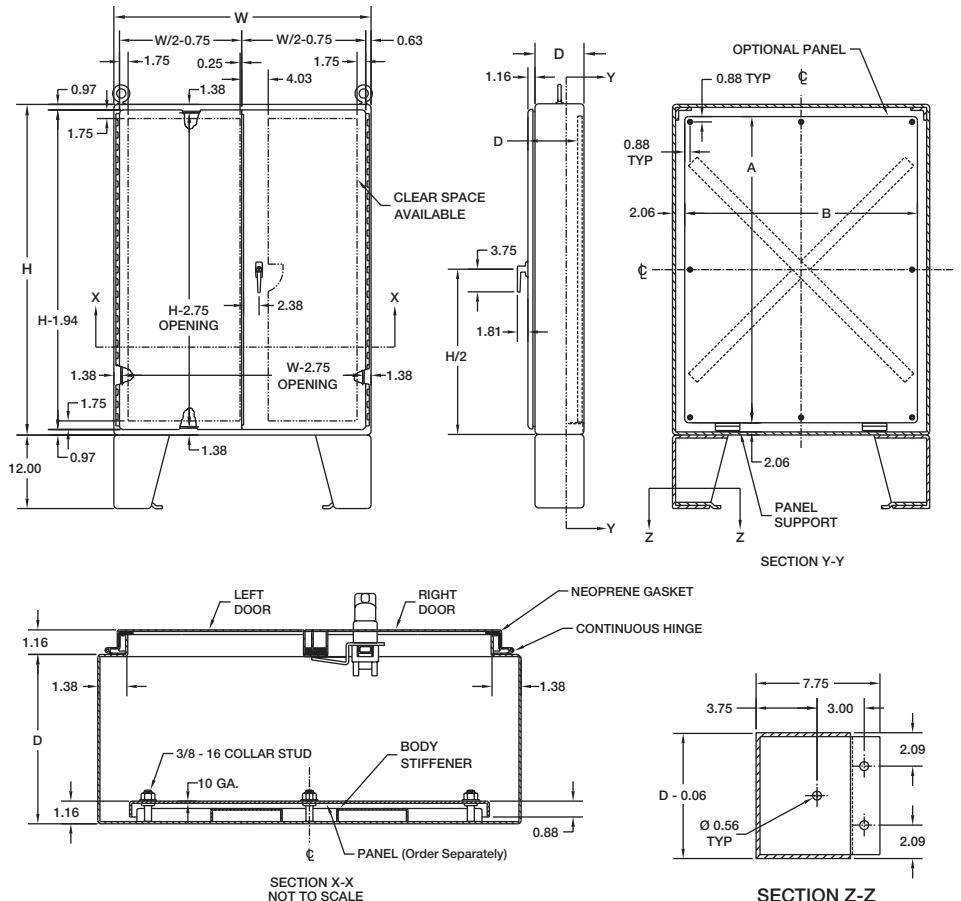
- Standard 12" high floor kits are welded to bottom of enclosure
- Heavy duty lifting eyes
- Strong, rigid constructions with body stiffeners
- Doors are sealed with closed cell neoprene gasket
- Grounding provisions provided
- Back panel supports
- Collar studs for mounting optional back panels are provided

Finish

- ANSI-61 gray polyester powder inside and out over phosphatized surfaces
- **Optional** back panels are white polyester powder over phosphatized surfaces

Accessories

- Back panels (reference tables)
- See pages J1-J19



N12 SERIES FLOOR-MOUNTED ENCLOSURES							
CATALOG NUMBER	BODY/DOOR STEEL GAUGE	ENCLOSURE SIZE H X W X D	BACK PANEL CATALOG NUMBER*	BACK PANEL SIZE A X B	BACK PANEL STEEL GAUGE	STIFFENER(S)	
						DOOR	BODY
N12544208	12/12	54.12x42.12x8.12 (1375x1070x206)	NPDD5442	50.00x38.00 (1270x965)	10	0	1 "X" Style
N12604808	12/12	60.12x48.12x8.12 (1527x1222x206)	NPDD6048	56.00x44.00 (1422x1118)	10	0	1 "X" Style
N12604810	12/12	60.12x48.12x10.12 (1527x1222x257)	NPDD6048	56.00x44.00 (1422x1118)	10	0	1 "X" Style
N12606010	12/12	60.12x60.12x10.12 (1527x1527x257)	NPDD6060	56.00x56.00 (1422x1422)	10	0	1 "X" Style
N12726010	12/12	72.12x60.12x10.12 (1832x1527x257)	NPDD7260	68.00x56.00 (1727x1422)	10	0	1 "X" Style
N12727210	12/12	72.12x72.12x10.12 (1832x1832x257)	NPDD7272	68.00x68.00 (1727x1727)	10	0	1 "X" Style
N12604812	12/12	60.12x48.12x12.12 (1527x1222x308)	NPDD6048	56.00x44.00 (1422x1118)	10	0	1 "X" Style
N12606012	12/12	60.12x60.12x12.12 (1527x1527x308)	NPDD6060	56.00x56.00 (1422x1422)	10	0	1 "X" Style
N12726012	12/12	72.12x60.12x12.12 (1832x1527x308)	NPDD7260	68.00x56.00 (1727x1422)	10	0	1 "X" Style
N12727212	12/12	72.12x72.12x12.12 (1832x1832x308)	NPDD7272	68.00x68.00 (1727x1727)	10	0	1 "X" Style
N12604816	12/12	60.12x48.12x16.12 (1527x1222x409)	NPDD6048	56.00x44.00 (1422x1118)	10	0	1 "X" Style
N12606016	12/12	60.12x60.12x16.12 (1527x1527x409)	NPDD6060	56.00x56.00 (1422x1422)	10	0	1 "X" Style
N12726016	12/12	72.12x60.12x16.12 (1832x1527x409)	NPDD7260	68.00x56.00 (1727x1422)	10	0	1 "X" Style
N12727216	12/12	72.12x72.12x16.12 (1832x1832x409)	NPDD7272	68.00x68.00 (1727x1727)	10	0	1 "X" Style
N12604820	12/12	60.12x48.12x20.12 (1527x1222x511)	NPDD6048	56.00x44.00 (1422x1118)	10	0	1 "X" Style
N12726020	12/12	72.12x60.12x20.12 (1832x1527x511)	NPDD7260	68.00x56.00 (1727x1422)	10	0	1 "X" Style
N12727220	12/12	72.12x72.12x20.12 (1832x1832x511)	NPDD7272	68.00x68.00 (1727x1727)	10	0	1 "X" Style
N12604824	12/12	60.12x48.12x24.12 (1527x1222x613)	NPDD6048	56.00x44.00 (1422x1118)	10	0	1 "X" Style
N12606024	12/12	60.12x60.12x24.12 (1527x1527x613)	NPDD6060	56.00x56.00 (1422x1422)	10	0	1 "X" Style
N12726024	12/12	72.12x60.12x24.12 (1832x1527x613)	NPDD7260	68.00x56.00 (1727x1422)	10	0	1 "X" Style
N12727224	12/12	72.12x72.12x24.12 (1832x1832x613)	NPDD7272	68.00x68.00 (1727x1727)	10	0	1 "X" Style

*Back panels must be ordered separately.



WIEGMANN®



NPDD4242

FEATURES-SPECIFICATIONS

Description

- Steel panels are fabricated from 10 gauge carbon steel
- Panels are painted with a white polyester powder
- Panels are used in NEMA 12 double door floor-mounted enclosures and some 2-door wall-mount enclosures

BACK PANELS FOR DOUBLE DOOR FLOOR-MOUNTED ENCLOSURES	
CATALOG NUMBER PAINTED STEEL (WHITE)	PANEL SIZE A X B
NPDD4242	39.00x39.00 (991x991)
NPDD4260	38.00x56.00 (965x1422)
NPDD4842	45.00x39.00 (1143x991)
NPDD4848	44.00x44.00 (1118x1118)
NPDD5442	50.00x38.00 (1270x965)
NPDD6048	44.00x56.00 (1118x1422)
NPDD6060	56.00x56.00 (1422x1422)
NPDD7260	56.00x68.00 (1422x1727)
NPDD7272	68.00x68.00 (1727x1727)

