

N4S-FS SERIES ENCLOSURES NEMA 4 SINGLE DOOR FREESTANDING



N4S723724FS

Industry Standards

UL 508, Types 3, 4, & 12
CSA Certified, Type 3, 4, & 12
NEMA/EEMAC Types 3, 4, & 12

 UL File E64791

 CSA File LL66078

FEATURES-SPECIFICATIONS

Applications

Designed to house electrical and electronic controls, terminals, and instruments in areas that are regularly hosed down or are otherwise very wet. Also suitable for outdoor applications.

Construction

- Bodies and doors fabricated from 12 gauge steel
- Continuously welded seams ground smooth, less knockouts or holes
- “Uni-strut” mounting channels are welded horizontally to interior body sides, top, bottom and center
- **Optional** swing, half, full and rack panels can be mounted anywhere along “uni-strut” channel

- Rolled lip around three sides of door and along top of enclosures opening excludes liquids and contaminants from entering
- Quick and easy to operate stainless steel door clamps around three sides of doors
- Heavy gauge continuous hinge with stainless steel hinge pin
- Doors are removable by pulling stainless steel continuous hinge pin
- Hasp and staple are provided for padlocking
- Print pocket is provided
- Heavy duty removable lifting eyes

- Doors are sealed with closed cell neoprene gasket
- Grounding provisions provided

Finish

- ANSI-61 gray polyester powder inside and out over phosphatized surfaces
- **Optional** back panels are white polyester powder over phosphatized surfaces

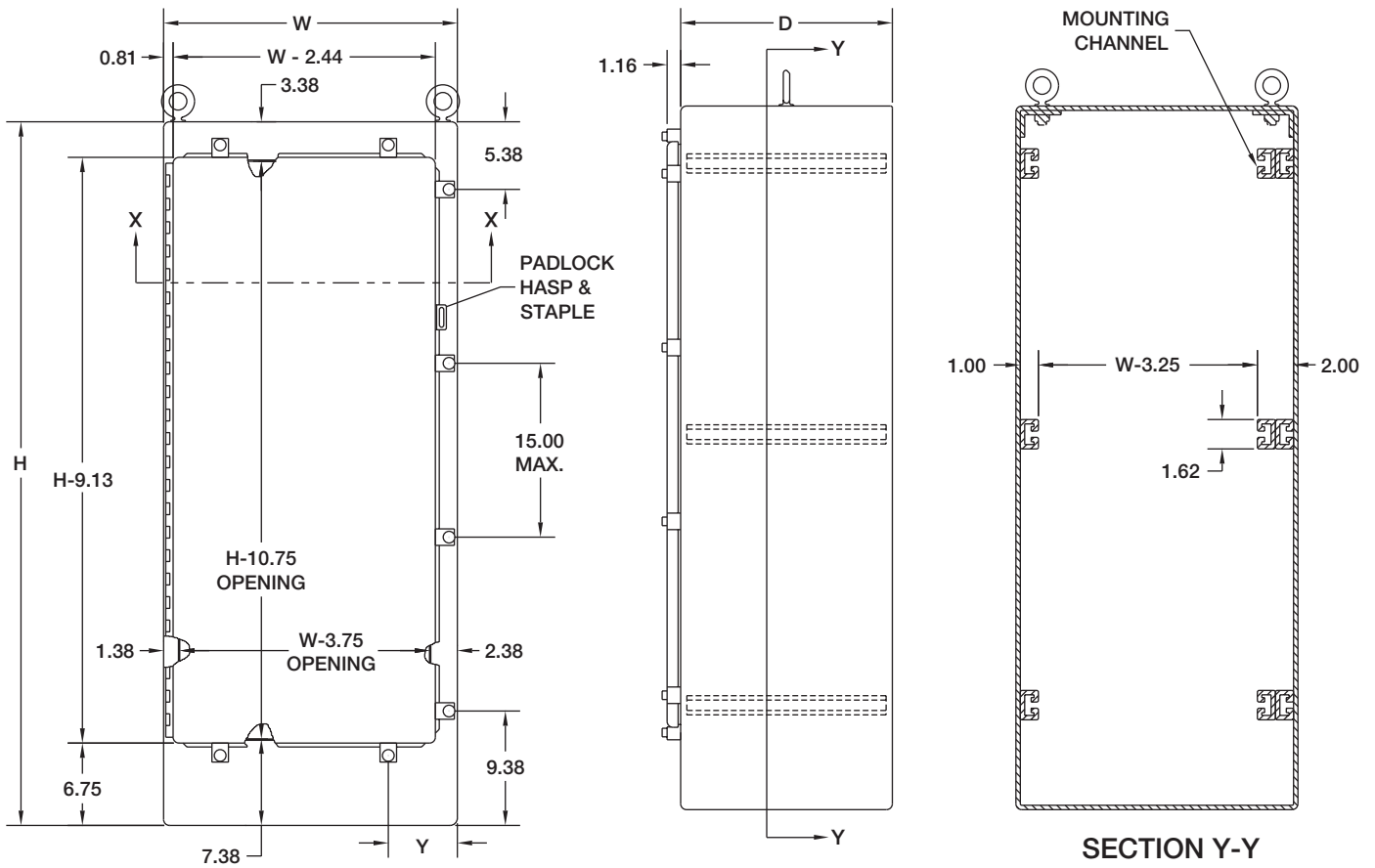
Accessories

- Back panels (reference tables)
- See pages J1-J19

N4S-FS SERIES SINGLE DOOR ENCLOSURES				
CATALOG NUMBER	BODY/DOOR STEEL GAUGE	ENCLOSURE SIZE H X W X D	Y	BACK PANELS*
N4S722518FS	12/12	72.12x25.12x18.12 (1832x638x460)	6.38 (162)	See pages C29-C31 & I7-I12
N4S723124FS	12/12	72.12x31.12x24.12 (1832x790x613)	8.38 (213)	
N4S723724FS	12/12	72.12x37.12x24.12 (1832x943x613)	10.38 (264)	

*Back panels must be ordered separately.



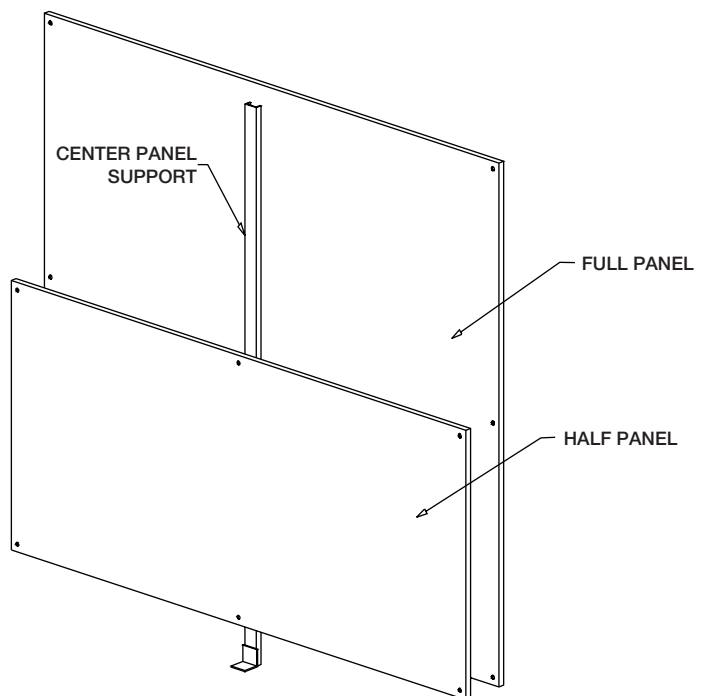
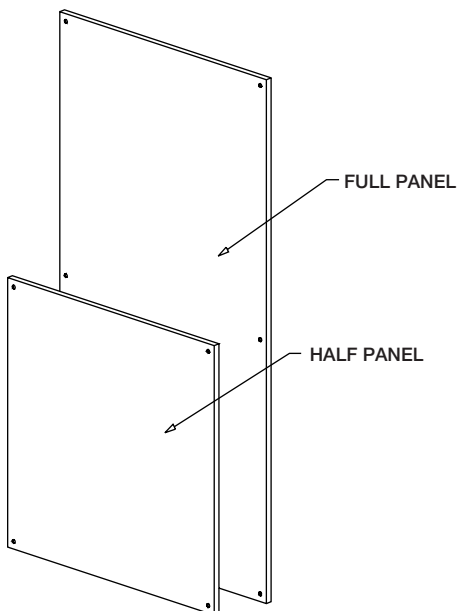


REGULAR PANELS ONLY (FULL & HALF) NEMA 12 SINGLE DOOR		
CATALOG NUMBER	STEEL GAUGE	PANEL SIZE A X B
WA60P24F1	12	48.00x20.00 (1219x508)
WA60P24F2	12	24.88x20.00 (632x508)
WA72P24F1	12	60.00x20.00 (1524x508)
WA72P24F2	12	30.88x20.00 (784x508)
WA90P24F1	12	78.00x20.00 (1981x508)
WA90P24F2	12	39.88x20.00 (1013x508)
WA72P30F1	12	60.00x26.00 (1524x660)
WA72P30F2	12	30.88x26.00 (784x660)
WA60P36F1	12	48.00x32.00 (1219x813)
WA60P36F2	12	24.88x32.00 (632x813)
WA72P36F1	12	60.00x32.00 (1524x813)
WA72P36F2	12	30.88x32.00 (784x813)
WA90P36F1	12	78.00x32.00 (1981x813)
WA90P36F2	12	39.88x32.00 (1013x813)

REGULAR PANELS ONLY (FULL & HALF) NEMA 12 TWO DOOR		
CATALOG NUMBER	STEEL GAUGE	PANEL SIZE A X B
WA60P48F1	10	48.00x44.00 (1219x1118)
WA60P48F2	10	24.88x44.00 (632x1118)
WA72P48F1	10	60.00x44.00 (1524x1118)
WA72P48F2	10	30.88x44.00 (784x1118)
WA72P60F1	10	60.00x56.00 (1524x1422)
WA72P60F2	10	30.88x56.00 (784x1422)
WA72P72F1	10	60.00x68.00 (1524x1727)
WA72P72F2	10	30.88x68.00 (784x1727)
WA90P48F1	10	78.00x44.00 (1981x1118)
WA90P48F2	10	39.88x44.00 (1013x1118)
WA90P72F1	10	78.00x68.00 (1981x1727)
WA90P72F2	10	39.88x68.00 (1013x1727)

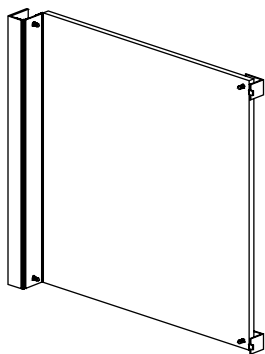
NOTE: If used in a Two Door Enclosure, a center panel support must be ordered.

NOTE: Center Panel support is supplied with a regular Two Door Enclosure Panel. This support is used only as a brace. It is not intended to be used as a support for Single Door Panels, relay racks, etc.



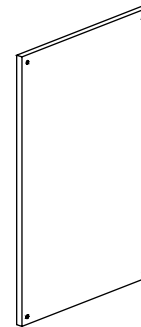
SWING OUT PANELS ONLY (FULL & HALF) NEMA 12 SINGLE DOOR		
CATALOG NUMBER	STEEL GAUGE	PANEL SIZE A X B
WA60SP24F3	12	48.00x19.00 (1219x483)
WA60SP24F4	12	24.88x19.00 (632x483)
WA72SP24F3	12	60.00x19.00 (1524x483)
WA72SP24F4	12	30.88x19.00 (784x483)
WA72SP30F3	12	60.00x25.00 (1524x635)
WA72SP30F4	12	30.88x25.00 (784x635)
WA60SP36F3	12	48.00x31.00 (1219x787)
WA60SP36F4	12	24.88x31.00 (632x787)
WA72SP36F3	12	60.00x31.00 (1524x787)
WA72SP36F4	12	30.88x31.00 (784x787)
WA90SP36F3	12	78.00x31.00 (1981x787)
WA90SP36F4	12	39.88x31.00 (1013x787)

NOTE: If used in a Two Door Enclosure, a center panel support must be ordered.



WA60SP24F3

SIDE MOUNT PANELS FOR SINGLE OR DOUBLE DOORS		
CATALOG NUMBER	STEEL GAUGE	PANEL SIZE A X B
WA60SMP14	12	48.00x14.00 (1219x356)
WA72SMP14	12	60.00x14.00 (1524x356)
WA72SMP20	12	60.00x20.00 (1524x508)
WA90SMP14	12	78.00x14.00 (1981x356)
WA90SMP20	12	78.00x20.00 (1981x508)



WA60SMP14

CENTER PANEL SUPPORTS	
CATALOG NUMBER	DESCRIPTION
WA60FSCPS	Center panel support for 60" high enclosures
WA72FSCPS	Center panel support for 72" high enclosures
WA90FSCPS	Center panel support for 90" high enclosures

CLAMP NUTS	
CATALOG NUMBER	DESCRIPTION
WAPS1420CN	Clamp nut for unistrut
WAPS3816CN	Clamp nut for unistrut
WA1032N	Clamp nuts for Type (RA) Relay Rack Angles

RELAY RACK ANGLES (FULL OR HALF) SINGLE DOOR		
CATALOG NUMBER	STEEL GAUGE	LENGTH "L"
WA60RP24F5	10	49.00 (1245)
WA60RP24F6	10	26.25 (667)
WA72RP24F5	10	61.25 (1556)
WA72RP24F6	10	31.50 (800)
WA72RP30F5	10	61.25 (1556)
WA72RP30F6	10	31.50 (800)
WA90RP24F5	10	78.75 (2000)
WA90RP24F6	10	40.25 (1022)

SWING OUT RACK MOUNTING FRAMES			
CATALOG NUMBER	FITS ENCLOSURE H X W	RACK SIZE	ANGLE LENGTH "T"
WA7230SOF19	72.00x30.00 (1829x762)	19.00 (483)	57.88 (1470)
WA7236SOF19	72.00x36.00 (1829x914)	19.00 (483)	57.88 (1470)
WA9036SOF19	90.00x36.00 (2286x914)	19.00 (483)	75.38 (1915)

NOTE: If used in a Two Door Enclosure, a center panel support must be ordered.

RELAY RACK ANGLES WITH THRU HOLES (TYPE RA)			
CATALOG NUMBER	FITS ENCLOSURE H X W	RACK SIZE	ANGLE LENGTH "L"
WA60RA19TH	60.00x24.00 (1524x610)	19.00 (483)	49.00 (1245)
WA72RA19TH	72.00x24.00 (1829x610)	19.00 (483)	61.25 (1556)
WA72RA24TH	72.00x30.00 (1829x762)	24.00 (610)	61.25 (1556)
WA90RA19TH	90.00x24.00 (2286x610)	19.00 (483)	78.78 (2001)

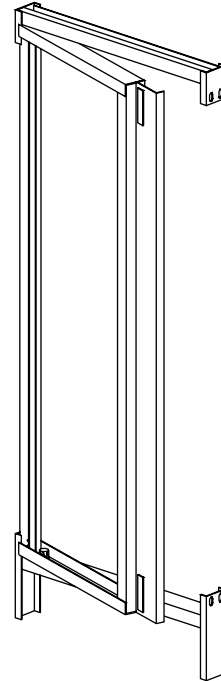
NOTE: If used in a Two Door Enclosure, a center panel support must be ordered.



WA60RP24F5



WA60RA19TH



WA7230SOF19

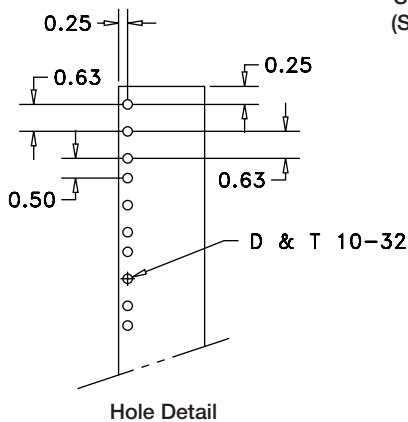
FEATURES-SPECIFICATIONS

Description

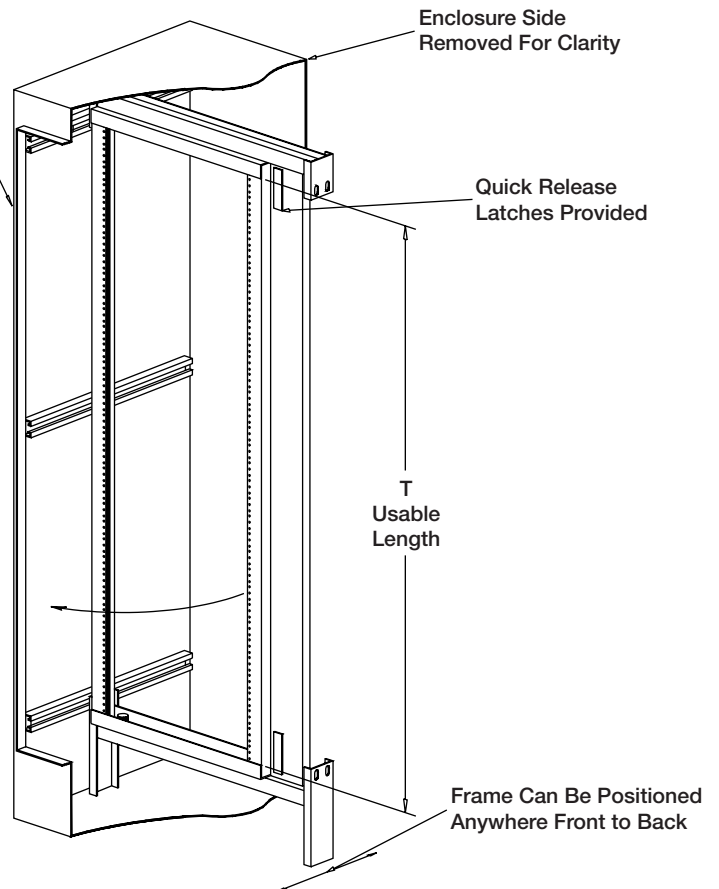
- Fabricated from 10 gauge steel, these swing-out rack mounting frames are available for mounting rack mounting equipment. Mounting holes are tapped with #10-32 threads spaced per E.I.A. standard
- Panels are painted with a white polyester powder

SWING-OUT RACKS FOR FREESTANDING ENCLOSURES			
CATALOG NUMBER	FITS ENCLOSURE H X W	RACK SIZE	USABLE ANGLE LENGTH "T"
WA7230SOF19	72.00x30.00 (1829x762)	19.00 (483)	57.88 (1470)
WA7236SOF19	72.00x36.00 (1829x914)	19.00 (483)	57.88 (1470)
WA9036SOF19	90.00x36.00 (2286x914)	19.00 (483)	75.38 (1915)

NOTE: If used in a Two Door Enclosure, a center panel support must be ordered.



Typical Freestanding Single Door Enclosure (Single Access Shown)



FEATURES-SPECIFICATIONS

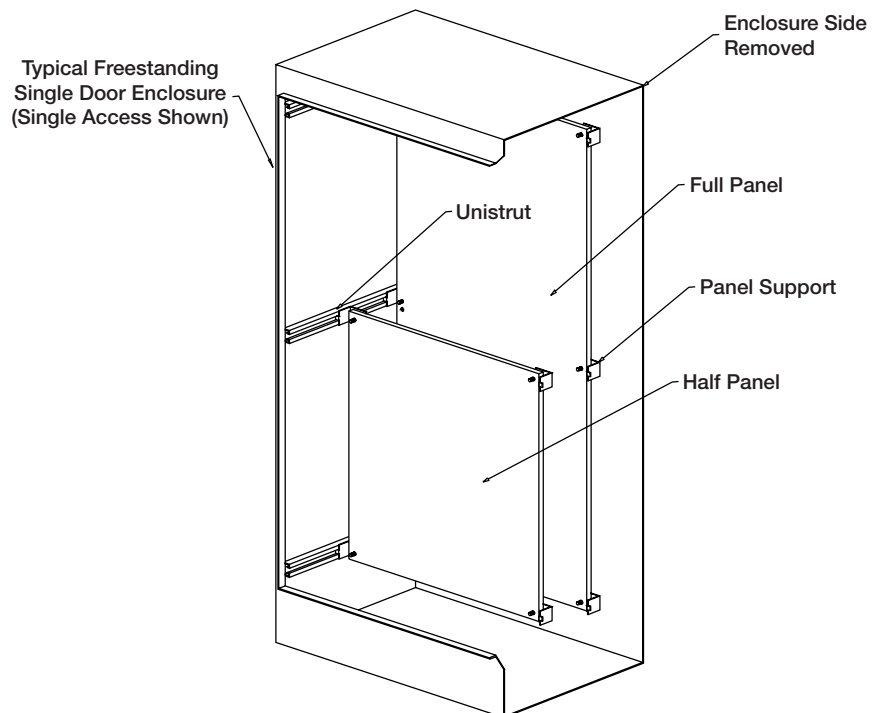
Description

Panels for single-door single-access and single-door dual-access, freestanding NEMA 12, freestanding NEMA 4 and freestanding stainless steel enclosures.

- Panels are 10 or 12 gauge steel and can be positioned anywhere along horizontal depth-wise mounting channels
- Half-length panels can be located in the upper or lower portion of the enclosure
- Mounting hardware is furnished with each panel
- Panels are painted with a white polyester powder
- Panels may be used in two-door enclosures along with other free-standing accessories

BACK PANELS FOR SINGLE DOOR FREESTANDING ENCLOSURES			
CATALOG NUMBER	STEEL GAUGE	PANEL SIZE A X B	PANEL TYPE
WA60P24F1	12	48.00x20.00 (1219x508)	Full
WA60P24F2	12	24.88x20.00 (632x508)	Half
WA72P24F1	12	60.00x20.00 (1524x508)	Full
WA72P24F2	12	30.88x20.00 (784x508)	Half
WA90P24F1	12	78.00x20.00 (1981x508)	Full
WA90P24F2	12	39.88x20.00 (1013x508)	Half
WA72P30F1	12	60.00x26.00 (1524x660)	Full
WA72P30F2	12	30.88x26.00 (784x660)	Half
WA60P36F1	12	48.00x32.00 (1219x813)	Full
WA60P36F2	12	24.88x32.00 (632x813)	Half
WA72P36F1	12	60.00x32.00 (1524x813)	Full
WA72P36F2	12	30.88x32.00 (784x813)	Half
WA90P36F1	12	78.00x32.00 (1981x813)	Full
WA90P36F2	12	39.88x32.00 (1013x813)	Half

NOTE: If used in a Two Door Enclosure, a center panel support must be ordered.
NOTE: Suffix F1 = Full Panel, and F2 = Half Panel.



FEATURES-SPECIFICATIONS
Description

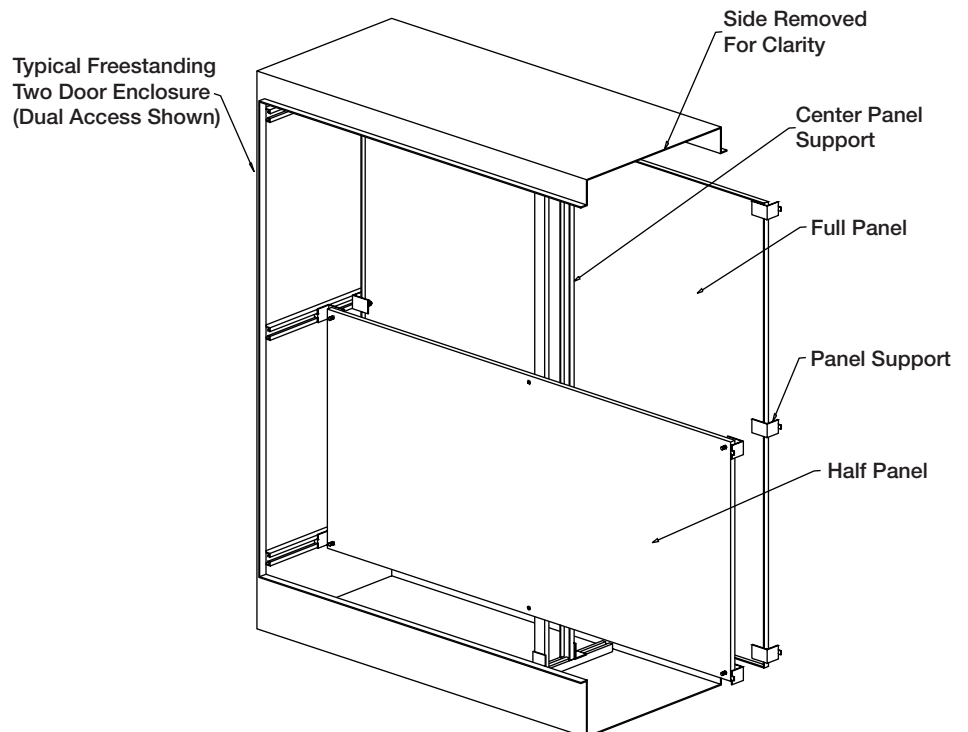
Panels for two-door single-access and two-door dual-access Free-standing NEMA 12 enclosures.

- Panels are 10 gauge steel and can be positioned anywhere along horizontal depth-wise mounting channels
- Half-length panels can be located in the upper or lower portion of the enclosure
- Mounting hardware is furnished with each panel
- Panels are painted with a white polyester powder

BACK PANELS FOR TWO DOOR FREESTANDING ENCLOSURES			
CATALOG NUMBER	STEEL GAUGE	PANEL SIZE A X B	PANEL TYPE
WA60P48F1	10	48.00x44.00 (1219x1118)	Full
WA60P48F2	10	24.88x44.00 (632x1118)	Half
WA72P48F1	10	60.00x44.00 (1524x1118)	Full
WA72P48F2	10	30.88x44.00 (784x1118)	Half
WA72P60F1	10	60.00x56.00 (1524x1422)	Full
WA72P60F2	10	30.88x56.00 (784x1422)	Half
WA72P72F1	10	60.00x68.00 (1524x1727)	Full
WA72P72F2	10	30.88x68.00 (784x1727)	Half
WA90P48F1	10	78.00x44.00 (1981x1118)	Full
WA90P48F2	10	39.88x44.00 (1013x1118)	Half
WA90P72F1	10	78.00x68.00 (1981x1727)	Full
WA90P72F2	10	39.88x68.00 (1013x1727)	Half

NOTE: Center Panel support is supplied with a regular Two Door Enclosure Panel. This support is used only as a brace. It is not intended to be used as a support for Single Door Panels, relay racks, etc.

NOTE: Suffix F1 = Full Panel, and F2 = Half Panel.



FEATURES-SPECIFICATIONS

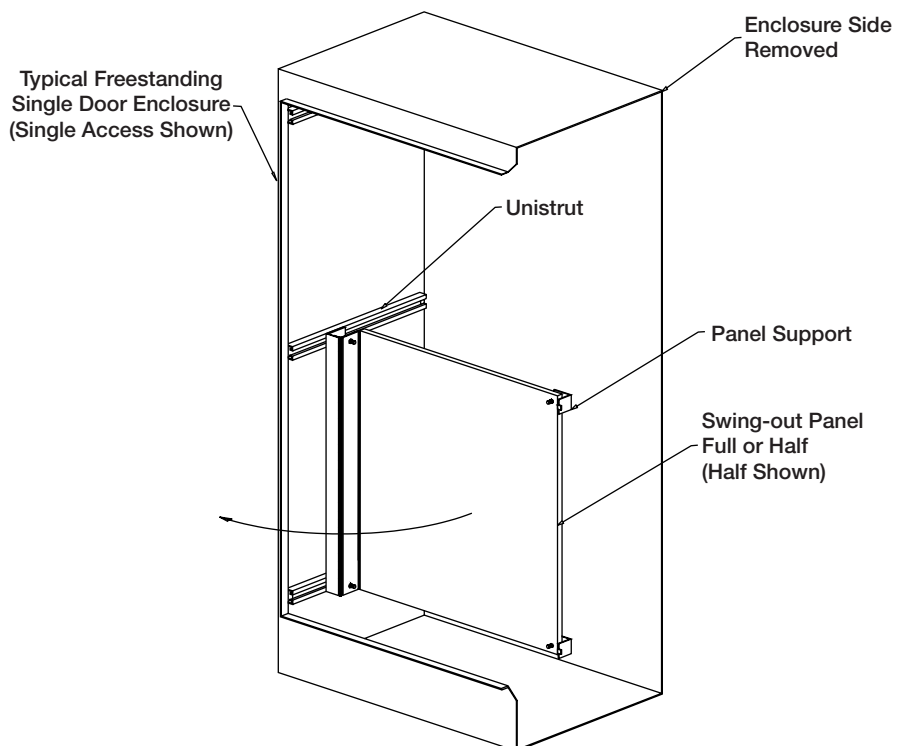
Description

Panels for Free Standing NEMA 12 Enclosures and Free Standing NEMA 4 Enclosures.

- Full-length and half-length swing-out panels are available
- Half-length panels can be located in the upper or lower portion of the enclosures
- Mounting can be on either side of the enclosure
- Mounting hardware is furnished with each panel
- Panels are fabricated from 12 gauge steel
- Panels may be used in two-door enclosures along with other free-standing accessories
- Panels are painted with a white polyester powder

SWING-OUT PANELS FOR FREESTANDING ENCLOSURES			
CATALOG NUMBER	STEEL GAUGE	PANEL SIZE A X B	PANEL TYPE
WA60SP24F3	12	48.00x19.00 (1219x483)	Full
WA60SP24F4	12	24.88x19.00 (632x483)	Half
WA72SP24F3	12	60.00x19.00 (1524x483)	Full
WA72SP24F4	12	30.88x19.00 (784x483)	Half
WA72SP30F3	12	60.00x25.00 (1524x635)	Full
WA72SP30F4	12	30.88x25.00 (784x635)	Half
WA60SP36F3	12	48.00x31.00 (1219x787)	Full
WA60SP36F4	12	24.88x31.00 (632x787)	Half
WA72SP36F3	12	60.00x31.00 (1524x787)	Full
WA72SP36F4	12	30.88x31.00 (784x787)	Half
WA90SP36F3	12	78.00x31.00 (1981x787)	Full
WA90SP36F4	12	39.88x31.00 (1013x787)	Half

NOTE: If used in a Two Door Enclosure, a center panel support must be ordered.
NOTE: Suffix F3 = Full Panel, and F4 = Half Panel.

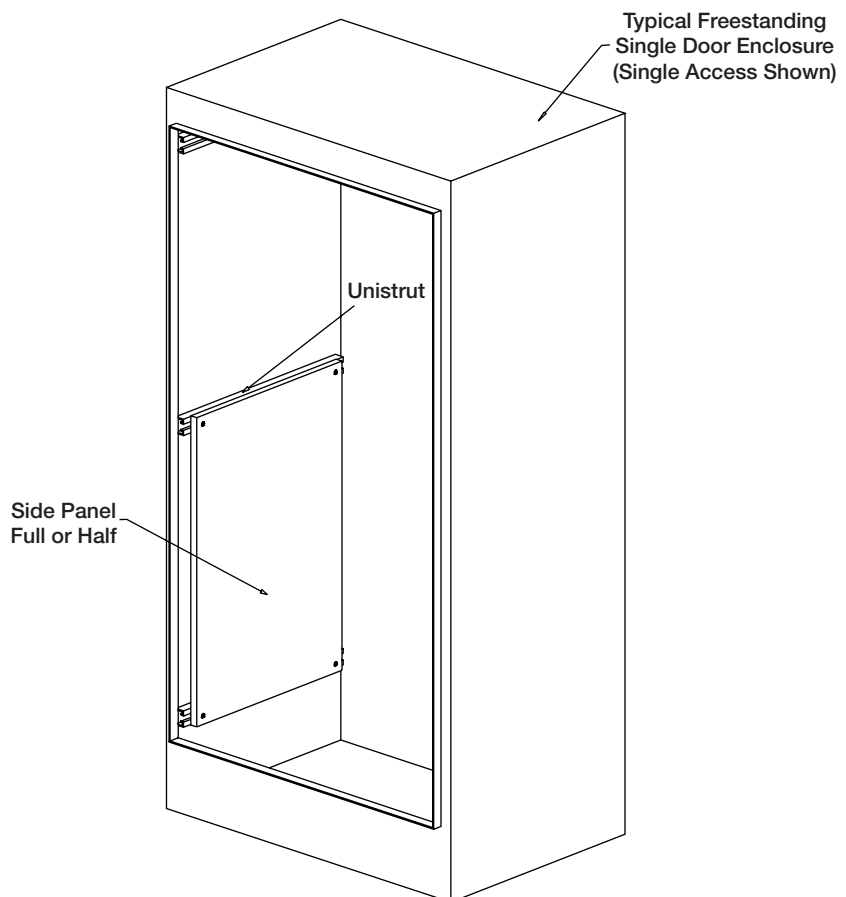


FEATURES-SPECIFICATIONS
Description

Panels for Freestanding NEMA 12 and Freestanding NEMA 4 Enclosures.

- Panels are fabricated from 12 gauge steel
- They provide extra mounting space on the sides of the enclosures
- Panels attach securely to mounting channels
- Panel mounting hardware is included
- Panels are painted with a white polyester powder

SIDE-MOUNT PANELS FOR FREESTANDING ENCLOSURES		
CATALOG NUMBER	STEEL GAUGE	PANEL SIZE A X B
WA60SMP14	12	48.00x14.00 (1219x356)
WA72SMP14	12	60.00x14.00 (1524x356)
WA72SMP20	12	60.00x20.00 (1524x508)
WA90SMP14	12	78.00x14.00 (1981x356)
WA90SMP20	12	78.00x20.00 (1981x508)



FEATURES-SPECIFICATIONS

Type RP

For Free Standing NEMA 12 Enclosures

- Fabricated from 10 gauge steel
- Full-length or half-length rack mounting angles are available for mounting rack-mounted equipment
- If used in Two-Door Enclosures **a center panel support must be ordered**
- Finish is a white polyester powder

Type RA

For all Free Standing NEMA 12 and NEMA 4 Enclosures

- Designed for mounting 19 inch and 24 inch rack mounted equipment
- Through holes (7/32 Dia.) are provided and require a W1032N clip nut (must be ordered separately)
- Rack angles are mounted on unistrut within the Free Standing enclosures and are adjustable
- If used in Two-Door Enclosures **a center panel support must be ordered**
- Finish is a white polyester powder

RELAY RACK ANGLES		
CATALOG NUMBER	STEEL GAUGE	LENGTH "L"
WA60RP24F5	10	49.00 (1245)
WA60RP24F6	10	26.25 (667)
WA72RP24F5	10	61.25 (1556)
WA72RP24F6	10	31.50 (800)
WA72RP30F5	10	61.25 (1556)
WA72RP30F6	10 </td <td>31.50 (800)</td>	31.50 (800)
WA90RP24F5	10	78.75 (2000)
WA90RP24F6	10	40.25 (1022)

WA-RA RELAY RACK ANGLES			
CATALOG NUMBER	FITS ENCLOSURE H X W	RACK SIZE	ANGLE LENGTH "L"
WA60RA19TH	60.00x24.00 (1524x610)	19.00 (483)	49.00 (1245)
WA72RA19TH	72.00x24.00 (1829x610)	19.00 (483)	61.25 (1556)
WA72RA24TH	72.00x30.00 (1829x762)	24.00 (610)	61.25 (1556)
WA90RA19TH	90.00x24.00 (2286x610)	19.00 (483)	78.78 (2001)

NOTE: If used in a Two Door Enclosure, a center panel support must be ordered.

