

ENGINEERING CATALOG 2009

Enclosures For Electrical/Electronic Equipment



INDUSTRIAL



COMMERCIAL



CONTRACTOR

WIEGMANN®

www.hubbell-wiegmann.com





INNOVATIVE THINKING HAS MADE US AN INDUSTRY LEADER.

At Hubbell Wiegmann, becoming a leader in the electrical/electronic enclosures industry didn't happen overnight. We earned this leadership position since being in business from 1928 and having extensive experience in manufacturing electrical enclosures for the OEM, commercial construction and MRO markets. Today, the Hubbell Wiegmann name has become synonymous with traditional NEMA enclosures, JIC enclosures, non-metallic enclosures, stainless steel enclosures, aluminum enclosures and wireway systems.

Our innovative products constantly meet and exceed industry expectations thanks in part to the financial support of Hubbell. They've committed millions of dollars in manufacturing improvements since they acquired the company from the Wiegmann family in 1993. This has helped us provide one of the most complete industrial enclosure packages in North America. We believe that's something to be proud of.

So, whether it's a standard product or modified enclosures, you can be sure that Hubbell Wiegmann has exactly what you need. We would also like to thank you for seven decades of loyalty as we continue to provide unique products and dependable service.

We're Hubbell Wiegmann. We build the best electrical enclosures in the industry. And it's been that way since 1928.

All data within this catalog is subject to change without notice.


N412-CD ULTIMATE SERIES ENCLOSURES NEMA 412 FLANGED SINGLE DOOR DISCONNECT

(CARBON AND STAINLESS STEEL)



Industry Standards

UL 508, Types 12, 13, 4 & 4X
CSA Certified, Type 12, 13, 4 & 4X
NEMA/EEMAC Types 12, 13, 4 & 4X
JIC EL-1-71

 UL Files E64791

 CSA File LL66078

FEATURES-SPECIFICATIONS

Applications

Designed to house the following:

- **Allen-Bradley** Bulletin 1494V disconnect switches with flange-mounted variable depth operating mechanisms and Bulletin 1494V flange-mounted variable depth operating mechanisms for circuit breakers

These enclosures will not accept Allen-Bradley Bulletin 1494F disconnect devices or Bulletin 1494D circuit breaker operators.

- **ABB Controls** flange-mounted variable depth operating mechanisms for disconnect switches and circuit breakers
- **Cutler-Hammer/Westinghouse** Type C361 flange-mounted variable depth operating mechanisms with disconnect switches and Type C371 flange-mounted variable depth operating mechanisms for circuit breakers. Also Flex Shaft™ handle mechanisms for circuit breakers
- **General Electric** Type STDA flange handles and variable depth operating mechanisms for disconnect switches and circuit breakers. Also Spectra Flex™ cable operators for circuit breakers
- **I-T-E** Max-Flex flange-mounted variable depth operating handle for disconnect switches and circuit breakers as well as some fixed depth operators for disconnect switches

- **Square D** Class 9422 disconnect switches with flange-mounted variable depth operating mechanisms or cable mechanisms and Class 9422 flange-mounted variable depth operating mechanisms or cable mechanisms for circuit breakers.

These enclosures will not accept Square D Class 9422 bracket-mounted disconnect devices, Class 9422TGI, or TG2 devices

Construction

- CD enclosure version bodies and doors fabricated from 14 gauge carbon steel
- CDSS enclosure version bodies and doors fabricated from 14 gauge 304 stainless steel
- Continuously plasma welded seams
- Increased tub opening for better access
- Concealed hinges
- Doors are interchangeable and easily removable
- Ground stud located in door
- Doors are sealed with poured-in-place polyurethane gasket
- Mounting holes in rear of enclosure
- Studs for mounting optional sub panel
- Door latching system installed on door with a slotted insert defeater mechanism to open
- Latching system interlocks with the disconnect handle for added safety

- 2pt latch system up to 36" in height and 3pt latch system on enclosures 42" and higher

Finish

- ANSI 61 gray polyester powder inside and out over phosphatized surfaces
- Stainless steel enclosures #4 brush finish
- **Optional** back panels are white polyester powder over phosphatized surfaces

Accessories

- Back panels (reference tables)
- Blank Adapter Plates on pages F57 and J12

IMPORTANT

- Disconnect switch or circuit breakers, operating handle and operating mechanism are not furnished with enclosure and must be ordered separately from the disconnect manufacturer
- Operator adapter plates are not required with this enclosure
- Disconnect ordering information is located on page F5 in Engineering Catalog
- Review space occupied by disconnect drawing on page F4 and disconnect tables on pages F9-F15 to determine if the disconnect device you are using will fit the enclosure size you have selected


NEW PRODUCT

SDN12 SERIES ENCLOSURES NEMA 12 FLANGED SINGLE DOOR DISCONNECT



Industry Standards

UL 508, Types 12 & 13
CSA Certified, Type 12
NEMA/EEMAC Types 12 & 13
JIC EL-1-71

 UL Files E64791

 CSA File LL66078

FEATURES-SPECIFICATIONS

Applications

Designed to house the following:

- **Allen-Bradley** Bulletin 1494V disconnect switches with flange-mounted variable depth operating mechanisms and Bulletin 1494V flange-mounted variable depth operating mechanisms for circuit breakers

These enclosures will not accept Allen-Bradley Bulletin 1494F disconnect devices or Bulletin 1494D circuit breaker operators.

- **ABB Controls** flange-mounted variable depth operating mechanisms for disconnect switches and circuit breakers
- **Cutler-Hammer/Westinghouse** Type C361 flange-mounted variable depth operating mechanisms with disconnect switches and Type C371 flange-mounted variable depth operating mechanisms for circuit breakers. Also Flex Shaft™ handle mechanisms for circuit breakers
- **General Electric** Type STDA flange handles and variable depth operating mechanisms for disconnect switches and circuit breakers. Also Spectra Flex™ cable operators for circuit breakers
- **I-T-E** Max-Flex flange-mounted variable depth operating handle for disconnect switches and circuit breakers as well as some fixed depth operators for disconnect switches
- **Square D** Class 9422 disconnect switches with flange-mounted variable depth operating mechanisms or cable

mechanisms and Class 9422 flange-mounted variable depth operating mechanisms or cable mechanisms for circuit breakers.

These enclosures will not accept Square D Class 9422 bracket-mounted disconnect devices, Class 9422TGI, or TG2 devices

Construction

- Bodies and doors fabricated from 14 gauge steel
- Plasma welded seams
- Rolled lip around all sides of enclosure opening excludes liquids and contaminants
- Doors easily removed by pulling continuous hinge pin
- Polyurethane poured-in-place gasket
- External mounting feet
- Collar studs for mounting **optional** back panel
- Ground stud located in door
- Holes are provided in body and door for mounting operating handle, operating mechanism, and door closing mechanism
- Guide brackets and interlock door catch are welded to the inside of door
- A cover latch bar is also included for door hardware
- Print pocket is provided
- Enclosures under 40" high require 2-point door hardware
- Enclosures 40" high and larger require 3-point door hardware

- Instructions to locate and install disconnect switches, circuit breakers, and operating mechanisms is provided
- Enclosures available with or without padlocking, defeater handle and latching system

Finish

- ANSI 61 gray polyester powder inside and out over phosphatized surfaces
- **Optional** back panels are white polyester powder over phosphatized surfaces

Accessories

- Back panels (reference tables)
- See pages J1-J19
- Blank Adapter Plates on pages F57 and J12

IMPORTANT

- Disconnect switch or circuit breakers, operating handle, operating mechanism, and door hardware are not furnished with enclosure and must be ordered separately from the disconnect manufacturer
- Operator adapter plates are not required with this enclosure
- Disconnect and door hardware ordering information is located on page F5 in Engineering Catalog
- Review space occupied by disconnect drawing on page F4 and disconnect tables on pages F9-F15 to determine if the disconnect device you are using will fit the enclosure size you have selected
- Handle and latching hardware on models ending in "PL"

SDN12 SERIES ENCLOSURES NEMA 12 FLANGED SINGLE DOOR DISCONNECT

NEW PRODUCT

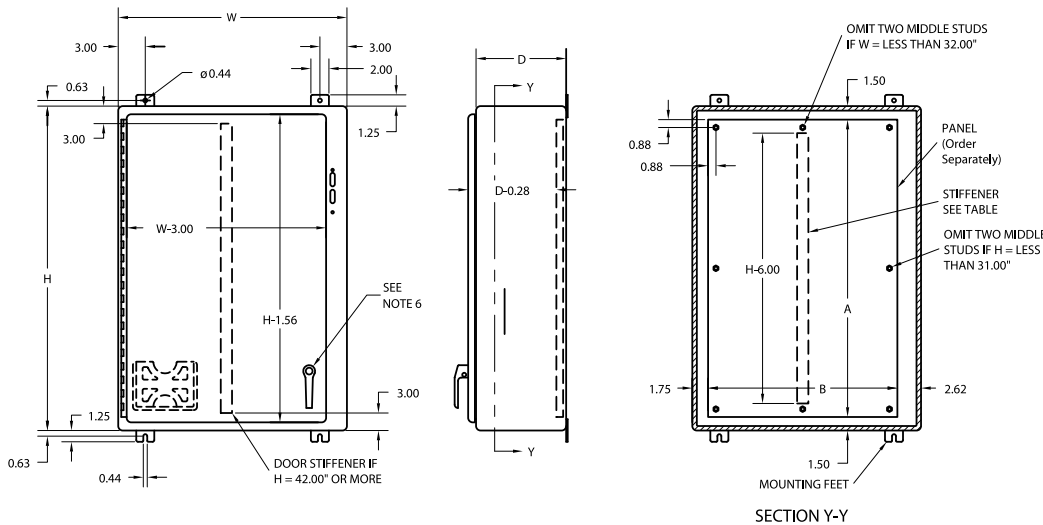
SDN12 SERIES WALL-MOUNT DISCONNECTS								
CATALOG NUMBER		BODY/DOOR STEEL GAUGE	ENCLOSURE SIZE H X W X D	BACK PANEL CAT. NO.*	BACK PANEL SIZE A X B	STIFFENER		
WITH HANDLE	WITHOUT HANDLE					DOOR	BODY	
SDN12202108PL	SDN12202108	14/14	20.00x21.38x8.13 (508x543x206)	NP2020	17.00x17.00 (432x432)	No	No	
SDN12242108PL	SDN12242108	14/14	24.00x21.38x8.13 (610x543x206)	NP2420	21.00x17.00 (533x432)	No	No	
SDN12242508PL	SDN12242508	14/14	24.00x25.38x8.13 (610x645x206)	NP2424	21.00x21.00 (533x533)	No	No	
SDN12302108PL	SDN12302108	14/14	30.00x21.38x8.13 (762x543x206)	NP3020	27.00x17.00 (686x432)	No	No	
SDN12302508PL	SDN12302508	14/14	30.00x25.38x8.13 (762x645x206)	NP3024	27.00x21.00 (686x533)	No	No	
SDN12362508PL	SDN12362508	14/14	36.00x25.38x8.13 (914x645x206)	NP3624	33.00x21.00 (838x533)	No	No	
SDN12363108PL	SDN12363108	14/14	36.00x31.38x8.13 (914x797x206)	NP3630	33.00x27.00 (838x686)	No	Yes	
SDN12423208PL	SDN12423208	14/14	42.00x31.38x8.13 (1067x797x206)	NP4230	39.00x27.00 (991x686)	Yes	Yes	
SDN12423708PL	SDN12423708	14/14	42.00x37.38x8.13 (1067x949x206)	NP4236	39.00x33.00 (991x838)	Yes	Yes	
SDN12483708PL***	SDN12483708***	14/14	48.00x37.38x8.13 (1219x949x206)	NP4836	45.00x33.00 (1143x838)	Yes	Yes	
SDN12603808PL***	SDN12603808***	14/14	60.00x37.38x8.13 (1524x949x207)	NP6036	57.00x33.00 (1448x838)	Yes	Yes	
SDN12202110PL	SDN12202110	14/14	20.00x21.38x10.25 (508x543x257)	NP2020	17.00x17.00 (432x432)	No	No	
SDN12242110PL	SDN12242110	14/14	24.00x21.38x10.25 (610x543x257)	NP2420	21.00x17.00 (533x432)	No	No	
SDN12242510PL	SDN12242510	14/14	24.00x25.38x10.25 (610x645x257)	NP2424	21.00x21.00 (533x533)	No	No	
SDN12302110PL	SDN12302110	14/14	30.00x21.38x10.25 (762x543x257)	NP3020	27.00x17.00 (686x432)	No	No	
SDN12302510PL	SDN12302510	14/14	30.00x25.38x10.25 (762x645x257)	NP3024	27.00x21.00 (686x533)	No	No	
SDN12362510PL	SDN12362510	14/14	36.00x25.38x10.25 (914x645x257)	NP3624	33.00x21.00 (838x533)	No	No	
SDN12363110PL	SDN12363110	14/14	36.00x31.38x10.25 (914x797x257)	NP3630	33.00x27.00 (838x686)	No	Yes	
SDN12423110PL	SDN12423110	14/14	42.00x31.38x10.25 (1067x797x257)	NP4230	39.00x27.00 (991x686)	Yes	Yes	
SDN12423710PL	SDN12423710	14/14	42.00x37.38x10.25 (1067x949x257)	NP4236	39.00x33.00 (991x838)	Yes	Yes	
SDN12483710PL***	SDN12483710***	14/14	48.00x37.38x10.25 (1219x949x257)	NP4836	45.00x33.00 (1143x838)	Yes	Yes	
SDN12603710PL***	SDN12603710***	14/14	60.00x37.38x10.25 (1524x949x257)	NP6036	57.00x33.00 (1448x838)	Yes	Yes	
SDN12302612PL	SDN12302612	14/14	30.00x25.38x12.13 (762x645x308)	NP3024	27.00x21.00 (686x533)	No	No	
SDN12363212PL	SDN12363212	14/14	36.00x31.38x12.13 (914x797x308)	NP3630	33.00x27.00 (838x686)	No	Yes	
SDN12423212PL	SDN12423212	14/14	42.00x31.38x12.13 (1067x797x308)	NP4230	39.00x27.00 (991x686)	Yes	Yes	
SDN12423812PL	SDN12423812	14/14	42.00x37.38x12.13 (1067x949x308)	NP4236	39.00x33.00 (991x838)	Yes	Yes	
SDN12483812PL***	SDN12483812***	14/14	48.00x37.38x12.13 (1219x949x308)	NP4836	45.00x33.00 (1143x838)	Yes	Yes	
SDN12603812PL***	—	14/14	60.00x37.38x12.13 (1524x949x308)	NP6036	57.00x33.00 (1448x838)	Yes	Yes	
SDN12603812APL***	SDN12603812A***	14/14	60.00x37.38x12.13 (1524x949x308)	NP6036	57.00x33.00 (1448x838)	Yes	Yes	
SDN12363116PL	SDN12363116	14/14	36.00x31.38x16.13 (914x797x410)	NP3630	33.00x27.00 (838x686)	No	Yes	
SDN12483816PL***	SDN12483816***	14/14	48.00x37.38x16.13 (1219x949x410)	NP4836	45.00x33.00 (1143x838)	Yes	Yes	
SDN12603816PL***	SDN12603816***	14/14	60.00x37.38x16.13 (1524x949x410)	NP6036	57.00x33.00 (1448x838)	Yes	Yes	

* Back panels must be ordered separately.

** Enclosure catalog number SDN12603812A will receive only 400 amp and 600 amp Allen-Bradley 1494V disconnect switches and I-T-E Siemens 800 amp and 1200 amp circuit breakers. The 400 amp and 600 amp Allen-Bradley disconnect switch will not fit any other size enclosure from the SDN12 family. Blank Adapter plates will not fit catalog number SDN12603812A.

*** Enclosures are supplied with closed cell neoprene gasket (not foam-in-place)

Enclosures 12" and 16" deep can be modified to accept I-T-E Siemens 800 amp and 1200 amp circuit breakers. (When using an I-T-E Siemens circuit breaker and an enclosure with an "H" dimension of 30", 36" or 42", verify the amount of wire bend space required for both the line and load sides.) Consult factory for details.



- Notes:
1. Large print pocket (8" x 10") is provided in each enclosure
 2. Panels are made from 12 Ga. steel
 3. Panels have flanges along all sides when either dimension exceeds 17"
 4. Catalog number SDN12603812A has a larger cutout in the enclosure flange to accommodate the Allen-Bradley 1494V-H2 and I-T-E FHOHN operating handles.
 5. Enclosures under 40" high have 2-point door hardware and enclosures 40" high and larger have 3-point door hardware.
 6. The handle includes a zinc diecast padlocking defeater handle and all latching hardware is installed on disconnect enclosures ending in PL. Order separately for other disconnect enclosures.

**SC SERIES ENCLOSURES
NEMA 1 SCREW COVER WALL-MOUNT**



SC060604
with SCF cover



SC080806G



SC080806NK

Industry Standards

UL 50, Type 1
CSA Certified, Type 1 (See Note)
NEMA/EEMAC Type 1

UL Files E6924

CSA File LL66078

FEATURES-SPECIFICATIONS

Applications

Designed for use as a junction box and pull box in commercial and general industrial applications. Flush covers must be ordered separately for flush mount applications.

Construction

- Fabricated from 16, 14 and 12 gauge steel or G-90 pre-galvanized steel (reference table)
- Flat, removable covers fastened with plated steel screws

- Cover design permits easy removal without extracting cover screws
- Mounting holes on back of box
- Available with or without knockouts. Removable concentric knockouts on all four sides of standard enclosures with knockouts

Finish

- ANSI-61 gray polyester powder inside and out over phosphatized surfaces
- Unpainted pre-galvanized steel

Accessories

- See pages J1-J19

Optional Flush Covers

Designed to mount on enclosure for flush installations. 16 or 14 gauge steel (reference table).

- ANSI 61 gray polyester powder finish.
- Unpainted pre-galvanized steel

SC SERIES SCREW COVER PULL BOX ENCLOSURES								
CATALOG NUMBER				BODY/DOOR STEEL GAUGE	FLUSH COVER AVAILABLE (SEE PG. A5)	ENCLOSURE SIZE H+ ¹ / ₈ " , W+ ¹ / ₈ " , D+ ³ / ₁₆ "	KNOCKOUT PATTERN	
PAINTED		GALVANIZED					WIDTH SIDE	HEIGHT SIDE
W/KNOCKOUTS	W/O KNOCKOUTS	W/KNOCKOUTS	W/O KNOCKOUTS					
SC040404*	SC040404NK*	SC040404G*	SC040404GNK*	16/16	Yes	4.00x4.00x4.00 (102x102x102)	A	A
SC040604*	SC040604NK*	SC040604G*	SC040604GNK*	16/16	Yes	6.00x4.00x4.00 (152x102x102)	A	A-B-A
SC060604	SC060604NK	SC060604G	SC060604GNK	16/16	Yes	6.00x6.00x4.00 (152x152x102)	A-B-A	A-B-A
SC060804	SC060804NK	SC060804G	SC060804GNK	16/16	Yes	8.00x6.00x4.00 (203x152x102)	A-B-A	A-B-A
SC061204	SC061204NK	SC061204G	SC061204GNK	16/16	Yes	12.00x6.00x4.00 (305x152x102)	A-B-A	B-A-F-F-A-B
SC080804	SC080804NK	SC080804G	SC080804GNK	16/16	Yes	8.00x8.00x4.00 (203x203x102)	A-B-A	A-B-A
SC081004	SC081004NK	SC081004G	SC081004GNK	16/16	Yes	10.00x8.00x4.00 (254x203x102)	A-B-A	B-A-F-F-A
SC081204	SC081204NK	SC081204G	SC081204GNK	16/16	Yes	12.00x8.00x4.00 (305x203x102)	A-B-A	B-A-F-F-A-B
SC101004	SC101004NK	SC101004G	SC101004GNK	16/16	Yes	10.00x10.00x4.00 (254x254x102)	B-A-F-F-A	B-A-F-F-A
SC101204	SC101204NK	SC101204G	SC101204GNK	16/16	Yes	12.00x10.00x4.00 (305x254x102)	B-A-F-F-A	B-A-F-F-A-B
SC121204	SC121204NK	SC121204G	SC121204GNK	16/16	Yes	12.00x12.00x4.00 (305x305x102)	B-A-F-F-A-B	B-A-F-F-A-B
SC121504	SC121504NK	SC121504G	SC121504GNK	16/16	Yes	15.00x12.00x4.00 (381x305x102)	B-A-F-F-A-B	A-B-A-F-F-A-B-A

(+) All products, unless otherwise denoted by a (+), are: H+1/8", W+1/8", D+3/16"

Continued on page A3

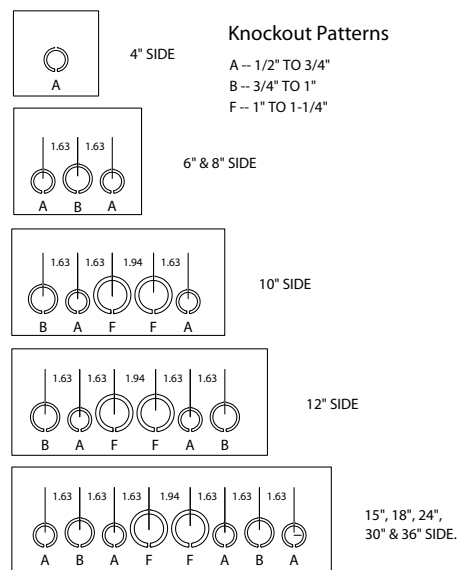
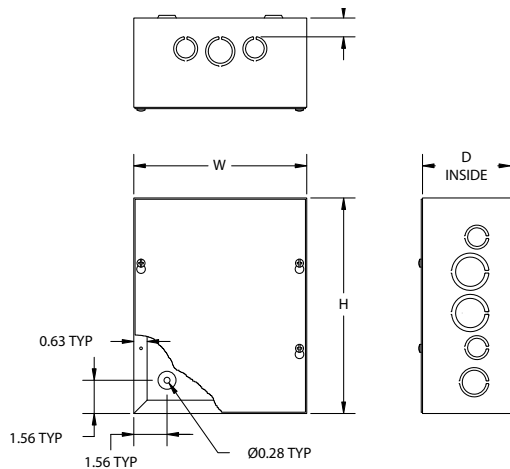
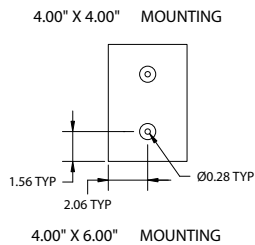
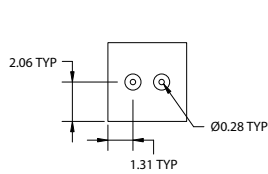
CATALOG NUMBER				BODY/DOOR STEEL GAUGE	FLUSH COVER AVAILABLE (SEE PG. A5)	ENCLOSURE SIZE H+1/8", W+1/8", D+3/16"	KNOCKOUT PATTERN	
PAINTED		GALVANIZED					WIDTH SIDE	HEIGHT SIDE
W/KNOCKOUTS	W/O KNOCKOUTS	W/KNOCKOUTS	W/O KNOCKOUTS					
SC121804	SC121804NK	SC121804G	SC121804GNK	16/16	Yes	18.00x12.00x4.00 (457x305x102)	B-A-F-F-A-B	A-B-A-F-F-A-B-A
SC122404	SC122404NK	SC122404G	SC122404GNK	16/16	Yes	24.00x12.00x4.00 (610x305x102)	B-A-F-F-A-B	A-B-A-F-F-A-B-A
SC151504	SC151504NK	SC151504G	SC151504GNK	16/16	Yes	15.00x15.00x4.00 (381x381x102)	A-B-A-F-F-A-B-A	A-B-A-F-F-A-B-A
SC151804	SC151804NK	SC151804G	SC151804GNK	16/16	Yes	18.00x15.00x4.00 (457x381x102)	A-B-A-F-F-A-B-A	A-B-A-F-F-A-B-A
SC181804	SC181804NK	SC181804G	SC181804GNK	16/16	Yes	18.00x18.00x4.00 (457x457x102)	A-B-A-F-F-A-B-A	A-B-A-F-F-A-B-A
SC182404	SC182404NK	SC182404G	SC182404GNK	16/16	Yes	24.00x18.00x4.00 (610x457x102)	A-B-A-F-F-A-B-A	A-B-A-F-F-A-B-A
SC183004	SC183004NK	SC183004G	SC183004GNK	16/16	Yes	30.00x18.00x4.00 (762x457x102)	A-B-A-F-F-A-B-A	A-B-A-F-F-A-B-A
SC242404	SC242404NK	SC242404G	SC242404GNK	14/14	Yes	24.00x24.00x4.00 (610x610x102)	A-B-A-F-F-A-B-A	A-B-A-F-F-A-B-A
SC060606	SC060606NK	SC060606G	SC060606GNK	16/16	Yes	6.00x6.00x6.00 (152x152x152)	A-B-A	A-B-A
SC060806	SC060806NK	SC060806G	SC060806GNK	16/16	Yes	8.00x6.00x6.00 (203x152x152)	A-B-A	A-B-A
SC061206	SC061206NK	SC061206G	SC061206GNK	16/16	Yes	12.00x6.00x6.00 (305x152x152)	A-B-A	B-A-F-F-A-B
SC080806	SC080806NK	SC080806G	SC080806GNK	16/16	Yes	8.00x8.00x6.00 (203x203x152)	A-B-A	A-B-A
SC081006	SC081006NK	SC081006G	SC081006GNK	16/16	Yes	10.00x8.00x6.00 (254x203x152)	A-B-A	B-A-F-F-A
SC081206	SC081206NK	SC081206G	SC081206GNK	16/16	Yes	12.00x8.00x6.00 (305x203x152)	A-B-A	B-A-F-F-A-B
SC101006	SC101006NK	SC101006G	SC101006GNK	16/16	Yes	10.00x10.00x6.00 (254x254x152)	B-A-F-F-A	B-A-F-F-A
SC101206	SC101206NK	SC101206G	SC101206GNK	16/16	Yes	12.00x10.00x6.00 (305x254x152)	B-A-F-F-A	B-A-F-F-A-B
SC121206	SC121206NK	SC121206G	SC121206GNK	16/16	Yes	12.00x12.00x6.00 (305x305x152)	B-A-F-F-A-B	B-A-F-F-A-B
SC121506	SC121506NK	SC121506G	SC121506GNK	16/16	Yes	15.00x12.00x6.00 (381x305x152)	B-A-F-F-A-B	A-B-A-F-F-A-B-A
SC121806	SC121806NK	SC121806G	SC121806GNK	16/16	Yes	18.00x12.00x6.00 (457x305x152)	B-A-F-F-A-B	A-B-A-F-F-A-B-A
SC122406	SC122406NK	SC122406G	SC122406GNK	16/16	Yes	24.00x12.00x6.00 (610x305x152)	B-A-F-F-A-B	A-B-A-F-F-A-B-A

Continued on page A4

*Not UL Listed.

Note: Must specify CSA Label when ordering.
Consult factory for dimensions and drawings on 8", 10" and 12" deep enclosures.

Note: 8", 10" and 12" deep enclosures do not have mounting embosses in back of enclosure, only mounting holes.



**SC SERIES ENCLOSURES
NEMA 1 SCREW COVER WALL-MOUNT**

SC SERIES SCREW COVER PULL BOX ENCLOSURES (CONT.)								
CATALOG NUMBER				BODY/DOOR STEEL GAUGE	FLUSH COVER AVAILABLE (SEE PG. A5)	ENCLOSURE SIZE H+1/8", W+1/8", D+3/16"	KNOCKOUT PATTERN	
PAINTED		GALVANIZED					WIDTH SIDE	HEIGHT SIDE
W/KNOCKOUTS	W/O KNOCKOUTS	W/KNOCKOUTS	W/O KNOCKOUTS					
SC151506	SC151506NK	SC151506G	SC151506GNK	16/16	Yes	15.00x15.00x6.00 (381x381x152)	A-B-A-F-F-A-B-A	A-B-A-F-F-A-B-A
SC151806	SC151806NK	SC151806G	SC151806GNK	16/16	Yes	18.00x15.00x6.00 (457x381x152)	A-B-A-F-F-A-B-A	A-B-A-F-F-A-B-A
SC181806	SC181806NK	SC181806G	SC181806GNK	16/16	Yes	18.00x18.00x6.00 (457x457x152)	A-B-A-F-F-A-B-A	A-B-A-F-F-A-B-A
SC182406	SC182406NK	SC182406G	SC182406GNK	16/16	Yes	24.00x18.00x6.00 (610x457x152)	A-B-A-F-F-A-B-A	A-B-A-F-F-A-B-A
SC242406	SC242406NK	SC242406G	SC242406GNK	14/14	Yes	24.00x24.00x6.00 (610x610x152)	A-B-A-F-F-A-B-A	A-B-A-F-F-A-B-A
SC243006	SC243006NK	SC243006G	SC243006GNK	14/14	No	30.00x24.00x6.00 (762x610x152)	A-B-A-F-F-A-B-A	A-B-A-F-F-A-B-A
+SC080808	+SC080808NK	+SC080808G	+SC080808GNK	16/16	Yes	8.00x8.00x8.00 (203x203x203)	A-B-A	A-B-A
+SC121208	+SC121208NK	+SC121208G	+SC121208GNK	16/16	Yes	12.00x12.00x8.00 (305x305x203)	B-A-F-F-A-B	B-A-F-F-A-B
+SC121608	+SC121608NK	+SC121608G	+SC121608GNK	16/16	No	16.00x12.00x8.00 (406x305x203)	B-A-F-F-A-B	A-B-A-F-F-A-B-A
+SC121808	+SC121808NK	+SC121808G	+SC121808GNK	16/16	Yes	18.00x12.00x8.00 (457x305x203)	B-A-F-F-A-B	A-B-A-F-F-A-B-A
+SC122408	+SC122408NK	+SC122408G	+SC122408GNK	16/16	Yes	24.00x12.00x8.00 (610x305x203)	B-A-F-F-A-B	A-B-A-F-F-A-B-A
+SC181808	+SC181808NK	+SC181808G	+SC181808GNK	16/16	Yes	18.00x18.00x8.00 (457x457x203)	A-B-A-F-F-A-B-A	A-B-A-F-F-A-B-A
+SC182408	+SC182408NK	+SC182408G	+SC182408GNK	16/16	Yes	24.00x18.00x8.00 (610x457x203)	A-B-A-F-F-A-B-A	A-B-A-F-F-A-B-A
+SC242408	+SC242408NK	+SC242408G	+SC242408GNK	14/14	Yes	24.00x24.00x8.00 (610x610x203)	A-B-A-F-F-A-B-A	A-B-A-F-F-A-B-A
+SC243008	+SC243008NK	+SC243008G	+SC243008GNK	14/14	No	30.00x24.00x8.00 (762x610x203)	A-B-A-F-F-A-B-A	A-B-A-F-F-A-B-A
+SC243608	+SC243608NK	+SC243608G	+SC243608GNK	14/14	No	36.00x24.00x8.00 (914x610x203)	A-B-A-F-F-A-B-A	A-B-A-F-F-A-B-A
—	+SC303008NK	—	+SC303008GNK	12/12	No	30.00x30.00x8.00 (762x762x203)	A-B-A-F-F-A-B-A	A-B-A-F-F-A-B-A
—	+SC303608NK	—	+SC303608GNK	12/12	No	36.00x30.00x8.00 (914x762x203)	A-B-A-F-F-A-B-A	A-B-A-F-F-A-B-A
—	+SC363608NK	—	+SC363608GNK	12/12	No	36.00x36.00x8.00 (914x914x203)	A-B-A-F-F-A-B-A	A-B-A-F-F-A-B-A
+SC121210	+SC121210NK	+SC121210G	+SC121210GNK	16/16	Yes	12.00x12.00x10.00 (305x305x254)	B-A-F-F-A-B	B-A-F-F-A-B
+SC121810	+SC121810NK	+SC121810G	+SC121810GNK	16/16	Yes	18.00x12.00x10.00 (457x305x254)	B-A-F-F-A-B	A-B-A-F-F-A-B-A
+SC122410	+SC122410NK	+SC122410G	+SC122410GNK	16/16	Yes	24.00x12.00x10.00 (610x305x254)	B-A-F-F-A-B	A-B-A-F-F-A-B-A
+SC181810	+SC181810NK	+SC181810G	+SC181810GNK	16/16	Yes	18.00x18.00x10.00 (457x457x254)	A-B-A-F-F-A-B-A	A-B-A-F-F-A-B-A
+SC182410	+SC182410NK	+SC182410G	+SC182410GNK	16/16	Yes	24.00x18.00x10.00 (610x457x254)	A-B-A-F-F-A-B-A	A-B-A-F-F-A-B-A
+SC242410	+SC242410NK	+SC242410G	+SC242410GNK	14/14	Yes	24.00x24.00x10.00 (610x610x254)	A-B-A-F-F-A-B-A	A-B-A-F-F-A-B-A
+SC243010	+SC243010NK	+SC243010G	+SC243010GNK	14/14	No	30.00x24.00x10.00 (762x610x254)	A-B-A-F-F-A-B-A	A-B-A-F-F-A-B-A
—	+SC303010NK	—	+SC303010GNK	12/12	No	30.00x30.00x10.00 (762x762x254)	A-B-A-F-F-A-B-A	A-B-A-F-F-A-B-A
—	+SC303610NK	—	+SC303610GNK	12/12	No	36.00x30.00x10.00 (914x762x254)	A-B-A-F-F-A-B-A	A-B-A-F-F-A-B-A
+SC243610	+SC243610NK	+SC243610G	+SC243610GNK	14/14	No	36.00x24.00x10.00 (914x610x254)	A-B-A-F-F-A-B-A	A-B-A-F-F-A-B-A
—	+SC363610NK	—	+SC363610GNK	12/12	No	36.00x36.00x10.00 (914x914x254)	A-B-A-F-F-A-B-A	A-B-A-F-F-A-B-A
+SC121212	+SC121212NK	+SC121212G	+SC121212GNK	16/16	Yes	12.00x12.00x12.00 (305x305x305)	B-A-F-F-A-B	B-A-F-F-A-B

(+) All products, unless otherwise denoted by a (+), are: H+1/8", W+1/8", D+3/16"

Continued on page A5

SC SERIES SCREW COVER PULL BOX ENCLOSURES (CONT.)								
CATALOG NUMBER				BODY/DOOR STEEL GAUGE	FLUSH COVER AVAILABLE (SEE BELOW)	ENCLOSURE SIZE H x W x D	KNOCKOUT PATTERN	
PAINTED		GALVANIZED					WIDTH SIDE	HEIGHT SIDE
W/KNOCKOUTS	W/O KNOCKOUTS	W/KNOCKOUTS	W/O KNOCKOUTS					
+SC122412	+SC122412NK	+SC122412G	+SC122412GNK	16/16	Yes	24.00x12.00x12.00 (610x305x305)	B-A-F-F-A-B	A-B-A-F-F-A-B-A
+SC181812	+SC181812NK	+SC181812G	+SC181812GNK	16/16	Yes	18.00x18.00x12.00 (457x457x305)	A-B-A-F-F-A-B-A	A-B-A-F-F-A-B-A
+SC182412	+SC182412NK	+SC182412G	+SC182412GNK	16/16	Yes	24.00x18.00x12.00 (610x457x305)	A-B-A-F-F-A-B-A	A-B-A-F-F-A-B-A
+SC242412	+SC242412NK	+SC242412G	+SC242412GNK	14/14	Yes	24.00x24.00x12.00 (610x610x305)	A-B-A-F-F-A-B-A	A-B-A-F-F-A-B-A
+SC243012	+SC243012NK	+SC243012G	+SC243012GNK	14/14	No	30.00x24.00x12.00 (762x610x305)	A-B-A-F-F-A-B-A	A-B-A-F-F-A-B-A
+SC243612	+SC243612NK	+SC243612G	+SC243612GNK	14/14	No	36.00x24.00x12.00 (914x610x305)	A-B-A-F-F-A-B-A	A-B-A-F-F-A-B-A
—	+SC303012NK	—	+SC303012GNK	12/12	No	30.00x30.00x12.00 (762x762x305)	A-B-A-F-F-A-B-A	A-B-A-F-F-A-B-A
—	+SC303612NK	—	+SC303612GNK	12/12	No	36.00x30.00x12.00 (914x762x305)	A-B-A-F-F-A-B-A	A-B-A-F-F-A-B-A
—	+SC363612NK	—	+SC363612GNK	12/12	No	36.00x36.00x12.00 (914x914x305)	A-B-A-F-F-A-B-A	A-B-A-F-F-A-B-A

*Not UL Listed.

Note: Must specify CSA Label when ordering. Consult factory for dimensions and drawings on 8", 10" and 12" deep enclosures.

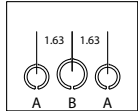
Note: 8", 10" and 12" deep enclosures do not have mounting embosses in back of enclosure, only mounting holes.

Knockout Patterns

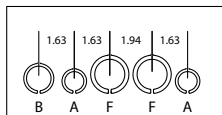
A -- 1/2" TO 3/4"
B -- 3/4" TO 1"
F -- 1" TO 1-1/4"



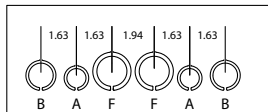
4" SIDE



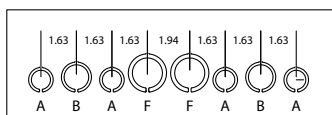
6" & 8" SIDE



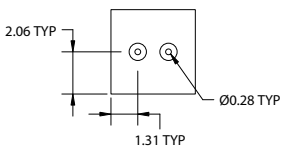
10" SIDE



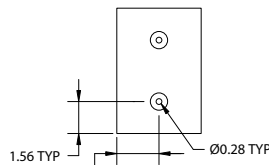
12" SIDE



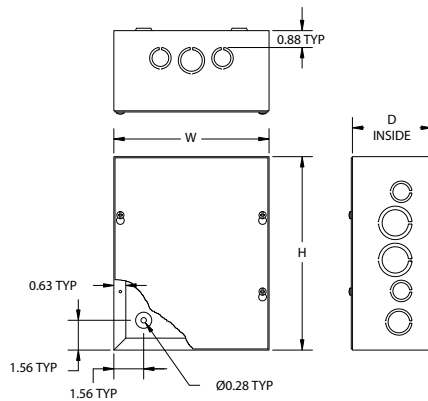
15", 18", 24", 30" & 36" SIDE.



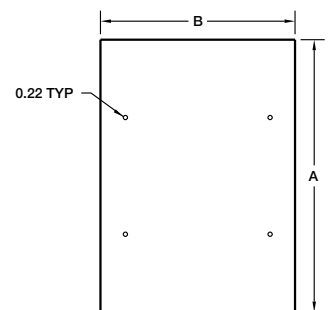
4.00" X 4.00" MOUNTING



4.00" X 6.00" MOUNTING



Flush Covers



SCF SERIES FLUSH COVERS			
CATALOG NUMBER		FLUSH COVER SIZE A X B	FOR BOX SIZE H X W
PAINTED	GALVANIZED		
SCF0404	SCF0404G	6.00x6.00 (152x152)	4.00x4.00 (102x102)
SCF0406	SCF0406G	8.00x6.00 (203x152)	6.00x4.00 (102x102)
SCF0606	SCF0606G	8.00x8.00 (203x203)	6.00x6.00 (152x152)
SCF0608	SCF0608G	10.00x8.00 (254x203)	8.00x6.00 (203x152)
SCF0612	SCF0612G	14.00x8.00 (356x203)	12.00x6.00 (305x152)
SCF0808	SCF0808G	10.00x10.00 (254x254)	8.00x8.00 (203x203)
SCF0810	SCF0810G	12.00x10.00 (305x254)	10.00x8.00 (254x203)
SCF0812	SCF0812G	14.00x10.00 (356x254)	12.00x8.00 (305x203)
SCF1010	SCF1010G	12.00x12.00 (305x305)	10.00x10.00 (254x254)
SCF1012	SCF1012G	14.00x12.00 (356x305)	12.00x10.00 (305x254)
SCF1212	SCF1212G	14.00x14.00 (356x356)	12.00x12.00 (305x305)
SCF1215	SCF1215G	17.00x14.00 (432x356)	15.00x12.00 (381x305)
SCF1216	SCF1216G	18.00x14.00 (457x356)	16.00x12.00 (406x305)
SCF1218	SCF1218G	20.00x14.00 (508x356)	18.00x12.00 (457x305)
SCF1224	SCF1224G	26.00x14.00 (660x356)	24.00x12.00 (610x305)
SCF1515	SCF1515G	17.00x17.00 (432x432)	15.00x15.00 (381x381)
SCF1518	SCF1518G	20.00x17.00 (508x432)	18.00x15.00 (457x381)
SCF1616	SCF1616G	18.00x18.00 (457x457)	16.00x16.00 (406x406)
SCF1818	SCF1818G	20.00x20.00 (508x508)	18.00x18.00 (457x457)
SCF1824	SCF1824G	26.00x20.00 (660x508)	24.00x18.00 (610x457)
SCF1830	SCF1830G	32.00x20.00 (813x508)	30.00x18.00 (762x457)
SCF2424	SCF2424G	26.00x26.00 (660x660)	24.00x24.00 (610x610)

**A SERIES ENCLOSURES
NEMA 1 HINGE COVER WALL-MOUNT**



A080804

Industry Standards
UL 50, Type 1
CSA Certified, Type 1
NEMA/EEMAC Type 1

 UL Files E6924

 CSA File LL66078

FEATURES-SPECIFICATIONS

Applications

Designed for use as surface-mounted junction box, service box, switch box and cutout box.

Construction

- Bodies and doors fabricated from 16 or 14 gauge steel
- 3" depth boxes furnished with formed steel hinge non removable cover. 4" and 6" depth boxes furnished with clamp style hinges allowing for removable/replaceable covers
- Various sizes of removable concentric knockouts are furnished on all four sides of standard cutout boxes
- Mounting holes on back of box

Finish

- ANSI-61 gray polyester powder inside and out over phosphatized surfaces

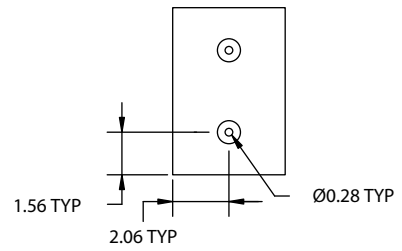
Accessories

- See pages J1-J19

A SERIES HINGE COVER ENCLOSURES				
CATALOG NUMBER	BODY/DOOR STEEL GAUGE	ENCLOSURE SIZE H+1/8", W+1/8", D+3/16"	KNOCKOUT PATTERNS	
			WIDTH SIDE	HEIGHT SIDE
+A040503	16/16	5.00x4.50x3.00 (127x114x76)	A-A	A-A
+A060603	16/16	6.00x6.00x3.00 (152x152x76)	A-B-A	A-B-A
A040604	16/16	6.00x4.00x4.00 (152x102x102)	A-A	A-B-A
A060604	16/16	6.00x6.00x4.00 (152x152x102)	A-B-A	A-B-A
A060804	16/16	8.00x6.00x4.00 (203x152x102)	A-B-A	A-B-A
A080804	16/16	8.00x8.00x4.00 (203x203x102)	A-B-A	A-B-A
A081004	16/16	10.00x8.00x4.00 (254x203x102)	A-B-A	B-A-F-F-A
A081204	16/16	12.00x8.00x4.00 (305x203x102)	A-B-A	B-A-F-F-A-B
A101004	16/16	10.00x10.00x4.00 (254x254x102)	B-A-F-F-A	B-A-F-F-A
A101204	16/16	12.00x10.00x4.00 (305x254x102)	B-A-F-F-A	B-A-F-F-A-B
A121204	16/16	12.00x12.00x4.00 (305x305x102)	B-A-F-F-A-B	B-A-F-F-A-B
A121504	16/16	15.00x12.00x4.00 (381x305x102)	B-A-F-F-A-B	A-B-A-F-F-A-B-A
A121604	16/16	16.00x12.00x4.00 (406x305x102)	B-A-F-F-A-B	A-B-A-F-F-A-B-A
A121804	16/16	18.00x12.00x4.00 (457x305x102)	B-A-F-F-A-B	A-B-A-F-F-A-B-A
A151804	16/16	18.00x15.00x4.00 (457x381x102)	A-B-A-F-F-A-B-A	A-B-A-F-F-A-B-A
A060606	16/16	6.00x6.00x6.00 (152x152x152)	A-B-A	A-B-A
A080806	16/16	8.00x8.00x6.00 (203x203x152)	A-B-A	A-B-A
A081006	16/16	10.00x8.00x6.00 (254x203x152)	A-B-A	B-A-F-F-A
A101006	16/16	10.00x10.00x6.00 (254x254x152)	B-A-F-F-A	B-A-F-F-A
A101206	16/16	12.00x10.00x6.00 (305x254x152)	B-A-F-F-A	B-A-F-F-A-B
A121206	16/16	12.00x12.00x6.00 (305x305x152)	B-A-F-F-A-B	B-A-F-F-A-B
A121606	16/16	16.00x12.00x6.00 (406x305x152)	B-A-F-F-A-B	A-B-A-F-F-A-B-A
A121806	16/16	18.00x12.00x6.00 (457x305x152)	B-A-F-F-A-B	A-B-A-F-F-A-B-A
A151506	16/16	15.00x15.00x6.00 (381x381x152)	A-B-A-F-F-A-B-A	A-B-A-F-F-A-B-A
A161606	16/16	16.00x16.00x6.00 (406x406x152)	A-B-A-F-F-A-B-A	A-B-A-F-F-A-B-A
A181806	16/16	18.00x18.00x6.00 (457x457x152)	A-B-A-F-F-A-B-A	A-B-A-F-F-A-B-A
A182406	14/14	24.00x18.00x6.00 (610x457x152)	A-B-A-F-F-A-B-A	A-B-A-F-F-A-B-A
A242406	14/14	24.00x24.00x6.00 (610x610x152)	A-B-A-F-F-A-B-A	A-B-A-F-F-A-B-A
A243006	14/14	30.00x24.00x6.00 (762x610x152)	A-B-A-F-F-A-B-A	A-B-A-F-F-A-B-A
A243606	14/14	36.00x24.00x6.00 (914x610x152)	A-B-A-F-F-A-B-A	A-B-A-F-F-A-B-A
A243608	14/14	36.00x24.00x8.00 (914x610x203)	A-B-A-F-F-A-B-A	A-B-A-F-F-A-B-A

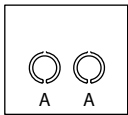
NOTE: Must specify CSA Label when ordering.
(+) All products, unless otherwise denoted by a (+), are: H+1/8", W+1/8", D+3/16"

NOTE: 8" deep enclosures do not have mounting embosses in back of enclosure, only mounting holes.



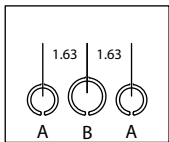
4.00" X 6.00" MOUNTING

Knockout Patterns

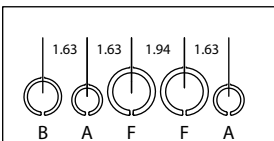


4-1/2" & 5" SIDE

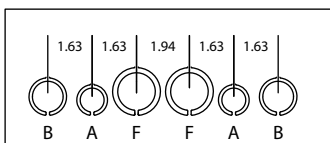
A -- 1/2" TO 3/4"
B -- 3/4" TO 1"
F -- 1" TO 1-1/4"



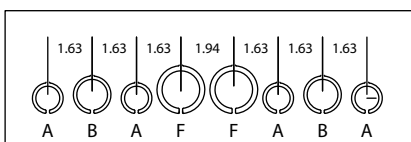
6" & 8" SIDE



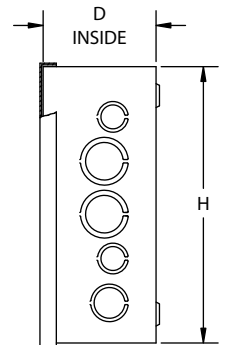
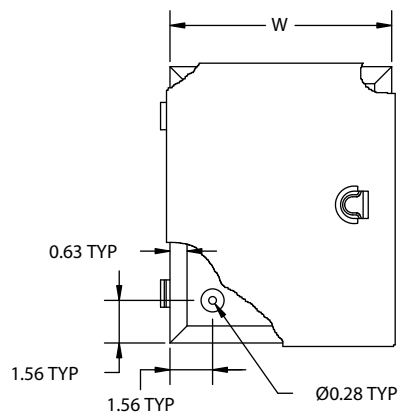
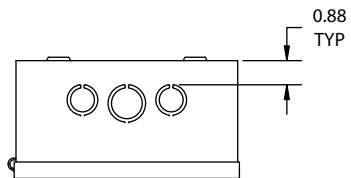
10" SIDE



12" SIDE



15", 16", 18", 24"
30" & 36" SIDE.



N1C SERIES ENCLOSURES
"SMALL" NEMA 1 HINGED WALL-MOUNT



N1C060604

Industry Standards
 UL 50, Type 1
 CSA Certified, Type 1
 NEMA/EEMAC Type 1

 UL Files E6924

 CSA File LL66078

FEATURES-SPECIFICATIONS

Applications

Designed for use as control enclosures and instrument cases in areas not requiring oil-tight and dust-tight specifications.

Construction

- Bodies and doors fabricated from 14 gauge steel (reference tables)
- Continuous hinged covers
- Mounting holes on back of cabinet
- Grounding provisions provided

- Doors furnished standard with flushmount quarter-turn style latch
- Weldnuts provided for mounting optional back panels

Finish

- ANSI-61 gray polyester powder inside and out over phosphatized surface
- **Optional** back panels are white polyester powder over phosphatized surfaces

Accessories

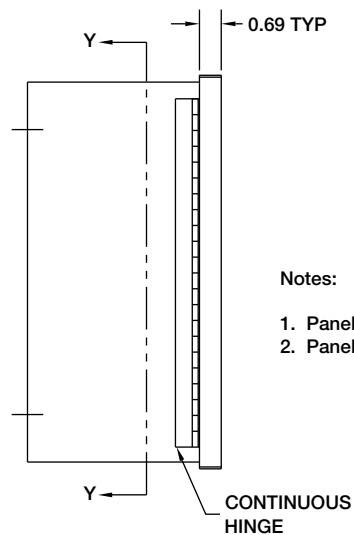
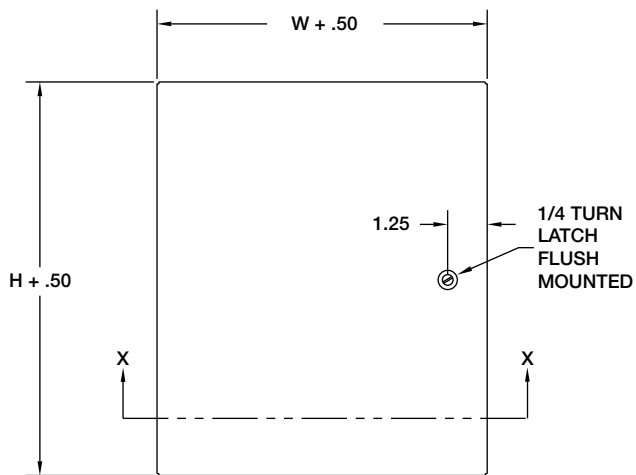
- Back panels (reference tables)
- Cylinder lock kit
- See pages J1-J19

"SMALL" N1C SERIES HINGE COVER ENCLOSURES

CATALOG NUMBER	BODY/DOOR STEEL GAUGE	ENCLOSURE SIZE H+1/8", W+1/8", D+3/16"	BACK PANEL CATALOG NUMBER*	BACK PANEL STEEL GAUGE	BACK PANEL SIZE A X B
N1C060604	14/14	6.00x6.00x4.00 (152x152x102)	N1P0606	14	4.25x4.25 (108x108)
N1C060804	14/14	8.00x6.00x4.00 (203x152x102)	N1P0608	14	6.25x4.25 (159x108)
N1C080804	14/14	8.00x8.00x4.00 (203x203x102)	N1P0808	14	6.25x6.25 (159x159)
N1C081004	14/14	10.00x8.00x4.00 (254x203x102)	N1P0810	14	8.25x6.25 (210x159)
N1C101004	14/14	10.00x10.00x4.00 (254x254x102)	N1P1010	14	8.25x8.25 (210x210)
N1C101204	14/14	12.00x10.00x4.00 (305x254x102)	N1P1012	14	10.25x8.25 (260x210)
N1C121204	14/14	12.00x12.00x4.00 (305x305x102)	N1P1212	14	10.25x10.25 (260x260)
N1C121404	14/14	14.00x12.00x4.00 (356x305x102)	N1P1214	14	12.25x10.25 (311x260)
N1C060806	14/14	8.00x6.00x6.00 (203x152x152)	N1P0608	14	6.25x4.25 (159x108)
N1C080806	14/14	8.00x8.00x6.00 (203x203x152)	N1P0808	14	6.25x6.25 (159x159)
N1C081006	14/14	10.00x8.00x6.00 (254x203x152)	N1P0810	14	8.25x6.25 (210x159)
N1C101006	14/14	10.00x10.00x6.00 (254x254x152)	N1P1010	14	8.25x8.25 (210x210)
N1C101206	14/14	12.00x10.00x6.00 (305x254x152)	N1P1012	14	10.25x8.25 (260x210)
N1C121206	14/14	12.00x12.00x6.00 (305x305x152)	N1P1212	14	10.25x10.25 (260x260)
N1C121406	14/14	14.00x12.00x6.00 (356x305x152)	N1P1214	14	12.25x10.25 (311x260)
N1C121606S	14/14	16.00x12.00x6.00 (406x305x152)	N1P1216	14	14.25x10.25 (362x260)
N1C122006	14/14	20.00x12.00x6.00 (508x305x152)	N1P1220	14	18.25x10.25 (464x260)
+ N1C121208	14/14	12.00x12.00x8.00 (305x305x203)	N1P1212	14	10.25x10.25 (260x260)
+ N1C121408	14/14	14.00x12.00x8.00 (356x305x203)	N1P1214	14	12.25x10.25 (311x260)

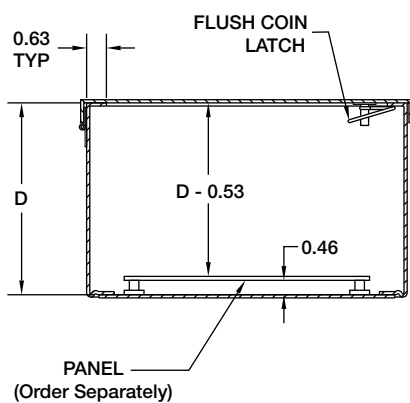
*Back panels must be ordered separately

(+) All products, unless otherwise denoted by a (+), are: H+1/8", W+1/8", D+3/16"

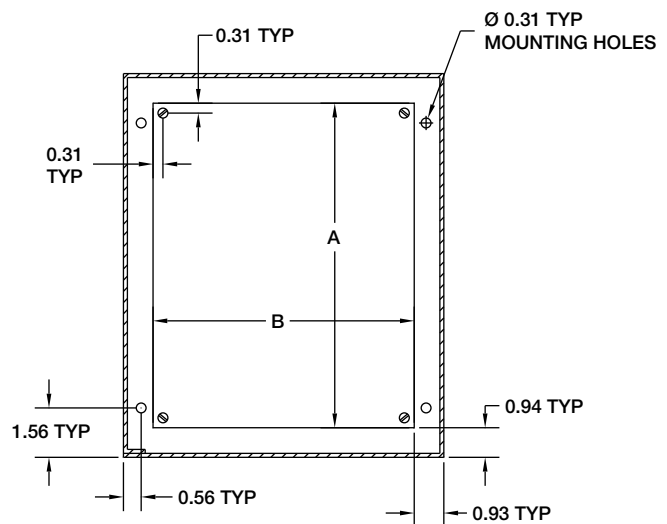


Notes:

1. Panels are 14 Ga. steel.
2. Panel screws are #10-32.



SECTION X-X



SECTION Y-Y



N1C161606LP

Industry Standards
UL 50, Type 1
CSA Certified, Type 1
NEMA/EEMAC Type 1

UL File E6924

CSA File LL66078

FEATURES-SPECIFICATIONS

Applications

Designed for use in control and instrumentation applications in areas which do not require oil-tight and dust-tight specifications.

Construction

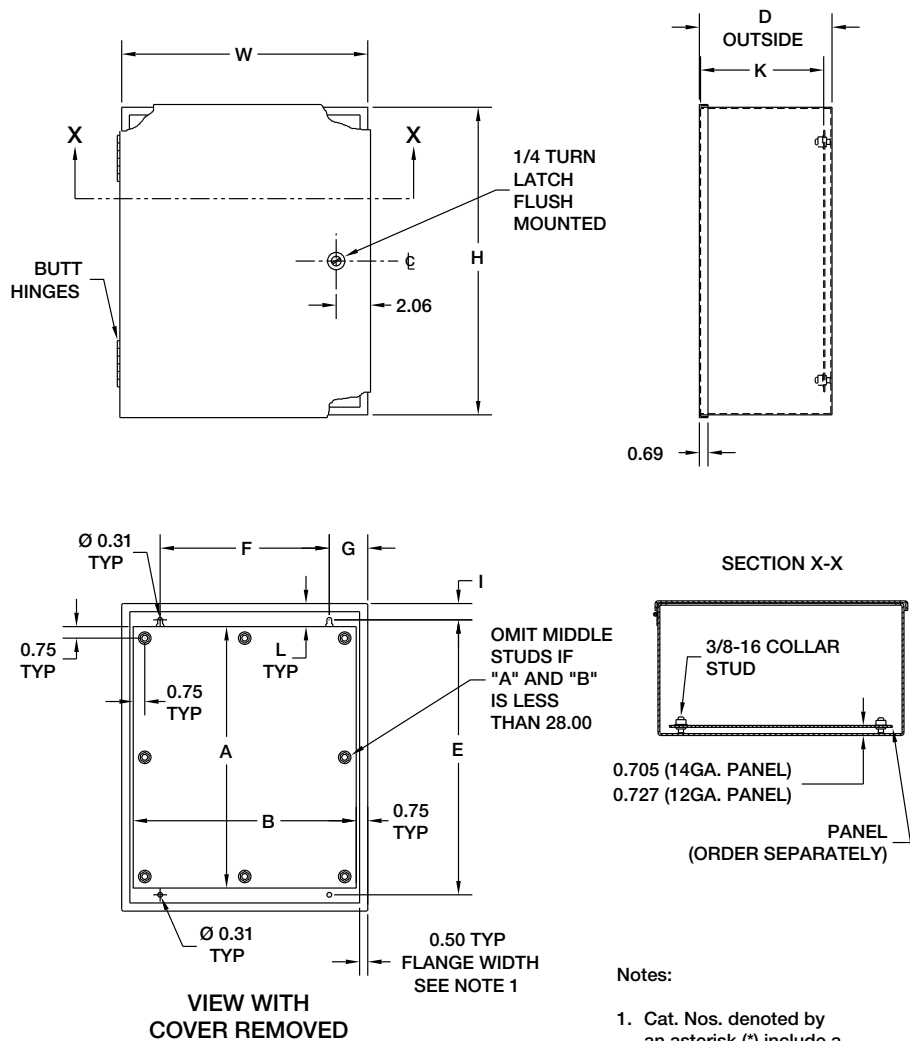
- Bodies and doors fabricated from 14 gauge steel
- Mounting holes on back of cabinet
- Collar studs provided for mounting optional back panel
- Doors furnished standard with flushmount quarter-turn style latch
- Doors secured by butt hinges
- Grounding provisions provided

Finish

- ANSI-61 gray polyester powder inside and out over phosphatized surfaces
- **Optional** back panels are white polyester powder over phosphatized surfaces

Accessories

- Back panels (reference tables)
- See pages J1-J19



**N1C SERIES ENCLOSURES
"MEDIUM" NEMA 1 HINGED WALL-MOUNT**

A11

"MEDIUM" N1C SERIES HINGE COVER ENCLOSURES											
CATALOG NUMBER	BODY/DOOR STEEL GAUGE	ENCLOSURE SIZE H X W X D	BACK PANEL CATALOG NUMBER**	BACK PANEL SIZE A X B	BACK PANEL STEEL GAUGE	E	F	G	I	K	L
N1C121606LP*	14/14	16.00x12.00x6.75 (406x305x171)	N1P1216L	13.00x10.50 (330x267)	14	13.88 (352)	7.00 (178)	2.50 (64)	1.06 (27)	5.974 (152)	1.50 (38)
N1C161606LP*	14/14	16.00x16.00x6.75 (406x406x171)	N1P1616	13.00x14.50 (330x368)	14	13.88 (352)	11.00 (279)	2.50 (64)	1.06 (27)	5.974 (152)	1.50 (38)
N1C162006LP*	14/14	20.00x16.00x6.75 (508x406x171)	N1P1620	17.00x14.50 (432x368)	14	17.88 (454)	11.00 (279)	2.50 (64)	1.06 (27)	5.974 (152)	1.50 (38)
N1C162406LP*	14/14	24.00x16.00x6.75 (610x406x171)	N1P1624	21.00x14.50 (533x368)	14	21.88 (556)	11.00 (279)	2.50 (64)	1.06 (27)	5.974 (152)	1.50 (38)
N1C201606LP*	14/14	16.00x20.00x6.75 (406x508x171)	N1P2016	13.00x18.50 (330x470)	14	13.88 (352)	15.00 (381)	2.50 (64)	1.06 (27)	5.974 (152)	1.50 (38)
N1C202006LP*	14/14	20.00x20.00x6.75 (508x508x171)	N1P2020	17.00x18.50 (432x470)	14	17.88 (454)	15.00 (381)	2.50 (64)	1.06 (27)	5.974 (152)	1.50 (38)
N1C202406LP*	14/14	24.00x20.00x6.75 (610x508x171)	N1P2024	21.00x18.50 (533x470)	14	21.88 (556)	15.00 (381)	2.50 (64)	1.06 (27)	5.974 (152)	1.50 (38)
N1C242406LP*	14/14	24.00x24.00x6.75 (610x610x171)	N1P2424	21.00x22.50 (533x572)	12	21.88 (556)	19.00 (483)	2.50 (64)	1.06 (27)	5.952 (151)	1.50 (38)
N1C203006LP	14/14	30.00x20.00x6.63 (762x508x168)	N1P2030	26.00x18.50 (660x470)	12	27.50 (699)	12.75 (324)	3.63 (92)	1.25 (32)	5.827 (148)	2.00 (51)
N1C243006LP	14/14	30.00x24.00x6.63 (762x610x168)	N1P2430	26.00x22.50 (660x572)	12	27.50 (699)	16.75 (425)	3.63 (92)	1.25 (32)	5.827 (148)	2.00 (51)
N1C243606LP	14/14	36.00x24.00x6.63 (914x610x168)	N1P2436	32.00x22.50 (813x572)	12	33.50 (851)	16.75 (425)	3.63 (92)	1.25 (32)	5.827 (148)	2.00 (51)
N1C303606LP	14/14	36.00x30.00x6.63 (914x762x168)	N1P3036	32.00x28.50 (813x724)	12	33.50 (851)	22.75 (578)	3.63 (92)	1.25 (32)	5.827 (148)	2.00 (51)
N1C121608LP*	14/14	16.00x12.00x8.75 (406x305x222)	N1P1216L	13.00x10.50 (330x267)	14	13.88 (352)	7.00 (178)	2.50 (64)	1.06 (27)	7.974 (203)	1.50 (38)
N1C162008LP*	14/14	20.00x16.00x8.75 (508x406x222)	N1P1620	17.00x14.50 (432x368)	14	17.88 (454)	11.00 (279)	2.50 (64)	1.06 (27)	7.974 (203)	1.50 (38)
N1C202008LP*	14/14	20.00x20.00x8.75 (508x508x222)	N1P2020	17.00x18.50 (432x470)	14	17.88 (454)	15.00 (381)	2.50 (64)	1.06 (27)	7.974 (203)	1.50 (38)
N1C202408LP*	14/14	24.00x20.00x8.75 (610x508x222)	N1P2024	21.00x18.50 (533x470)	14	21.88 (556)	15.00 (381)	2.50 (64)	1.06 (27)	7.974 (203)	1.50 (38)
N1C242008LP*	14/14	20.00x24.00x8.75 (508x610x222)	N1P2420	17.00x22.50 (432x572)	14	17.88 (454)	19.00 (483)	2.50 (64)	1.06 (27)	7.974 (203)	1.50 (38)
N1C242408LP*	14/14	24.00x24.00x8.75 (610x610x222)	N1P2424	21.00x22.50 (533x572)	12	21.88 (556)	19.00 (483)	2.50 (64)	1.06 (27)	7.952 (202)	1.50 (38)
N1C243008LP	14/14	30.00x24.00x8.63 (762x610x219)	N1P2430	26.00x22.50 (660x572)	12	27.50 (699)	16.75 (425)	3.63 (92)	1.25 (32)	7.827 (199)	2.00 (51)
N1C303008LP	14/14	30.00x30.00x8.63 (762x762x219)	N1P3030	26.00x28.50 (660x724)	12	27.50 (699)	22.75 (578)	3.63 (92)	1.25 (32)	7.827 (199)	2.00 (51)
N1C243608LP	14/14	36.00x24.00x8.63 (914x610x219)	N1P2436	32.00x22.50 (813x572)	12	33.50 (851)	16.75 (425)	3.63 (92)	1.25 (32)	7.827 (199)	2.00 (51)
N1C303608LP	14/14	36.00x30.00x8.63 (914x762x219)	N1P3036	32.00x28.50 (813x724)	12	33.50 (851)	22.75 (578)	3.63 (92)	1.25 (32)	7.827 (199)	2.00 (51)
N1C202410LP*	14/14	24.00x20.00x10.75 (610x508x273)	N1P2024	21.00x18.50 (533x470)	14	21.88 (556)	15.00 (381)	2.50 (64)	1.06 (27)	9.974 (253)	1.50 (38)
N1C243010LP	14/14	30.00x24.00x10.63 (762x610x270)	N1P2430	26.00x22.50 (660x572)	12	27.50 (699)	16.75 (425)	3.63 (92)	1.25 (32)	9.827 (250)	2.00 (51)
N1C242412LP*	14/14	24.00x24.00x12.75 (610x610x324)	N1P2424	21.00x22.50 (533x572)	12	21.88 (556)	19.00 (483)	2.50 (64)	1.06 (27)	11.952 (304)	1.50 (38)
N1C243012LP	14/14	30.00x24.00x12.63 (762x610x321)	N1P2430	26.00x22.50 (660x572)	12	27.50 (699)	16.75 (425)	3.63 (92)	1.25 (32)	11.827 (300)	2.00 (51)
N1C303612LP	14/14	36.00x30.00x12.63 (914x762x321)	N1P3036	32.00x28.50 (813x724)	12	33.50 (851)	22.75 (578)	3.63 (92)	1.25 (32)	11.827 (300)	2.00 (51)

*See note 1 on the drawing.

** Back panels must be ordered separately

N1C SERIES ENCLOSURES "LARGE" NEMA 1 HINGED WALL-MOUNT



N1C304209

Industry Standards

UL 508, Type 1
CSA Certified, Type 1
NEMA/EEMAC Type 1

 UL File E6924

 CSA File LL66078

FEATURES-SPECIFICATIONS

Applications

Designed for use in control and instrumentation applications in areas which do not require oil-tight and dust-tight specifications.

Construction

- Bodies and doors fabricated from 14 gauge steel
- Continuous hinged doors
- Doors are easily removable by pulling the hinge pin

- Door and body stiffeners provided for extra rigidity in larger enclosures
- Collar studs provided for mounting **optional** back panels
- External mounting feet provided
- Grounding provisions provided
- Doors are furnished standard with flushmount quarter-turn latch

Finish

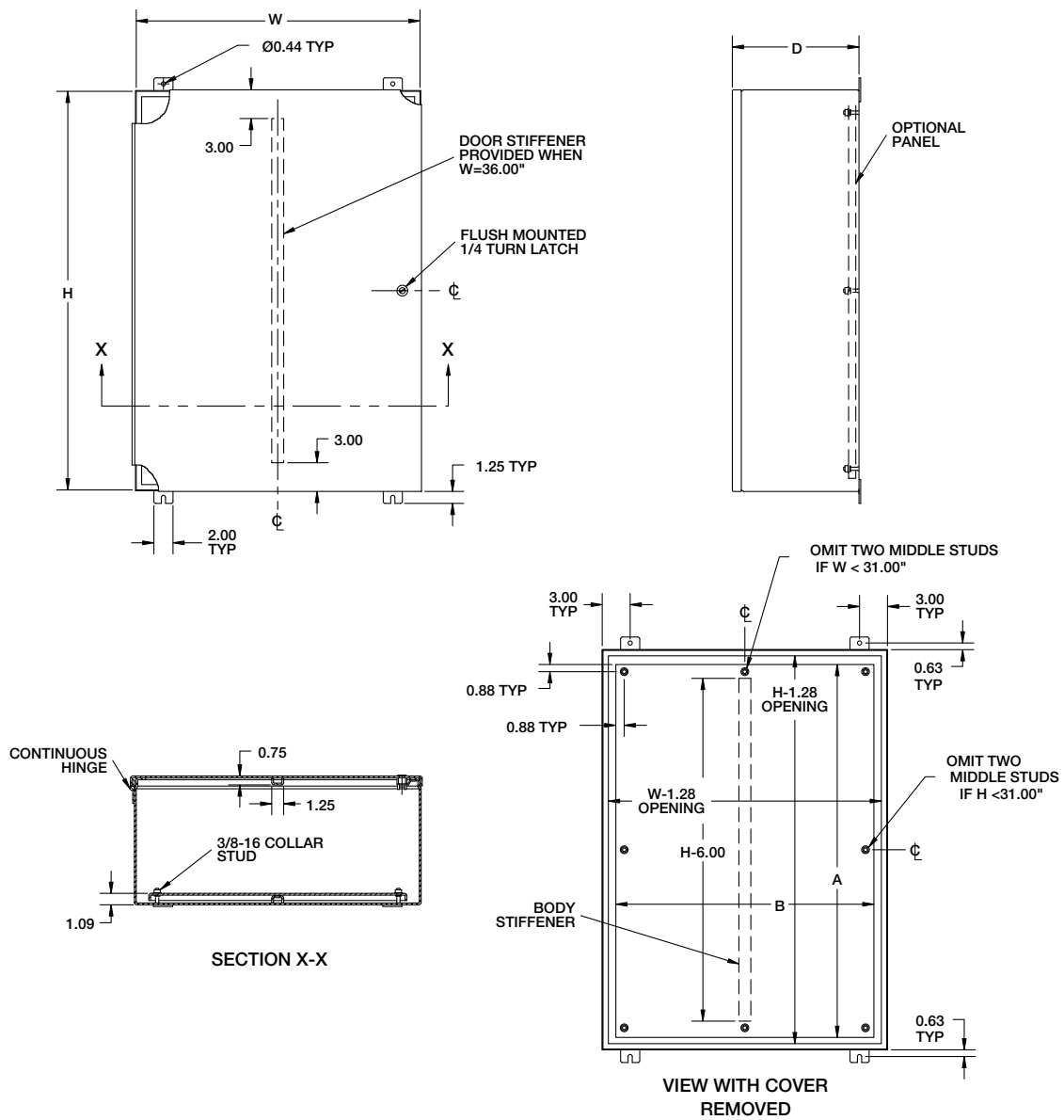
- ANSI-61 gray polyester powder inside and out over phosphatized surfaces
- **Optional** panels are white polyester powder over phosphatized surfaces

Accessories

- Back panels (reference table)
- See pages J1-J19

"LARGE" N1C SERIES HINGE COVER ENCLOSURES					
CATALOG NUMBER	BODY/DOOR STEEL GAUGE	ENCLOSURE SIZE H X W X D	BACK PANEL CATALOG NUMBER*	BACK PANEL STEEL GAUGE	BACK PANEL SIZE A X B
N1C304209	14/14	42.00x30.00x8.94 (1067x762x227)	NP4230	12	39.00x27.00 (991x686)
N1C364209	14/14	42.00x36.00x8.94 (1067x914x227)	NP4236	12	39.00x33.00 (991x838)
N1C364809	14/14	48.00x36.00x8.94 (1219x914x227)	NP4836	12	45.00x33.00 (1143x838)
N1C364811	14/14	48.00x36.00x10.94 (1219x914x278)	NP4836	12	45.00x33.00 (1143x838)
N1C304213	14/14	42.00x30.00x12.94 (1067x762x329)	NP4230	12	39.00x27.00 (991x686)
N1C364817	14/14	48.00x36.00x17.25 (1219x914x438)	NP4836	12	45.00x33.00 (1143x838)

* Back panels must be ordered separately



**RSC SERIES ENCLOSURES
NEMA 3R SCREW COVER WALL-MOUNT**



RSC060604

Industry Standards
UL 50, Types 1 & 3R
CSA Certified, Type 1 & 3R
NEMA/EEMAC Type 1 & 3R

UL File E6924

CSA File LL66078

FEATURES-SPECIFICATIONS

Applications

Designed for use as wiring boxes and junction boxes. Provide protection in outdoor applications against rain, sleet, and snow, or indoors against dripping water.

Construction

- Bodies and doors fabricated from 16, 14, or 12 gauge carbon steel and pre-galvanized steel (reference table)
- Drip shield top and smooth seamless sides and front
- Knockouts are standard on bottom of 4.00" and 6.00" deep enclosures (reference table)
- A slip-on reversible cover is securely fastened with screws located along bottom edge
- No gasketing is required
- Hasp for padlocking or meter seal is provided

Finish

- ANSI-61 gray polyester powder inside and out over phosphatized surfaces over carbon steel
- Pre-galvanized finish with phosphatized surface

Accessories

- See pages J1-J19

**Not UL Listed. No hasp or meter seal. Must specify CSA Label when ordering.*

Notes:

For removal of cover, move downward, then outward.

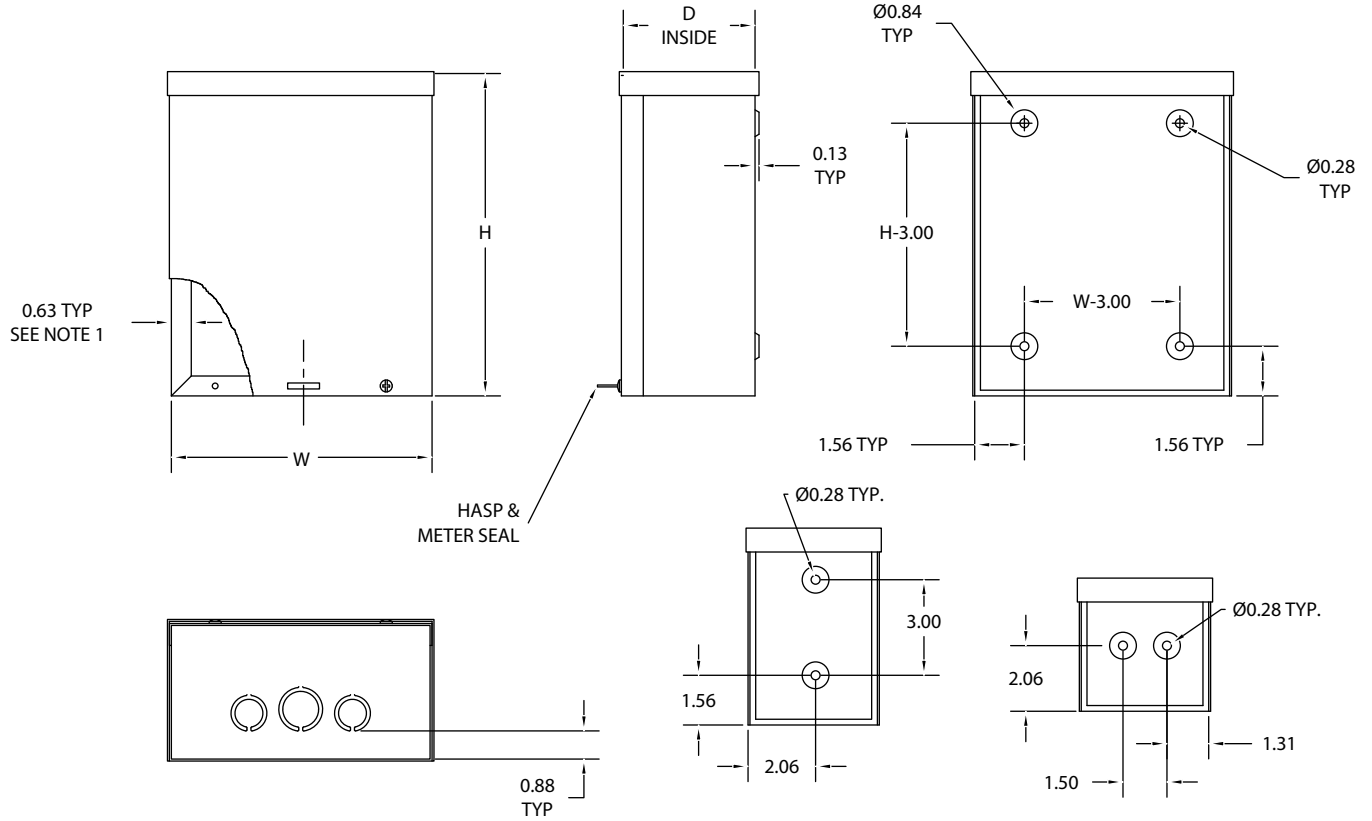
4.00x4.00x4.00 only has 2 mounting holes centered horizontally.

4.00x6.00x4.00 only has 2 mounting holes centered vertically.

Note: 8", 10" and 12" deep enclosures do not have mounting embosses in back of enclosure, only mounting holes.

RSC SERIES SCREW COVER ENCLOSURES				
CATALOG NUMBER		BODY/DOOR STEEL GAUGE	ENCLOSURE SIZE H+ ¹ / ₈ ", W+ ¹ / ₈ ", D+ ³ / ₁₆ "	KNOCKOUT PATTERNS
PAINTED	GALVANIZED			
RSC040404*	RSC040404G	16/16	4.00x4.00x4.00 (102x102x102)	A
RSC040604*	RSC040604G	16/16	6.00x4.00x4.00 (152x102x102)	A
RSC060604	RSC060604G	16/16	6.00x6.00x4.00 (152x152x102)	A-B-A
RSC060804	RSC060804G	16/16	8.00x6.00x4.00 (203x152x102)	A-B-A
RSC080804	RSC080804G	16/16	8.00x8.00x4.00 (203x203x102)	A-B-A
RSC081004	RSC081004G	16/16	10.00x8.00x4.00 (254x203x102)	A-B-A
RSC101004	RSC101004G	16/16	10.00x10.00x4.00 (254x254x102)	B-A-F-F-A
RSC101204	RSC101204G	16/16	12.00x10.00x4.00 (305x254x102)	B-A-F-F-A
RSC121204	RSC121204G	16/16	12.00x12.00x4.00 (305x305x102)	B-A-F-F-A-B
RSC121504	RSC121504G	16/16	15.00x12.00x4.00 (381x305x102)	B-A-F-F-A-B
RSC181804	RSC181804G	16/16	18.00x18.00x4.00 (457x457x102)	A-B-A-F-F-A-B-A
RSC060606	RSC060606G	16/16	6.00x6.00x6.00 (152x152x152)	A-B-A
RSC060806	RSC060806G	16/16	8.00x6.00x6.00 (203x152x152)	A-B-A
RSC080806	RSC080806G	16/16	8.00x8.00x6.00 (203x203x152)	A-B-A
RSC081006	RSC081006G	16/16	10.00x8.00x6.00 (254x203x152)	A-B-A
RSC081206	RSC081206G	16/16	12.00x8.00x6.00 (305x203x152)	A-B-A
RSC101006	RSC101006G	16/16	10.00x10.00x6.00 (254x254x152)	B-A-F-F-A
RSC101206	RSC101206G	16/16	12.00x10.00x6.00 (305x254x152)	B-A-F-F-A
RSC121206	RSC121206G	16/16	12.00x12.00x6.00 (305x305x152)	B-A-F-F-A-B
RSC121506	RSC121506G	16/16	15.00x12.00x6.00 (381x305x152)	B-A-F-F-A-B
RSC121806	RSC121806G	16/16	18.00x12.00x6.00 (457x305x152)	B-A-F-F-A-B
RSC151806	RSC151806G	16/16	18.00x15.00x6.00 (457x381x152)	A-B-A-F-F-A-B-A
RSC181806	RSC181806G	16/16	18.00x18.00x6.00 (457x457x152)	A-B-A-F-F-A-B-A
RSC182406	RSC182406G	16/16	24.00x18.00x6.00 (610x457x152)	A-B-A-F-F-A-B-A
RSC242406	RSC242406G	14/14	24.00x24.00x6.00 (610x610x152)	A-B-A-F-F-A-B-A
+RSC121208	RSC121208G	16/16	12.00x12.00x8.00 (305x305x203)	No Knockouts
+RSC121808	RSC121808G	16/16	18.00x12.00x8.00 (457x305x203)	No Knockouts
+RSC151808	RSC151808G	16/16	18.00x15.00x8.00 (457x381x203)	No Knockouts
+RSC181808	RSC181808G	16/16	18.00x18.00x8.00 (457x457x203)	No Knockouts
+RSC182408	RSC182408G	14/14	24.00x18.00x8.00 (610x457x203)	No Knockouts
+RSC202408	RSC202408G	14/14	24.00x20.00x8.00 (610x508x203)	No Knockouts
+RSC242408	RSC242408G	14/14	24.00x24.00x8.00 (610x610x203)	No Knockouts
+RSC243008	RSC243008G	14/14	30.00x24.00x8.00 (762x610x203)	No Knockouts
+RSC121210	RSC121210G	16/16	12.00x12.00x10.00 (305x305x254)	No Knockouts
+RSC161610	RSC161610G	16/16	16.00x16.00x10.00 (406x406x254)	No Knockouts
+RSC242412	RSC242412G	14/14	24.00x24.00x12.00 (610x610x305)	No Knockouts
+RSC243612	RSC243612G	12/12	36.00x24.00x12.00 (914x610x305)	No Knockouts
+RSC303012	RSC303012G	12/12	30.00x30.00x12.00 (762x762x305)	No Knockouts
+RSC303612	RSC303612G	12/12	36.00x30.00x12.00 (914x762x305)	No Knockouts
+RSC363612	RSC363612G	12/12	36.00x36.00x12.00 (914x914x305)	No Knockouts
+RSC242416	RSC242416G	14/14	24.00x24.00x16.00 (610x610x406)	No Knockouts
+RSC303016	RSC303016G	12/12	30.00x30.00x16.00 (762x762x406)	No Knockouts
+RSC363616	RSC363616G	12/12	36.00x36.00x16.00 (914x914x406)	No Knockouts
+RSC364816	RSC364816G	12/12	48.00x36.00x16.00 (1219x914x406)	No Knockouts

(+) All products, unless otherwise denoted by a (+), are: H+1/8", W+1/8", D+3/16"



NOTES:

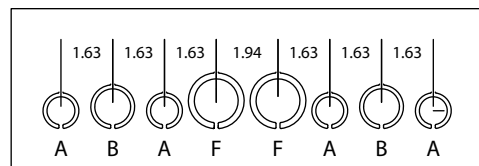
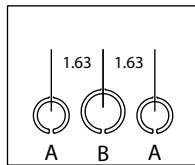
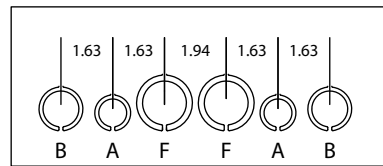
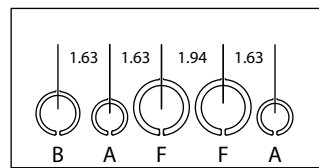
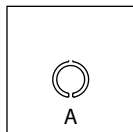
1. Enclosures with D = 8.00" or more do not have an internal flange.

4.00" X 6.00"
MOUNTING

4.00" X 4.00"
MOUNTING

Knockout Patterns

- A -- 1/2" TO 3/4"
- B -- 3/4" TO 1"
- F -- 1" TO 1-1/4"



**RHC SERIES ENCLOSURES
"SMALL" NEMA 3R HINGE COVER WALL-MOUNT**




RHC060604

Industry Standards

UL 50, Types 1 & 3R
CSA Certified, Type 1 & 3R
NEMA/EEMAC Type 1 & 3R

 UL File E6924

 CSA File LL66078

FEATURES-SPECIFICATIONS

Applications

Designed for use as wiring boxes and junction boxes. Provides protection in outdoor installations against rain, sleet, and snow, or indoors against dripping water.

Construction

- Bodies and doors fabricated from 16 gauge carbon steel
- Continuous hinge
- Lid is supplied with a padlockable draw latch

- Hinge is made of carbon steel with a stainless steel hinge pin
- Standard size enclosures are provided with knockouts in bottom
- Weldnuts provided for mounting **optional** back panels
- External mounting plates, top and bottom of enclosure
- Knockouts on bottom of enclosure
- Grounding provisions provided

Finish

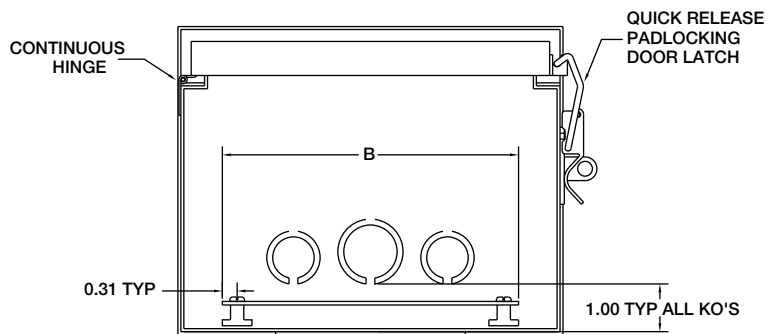
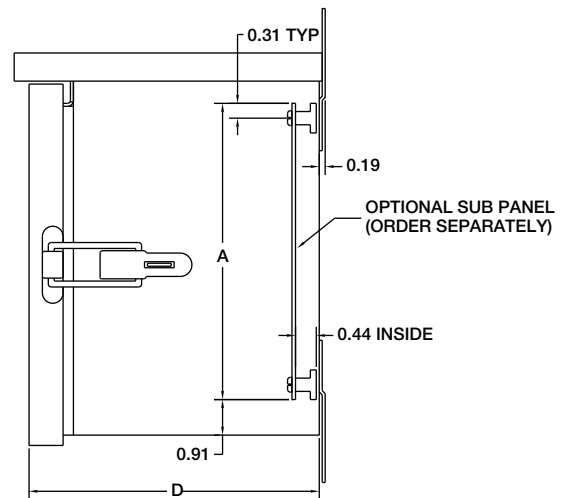
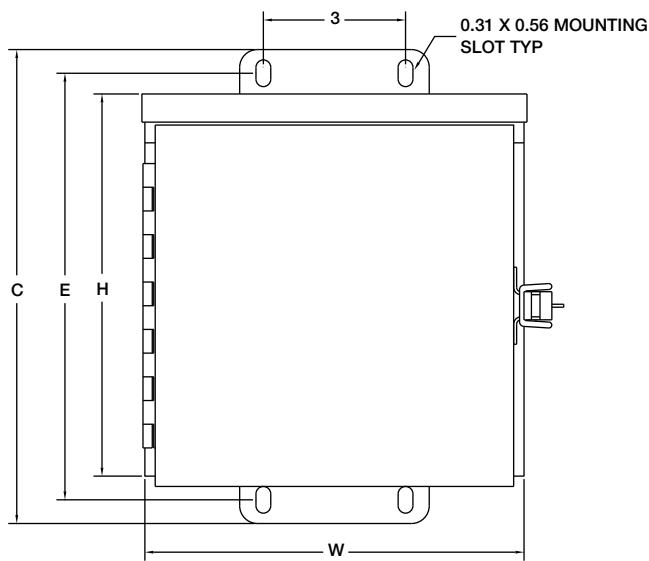
- ANSI-61 gray polyester powder inside and out over phosphatized surfaces
- **Optional** back panels are white polyester powder over phosphatized surfaces

Accessories

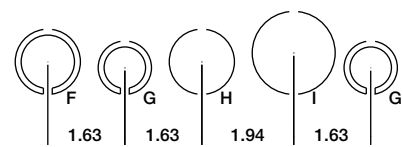
- Back panels (reference tables)
- See pages J1-J19

"SMALL" RHC SERIES HINGE COVER ENCLOSURES							
CATALOG NUMBER	BODY/DOOR STEEL GAUGE	ENCLOSURE SIZE H X W X D	KNOCKOUT PATTERN	BACK PANEL CATALOG NUMBER*	BACK PANEL SIZE A X B	C	E
RHC060604	16/16	6.06x6.00x4.13 (154x152x105)	G-F-G	N1P0606	4.25x4.25 (108x108)	8.00 (203)	7.00 (178)
RHC060804	16/16	8.06x6.00x4.13 (205x152x105)	G-F-G	N1P0608	6.25x4.25 (159x108)	10.00 (254)	9.00 (229)
RHC080804	16/16	8.06x8.00x4.13 (205x203x105)	G-F-G	N1P0808	6.25x6.25 (159x159)	10.00 (254)	9.00 (229)
RHC080806	16/16	8.06x8.00x6.13 (205x203x156)	G-F-G	N1P0808	6.25x6.25 (159x159)	10.00 (254)	9.00 (229)
RHC081006	16/16	10.06x8.00x6.13 (256x203x156)	G-F-G	N1P0810	8.25x6.25 (210x159)	12.00 (305)	11.00 (279)
RHC101206	16/16	12.06x10.00x6.13 (306x254x156)	G-F-G	N1P1012	10.25x8.25 (260x210)	14.00 (356)	13.00 (330)
RHC121206	16/16	12.06x12.00x6.13 (306x305x156)	F-G-H-I-G	N1P1212	10.25x10.25 (260x260)	14.00 (356)	13.00 (330)

* Back panels must be ordered separately.



KNOCKOUT PATTERN
 (PATTERNS ARE CENTERED IN WIDTH)



- F = 3/4" X 1" CONCENTRIC KO
- G = 1/2" X 3/4" CONCENTRIC KO
- H = 1" SOLID KO
- I = 1-1/4" SOLID KO

RHC SERIES ENCLOSURES
"MEDIUM" NEMA 3R HINGE COVER WALL-MOUNT



RHC161606

Industry Standards

UL 508, Types 1 & 3R
 CSA Certified, Type 1 & 3R
 NEMA/EEMAC Type 1 & 3R

UL File E6924

CSA File LL66078

FEATURES-SPECIFICATIONS

Applications

Designed for use as wiring boxes and junction boxes. Provide protection in outdoor installations against rain, sleet, and snow, or indoors against dripping water.

Construction

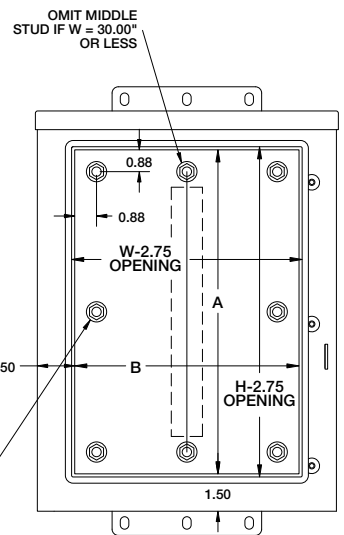
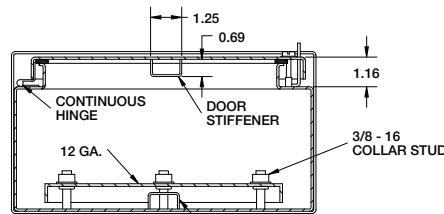
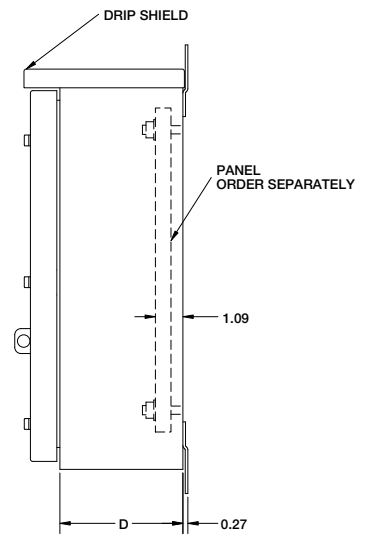
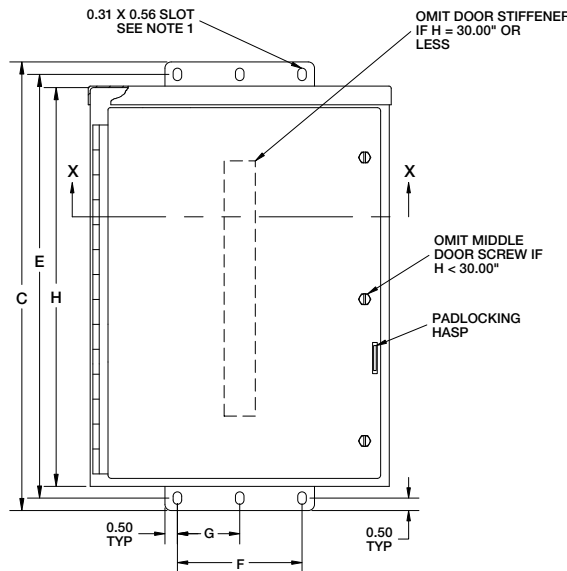
- Bodies and doors fabricated from 14 gauge carbon steel
- Continuous hinge
- Hinge is made of galvanized steel with a stainless steel pin
- No knockouts
- Collar studs provided for mounting **optional** back panels
- External mounting plates, top and bottom of enclosure
- Hasp and staple provided for padlocking
- Grounding provisions provided

Finish

- ANSI-61 gray polyester powder inside and out over phosphatized surfaces
- **Optional** back panels are white polyester powder over phosphatized surfaces

Accessories

- Back panels (reference tables)
- See pages J1-J19



NOTES:
 1. RHC303012 & larger have a 0.38 X 0.63 mounting slot.

**RHC SERIES ENCLOSURES
“MEDIUM” NEMA 3R HINGE COVER WALL-MOUNT**

B7



“MEDIUM” RHC SERIES HINGE COVER ENCLOSURES										
CATALOG NUMBER	BODY/DOOR STEEL GAUGE	ENCLOSURE SIZE H X W X D	BACK PANEL CATALOG NUMBER*	BACK PANEL SIZE A X B	C	E	F	G	STIFFENER	
									DOOR	BODY
RHC161206	14/14	16.00x12.00x6.00 (406x305x152)	NP1612	13.00x9.00 (330x229)	18.00 (457)	17.00 (432)	5.00 (127)	—	NO	NO
RHC161606	14/14	16.00x16.00x6.00 (406x406x152)	NP1616	13.00x13.00 (330x330)	18.00 (457)	17.00 (432)	9.00 (229)	—	NO	NO
RHC201606	14/14	20.00x16.00x6.00 (508x406x152)	NP2016	17.00x13.00 (432x330)	22.00 (559)	21.00 (533)	9.00 (229)	—	NO	NO
RHC202008	14/14	20.00x20.00x8.00 (508x508x203)	NP2020	17.00x17.00 (432x432)	22.00 (559)	21.00 (533)	13.00 (330)	—	NO	NO
RHC242008	14/14	24.00x20.00x8.00 (610x508x203)	NP2420	21.00x17.00 (533x432)	26.00 (660)	25.00 (635)	13.00 (330)	—	NO	NO
RHC242408	14/14	24.00x24.00x8.00 (610x610x203)	NP2424	21.00x21.00 (533x533)	26.00 (660)	25.00 (635)	17.00 (432)	—	NO	NO
RHC302408	14/14	30.00x24.00x8.00 (762x610x203)	NP3024	27.00x21.00 (686x533)	32.00 (813)	31.00 (787)	17.00 (432)	—	NO	NO
RHC303012	14/14	30.00x30.00x12.00 (762x762x305)	NP3030	27.00x27.00 (686x686)	32.00 (813)	31.00 (787)	27.00 (686)	13.50 (343)	NO	YES
RHC362412	14/14	36.00x24.00x12.00 (914x610x305)	NP3624	33.00x21.00 (838x533)	38.00 (965)	37.00 (940)	17.00 (432)	—	NO	NO
RHC363012	14/14	36.00x30.00x12.00 (914x762x305)	NP3630	33.00x27.00 (838x686)	38.00 (965)	37.00 (940)	27.00 (686)	13.50 (343)	NO	YES
RHC363612	14/14	36.00x36.00x12.00 (914x914x305)	NP3636	33.00x33.00 (838x838)	38.00 (965)	37.00 (940)	27.00 (686)	13.50 (343)	YES	YES
RHC423012	14/14	42.00x30.00x12.00 (1067x762x305)	NP4230	39.00x27.00 (991x686)	44.00 (1118)	43.00 (1092)	27.00 (686)	13.50 (343)	YES	YES
RHC423612	14/14	42.00x36.00x12.00 (1067x914x305)	NP4236	39.00x33.00 (991x838)	44.00 (1118)	43.00 (1092)	27.00 (686)	13.50 (343)	YES	YES
RHC483612	14/14	48.00x36.00x12.00 (1219x914x305)	NP4836	45.00x33.00 (1143x838)	50.00 (1270)	49.00 (1245)	27.00 (686)	13.50 (343)	YES	YES
RHC603612	14/14	60.00x36.00x12.00 (1524x914x305)	NP6036	57.00x33.00 (1448x838)	62.00 (1575)	61.00 (1549)	27.00 (686)	13.50 (343)	YES	YES
RHC303016	14/14	30.00x30.00x16.00 (762x762x406)	NP3030	27.00x27.00 (686x686)	32.00 (813)	31.00 (787)	27.00 (686)	13.50 (343)	NO	YES
RHC483616	14/14	48.00x36.00x16.00 (1219x914x406)	NP4836	45.00x33.00 (991x838)	50.00 (1270)	49.00 (1245)	27.00 (686)	13.50 (343)	YES	YES

* Back panels must be ordered separately.

**LOH SERIES ENCLOSURES
NEMA 3R HINGE COVER WALL-MOUNT**



LOH121206

Industry Standards

UL 50, Types 1 & 3R
CSA Certified, Type 1 & 3R
NEMA/EEMAC Type 1 & 3R

 UL File E6924

 CSA File LL66078

FEATURES-SPECIFICATIONS

Applications

Designed for use as wiring box and junction box. Provide protection in outdoor installations against rain, sleet, and snow, or indoors against dripping water.

Construction

- Bodies and doors fabricated from 16 or 14 gauge carbon steel (reference table)
- Drip shield top and seam-free sides, front, and back

- Door is hinged on left side with lift off hinges
- Stainless steel hinge pin
- No knockouts
- Mounting holes are provided on back of enclosure
- Door fastened securely with draw pull catch
- Provision for padlocking
- Grounding provisions provided

Finish

- ANSI-61 gray polyester powder inside and out over phosphatized surfaces
- **Optional** back panels are white polyester powder over phosphatized surfaces

Accessories

- Mounting feet kit (reference table, see page B8)
- Back panels (reference table)
- For accessories see pages J1-J19

LOH SERIES HINGE COVER ENCLOSURES											
CATALOG NUMBER	BODY/DOOR STEEL GAUGE	ENCLOSURE SIZE H X W X D	BACK PANEL CATALOG NUMBER*	BACK PANEL SIZE A X B	C	E	F	G	H	I	J
LOH080604**	16/16	8.00x6.00x4.00 (203x152.00x102)	P0606	4.88x4.88 (124x124)	10.13 (257)	9.13 (232)	4.00 (102)	2.25 (57)	0.31 (8)	1.56 (40)	0.56 (14)
LOH080806**	16/16	8.00x8.00x6.00 (203x203.00x152)	P0806	6.88x4.88 (175x124)	10.13 (257)	9.13 (232)	4.00 (102)	2.25 (57)	0.31 (8)	1.56 (40)	1.56 (40)
LOH100806	16/16	10.00x8.00x6.00 (254x203x152)	P0808	6.88x6.88 (174x174)	12.13 (308)	11.13 (283)	4.00 (102)	2.25 (57)	0.31 (8)	1.56 (40)	0.56 (14)
LOH121006	16/16	12.00x10.00x6.00 (305x254x152)	P1010	8.88x8.88 (226x226)	14.13 (359)	13.13 (334)	4.00 (102)	2.25 (57)	0.31 (8)	1.56 (40)	0.56 (14)
LOH121206	16/16	12.00x12.00x6.00 (305x305x152)	P1210	10.88x8.88 (276x226)	14.13 (359)	13.13 (334)	4.00 (102)	2.25 (57)	0.31 (8)	1.56 (40)	1.56 (40)
LOH161206	16/16	16.00x12.00x6.00 (406x305x152)	P1412	12.88x10.88 (327x175)	18.13 (461)	17.13 (435)	4.00 (102)	2.25 (57)	0.31 (8)	1.56 (40)	0.56 (14)
LOH161606	14/14	16.00x16.00x6.00 (406x406x152)	NP1616	13.00x13.00 (330x330)	18.13 (461)	17.19 (437)	13.00 (330)	13.00 (330)	0.88 (22)	1.50 (38)	1.50 (38)
LOH201606	14/14	20.00x16.00x6.00 (508x406x152)	NP2016	17.00x13.00 (432x330)	22.19 (564)	21.19 (538)	13.00 (330)	13.00 (330)	0.88 (22)	1.50 (38)	1.50 (38)
LOH202008	14/14	20.00x20.00x8.00 (508x508x203)	NP2020	17.00x17.00 (432x432)	22.19 (564)	21.19 (538)	13.00 (330)	13.00 (330)	0.88 (22)	1.50 (38)	1.50 (38)
LOH242008	14/14	24.00x20.00x8.00 (610x508x203)	NP2420	21.00x17.00 (533x432)	26.19 (665)	25.19 (640)	13.00 (330)	13.00 (330)	0.88 (22)	1.50 (38)	1.50 (38)
LOH242408	14/14	24.00x24.00x8.00 (610x610x203)	NP2424	21.00x21.00 (533x533)	26.19 (665)	25.19 (640)	13.00 (330)	13.00 (330)	0.88 (22)	1.50 (38)	1.50 (38)
LOH302408	14/14	30.00x24.00x8.00 (762x610x203)	NP3024	27.00x21.00 (686x533)	32.19 (818)	21.19 (538)	13.00 (330)	13.00 (330)	0.88 (22)	1.50 (38)	1.50 (38)

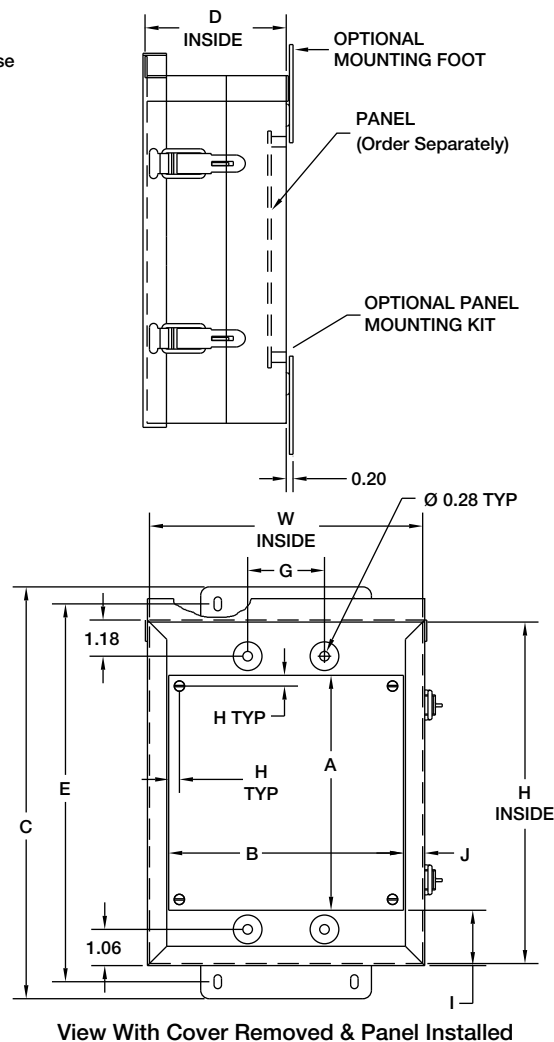
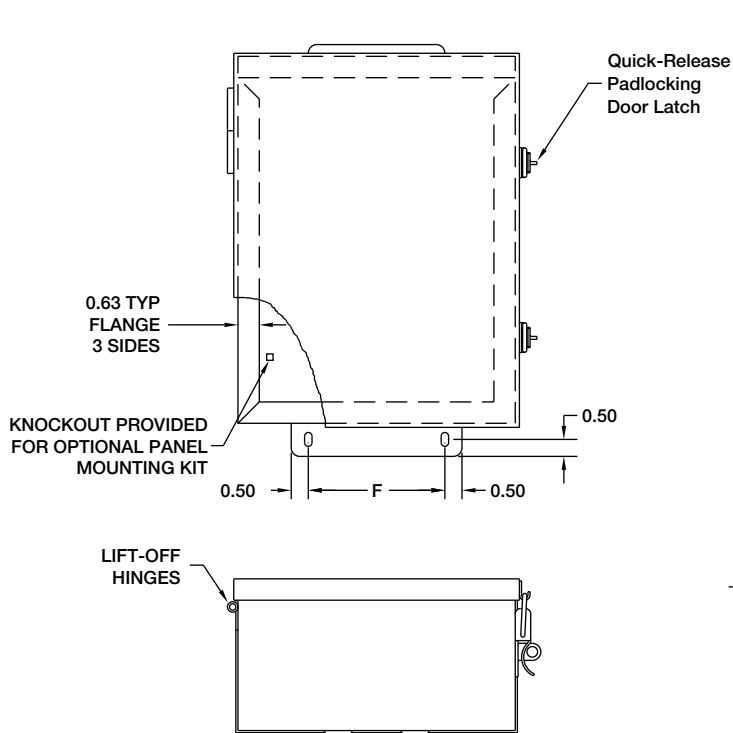
* Back panels must be ordered separately. If a back panel is required, an optional panel mounting kit is required. See page B9.

** One draw pull catch.

Note: If mounting feet are required, an optional mounting foot kit is required. See page B9.

PANEL MOUNTING KIT (OPTIONAL)	
CATALOG NUMBER	DESCRIPTION
WAPMK3RL016	Panel Mounting Kit for 16 ga. Enclosures
WAPMK3RL014	Panel Mounting Kit for 14 ga. Enclosures

MOUNTING FOOT KIT (OPTIONAL)				
CATALOG NUMBER	DESCRIPTION	OVERALL WIDTH OF FOOT	GAUGE OF MATERIAL	HOLE SPACING
WAMFK3RL016	Mounting Foot Kit for Enclosures 16x12x6 and smaller	5.00 (127)	14	4.00 (102)
WAMFK3RL014	Mounting Foot Kit for Enclosures 16x16x6 and larger	14.00 (356)	10	13.00 (330)



WCT SERIES ENCLOSURES NEMA 3R SCREW COVER WALL-MOUNT



WCT242412

Industry Standards

UL 50, Types 1 & 3R
CSA Certified, Type 1 & 3R
NEMA/EEMAC Type 1 & 3R

 UL File E23553

 CSA File LL66078

FEATURES-SPECIFICATIONS

Applications

Designed for use as transformer housings, junction boxes, and service boxes.

Construction

- Drip shield top and smooth seamless sides and front
- A slip-on removable cover is securely fastened with plated screws located along bottom edge

- No gasketing is required
- Mounting holes on back of cabinet
- Door handles provided
- Hasp for padlocking and provisions for meter seal are provided
- Grounding provisions provided
- For removal of cover, move downward, then outward

Finish

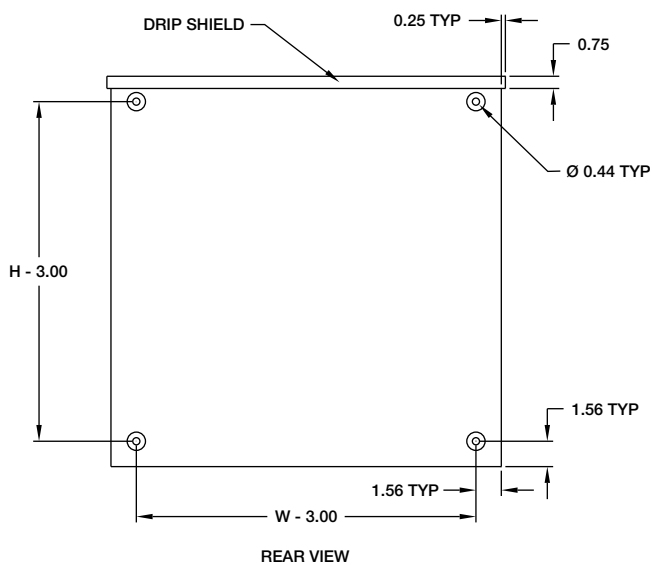
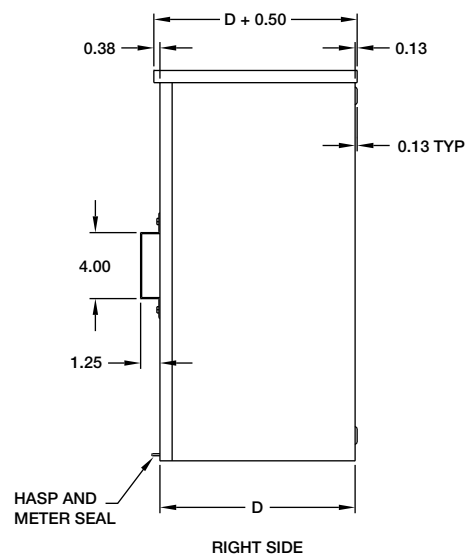
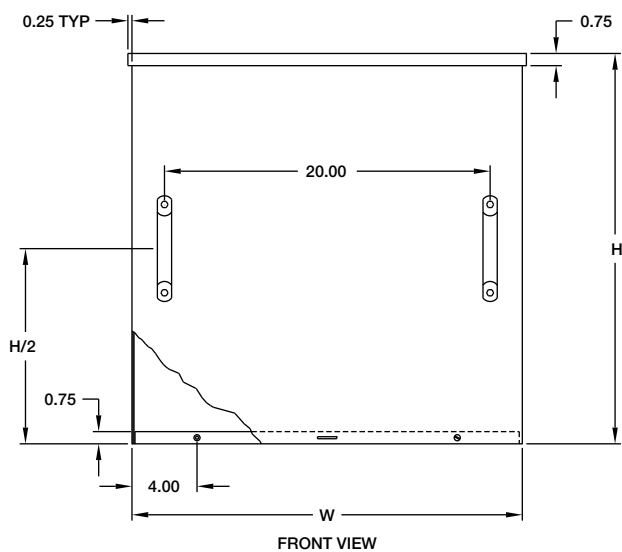
- ANSI-61 gray polyester powder inside and out over phosphatized surfaces

Accessories

- See pages J1-J19

WCT SERIES SCREW COVER ENCLOSURES

CATALOG NUMBER	BODY/DOOR STEEL GAUGE	ENCLOSURE SIZE H X W X D
WCT242412	14/14	24.00x24.00x12.00 (610x610x305)
WCT303012	12/12	30.00x30.00x12.00 (762x762x305)
WCT363012	12/12	36.00x30.00x12.00 (914x762x305)
WCT363612	12/12	36.00x36.00x12.00 (914x914x305)
WCT483616	12/12	48.00x36.00x16.00 (1220x914x406)





CT242412

Industry Standards
UL Listed Type 3R

 UL File E23553

 CSA File LL66078

FEATURES-SPECIFICATIONS

Applications

Enclosures are designed as a housing for current and voltage transformers, recorders, meters, junction, service box, relay and/or for terminal instrumentation.

Construction

- Manufactured from 14 and 12 gauge carbon steel
- Fully seam welded and ground smooth, with weep hole

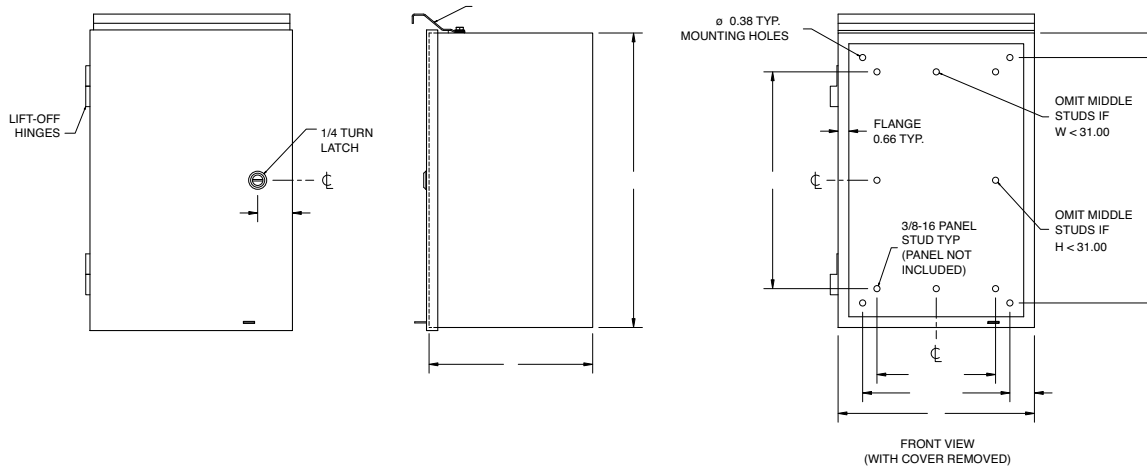
- Drip shield
- Lift off hinges, gasketed doors
- Supplied with non-locking 1/4 turn latch
- Meter seal provisions
- Mounting holes in back
- Supplied with studs in back of enclosure to support optional wood sub panel

Finish

- ANSI 61 polyester powder inside and out over phosphatized surfaces

CT SERIES SINGLE DOOR HINGE COVER ENCLOSURES

CATALOG NUMBER	ENCLOSURE SIZE H X W X D	BODY GAUGE	PANEL CATALOG NUMBER
CTSD121810	18.00x12.00x10.00 (457x305x254)	14	WBP1812
CTSD182410	24.00x10.00x10.00 (610x254x254)	14	WBP2418
CTSD202010	20.00x20.00x10.00 (508x508x254)	14	WBP2020
CTSD202412	24.00x20.00x12.00 (610x508x305)	14	WBP2420
CTSD242412	24.00x24.00x12.00 (610x610x305)	14	WBP2424
CTSD243012	30.00x24.00x12.00 (762x610x305)	14	WBP3024
CTSD243612	36.00x24.00x12.00 (914x610x305)	14	WBP3624
CTSD303612	36.00x30.00x12.00 (914x762x305)	12	WBP3630





CTDD363612

Industry Standards
UL Listed Type 3R

UL File E23553

CSA File LL66078

FEATURES-SPECIFICATIONS

Applications

Enclosures are designed as a housing for current and voltage transformers, recorders, meters, junction, service box, relay and/or for terminal instrumentation.

Construction

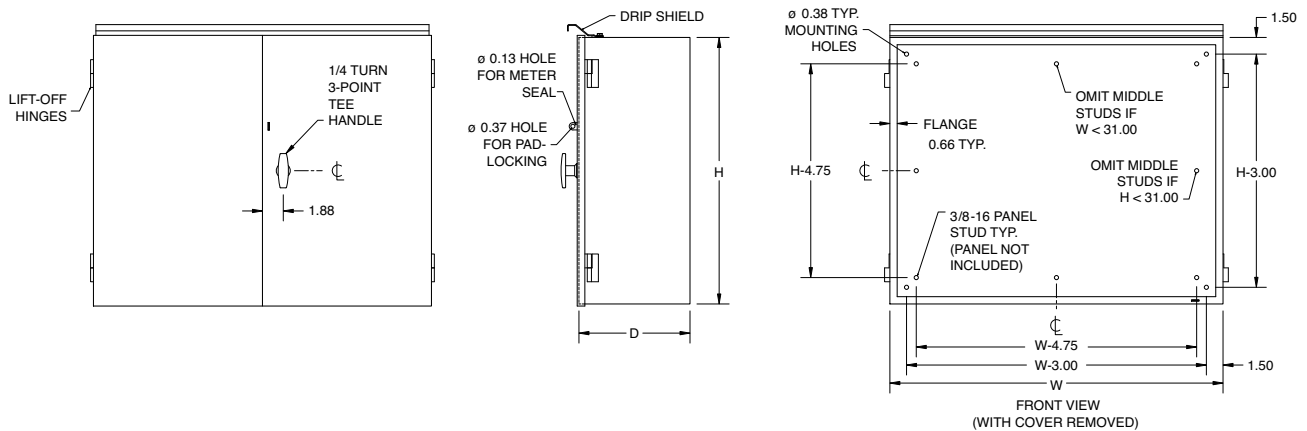
- Manufactured from 14 and 12 gauge carbon steel

- Fully seam welded and ground smooth, with weep hole
- Drip shield
- Lift off hinges, gasketed doors
- Supplied with non-locking "T" handle
- Meter seal provisions
- Mounting holes in back
- Supplied with studs in back of enclosure to support optional wood sub panel

Finish

- ANSI 61 polyester powder inside and out over phosphatized surfaces

CT SERIES DOUBLE DOOR HINGE COVER ENCLOSURES			
CATALOG NUMBER	ENCLOSURE SIZE H X W X D	BODY GAUGE	PANEL CATALOG NUMBER
CTDD302410	24.00x30.00x10.00 (610x762x254)	14	WBP3024
CTDD303012	30.00x30.00x12.00 (762x762x254)	12	WBP3030DD
CTDD303612	36.00x30.00x12.00 (914x762x254)	12	WBP3630
CTDD362412	24.00x36.00x12.00 (610x914x254)	14	WBP3624
CTDD363012	30.00x36.00x12.00 (762x914x254)	12	WBP3630
CTDD363212	32.00x36.00x12.00 (813x914x254)	12	WBP3236DD
CTDD363612	36.00x36.00x12.00 (914x914x254)	12	WBP3636DD
CTDD363616	36.00x36.00x12.00 (914x914x254)	12 </td <td>WBP3636DD</td>	WBP3636DD
CTDD443012	30.00x44.00x12.00 (762x1118x305)	12	WBP3044DD
CTDD424212	42.00x42.00x12.00 (1067x1067x305)	12	WBP4242DD
CTDD484816	48.00x48.00x16.00 (1219x1219x406)	12	WBP4848DD



NOTES

**B SERIES ENCLOSURES
NEMA 12 JIC LIFT OFF COVER WALL-MOUNT**



Industry Standards

UL 50, Types 12 & 13
(6.00" x 6.00" x 4.00" & above)
UL 508, Types 12 & 13
(6.00" x 4.00" x 4.00" & smaller)
CSA Certified, Type 12
NEMA/EEMAC Type 12 & 13
JIC EL-1-71

UL Files E23553, E64791

CSA File LL66078

FEATURES-SPECIFICATIONS

Applications

The Hubbell Wiegmann B Series JIC box is a standard of the automotive industry but has wide application in other industries. The box incorporates a chain secured lift off cover and is designed to safeguard components against exposure to dust, dirt, oil, and water.

Construction

- Bodies and doors fabricated from 16 and 14 gauge steel
- Continuously welded seams ground smooth, less knockouts or holes

- Lids are sealed with closed cell oil resistant neoprene gasket
- External mounting plates, top and bottom of enclosure
- Weldnuts are provided on models 6.00" x 4.00" and larger to secure **optional** back panel
- External screw clamps are quick and easy to operate
- Lift off cover design. Chain holds cover to box when cover is removed
- Ground stud located in door

Finish

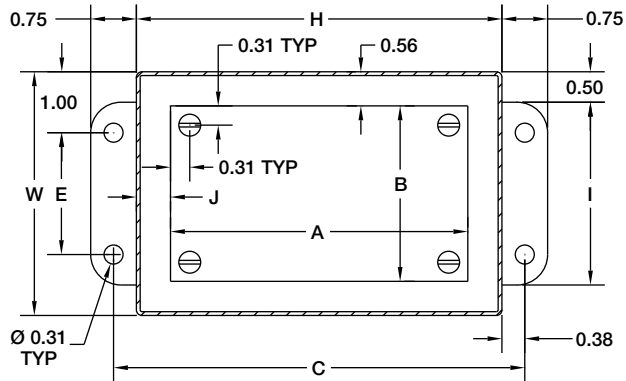
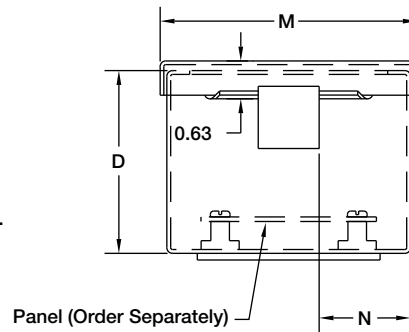
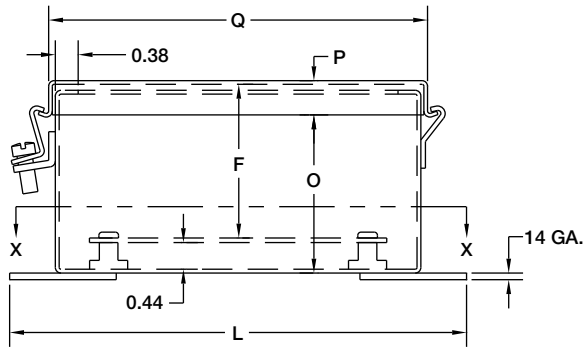
- ANSI 61 gray polyester powder inside and out over phosphatized surfaces
- **Optional** back panels are white polyester powder over phosphatized surfaces

Accessories

- Back panels (reference tables)
- See pages J1-J19

B SERIES JIC LIFT OFF COVER ENCLOSURES														
CATALOG NUMBER	BODY/DOOR STEEL GAUGE	ENCLOSURE SIZE H X W X D	BACK PANEL CATALOG NUMBER*	BACK PANEL SIZE A X B	MOUNTING C X E	OVERALL L X M	F	I	J	K	N	O	P	Q
B040403	14/16	4.00x4.00x3.00 (102x102x76)	—	—	4.75x2.00 (121x51)	5.50x4.31 (140x109)	2.53 (64)	3.00 (76)	—	1.38 (35)	1.50 (38)	2.59 (66)	0.56 (14)	4.31 (110)
B040404	14/16	4.00x4.00x4.00 (102x102x102)	—	—	4.75x2.00 (121x51)	5.50x4.31 (140x109)	3.53 (90)	3.00 (76)	—	1.38 (35)	1.50 (38)	3.59 (91)	0.56 (14)	4.31 (110)
B060403	14/16	6.00x4.00x3.00 (152x102x76)	P0604	4.88x2.88 (124x73)	6.75x2.00 (171x51)	7.50x4.31 (191x109)	2.53 (64)	3.00 (76)	0.56 (14)	1.38 (35)	1.50 (38)	2.59 (66)	0.56 (14)	6.31 (160)
B060404	14/16	6.00x4.00x4.00 (152x102x102)	P0604	4.88x2.88 (124x73)	6.75x2.00 (171x51)	7.50x4.31 (191x109)	3.53 (90)	3.00 (76)	0.56 (14)	1.38 (35)	1.50 (38)	3.59 (91)	0.56 (14)	6.31 (160)
B060604	14/16	6.00x6.00x4.00 (152x152x102)	P0606	4.88x4.88 (124x124)	6.75x4.00 (171x102)	7.50x6.31 (191x160)	3.53 (90)	5.00 (127)	0.56 (14)	2.38 (60)	1.00 (25)	3.59 (91)	0.56 (14)	6.31 (160)
B080603	14/16	8.00x6.00x3.50 (203x152x89)	P0806	6.88x4.88 (175x124)	8.75x4.00 (222x102)	9.50x6.31 (241x160)	3.03 (77)	5.00 (127)	0.56 (14)	2.38 (60)	1.00 (25)	3.09 (79)	0.56 (14)	8.31 (211)
B080606	14/16	8.00x6.00x6.00 (203x152x152)	P0806	6.88x4.88 (175x124)	8.75x4.00 (222x102)	9.50x6.31 (241x160)	5.53 (141)	5.00 (127)	0.56 (14)	2.38 (60)	1.00 (25)	5.59 (142)	0.56 (14)	8.31 (211)
B080804	14/16	8.00x8.00x4.00 (203x203x102)	P0808	6.88x6.88 (175x175)	8.75x6.00 (222x152)	9.50x8.31 (241x211)	3.53 (90)	7.00 (178)	0.56 (14)	1.00 (25)	1.00 (25)	3.59 (91)	0.56 (14)	8.31 (211)
B100804	14/16	10.00x8.00x4.00 (254x203x102)	P1008	8.88x6.88 (226x175)	10.75x6.00 (273x152)	11.50x8.31 (292x211)	3.53 (90)	7.00 (178)	0.56 (14)	1.00 (25)	1.00 (25)	3.59 (91)	0.56 (14)	10.31 (262)
B100806	14/16	10.00x8.00x6.00 (254x203x152)	P1008	8.88x6.88 (226x175)	10.75x6.00 (273x152)	11.50x8.31 (292x211)	5.53 (141)	7.00 (178)	0.56 (14)	1.00 (25)	1.00 (25)	5.59 (142)	0.56 (14)	10.31 (262)
B121005	14/16	12.00x10.00x5.00 (305x254x127)	P1210	10.88x8.88 (276x226)	12.75x8.00 (324x203)	13.50x10.31 (343x262)	4.53 (115)	9.00 (229)	0.56 (14)	1.00 (25)	1.00 (25)	4.59 (117)	0.56 (14)	12.31 (313)
B121206	14/16	12.00x12.00x6.00 (305x305x152)	P1212	10.88x10.88 (276x276)	12.75x10.00 (324x254)	13.50x12.31 (343x313)	5.53 (141)	11.00 (279)	0.56 (14)	1.00 (25)	1.00 (25)	5.59 (142)	0.56 (14)	12.31 (313)
B141206	14/16	14.00x12.00x6.00 (356x305x152)	P1412	12.88x10.88 (327x276)	14.75x10.00 (375x254)	15.50x12.31 (394x313)	5.53 (141)	11.00 (279)	0.56 (14)	1.00 (25)	1.00 (25)	5.59 (142)	0.56 (14)	14.31 (364)
B161406	14/16	16.00x14.00x6.00 (406x356x152)	P1614	14.88x12.88 (378x327)	16.75x12.00 (425x305)	17.50x14.31 (445x363)	5.53 (141)	13.00 (330)	0.56 (14)	1.00 (25)	1.00 (25)	5.59 (142)	0.56 (14)	16.31 (414)

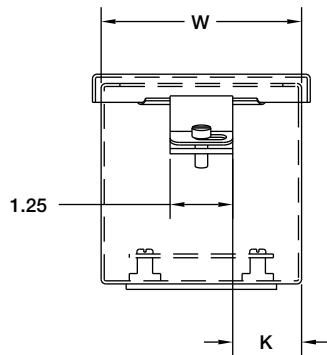
*Back panels must be ordered separately.



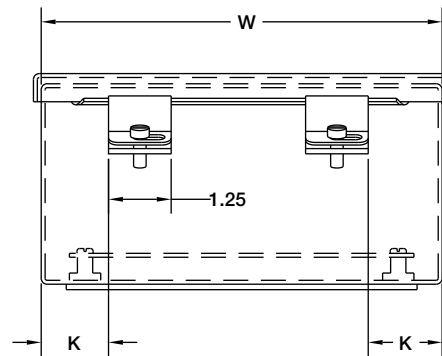
SECTION X-X

Notes:

1. Panels are 14 Ga. Steel.
2. Panel screws are #10-32 Pan Head.
3. Two clamps are used if W = 8" or more.
4. Chain is supplied but not shown.



VIEW SHOWING CLAMP POSITION
WHEN "W" IS LESS THAN 8"



VIEW SHOWING CLAMP POSITION
WHEN "W" EQUALS 8" OR MORE

**B-CH SERIES ENCLOSURES
NEMA 12 JIC CONTINUOUS HINGE WALL-MOUNT**



B101006CH

Industry Standards

UL 50, Types 12 & 13
CSA Certified, Type 12
NEMA/EEMAC Type 12 & 13
JIC EL-1-71

UL Files E6924

CSA File LL66078

FEATURES-SPECIFICATIONS

Applications

Intended for use as electrical junction boxes, terminal wiring boxes, and instrument housings. Hinged door provides convenient access. Designed to provide protection from dust, dirt, oil, and water.

Construction

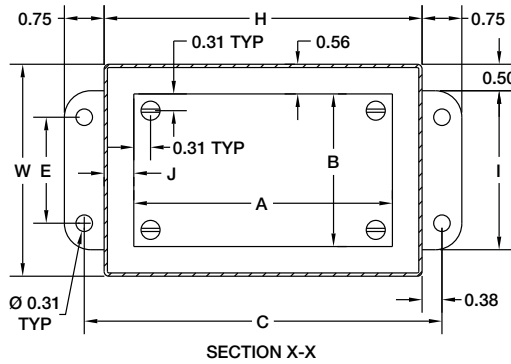
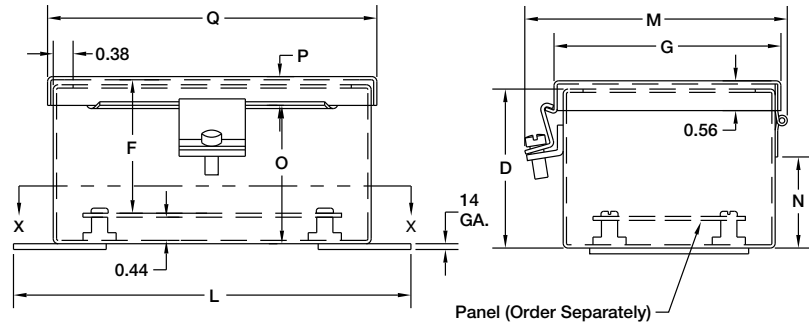
- Bodies and doors fabricated from 16 and 14 gauge steel
- Continuously welded seams ground smooth, less knockouts or holes
- Lids are sealed with closed cell oil resistant neoprene gasket
- External mounting plates, top and bottom of enclosure
- Weldnuts are provided for mounting optional panels securely on models 6.00" x 4.00" and larger
- External screw clamps are quick and easy to operate
- Standard continuous hinge
- Ground stud located in door

Finish

- ANSI-61 gray polyester powder inside and out over phosphatized surfaces
- **Optional** back panels are white polyester powder over phosphatized surfaces

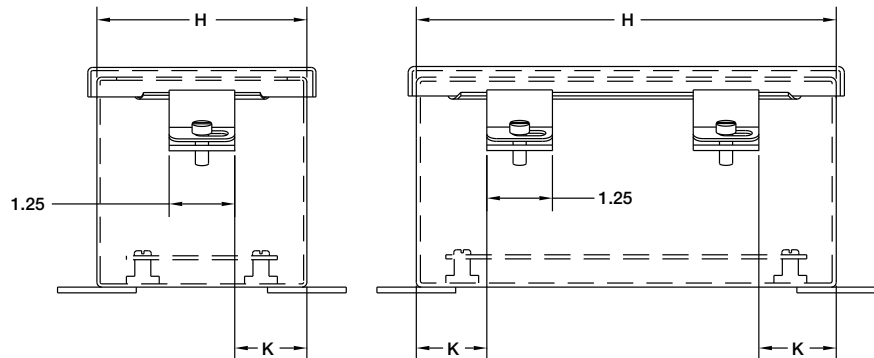
Accessories

- Back panels (reference tables)
- See pages J1- J19



Notes:

1. Panels are 14 Ga. steel.
2. Panel Screws are #10-32 Pan Head.
3. Two clamps are used if "H" = 8.00"



VIEW SHOWING CLAMP POSITION WHEN "H" IS LESS THAN 8"

VIEW SHOWING CLAMP POSITION WHEN "H" EQUALS 8" OR MORE

**B-CH SERIES ENCLOSURES
NEMA 12 JIC CONTINUOUS HINGE WALL-MOUNT**

C5

B-CH SERIES JIC CONTINUOUS HINGE ENCLOSURES															
CATALOG NUMBER	BODY/DOOR STEEL GAUGE	ENCLOSURE SIZE H X W X D	BACK PANEL CATALOG NUMBER*	BACK PANEL SIZE A X B	MOUNTING C X E	OVERALL L X M	F	G	I	J	K	N	O	P	Q
B040403CH	14/16	4.00x4.00x3.00 (102x102x76)	—	—	4.75x2.00 (121x51)	5.50x5.00 (140x127)	2.53 (76)	4.31 (109)	3.00 (76)	—	1.38 (35)	1.78 (45)	2.53 (64)	0.63 (16)	4.31 (110)
B040404CH	14/16	4.00x4.00x4.00 (102x102x102)	—	—	4.75x2.00 (121x51)	5.50x5.00 (140x127)	3.53 (101)	4.31 (109)	3.00 (76)	—	1.38 (35)	2.78 (71)	3.53 (90)	0.63 (16)	4.31 (110)
B060403CH	14/16	6.00x4.00x3.00 (152x102x76)	P0604	4.88x2.88 (124x73)	6.75x2.00 (171x51)	7.50x5.00 (191x127)	2.53 (76)	4.31 (109)	3.00 (76)	0.56 (14)	2.38 (60)	1.78 (45)	2.53 (64)	0.63 (16)	6.31 (160)
B060404CH	14/16	6.00x4.00x4.00 (152x102x102)	P0604	4.88x2.88 (124x73)	6.75x2.00 (171x51)	7.50x5.00 (191x127)	3.53 (101)	4.31 (109)	3.00 (76)	0.56 (14)	2.38 (60)	2.78 (71)	3.53 (90)	0.63 (16)	6.31 (160)
B060604CH	14/16	6.00x6.00x4.00 (152x152x102)	P0606	4.88x4.88 (124x124)	6.75x4.00 (171x102)	7.50x7.00 (191x178)	3.53 (101)	6.31 (160)	5.00 (127)	0.56 (14)	2.38 (60)	2.78 (71)	3.53 (90)	0.63 (16)	6.31 (160)
B080603CH	14/16	8.00x6.00x3.50 (203x152x89)	P0806	6.88x4.88 (175x124)	8.75x4.00 (222x102)	9.50x7.00 (241x178)	3.03 (88)	6.31 (160)	5.00 (127)	0.56 (14)	1.00 (25)	2.28 (58)	3.03 (77)	0.63 (16)	8.31 (211)
B080606CH	14/16	8.00x6.00x6.00 (203x152x152)	P0806	6.88x4.88 (175x124)	8.75x4.00 (222x102)	9.50x7.00 (241x178)	5.53 (152)	6.31 (160)	5.00 (127)	0.56 (14)	1.00 (25)	4.78 (121)	5.53 (141)	0.63 (16)	8.31 (211)
B080804CH	14/16	8.00x8.00x4.00 (203x203x102)	P0808	6.88x6.88 (175x175)	8.75x6.00 (222x152)	9.50x9.00 (241x229)	3.53 (101)	8.31 (211)	7.00 (178)	0.56 (14)	1.00 (25)	2.78 (71)	3.53 (90)	0.63 (16)	8.31 (211)
B100804CH	14/16	10.00x8.00x4.00 (254x203x102)	P1008	8.88x6.88 (226x175)	10.75x6.00 (273x152)	11.50x9.00 (292x229)	3.53 (101)	8.31 (211)	7.00 (178)	0.56 (14)	1.00 (25)	2.78 (71)	3.53 (90)	0.63 (16)	10.31 (262)
B100804CHS	14/16	8.00x10.00x4.00 (203x254x102)	P1008	8.88x6.88 (226x175)	10.75x6.00 (273x152)	11.50x9.00 (292x229)	3.53 (101)	8.31 (211)	7.00 (178)	0.56 (14)	1.00 (25)	2.78 (71)	3.53 (90)	0.63 (16)	10.31 (262)
B100806CH	14/16	10.00x8.00x6.00 (254x203x152)	P1008	8.88x6.88 (226x175)	10.75x6.00 (273x152)	11.50x9.00 (292x229)	5.53 (152)	8.31 (211)	7.00 (178)	0.56 (14)	1.00 (25)	4.78 (121)	5.53 (141)	0.63 (16)	10.31 (262)
B101006CH	14/16	10.00x10.00x6.00 (254x254x152)	P1010	8.88x8.88 (225x225)	10.75x8.00 (273x203)	11.50x11.00 (292x279)	5.53 (152)	10.31 (262)	9.00 (229)	0.56 (14)	1.00 (25)	4.78 (121)	5.53 (141)	0.63 (16)	10.31 (262)
B120604CH	14/16	12.00x6.00x4.00 (305x152x102)	P1206	10.88x4.88 (276x124)	12.75x4.00 (324x102)	13.50x7.00 (343x178)	3.53 (101)	6.31 (160)	5.00 (127)	0.56 (14)	1.00 (25)	2.78 (71)	3.53 (90)	0.63 (16)	12.31 (313)
B121005CH	14/16	10.00x12.00x5.00 (254x305x127)	P1210	10.88x8.88 (276x226)	12.75x8.00 (324x203)	13.50x11.00 (343x279)	4.53 (127)	10.31 (262)	9.00 (229)	0.56 (14)	1.00 (25)	3.78 (96)	4.53 (115)	0.63 (16)	12.31 (313)
B121005CHS	14/16	10.00x12.00x5.00 (254x305x127)	P1210	10.88x8.88 (276x226)	12.75x8.00 (324x203)	13.50x11.00 (343x279)	4.53 (127)	10.31 (262)	9.00 (229)	0.56 (14)	1.00 (25)	3.78 (96)	4.53 (115)	0.63 (16)	12.31 (313)
B121008CH	14/16	12.00x10.00x8.00 (305x254x203)	P1210	10.88x8.88 (276x226)	12.75x8.00 (324x203)	13.50x11.00 (343x279)	7.53 (203)	10.31 (262)	9.00 (229)	0.56 (14)	1.00 (25)	6.78 (172)	7.53 (191)	0.63 (16)	12.31 (313)
B121206CH	14/16	12.00x12.00x6.00 (305x305x152)	P1212	10.88x10.88 (276x276)	12.75x10.00 (324x254)	13.50x13.00 (343x330)	5.53 (152)	12.31 (313)	11.00 (279)	0.56 (14)	1.00 (25)	4.78 (121)	5.53 (141)	0.63 (16)	12.31 (313)
B140806CH	14/16	14.00x8.00x6.00 (356x203x152)	P1408	12.88x6.88 (327x175)	14.75x6.00 (375x152)	15.50x9.00 (394x229)	5.53 (152)	8.31 (211)	7.00 (178)	0.56 (14)	1.00 (25)	4.78 (121)	5.53 (141)	0.63 (16)	14.31 (364)
B141206CH	14/16	14.00x12.00x6.00 (356x305x152)	P1412	12.88x10.88 (327x276)	14.75x10.00 (375x254)	15.50x13.00 (394x330)	5.53 (152)	12.31 (313)	11.00 (279)	0.56 (14)	1.00 (25)	4.78 (121)	5.53 (141)	0.63 (16)	14.31 (364)
B141206CHS	14/16	12.00x14.00x6.00 (305x356x152)	P1412	12.88x10.88 (327x276)	14.75x10.00 (375x254)	15.50x13.00 (394x330)	5.53 (152)	12.31 (313)	11.00 (279)	0.56 (14)	1.00 (25)	4.78 (121)	5.53 (141)	0.63 (16)	14.31 (364)
B141208CH	14/16	14.00x12.00x8.00 (356x305x203)	P1412	12.88x10.88 (327x276)	14.75x10.00 (375x254)	15.50x13.00 (394x330)	7.53 (203)	12.31 (313)	11.00 (279)	0.56 (14)	1.00 (25)	6.78 (172)	7.53 (191)	0.63 (16)	14.31 (364)
B161006CH	14/16	16.00x10.00x6.00 (406x254x152)	P1610	14.88x8.88 (378x226)	16.75x8.00 (425x203)	17.50x11.00 (445x279)	5.53 (152)	10.31 (262)	9.00 (229)	0.56 (14)	1.00 (25)	4.78 (121)	5.53 (141)	0.63 (16)	16.31 (414)
B161406CH	14/16	16.00x14.00x6.00 (406x356x152)	P1614	14.88x12.88 (378x327)	16.75x12.00 (425x305)	17.50x15.00 (445x381)	5.53 (152)	14.31 (363)	13.00 (330)	0.56 (14)	1.00 (25)	4.78 (121)	5.53 (141)	0.63 (16)	16.31 (414)
B161406CHS	14/16	14.00x16.00x6.00 (356x406x152)	P1614	14.88x12.88 (378x327)	16.75x12.00 (425x305)	17.50x15.00 (445x381)	5.53 (152)	14.31 (363)	13.00 (330)	0.56 (14)	1.00 (25)	4.78 (121)	5.53 (141)	0.63 (16)	16.31 (414)
B161408CH	14/16	16.00x14.00x8.00 (406x356x203)	P1614	14.88x12.88 (378x327)	16.75x12.00 (425x305)	17.50x15.00 (445x381)	7.53 (203)	14.31 (363)	13.00 (330)	0.56 (14)	1.00 (25)	6.78 (172)	7.53 (191)	0.63 (16)	16.31 (414)
B161410CH	14/14	16.00x14.00x10.00 (406x356x254)	P1614	14.88x12.88 (378x327)	16.75x12.00 (425x305)	17.50x15.00 (445x381)	9.53 (254)	14.31 (363)	13.00 (330)	0.56 (14)	1.00 (25)	8.78 (223)	9.53 (242)	0.63 (16)	16.31 (414)

*Back panels must be ordered separately.

**LARGE B-CH SERIES ENCLOSURES
NEMA 12 JIC CONTINUOUS HINGE WALL-MOUNT**



B202007CH

Industry Standards

UL 508, Types 12 & 13
CSA Certified, Types 12 & 13
NEMA/EEMAC Type 12
JIC EL-1-71

UL File E6924

CSA File LL66078

FEATURES-SPECIFICATIONS

Applications

Designed to house electrical controls, terminals, instruments and components. Provide protection from dirt, dust, oil and water.

Construction

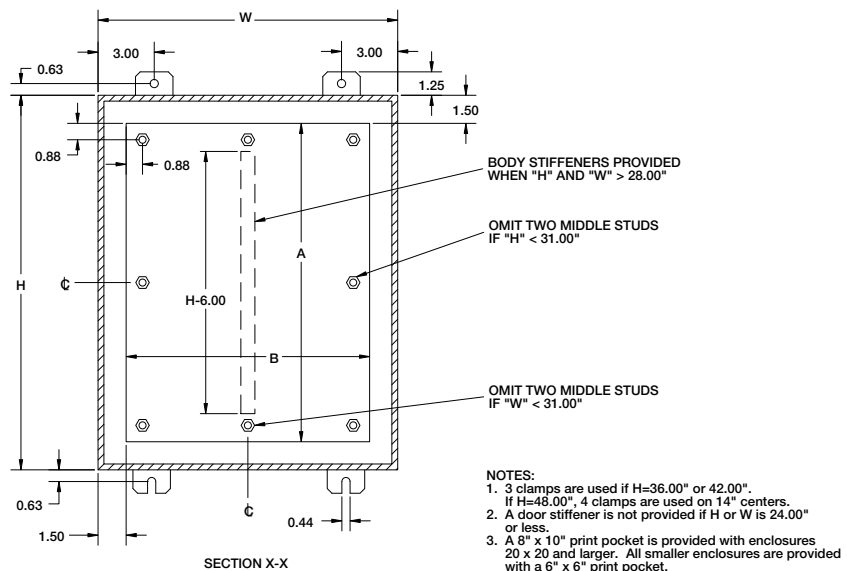
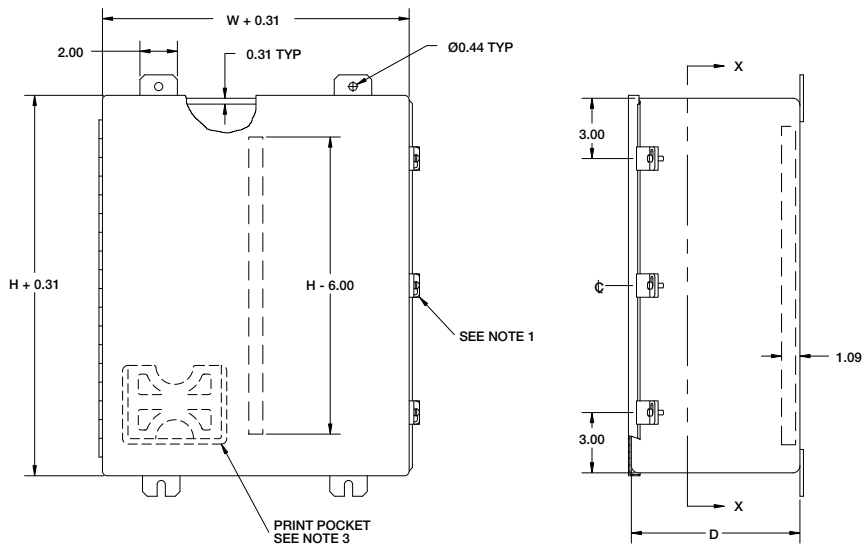
- Bodies and doors fabricated from 14 gauge steel
- Continuously welded seams ground smooth, less knockouts or holes
- Doors are sealed with poured in place polyurethane gasket
- External screw clamps on door
- Continuously hinged door is removable by pulling hinge pin
- Print pocket is provided
- Door and body stiffeners are provided in larger enclosures for added rigidity
- Collar studs are provided for mounting **optional** back panels
- External mounting feet
- Ground stud located in door

Finish

- ANSI-61 gray polyester powder inside and out over phosphatized surfaces
- **Optional** back panels are white polyester powder over phosphatized surfaces

Accessories

- Back panels (reference tables)
- See pages J1- J19



NOTES:
1. 3 clamps are used if H=36.00" or 42.00". If H=48.00", 4 clamps are used on 14" centers.
2. A door stiffener is not provided if H or W is 24.00" or less.
3. A 8" x 10" print pocket is provided with enclosures 20 x 20 and larger. All smaller enclosures are provided with a 6" x 6" print pocket.

**LARGE B-CH SERIES ENCLOSURES
NEMA 12 JIC CONTINUOUS HINGE WALL-MOUNT**

C7

LARGE B-CH SERIES JIC CONTINUOUS HINGED ENCLOSURES						
CATALOG NUMBER	BODY/DOOR STEEL GAUGE	ENCLOSURE SIZE H X W X D	BACK PANEL CATALOG NUMBER*	BACK PANEL SIZE A X B	STIFFENER	
					DOOR	BODY
B201607CH	14/14	20.00x16.00x7.00 (508x406x178)	NP2016	17.00x13.00 (432x330)	NO	NO
B202007CH	14/14	20.00x20.00x7.00 (508x508x178)	NP2020	17.00x17.00 (432x432)	NO	NO
B242007CH	14/14	24.00x20.00x7.00 (610x508x178)	NP2420	21.00x17.00 (533x432)	NO	NO
B242407CH	14/14	24.00x24.00x7.00 (610x610x178)	NP2424	21.00x21.00 (533x533)	NO	NO
B302007CH	14/14	30.00x20.00x7.00 (762x508x178)	NP3020	27.00x17.00 (686x432)	NO	NO
B362407CH	14/14	36.00x24.00x7.00 (914x610x178)	NP3624	33.00x21.00 (838x533)	NO	NO
B201609CH	14/14	20.00x16.00x9.00 (508x406x229)	NP2016	17.00x13.00 (432x330)	NO	NO
B202009CH	14/14	20.00x20.00x9.00 (508x508x229)	NP2020	17.00x17.00 (432x432)	NO	NO
B242009CH	14/14	24.00x20.00x9.00 (610x508x229)	NP2420	21.00x17.00 (533x432)	NO	NO
B242409CH	14/14	24.00x24.00x9.00 (610x610x229)	NP2424	21.00x21.00 (533x533)	NO	NO
B302009CH	14/14	30.00x20.00x9.00 (762x508x229)	NP3020	27.00x17.00 (686x432)	NO	NO
B302409CH	14/14	30.00x24.00x9.00 (762x610x229)	NP3024	27.00x21.00 (686x533)	NO	NO
B362409CH	14/14	36.00x24.00x9.00 (914x610x229)	NP3624	33.00x21.00 (838x533)	NO	NO
B363009CH	14/14	36.00x30.00x9.00 (914x762x229)	NP3630	33.00x27.00 (838x686)	NO	YES
B423609CH	14/14	42.00x36.00x9.00 (1067x914x229)	NP4236	39.00x33.00 (991x838)	YES	YES
B242411CH	14/14	24.00x24.00x11.00 (610x610x279)	NP2424	21.00x21.00 (533x533)	NO	NO
B362411CH	14/14	36.00x24.00x11.00 (914x610x279)	NP3624	33.00x21.00 (838x533)	NO	NO
B483611CH	14/14	48.00x36.00x11.00 (1219x914x279)	NP4836	45.00x33.00 (1143x838)	YES	YES
B302413CH	14/14	30.00x24.00x13.00 (762x610x330)	NP3024	27.00x21.00 (686x533)	NO	NO
B363013CH	14/14	36.00x30.00x13.00 (914x762x330)	NP3630	33.00x27.00 (838x686)	NO	YES

* Back panels must be ordered separately.

**B-CHQR SERIES ENCLOSURES
NEMA 12 JIC CONTINUOUS HINGE QUICK-RELEASE WALL-MOUNT**



B060604CHQR

Industry Standards

UL 50, Types 12 & 13
CSA Certified, Type 12
NEMA/EEMAC Type 12 & 13
JIC EL-1-71

UL Files E6924

CSA File LL66078

FEATURES-SPECIFICATIONS

Applications

Intended for use as electrical junction boxes, terminal wiring boxes, and instrument housings. Hinged door with quick-release latching provide convenient access. Designed to provide protection from dust, dirt, oil, and water.

Construction

- Bodies and doors fabricated from 16 and 14 gauge steel
- Continuously welded seams ground smooth, less knockouts or holes

- Lids are sealed with closed cell oil resistant neoprene gasket
- External mounting plates, top and bottom of enclosure
- Weldnuts are provided for mounting optional panels securely on models 6.00" x 4.00" and larger
- External quick release latches secure cover
- Standard continuous hinge secures cover
- Ground stud located in door

Finish

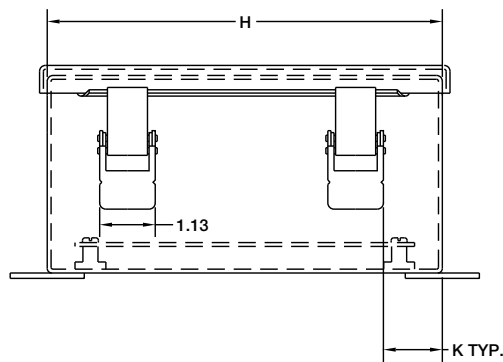
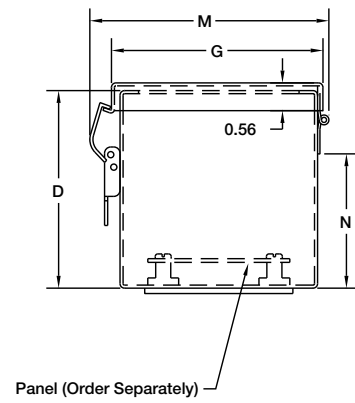
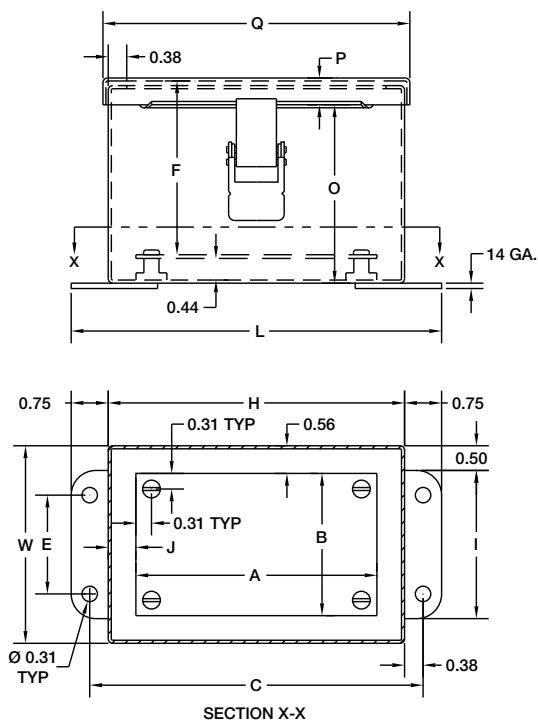
- ANSI-61 gray polyester powder inside and out over phosphatized surfaces.
- **Optional** back panels are white polyester powder over phosphatized surfaces

Accessories

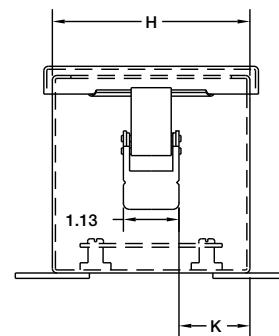
- Back panels (reference tables)
- See pages J1-J19

B-CHQR SERIES JIC CONTINUOUS HINGE QUICK-RELEASE ENCLOSURES															
CATALOG NUMBER	BODY/DOOR STEEL GAUGE	ENCLOSURE SIZE H X W X D	BACK PANEL CATALOG NUMBER*	BACK PANEL SIZE A X B	MOUNTING C X E	OVERALL L X M	F	G	I	J	K	N	O	P	Q
B060403CHQR	14/16	6.00x4.00x3.00 (152x102x76)	P0604	4.88x2.88 (124x73)	6.75x2.00 (171x51)	7.50x4.84 (191x123)	2.53 (76)	4.31 (109)	3.00 (76)	0.56 (14)	2.44 (62)	1.78 (45)	2.53 (64)	0.63 (16)	6.31 (160)
B060604CHQR	14/16	6.00x6.00x4.00 (152x152x102)	P0606	4.88x4.88 (124x124)	6.75x4.00 (171x102)	7.50x6.84 (191x174)	3.53 (101)	6.31 (160)	5.00 (127)	0.56 (14)	2.44 (62)	2.78 (71)	3.53 (90)	0.63 (16)	6.31 (160)
B080603CHQR	14/16	8.00x6.00x3.50 (203x152x89)	P0806	6.88x4.88 (175x124)	8.75x4.00 (222x102)	9.50x6.84 (241x174)	3.03 (88)	6.31 (160)	5.00 (127)	0.56 (14)	1.06 (27)	2.28 (58)	3.03 (77)	0.63 (16)	8.31 (211)
B100804CHQR	14/16	10.00x8.00x4.00 (254x203x102)	P1008	8.88x6.88 (226x175)	10.75x6.00 (273x152)	11.50x8.84 (292x225)	3.53 (101)	8.31 (211)	7.00 (178)	0.56 (14)	1.06 (27)	2.78 (71)	3.53 (90)	0.63 (16)	10.31 (262)
B121005CHQR	14/16	12.00x10.00x5.00 (305x254x127)	P1210	10.88x8.88 (276x226)	12.75x8.00 (324x203)	13.50x10.84 (343x275)	4.53 (127)	10.31 (262)	9.00 (229)	0.56 (14)	1.06 (27)	3.78 (96)	4.53 (115)	0.63 (16)	12.31 (313)
B141206CHQR	14/16	14.00x12.00x6.00 (356x305x152)	P1412	12.88x10.88 (327x276)	14.75x10.00 (375x254)	15.50x12.84 (394x326)	5.53 (152)	12.31 (313)	11.00 (279)	0.56 (14)	1.06 (27)	4.78 (121)	5.53 (141)	0.63 (16)	14.31 (364)
B161406CHQR	14/16	16.00x14.00x6.00 (406x356x152)	P1614	14.88x12.88 (378x327)	16.75x12.00 (425x305)	17.50x14.84 (445x377)	5.53 (152)	14.31 (363)	13.00 (330)	0.56 (14)	1.06 (27)	4.78 (121)	5.53 (141)	0.63 (16)	16.31 (414)

*Back panels must be ordered separately.



VIEW SHOWING CLAMP POSITION
 WHEN "H" EQUALS 8" OR MORE



VIEW SHOWING CLAMP POSITION
 WHEN "H" IS LESS THAN 8"

**B-SC SERIES ENCLOSURES
NEMA 12 JIC SCREW COVER WALL-MOUNT**



B060604SC

Industry Standards

- UL 50, Types 12 & 13
(6" X 6" X 4" & above)
- UL 508, Types 12 & 13
(6" X 4" X 4" & smaller)
- CSA Certified, Type 12
- NEMA/EEMAC Type 12 & 13
- JIC EL-1-71

UL Files E23553, E64791

CSA File LL66078

FEATURES-SPECIFICATIONS

Applications

Designed for use as instrument housings, electrical control enclosures, terminal wiring boxes or electrical junction boxes. Provides protection from dirt, dust, oil and water.

Construction

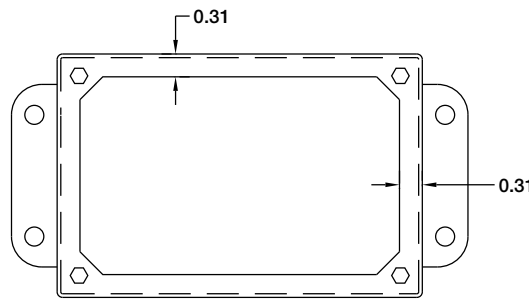
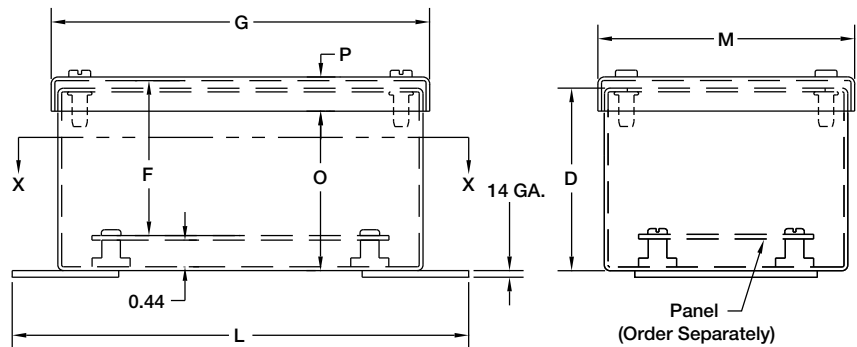
- Bodies and doors fabricated from 14 gauge steel
- Continuously welded seams ground smooth, less knockouts of holes
- Lids are sealed with closed cell oil resistant neoprene gasket
- External mounting plates, top and bottom of enclosure
- Weldnuts are provided on models 6.00" x 4.00" and larger to secure **optional** back panel
- Captivated cover screws are provided which thread into sealed wells to prevent leakage through cover
- Ground stud located in door

Finish

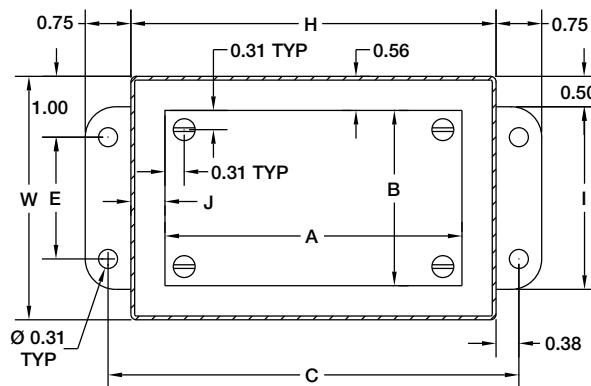
- ANSI-61 gray polyester powder inside and out over phosphatized surfaces
- **Optional** back panels are white polyester powder over phosphatized surfaces

Accessories

- Back panels (reference tables)
- See pages J1- J19



**TOP VIEW
COVER REMOVED**



SECTION X-X

**B-SC SERIES ENCLOSURES
NEMA 12 JIC SCREW COVER WALL-MOUNT**

C11

B-SC SERIES JIC SCREW COVER ENCLOSURES												
CATALOG NUMBER	BODY/DOOR STEEL GAUGE	ENCLOSURE SIZE H X W X D	BACK PANEL CATALOG NUMBER*	BACK PANEL SIZE A X B	MOUNTING C X E	OVERALL L X M	F	G	I	J	O	P
B040403SC	14/14	4.00x4.00x3.00 (102x102x76)	—	—	4.75x2.00 (121x51)	5.50x4.31 (140x110)	2.53 (64)	4.31 (110)	3.00 (76)	—	2.59 (66)	0.56 (14)
B040404SC	14/14	4.00x4.00x4.00 (102x102x102)	—	—	4.75x2.00 (121x51)	5.50x4.31 (140x110)	3.53 (90)	4.31 (110)	3.00 (76)	—	3.59 (91)	0.56 (14)
B060403SC	14/14	6.00x4.00x3.00 (152x102x76)	P0604	4.88x2.88 (124x73)	6.75x2.00 (171x51)	7.50x4.31 (191x110)	2.53 (64)	6.31 (160)	3.00 (76)	0.56 (14)	2.59 (66)	0.56 (14)
B060404SC	14/14	6.00x4.00x4.00 (152x102x102)	P0604	4.88x2.88 (124x73)	6.75x2.00 (171x51)	7.50x4.31 (191x110)	3.53 (90)	6.31 (160)	3.00 (76)	0.56 (14)	3.59 (91)	0.56 (14)
B060604SC	14/14	6.00x6.00x4.00 (152x152x102)	P0606	4.88x4.88 (124x124)	6.75x4.00 (171x102)	7.50x6.31 (191x160)	3.53 (90)	6.31 (160)	5.00 (127)	0.56 (14)	3.59 (91)	0.56 (14)
B080603SC	14/14	8.00x6.00x3.50 (203x152x89)	P0806	6.88x4.88 (175x124)	8.75x4.00 (222x102)	9.50x6.31 (241x160)	3.03 (77)	8.31 (211)	5.00 (127)	0.56 (14)	3.09 (79)	0.56 (14)
B080606SC	14/14	8.00x6.00x6.00 (203x152x152)	P0806	6.88x4.88 (175x124)	8.75x4.00 (222x102)	9.50x6.31 (241x160)	5.53 (141)	8.31 (211)	5.00 (127)	0.56 (14)	5.59 (142)	0.56 (14)
B080804SC	14/14	8.00x8.00x4.00 (203x203x102)	P0808	6.88x6.88 (175x175)	8.75x6.00 (222x152)	9.50x8.31 (241x211)	3.53 (90)	8.31 (211)	7.00 (178)	0.56 (14)	3.59 (91)	0.56 (14)
B100804SC	14/14	10.00x8.00x4.00 (254x203x102)	P1008	8.88x6.88 (226x175)	10.75x6.00 (273x152)	11.50x8.31 (292x211)	3.53 (90)	10.31 (262)	7.00 (178)	0.56 (14)	3.59 (91)	0.56 (14)
B100806SC	14/14	10.00x8.00x6.00 (254x203x152)	P1008	8.88x6.88 (226x175)	10.75x6.00 (273x152)	11.50x8.31 (292x211)	5.53 (141)	10.31 (262)	7.00 (178)	0.56 (14)	5.59 (142)	0.56 (14)
B101004SC	14/14	10.00x10.00x4.00 (254x254x102)	P1010	8.88x8.88 (225x225)	10.75x8.00 (273x203)	11.50x10.31 (292x262)	3.53 (90)	10.31 (262)	9.00 (229)	0.56 (14)	3.59 (91)	0.56 (14)
B101006SC	14/14	10.00x10.00x6.00 (254x254x152)	P1010	8.88x8.88 (225x225)	10.75x8.00 (273x203)	11.50x10.31 (292x262)	5.53 (141)	10.31 (262)	9.00 (229)	0.56 (14)	5.59 (142)	0.56 (14)
B121005SC	14/14	12.00x10.00x5.00 (305x254x127)	P1210	10.88x8.88 (276x226)	12.75x8.00 (324x203)	13.50x10.31 (343x262)	4.53 (115)	12.31 (313)	9.00 (229)	0.56 (14)	4.59 (117)	0.56 (14)
B121206SC	14/14	12.00x12.00x6.00 (305x305x152)	P1212	10.88x10.88 (276x276)	12.75x10.00 (324x254)	13.50x12.31 (343x313)	5.53 (141)	12.31 (313)	11.00 (279)	0.56 (14)	5.59 (142)	0.56 (14)
B141206SC	14/14	14.00x12.00x6.00 (356x305x152)	P1412	12.88x10.88 (327x276)	14.75x10.00 (375x254)	15.50x12.31 (394x313)	5.53 (141)	14.31 (364)	11.00 (279)	0.56 (14)	5.59 (142)	0.56 (14)
B161406SC	14/14	16.00x14.00x6.00 (406x356x152)	P1614	14.88x12.88 (378x327)	16.75x12.00 (425x305)	17.50x14.31 (445x364)	5.53 (141)	16.31 (414)	13.00 (330)	0.56 (14)	5.59 (142)	0.56 (14)

*Back panels must be ordered separately.

**WA-GIE SERIES ENCLOSURES
NEMA 12 JIC HINGED SCREW COVER WALL-MOUNT**



WA060604GIE

Industry Standards

UL 50, Types 12 & 13
CSA Certified, Type 12
NEMA/EEMAC Type 12 & 13
JIC EL-1-71

UL File E6924

CSA File LL66078

FEATURES-SPECIFICATIONS

Applications

Designed for use as instrument housings, electrical control enclosures, terminal wiring boxes or electrical junction boxes. Provides protection from dirt, dust, oil and water.

Construction

- Fabricated from 14 gauge steel
- Continuously welded seams ground smooth, less knockouts or holes

- Lids are sealed with closed cell oil resistant neoprene gasket
- Cover is secured by continuous hinge
- Captivated door screws thread into sealed wells
- No mounting feet or mounting holes are provided
- Weldnuts are provided to mount optional panels
- Ground stud located in door

Finish

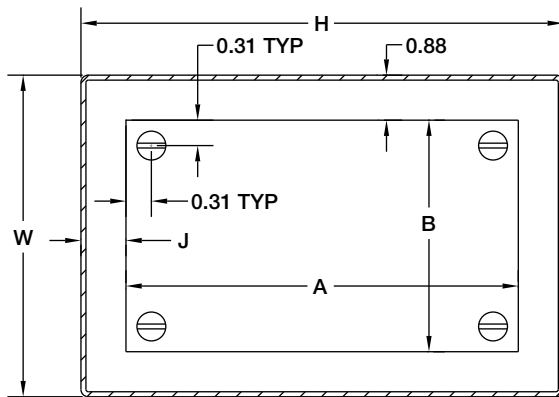
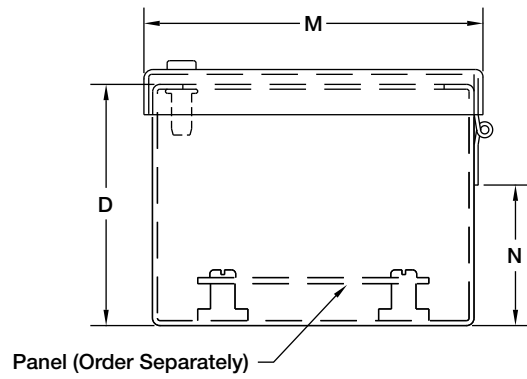
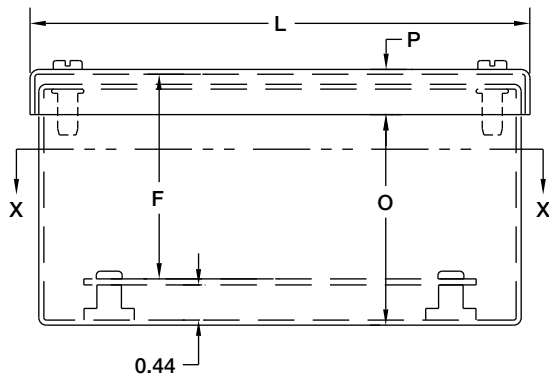
- ANSI-61 gray polyester powder inside and out over phosphatized surfaces
- **Optional** back panels are white polyester powder over phosphatized surfaces

Accessories

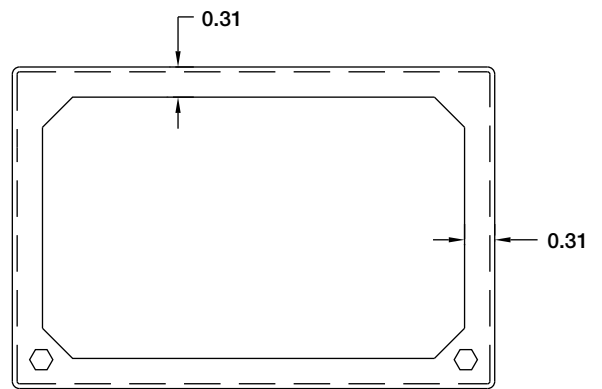
- Back panels (reference tables)
- See pages J1-J19

WA-GIE SERIES JIC HINGED SCREW COVER ENCLOSURES										
CATALOG NUMBER	BODY/DOOR STEEL GAUGE	ENCLOSURE SIZE H X W X D	BACK PANEL CATALOG NUMBER*	BACK PANEL SIZE A X B	OVERALL L X M	F	J	N	O	P
WA060604GIE	14/14	6.00x6.00x4.00 (152x152x102)	N1P0606	4.25x4.25 (108x108)	6.31x6.31 (160x160)	3.53 (90)	0.88 (22)	2.78 (71)	3.59 (91)	0.56 (14)
WA080604GIE	14/14	8.00x6.00x4.00 (203x152x102)	N1P0608	6.25x4.25 (159x108)	8.31x6.31 (211x160)	3.53 (90)	0.88 (22)	2.78 (71)	3.59 (91)	0.56 (14)
WA080804GIE	14/14	8.00x8.00x4.00 (203x203x102)	N1P0808	6.25x6.25 (159x159)	8.31x8.31 (211x211)	3.53 (90)	0.88 (22)	2.78 (71)	3.59 (91)	0.56 (14)
WA080806GIE	14/14	8.00x8.00x6.00 (203x203x152)	N1P0808	6.25x6.25 (159x159)	8.31x8.31 (211x211)	5.53 (141)	0.88 (22)	4.78 (121)	5.59 (142)	0.56 (14)
WA100804GIE	14/14	10.00x8.00x4.00 (254x203x102)	N1P0810	8.25x6.25 (210x159)	10.31x8.31 (262x211)	3.53 (90)	0.88 (22)	2.78 (71)	3.59 (91)	0.56 (14)
WA100806GIE	14/14	10.00x8.00x6.00 (254x203x152)	N1P0810	8.25x6.25 (210x159)	10.31x8.31 (262x211)	5.53 (141)	0.88 (22)	4.78 (121)	5.59 (142)	0.56 (14)
WA101006GIE	14/14	10.00x10.00x6.00 (254x254x152)	N1P1010	8.25x8.25 (210x210)	10.31x10.31 (262x262)	5.53 (141)	0.88 (22)	4.78 (121)	5.59 (142)	0.56 (14)
WA121004GIE	14/14	12.00x10.00x4.00 (305x254x102)	N1P1012	10.25x8.25 (260x210)	12.31x10.31 (313x262)	3.53 (90)	0.88 (22)	2.78 (71)	3.59 (91)	0.56 (14)
WA121006GIE	14/14	12.00x10.00x6.00 (305x254x152)	N1P1012	10.25x8.25 (260x210)	12.31x10.31 (313x262)	5.53 (141)	0.88 (22)	4.78 (121)	5.59 (142)	0.56 (14)
WA121206GIE	14/14	12.00x12.00x6.00 (305x305x152)	N1P1212	10.25x10.25 (260x260)	12.31x12.31 (313x313)	5.53 (141)	0.88 (22)	4.78 (121)	5.59 (142)	0.56 (14)
WA141206GIE	14/14	14.00x12.00x6.00 (356x305x152)	N1P1214	12.25x10.25 (311x260)	14.31x12.31 (364x313)	5.53 (141)	0.88 (22)	4.78 (121)	5.59 (142)	0.56 (14)

* Back panels must be ordered separately.



SECTION X-X



TOP VIEW COVER REMOVED

**JIC HANDY SERIES ENCLOSURES
NEMA 12 JIC SCREW COVER WALL-MOUNT**



JIC040402

Industry Standards

UL508, Types 12, 13
CSA Certified, Type 12
NEMA/EEMAC Type 12 & 13
JIC EL-1-71

UL File E64791

CSA File LL66078

FEATURES-SPECIFICATIONS

Applications

Ideal for use where protection from dirt, dust, oil and water is needed. Particularly suitable for use with liquid-tight flexible conduit.

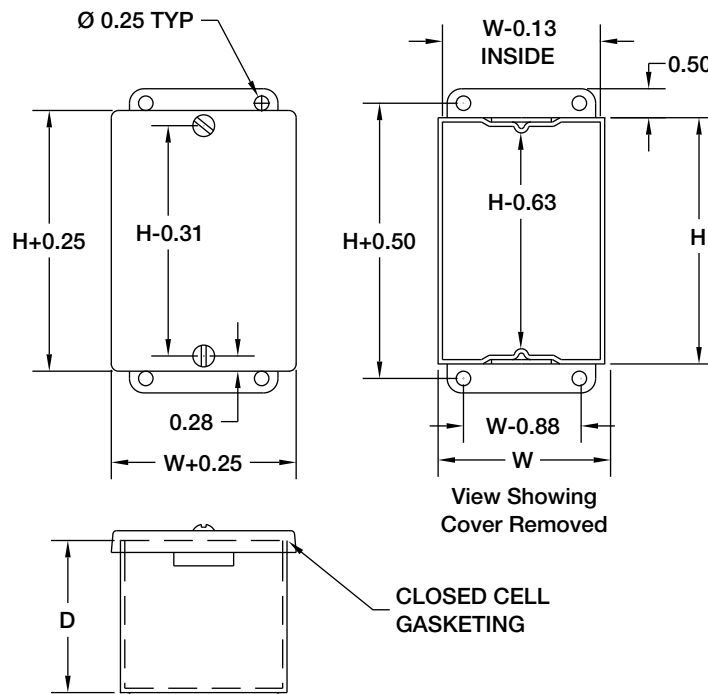
Construction

- Bodies and doors fabricated from 14 gauge steel
- Drawn lid which features no welded seams or sharp corners
- No holes or conduit knockouts
- Cover screws thread into neoprene gasket for maximum sealing
- External mounting plates, top and bottom of enclosure
- Ground stud located in door
- Lids are sealed with closed cell oil resistant neoprene gasket

Finish

- ANSI 61 gray polyester powder inside and out over phosphatized surfaces

JIC HANDY SERIES SCREW COVER ENCLOSURES		
CATALOG NUMBER	BODY/DOOR STEEL GAUGE	ENCLOSURE SIZE H X W X D
JIC040202	14/14	4.00x2.00x2.00 (102x51x51)
JIC0403025	14/14	4.25x2.88x2.63 (108x73x67)
JIC040403	14/14	4.00x4.00x3.00 (102x102x76)





N12161206

Industry Standards

UL 508, Types 12 & 13
CSA Certified, Type 12
NEMA/EEMAC Type 12 & 13
JIC EL-1-71

 UL Files E6924

 CSA File LL66078

FEATURES-SPECIFICATIONS

Applications

Intended for use in housing electrical and electronic controls, instruments, components, and associated wiring, these enclosures incorporate hinged doors which provide convenient access. Designed for indoor use in protecting components from dust, dirt, oil, and water.

Construction

- Bodies and doors fabricated from 14 gauge steel
- Continuously plasma welded seams
- Door and body stiffeners are provided in larger enclosures for extra rigidity
- Rolled lip on three sides of door and all sides of enclosure opening

is provided to exclude liquids and contaminants

- Quick and easy to operate door clamps are provided
- Doors removable by pulling heavy gauge continuous hinge pin
- Hasp and staple for padlocking
- Print pocket is provided
- Doors are sealed with poured in place polyurethane gasket
- Collar studs provided for mounting **optional** sub panels
- External mounting feet for mounting enclosure
- Ground stud located in door
- **Optional** panels must be ordered separately

Finish

- ANSI-61 gray polyester powder inside and outside over phosphatized surfaces
- **Optional** back panels are painted white polyester powder over phosphatized surfaces

Accessories

- Panels (reference tables)
- See pages J1-J19

N12 SERIES SINGLE DOOR ENCLOSURES								
CATALOG NUMBER	ENCLOSURE SIZE H X W X D	BACK PANEL CATALOG NUMBER*	BACK PANEL SIZE A X B	E	NO. OF DOOR CLAMPS	STIFFENER		
						DOOR	BODY	
N12122406	12.00x24.00x6.00 (305x610x152)	NP1224	9.00x21.00 (229x533)	0	2	No	No	
N12161206	16.00x12.00x6.00 (406x305x152)	NP1612	13.00x9.00 (330x229)	0	2	No	No	
N12161606	16.00x16.00x6.00 (406x406x152)	NP1616	13.00x13.00 (330x330)	0	2	No	No	
N12162006	16.00x20.00x6.00 (406x508x152)	NP2016	13.00x17.00 (330x432)	0	2	No	No	
N12201206	20.00x12.00x6.00 (508x305x152)	NP2012	17.00x9.00 (432x229)	0	2	No	No	
N12201606	20.00x16.00x6.00 (508x406x152)	NP2016	17.00x13.00 (432x330)	0	2	No	No	
N12202006	20.00x20.00x6.00 (508x508x152)	NP2020	17.00x17.00 (432x432)	0	2	No	No	
N12202406	20.00x24.00x6.00 (508x610x152)	NP2420	17.00x21.00 (432x533)	0	2	No	No	
N12241206	24.00x12.00x6.00 (610x305x152)	NP1224	21.00x9.00 (533x229)	0	2	No	No	
N12241606	24.00x16.00x6.00 (610x406x152)	NP2416	21.00x13.00 (533x330)	0	2	No	No	
N12242006	24.00x20.00x6.00 (610x508x152)	NP2420	21.00x17.00 (533x432)	0	2	No	No	
N12242406	24.00x24.00x6.00 (610x610x152)	NP2424	21.00x21.00 (533x533)	0	2	No	No	
N12301606	30.00x16.00x6.00 (762x406x152)	NP3016	27.00x13.00 (686x330)	0	2	No	No	
N12302006	30.00x20.00x6.00 (762x508x152)	NP3020	27.00x17.00 (686x432)	0	2	No	No	
N12302406	30.00x24.00x6.00 (762x610x152)	NP3024	27.00x21.00 (686x533)	0	2	No	No	

*Back panels must be ordered separately.

Continued on page C16

**N12 SERIES ENCLOSURES
NEMA 12 SINGLE DOOR WALL-MOUNT**

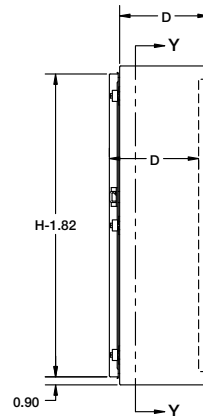
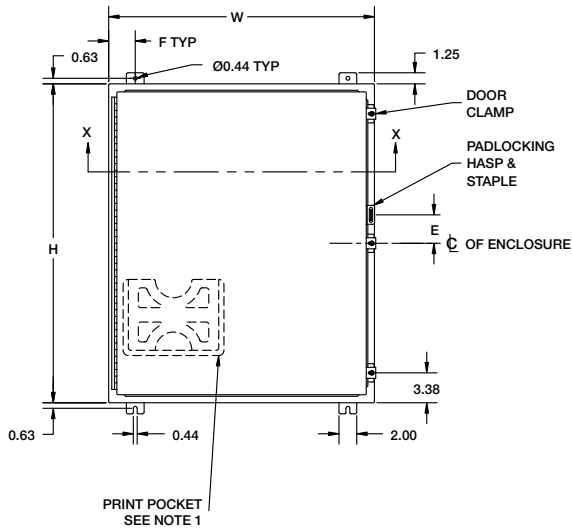
N12 SERIES SINGLE DOOR ENCLOSURES (CONT.)							
CATALOG NUMBER	ENCLOSURE SIZE H X W X D	BACK PANEL CATALOG NUMBER*	BACK PANEL SIZE A X B	E	NO. OF DOOR CLAMPS	STIFFENER	
						DOOR	BODY
N12362406	36.00x24.00x6.00 (914x610x152)	NP3624	33.00x21.00 (838x533)	0	2	No	No
N12363006	36.00x30.00x6.00 (914x762x152)	NP3630	33.00x27.00 (838x686)	0	2	No	Yes
N12122408	12.00x24.00x8.00 (305x610x203)	NP1224	9.00x21.00 (229x533)	0	2	No	No
N12161208	16.00x12.00x8.00 (406x305x203)	NP1612	13.00x9.00 (330x229)	0	2	No	No
N12161608	16.00x16.00x8.00 (406x406x203)	NP1616	13.00x13.00 (330x330)	0	2	No	No
N12162008	16.00x20.00x8.00 (406x508x203)	NP2016	13.00x17.00 (330x432)	0	2	No	No
N12201208	20.00x12.00x8.00 (508x305x203)	NP2012	17.00x9.00 (432x229)	0	2	No	No
N12201608	20.00x16.00x8.00 (508x406x203)	NP2016	17.00x13.00 (432x330)	0	2	No	No
N12202008	20.00x20.00x8.00 (508x508x203)	NP2020	17.00x17.00 (432x432)	0	2	No	No
N12202408	20.00x24.00x8.00 (508x610x203)	NP2420	17.00x21.00 (432x533)	0	2	No	No
N12241208	24.00x12.00x8.00 (610x305x203)	NP1224	21.00x9.00 (533x229)	0	2	No	No
N12241608	24.00x16.00x8.00 (610x406x203)	NP2416	21.00x13.00 (533x330)	0	2	No	No
N12242008	24.00x20.00x8.00 (610x508x203)	NP2420	21.00x17.00 (533x432)	0	2	No	No
N12242408	24.00x24.00x8.00 (610x610x203)	NP2424	21.00x21.00 (533x533)	0	2	No	No
N12243008	24.00x30.00x8.00 (610x762x203)	NP3024	21.00x27.00 (533x686)	0	2	No	No
N12302008	30.00x20.00x8.00 (762x508x203)	NP3020	27.00x17.00 (686x432)	0	2	No	No
N12302408	30.00x24.00x8.00 (762x610x203)	NP3024	27.00x21.00 (686x533)	0	2	No	No
N12303008	30.00x30.00x8.00 (762x762x203)	NP3030	27.00x27.00 (686x686)	0	2	No	Yes
N12303608	30.00x36.00x8.00 (762x914x203)	NP3630	27.00x33.00 (686x838)	0	2	No	Yes
N12362408	36.00x24.00x8.00 (914x610x203)	NP3624	33.00x21.00 (838x533)	0	2	No	No
N12363008	36.00x30.00x8.00 (914x762x203)	NP3630	33.00x27.00 (838x686)	0	2	No	Yes
N12363608	36.00x36.00x8.00 (914x914x203)	NP3636	33.00x33.00 (838x838)	0	2	Yes	Yes
N12422408	42.00x24.00x8.00 (1067x610x203)	NP4224	39.00x21.00 (991x533)	8.813 (224)	3	No	No
N12423008	42.00x30.00x8.00 (1067x762x203)	NP4230	39.00x27.00 (991x686)	8.813 (224)	3	Yes	Yes
N12423608	42.00x36.00x8.00 (1067x914x203)	NP4236	39.00x33.00 (991x838)	8.813 (224)	3	Yes	Yes
N12482408**	48.00x24.00x8.00 (1219x610x203)	NP4824	45.00x21.00 (1143x533)	10.313 (262)	3	No	No
N12483008**	48.00x30.00x8.00 (1219x762x203)	NP4830	45.00x27.00 (1143x686)	10.313 (262)	3	Yes	Yes
N12483608**	48.00x36.00x8.00 (1219x914x203)	NP4836	45.00x33.00 (1143x838)	10.313 (262)	3	Yes	Yes
N12603608**	60.00x36.00x8.00 (1524x914x203)	NP6036	57.00x33.00 (1448x838)	13.313 (338)	3	Yes	Yes
N12161210	16.00x12.00x10.00 (406x305x254)	NP1612	13.00x9.00 (330x229)	0	2	No	No
N12201610	20.00x16.00x10.00 (508x406x254)	NP2016	17.00x13.00 (432x330)	0	2	No	No
N12202010	20.00x20.00x10.00 (508x508x254)	NP2020	17.00x17.00 (432x432)	0	2	No	No
N12241210	24.00x12.00x10.00 (610x305x254)	NP2412	21.00x9.00 (533x229)	0	2	No	No
N12242010	24.00x20.00x10.00 (610x508x254)	NP2420	21.00x17.00 (533x432)	0	2	No	No
N12242410	24.00x24.00x10.00 (610x610x254)	NP2424	21.00x21.00 (533x533)	0	2	No	No
N12302010	30.00x20.00x10.00 (762x508x254)	NP3020	27.00x17.00 (686x432)	0	2	No	No
N12302410	30.00x24.00x10.00 (762x610x254)	NP3024	27.00x21.00 (686x533)	0	2	No	No
N12362410	36.00x24.00x10.00 (914x610x254)	NP3624	33.00x21.00 (838x533)	0	2	No	No
N12363010	36.00x30.00x10.00 (914x762x254)	NP3630	33.00x27.00 (838x686)	0	2	No	Yes
N12423010	42.00x30.00x10.00 (1067x762x254)	NP4230	39.00x27.00 (991x686)	8.813 (224)	3	Yes	Yes
N12423610	42.00x36.00x10.00 (1067x914x254)	NP4236	39.00x33.00 (991x838)	8.813 (224)	3	Yes	Yes
N12483010**	48.00x30.00x10.00 (1219x762x254)	NP4830	45.00x27.00 (1143x686)	10.313 (262)	3	Yes	Yes
N12483610**	48.00x36.00x10.00 (1219x914x254)	NP4836	45.00x33.00 (1143x838)	10.313 (262)	3	Yes	Yes
N12603610**	60.00x36.00x10.00 (1524x914x254)	NP6036	57.00x33.00 (1448x838)	13.313 (338)	3	Yes	Yes
N12201612	20.00x16.00x12.00 (508x406x305)	NP2016	17.00x13.00 (432x330)	0	2	No	No
N12242012	24.00x20.00x12.00 (610x508x305)	NP2420	21.00x17.00 (533x432)	0	2	No	No
N12242412	24.00x24.00x12.00 (610x610x305)	NP2424	21.00x21.00 (533x533)	0	2	No	No
N12302412	30.00x24.00x12.00 (762x610x305)	NP3024	27.00x21.00 (686x533)	0	2	No	No
N12303012	30.00x30.00x12.00 (762x762x305)	NP3030	27.00x27.00 (686x686)	0	2	No	Yes
N12362412	36.00x24.00x12.00 (914x610x305)	NP3624	33.00x21.00 (838x533)	0	2	No	No
N12363012	36.00x30.00x12.00 (914x762x305)	NP3630	33.00x27.00 (838x686)	0	2	No	Yes
N12363612	36.00x36.00x12.00 (914x914x305)	NP3636	33.00x33.00 (838x838)	0	2	Yes	Yes
N12423012	42.00x30.00x12.00 (1067x762x305)	NP4230	39.00x27.00 (991x686)	8.813 (224)	3	Yes	Yes

Continued on page C17

N12 SERIES SINGLE DOOR ENCLOSURES (CONT.)							
CATALOG NUMBER	ENCLOSURE SIZE H X W X D	BACK PANEL CATALOG NUMBER*	BACK PANEL SIZE A X B	E	NO. OF DOOR CLAMPS	STIFFENER	
						DOOR	BODY
N12423612	42.00x36.00x12.00 (1067x914x305)	NP4236	39.00x33.00 (991x838)	8.813 (224)	3	Yes	Yes
N12483612**	48.00x36.00x12.00 (1219x914x305)	NP4836	45.00x33.00 (1143x838)	10.313 (262)	3	Yes	Yes
N12603612**	60.00x36.00x12.00 (1524x914x305)	NP6036	57.00x33.00 (1448x838)	13.313 (338)	3	Yes	Yes
N12723012**	72.00x30.00x12.00 (1829x762x305)	NP7230	69.00x27.00 (1753x686)	0	4	Yes	Yes
N12723612**	72.00x36.00x12.00 (1829x914x305)	NP7236	69.00x33.00 (1753x838)	0	4	Yes	Yes
N12242016**	24.00x20.00x16.00 (610x508x406)	NP2420	21.00x17.00 (533x432)	0	2	No	No
N12242416**	24.00x24.00x16.00 (610x610x406)	NP2424	21.00x21.00 (533x533)	0	2	No	No
N12302416**	30.00x24.00x16.00 (762x610x406)	NP3024	27.00x21.00 (686x533)	0	2	No	No
N12363016**	36.00x30.00x16.00 (914x762x406)	NP3630	33.00x27.00 (838x686)	0	2	No	Yes
N12423616**	42.00x36.00x16.00 (1067x914x406)	NP4236	39.00x33.00 (991x838)	8.813 (224)	3	Yes	Yes
N12483616**	48.00x36.00x16.00 (1219x914x406)	NP4836	45.00x33.00 (1143x838)	10.313 (262)	3	Yes	Yes
N12603616**	60.00x36.00x16.00 (1524x914x406)	NP6036	57.00x33.00 (1448x838)	13.313 (338)	3	Yes	Yes
N12723016**	72.00x30.00x16.00 (1829x762x406)	NP7230	69.00x27.00 (1753x686)	0	4	Yes	Yes
N12302420**	30.00x24.00x20.00 (762x610x508)	NP3024	27.00x21.00 (686x533)	0	2	No	No
N12363020**	36.00x30.00x20.00 (914x762x508)	NP3630	33.00x27.00 (838x686)	0	2	No	Yes
N12483620**	48.00x36.00x20.00 (1219x914x508)	NP4836	45.00x33.00 (1143x838)	10.313 (262)	3	Yes	Yes
N12603620**	60.00x36.00x20.00 (1524x914x508)	NP6036	57.00x33.00 (1448x838)	13.313 (338)	3	Yes	Yes
N12302424**	30.00x24.00x24.00 (762x610x610)	NP3024	27.00x21.00 (686x533)	0	2	No	No

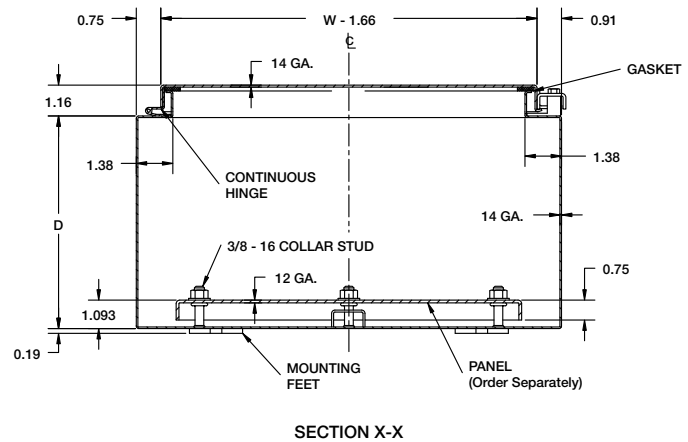
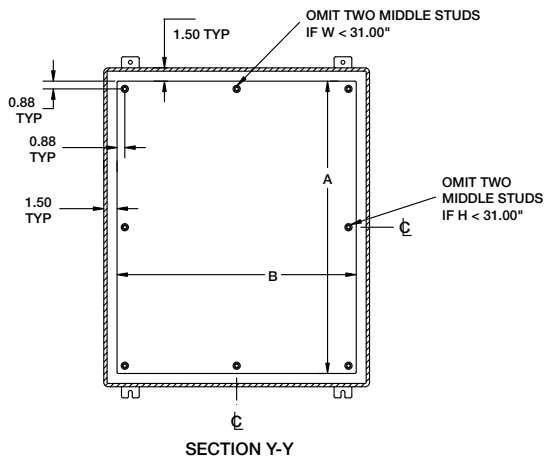
*Back panels must be ordered separately.

**Enclosures are supplied with closed cell neoprene gasket (not foam-in-place)



NOTES:

1. Large print pocket (8X10) is furnished if H = 20.00" or more and W = 20.00" or more. Otherwise small (6X6) print pocket is provided.
2. Panels are made from 12 Ga. steel.
3. Panels have flanges along all sides when either dimension exceeds 17".
4. The number of door clamps is dependent on size of enclosure. Clamps are furnished on right side of door.
5. F = 3" when W is 16" or greater and F = 1-1/4" when W is 12" or less.



WA-WF SERIES ENCLOSURES NEMA 12 TWO DOOR WALL-MOUNT



WA244808WF

Industry Standards

UL 508, Type 12
CSA Certified, Type 12
NEMA/EEMAC Type 12
JIC EL-1-71

 UL Files E64791

 CSA File LL66078

FEATURES-SPECIFICATIONS

Applications

Intended for use in housing electrical and electronic controls, instruments, components, and associated wiring, these enclosures incorporate double-hinged doors which provide convenient access. Designed for indoor use in protecting components from dust, dirt, oil, and water.

Construction

- Bodies and doors fabricated from 14 gauge steel
- Continuously welded seams ground smooth, less knockouts or holes
- Body stiffeners are added in larger enclosures for extra rigidity

- Rolled lip around all side of enclosure opening is provided to exclude liquids and contaminants
- Special overlapping door design eliminates need for center post
- 3-point latching mechanism operates with an oil-tight locking handle
- Doors are removable by pulling heavy gauge continuous hinge pin
- Doors are sealed with closed cell neoprene gasket
- Collar studs are provided for mounting **optional** sub panels
- External mounting feet are provided

for mounting

- Ground stud located in door
- Print pocket is provided

Finish

- ANSI-61 gray polyester powder inside and out over phosphatized surfaces
- **Optional** back panels are painted white polyester powder over phosphatized surfaces

Accessories

- Panels (reference tables)
- See pages J1- J19

WA-WF SERIES TWO DOOR ENCLOSURES								
CATALOG NUMBER	BODY/DOOR STEEL GAUGE	ENCLOSURE SIZE H X W X D	BACK PANEL CATALOG NUMBER*	BACK PANEL STEEL GAUGE	BACK PANEL SIZE A X B	C	STIFFENER	
							DOOR	BODY
WA244208WF	14/14	24.00x42.00x8.00 (610x1067x203)	NP4224	12	39.00x21.00 (991x533)	1.50 (38)	NO	NO
WA244808WF	14/14	24.00x48.00x8.00 (610x1219x203)	NP4824	12	21.00x45.00 (533x1143)	1.50 (38)	NO	NO
WA304210WF	14/14	30.00x42.00x10.00 (762x1067x254)	NP4230	12	27.00x39.00 (686x991)	1.50 (38)	NO	YES
WA304810WF	14/14	30.00x48.00x10.00 (762x1219x254)	NP4830	12	45.00x27.00 (1143x686)	1.50 (38)	NO	YES
WA306010WF	14/14	30.00x60.00x10.00 (762x1524x254)	NP6030	12	27.00x57.00 (686x1448)	1.50 (38)	NO	YES
WA364212WF	14/14	36.00x42.00x12.00 (914x1067x305)	NP4236	12	33.00x39.00 (838x991)	1.50 (38)	NO	YES
WA364812WF	14/14	36.00x48.00x12.00 (914x1219x305)	NP4836	12	33.00x45.00 (838x1143)	1.50 (38)	NO	YES
WA366012WF	14/14	36.00x60.00x12.00 (914x1524x305)	NP6036	12	33.00x57.00 (838x1448)	1.50 (38)	NO	YES
WA424212WF	14/14	42.00x42.00x12.00 (1067x1067x305)	NPDD4242	12	39.00x39.00 (991x991)	1.50 (38)	NO	YES
WA424812WF	14/14	42.00x48.00x12.00 (1067x1219x305)	NPDD4842	12	39.00x45.00 (991x1143)	1.50 (38)	NO	YES
WA426012WF	14/14	42.00x60.00x12.00 (1067x1524x305)	NPDD4260	12	38.00x56.00 (965x1422)	2.00 (51)	YES	YES
WA484812WF	14/14	48.00x48.00x12.00 (1219x1219x305)	NPDD4848	12	44.00x44.00 (1118x1118)	2.00 (51)	NO	YES

*Back panels must be ordered separately.

**WA-FM SERIES ENCLOSURES
NEMA 12 SINGLE DOOR FLUSH WALL-MOUNT**



WA202006FM

Industry Standards

UL 508, Type 12 & 13
CSA Certified, Type 12
NEMA/EEMAC Type 12 & 13
JIC EL-1-71

 UL File E6924

 CSA File LL66078

FEATURES-SPECIFICATIONS

Applications

Designed to house electrical controls, terminals and instruments. Provide protection from dirt, dust, oil and water. External frame allows enclosure to recessed in wall. Enclosure is used in applications where external space is limited or in high traffic area.

Construction

- Bodies and doors fabricated from 14 gauge steel. 10 gauge steel mounting frame extends completely around enclosure
- Continuously plasma welded seams

- Body stiffeners are included in larger enclosures for added rigidity
- A rolled lip around all sides of enclosure opening is provided to exclude liquids and contaminants
- Doors are held closed with captivated screws threaded into sealed wells
- Doors are sealed with a pour-in-place polyurethane gasket
- Print pocket is provided
- Collar studs for mounting **optional** back panel
- Door is removable by pulling heavy gauge continuous hinge pin
- Ground stud located in door

Finish

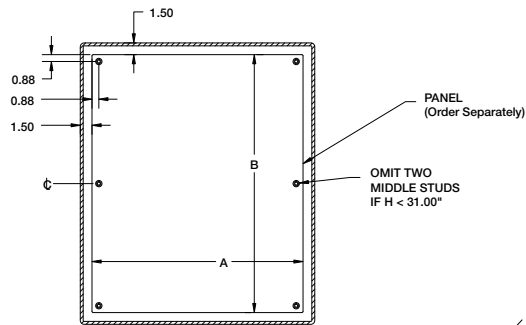
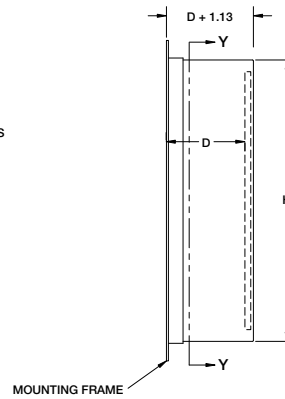
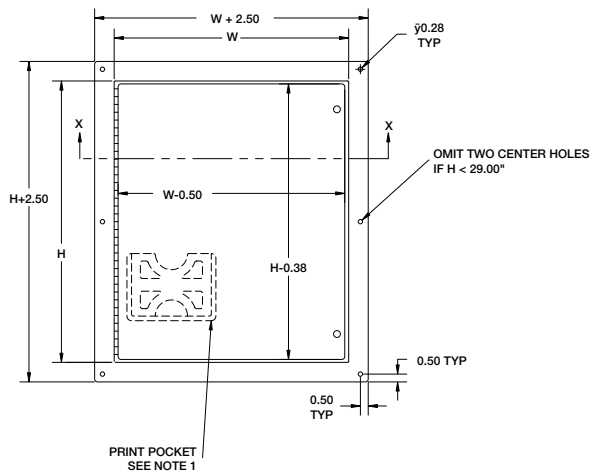
- ANSI 61 gray polyester powder inside and out over phosphatized surfaces
- **Optional** back panels are painted white polyester powder over phosphatized surfaces

Accessories

- Back panels (reference tables)
- See pages J1-J19

WA-FM SERIES FLUSH MOUNT ENCLOSURES					
CATALOG NUMBER	BODY/DOOR STEEL GAUGE	MTG. FRAME GAUGE	ENCLOSURE SIZE W X H X D	BACK PANEL CATALOG NUMBER*	BACK PANEL SIZE A X B
WA161206FM	14/14	10	16.00x12.00x6.00 (406x305x152)	NP1612	9.00x13.00 (229x330)
WA202006FM	14/14	10	20.00x20.00x6.00 (508x508x152)	NP2020	17.00x17.00 (432x432)
WA242408FM	14/14	10	24.00x24.00x8.00 (610x610x203)	NP2424	21.00x21.00 (533x533)
WA302408FM	14/14	10	30.00x24.00x8.00 (762x610x203)	NP3024	21.00x27.00 (533x686)
WA363008FM	14/14	10	36.00x30.00x8.00 (914x762x203)	NP3630	27.00x33.00 (686x838)

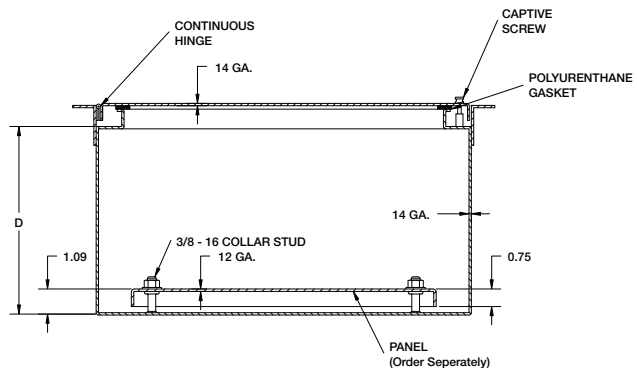
*Back panels must be ordered separately.



SECTION Y-Y

NOTES:

1. Large print pocket (8X10) is furnished if $H = 20.00$ " or more and $W = 20.00$ " or more. Otherwise small (6X6) print pocket provided.
2. Panels made from 12 Ga. steel.



SECTION X-X

**N12 SERIES ENCLOSURES
NEMA 12 TWO DOOR FLOOR-MOUNT**



N12544208

Industry Standards

- UL 508, Type 12
- CSA Certified, Type 12
- NEMA/EEMAC Type 12
- JIC EL-1-71

UL Files E64791

CSA File LL66078

FEATURES-SPECIFICATIONS

Applications

Designed to protect electrical and electronic controls, components, and instruments in typical industrial environments. Enclosure protects enclosed equipment from dust, dirt, oil, and dripping water. These enclosures are used in machine tool applications for housing motor starters, drives, contactors, PLC's, as well as a wide variety of other electrical and electronic equipment found in automotive, pulp and paper, wood products, textile, and similar industries.

- Standard 12" high floor kits are welded to bottom of enclosure
- Heavy duty lifting eyes
- Strong, rigid constructions with body stiffeners
- Doors are sealed with closed cell neoprene gasket
- Grounding provisions provided
- Back panel supports
- Collar studs for mounting optional back panels are provided

Finish

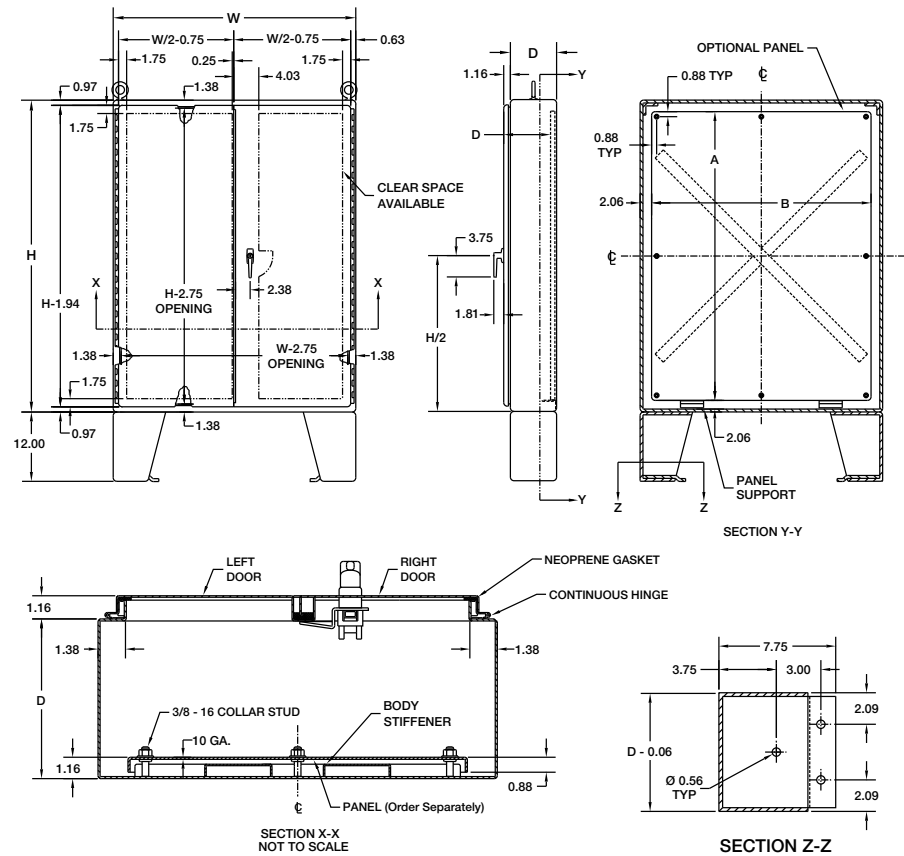
- ANSI-61 gray polyester powder inside and out over phosphatized surfaces
- **Optional** back panels are white polyester powder over phosphatized surfaces

Accessories

- Back panels (reference tables)
- See pages J1-J19

Construction

- Bodies and doors fabricated from 12 gauge CRS. Floor mounting feet fabricated from 10 gauge CRS
- Continuously welded seams ground smooth, less knockouts or holes
- Heavy gauge continuous hinges support each door
- Special overlapping door design eliminates need for center post
- 3-point latching mechanism operated by oil-tight key-locking handle
- Print pocket is provided





N12 SERIES FLOOR-MOUNTED ENCLOSURES							
CATALOG NUMBER	BODY/DOOR STEEL GAUGE	ENCLOSURE SIZE H X W X D	BACK PANEL CATALOG NUMBER*	BACK PANEL SIZE A X B	BACK PANEL STEEL GAUGE	STIFFENER(S)	
						DOOR	BODY
N12544208	12/12	54.12x42.12x8.12 (1375x1070x206)	NPDD5442	50.00x38.00 (1270x965)	10	0	1 "X" Style
N12604808	12/12	60.12x48.12x8.12 (1527x1222x206)	NPDD6048	56.00x44.00 (1422x1118)	10	0	1 "X" Style
N12604810	12/12	60.12x48.12x10.12 (1527x1222x257)	NPDD6048	56.00x44.00 (1422x1118)	10	0	1 "X" Style
N12606010	12/12	60.12x60.12x10.12 (1527x1527x257)	NPDD6060	56.00x56.00 (1422x1422)	10	0	1 "X" Style
N12726010	12/12	72.12x60.12x10.12 (1832x1527x257)	NPDD7260	68.00x56.00 (1727x1422)	10	0	1 "X" Style
N12727210	12/12	72.12x72.12x10.12 (1832x1832x257)	NPDD7272	68.00x68.00 (1727x1727)	10	0	1 "X" Style
N12604812	12/12	60.12x48.12x12.12 (1527x1222x308)	NPDD6048	56.00x44.00 (1422x1118)	10	0	1 "X" Style
N12606012	12/12	60.12x60.12x12.12 (1527x1527x308)	NPDD6060	56.00x56.00 (1422x1422)	10	0	1 "X" Style
N12726012	12/12	72.12x60.12x12.12 (1832x1527x308)	NPDD7260	68.00x56.00 (1727x1422)	10	0	1 "X" Style
N12727212	12/12	72.12x72.12x12.12 (1832x1832x308)	NPDD7272	68.00x68.00 (1727x1727)	10	0	1 "X" Style
N12604816	12/12	60.12x48.12x16.12 (1527x1222x409)	NPDD6048	56.00x44.00 (1422x1118)	10	0	1 "X" Style
N12606016	12/12	60.12x60.12x16.12 (1527x1527x409)	NPDD6060	56.00x56.00 (1422x1422)	10	0	1 "X" Style
N12726016	12/12	72.12x60.12x16.12 (1832x1527x409)	NPDD7260	68.00x56.00 (1727x1422)	10	0	1 "X" Style
N12727216	12/12	72.12x72.12x16.12 (1832x1832x409)	NPDD7272	68.00x68.00 (1727x1727)	10	0	1 "X" Style
N12604820	12/12	60.12x48.12x20.12 (1527x1222x511)	NPDD6048	56.00x44.00 (1422x1118)	10	0	1 "X" Style
N12726020	12/12	72.12x60.12x20.12 (1832x1527x511)	NPDD7260	68.00x56.00 (1727x1422)	10	0	1 "X" Style
N12727220	12/12	72.12x72.12x20.12 (1832x1832x511)	NPDD7272	68.00x68.00 (1727x1727)	10	0	1 "X" Style
N12604824	12/12	60.12x48.12x24.12 (1527x1222x613)	NPDD6048	56.00x44.00 (1422x1118)	10	0	1 "X" Style
N12606024	12/12	60.12x60.12x24.12 (1527x1527x613)	NPDD6060	56.00x56.00 (1422x1422)	10	0	1 "X" Style
N12726024	12/12	72.12x60.12x24.12 (1832x1527x613)	NPDD7260	68.00x56.00 (1727x1422)	10	0	1 "X" Style
N12727224	12/12	72.12x72.12x24.12 (1832x1832x613)	NPDD7272	68.00x68.00 (1727x1727)	10	0	1 "X" Style

*Back panels must be ordered separately.

**WA-FS SERIES ENCLOSURES
NEMA 12 SINGLE DOOR FREESTANDING**



WA603624FS

Industry Standards

UL 508, Type 12
CSA Certified, Type 12
NEMA/EEMAC Type 12

 UL Files E64791

 CSA File LL66078

FEATURES-SPECIFICATIONS

Applications

Designed to protect electrical and electronic controls, components, and instruments in typical industrial environments. Enclosures protect enclosure equipment from dust, dirt, oil, and dripping water. These enclosures are used in machine tool applications for housing motor starters, drives, contactors, PLC's, as well as a wide variety of other electrical and electronic equipment. The addition of 19-inch rack mounting accessories make these enclosures ideal for providing rugged protection for sensitive rack mounted components in harsh industrial environments. The enclosures are found extensively in automotive, pulp and paper, wood products, textile, and similar industries. Four styles are available to provide maximum flexibility:

a) Single Door Single Access (single door on front)

- b) Single Door Dual Access (single door on front and rear)
- c) Two Door Single Access (overlapping doors on front)
- d) Two Door Dual Access (overlapping doors on front and rear)

Construction

- Fabricated from 12 or 10 gauge steel
- Continuously welded seams ground smooth, less holes or knockouts
- Body stiffeners for added rigidity
- Heavy duty lifting eyes for easy handling
- Heavy gauge continuous hinges support each door
- 3 point latching mechanism with an oil-tight key locking handle is provided
- Print pocket is provided
- "Uni-strut" mounting channels are welded horizontally to interior body

sides and top, bottom and center to allow back panels to be positioned in enclosure. **Optional** swing, half, full and rack panels can be mounted anywhere along "uni-strut" channel

- Doors are sealed with closed cell neoprene gasket
- Stiffeners are welded to back of two door enclosures to maintain flatness and increase rigidity
- Grounding provisions provided

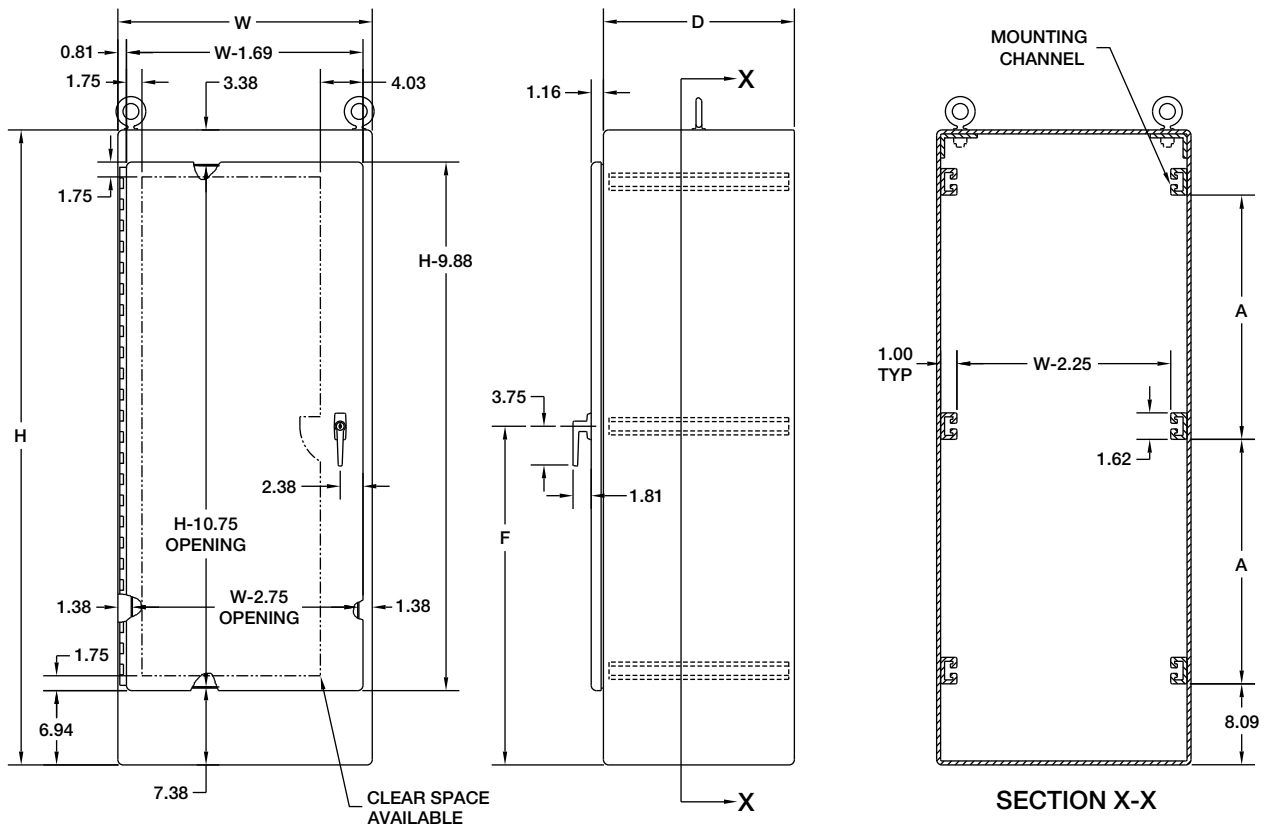
Finish

- ANSI 61 gray polyester powder inside and out over phosphatized surfaces.
- **Optional** back panels are white polyester powder over phosphatized surfaces.

Accessories

- See pages J1-J19

WA-FS SERIES FREESTANDING SINGLE DOOR ENCLOSURE				
CATALOG NUMBER	BODY/DOOR STEEL GAUGE	ENCLOSURE SIZE H X W X D	A	F
WA602418FS	12/12	60.12x24.12x18.12 (1527x613x460)	23.13 (587)	32.06 (814)
WA722418FS	12/12	72.12x24.12x18.12 (1832x613x460)	29.13 (740)	38.06 (967)
WA723018FS	12/12	72.12x30.12x18.12 (1832x765x460)	29.13 (740)	38.06 (967)
WA723618FS	12/12	72.12x36.12x18.12 (1832x917x460)	29.13 (740)	38.06 (967)
WA902420FS	10/10	90.12x24.12x20.12 (2289x613x511)	38.13 (968)	47.06 (1195)
WA903620FS	10/10	90.12x36.12x20.12 (2289x917x511)	38.13 (968)	47.06 (1195)
WA603624FS	12/12	60.12x36.12x24.12 (1527x917x613)	23.13 (587)	32.06 (814)
WA722424FS	12/12	72.12x24.12x24.12 (1832x613x613)	29.13 (740)	38.06 (967)
WA723024FS	12/12	72.12x30.12x24.12 (1832x765x613)	29.13 (740)	38.06 (967)
WA723624FS	12/12	72.12x36.12x24.12 (1832x917x613)	29.13 (740)	38.06 (967)
WA903624FS	10/10	90.12x36.12x24.12 (2289x917x613)	38.13 (968)	47.06 (1195)
WA723630FS	12/12	72.12x36.12x30.12 (1832x917x765)	29.13 (740)	38.06 (967)
WA723636FS	12/12	72.12x36.12x36.12 (1832x917x917)	29.13 (740)	38.06 (967)
WA903636FS	10/10	90.12x36.12x36.12 (2289x917x917)	38.13 (968)	47.06 (1195)



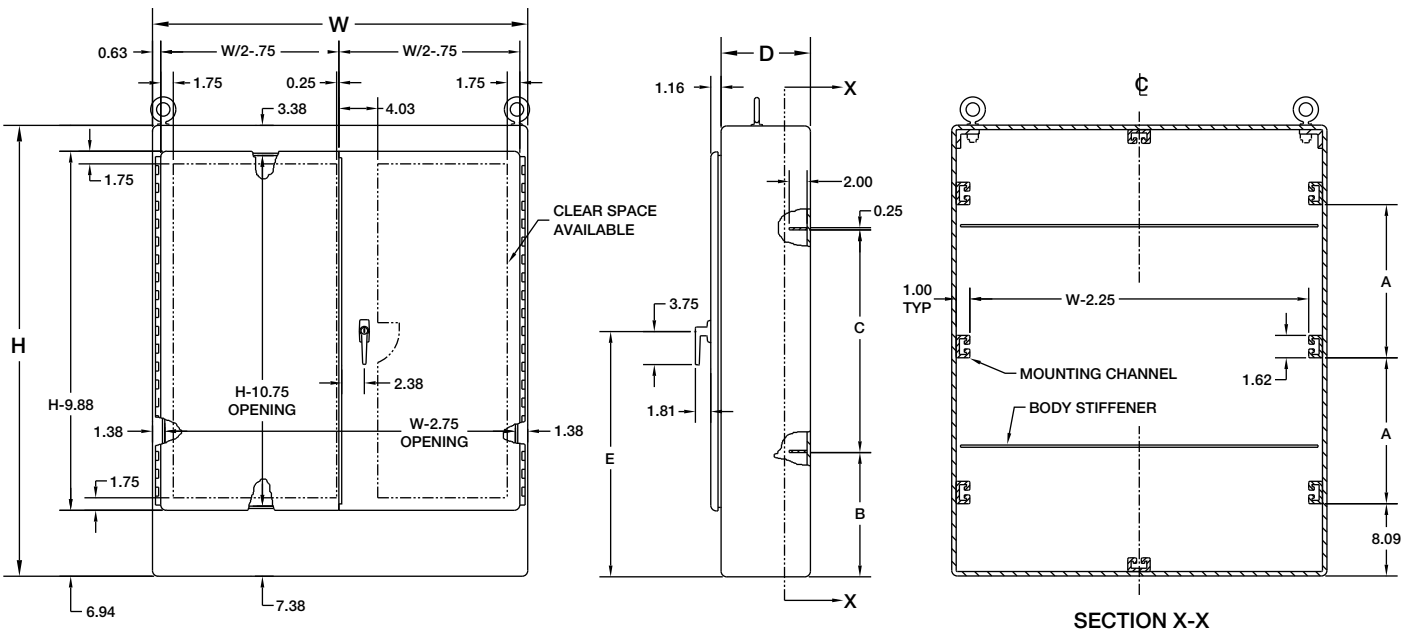
**WA-FSD SERIES ENCLOSURES
NEMA 12 TWO DOOR FREESTANDING**



WA604818FSD

WA-FSD SERIES FREESTANDING TWO DOOR ENCLOSURES

CATALOG NUMBER	BODY/DOOR STEEL GAUGE	ENCLOSURE SIZE H X W X D	A	B	C	E
WA604818FSD	10/10	60.12x48.12x18.12 (1527x1222x460)	23.13 (587)	19.88 (505)	20.03 (509)	32.06 (814)
WA724818FSD	10/10	72.12x48.12x18.12 (1832x1222x460)	29.13 (740)	23.88 (607)	24.03 (610)	38.06 (967)
WA726018FSD	10/10	72.12x60.12x18.12 (1832x1527x460)	29.13 (740)	23.88 (607)	24.03 (610)	38.06 (967)
WA727218FSD	10/10	72.12x72.12x18.12 (1832x1832x460)	29.13 (740)	23.88 (607)	24.03 (610)	38.06 (967)
WA904820FSD	10/10	90.12x48.12x20.12 (2289x1222x511)	38.13 (968)	29.88 (759)	30.03 (763)	47.06 (1195)
WA907220FSD	10/10	90.12x72.12x20.12 (2289x1832x511)	38.13 (968)	29.88 (759)	30.03 (763)	47.06 (1195)
WA724824FSD	10/10	72.12x48.12x24.12 (1832x1222x613)	29.13 (740)	23.88 (607)	24.03 (610)	38.06 (967)
WA726024FSD	10/10	72.12x60.12x24.12 (1832x1527x613)	29.13 (740)	23.88 (607)	24.03 (610)	38.06 (967)
WA727224FSD	10/10	72.12x72.12x24.12 (1832x1832x613)	29.13 (740)	23.88 (607)	24.03 (610)	38.06 (967)
WA907224FSD	10/10	90.12x72.12x24.12 (2289x1832x613)	38.13 (968)	29.88 (759)	30.03 (763)	47.06 (1195)
WA726036FSD	10/10	72.12x60.12x36.12 (1832x1527x917)	29.13 (740)	23.88 (607)	24.03 (610)	38.06 (967)
WA907236FSD	10/10	90.12x72.12x36.12 (2289x1832x917)	38.13 (968)	29.88 (759)	30.03 (763)	47.06 (1195)

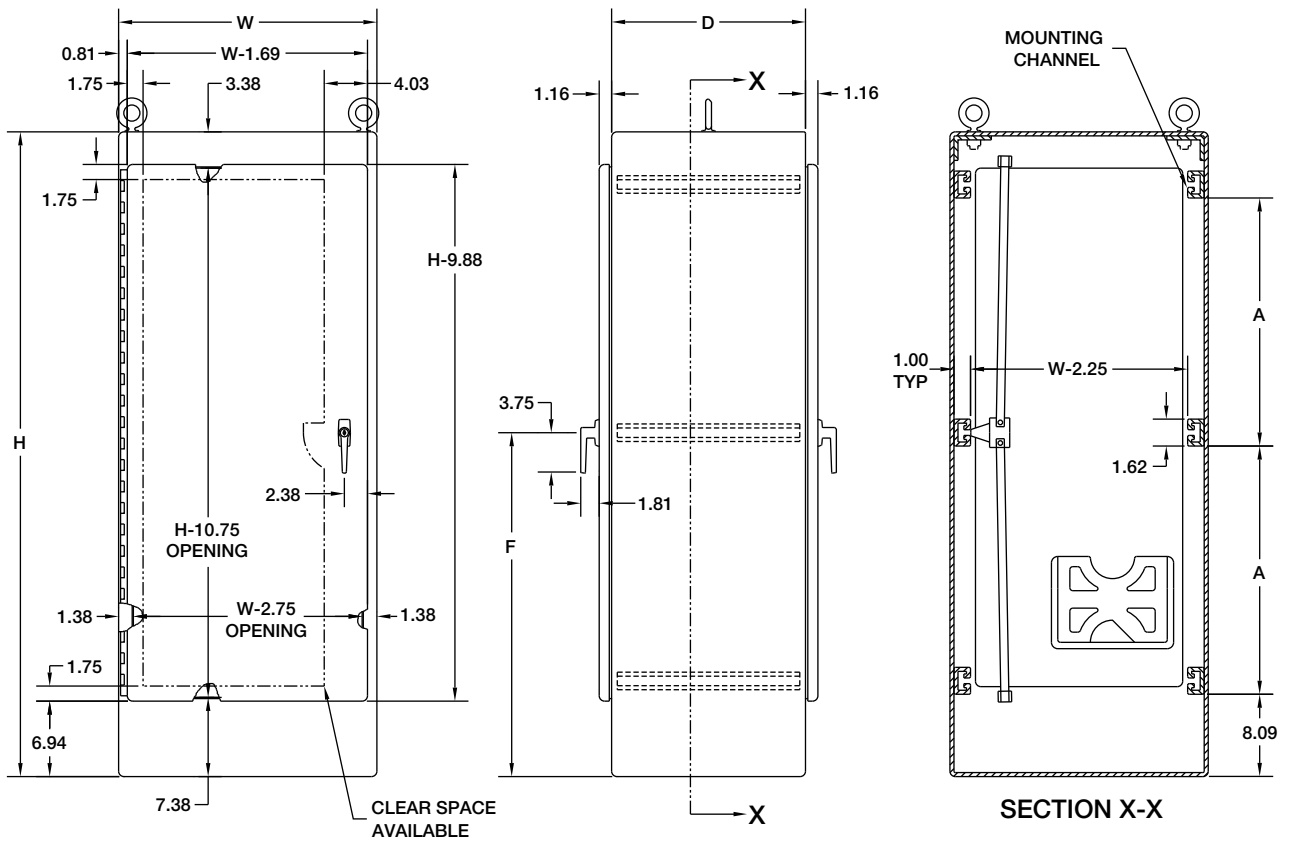


**WA-FSDA SERIES ENCLOSURES
NEMA 12 SINGLE DOOR DUAL ACCESS FREESTANDING**

C27

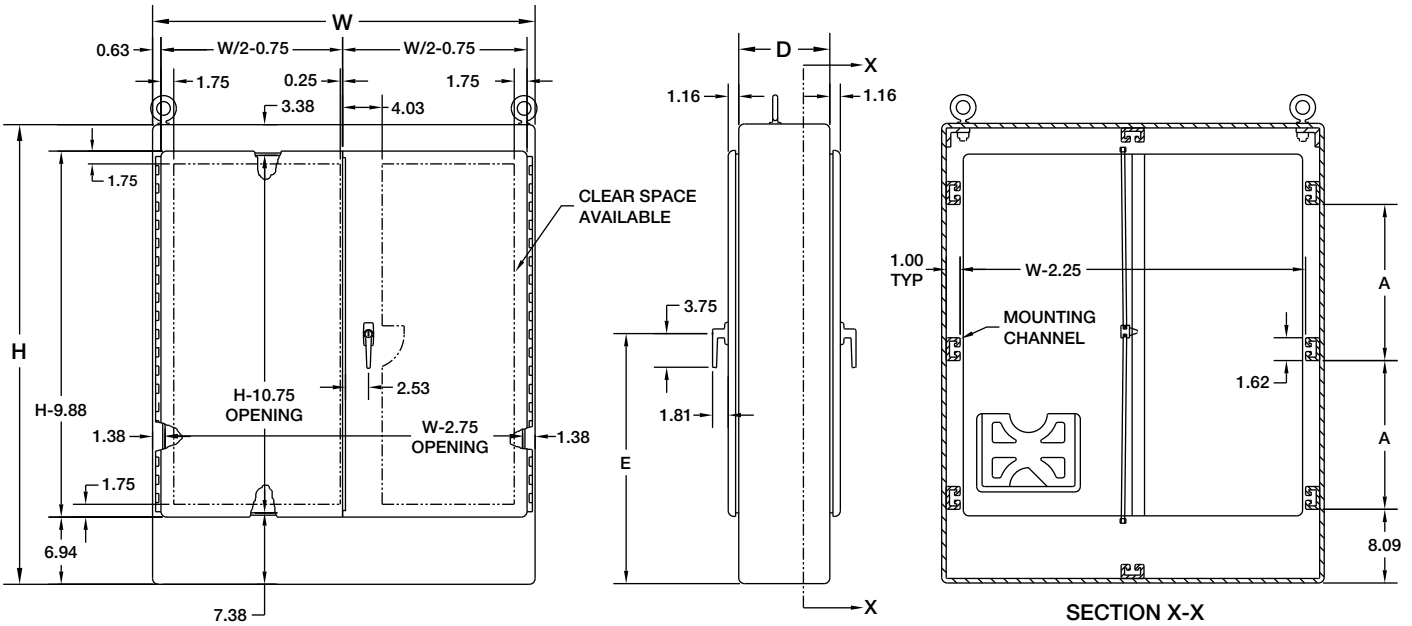


WA-FSDA SERIES FREESTANDING SINGLE DOOR DUAL ACCESS ENCLOSURES				
CATALOG NUMBER	BODY/DOOR STEEL GAUGE	ENCLOSURE SIZE H X W X D	A	F
WA722424FSDA	12/12	72.12x24.12x24.25 (1832x613x616)	29.13 (740)	38.06 (967)
WA723024FSDA	12/12	72.12x30.12x24.25 (1832x765x616)	29.13 (740)	38.06 (967)
WA723624FSDA	12/12	72.12x36.12x24.25 (1832x917x616)	29.13 (740)	38.06 (967)
WA903624FSDA	12/10	90.12x36.12x24.25 (2289x917x616)	38.13 (968)	47.06 (1195)
WA722430FSDA	12/12	72.12x24.12x30.25 (1832x613x768)	29.13 (740)	38.06 (967)
WA722436FSDA	12/12	72.12x24.12x36.25 (1832x613x921)	29.13 (740)	38.06 (967)
WA723636FSDA	12/12	72.12x36.12x36.25 (1832x917x921)	29.13 (740)	38.06 (967)
WA903636FSDA	12/10	90.12x36.12x36.25 (2289x917x921)	38.13 (968)	47.06 (1195)



WA-FSDAD SERIES FREESTANDING TWO DOOR DUAL ACCESS ENCLOSURES

CATALOG NUMBER	BODY/DOOR STEEL GAUGE	ENCLOSURE SIZE H X W X D	A	E
WA724824FSDAD	12/12	72.12x48.12x24.25 (1832x1222x616)	29.13 (740)	38.06 (967)
WA726024FSDAD	12/12	72.12x60.12x24.25 (1832x1527x616)	29.13 (740)	38.06 (967)
WA727224FSDAD	12/12	72.12x72.12x24.25 (1832x1832x616)	29.13 (740)	38.06 (967)
WA907224FSDAD	10/10	90.12x72.12x24.25 (2289x1832x616)	38.13 (968)	47.06 (1195)
WA726036FSDAD	12/12	72.12x60.12x36.25 (1832x1527x921)	29.13 (740)	38.06 (967)



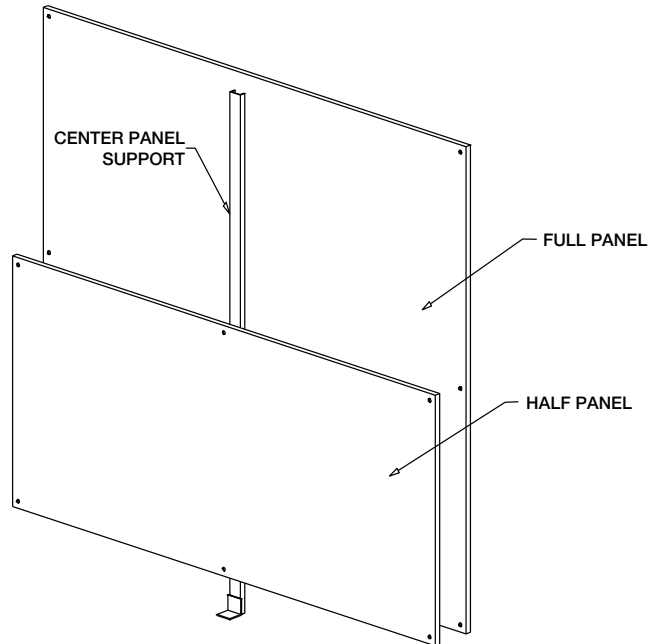
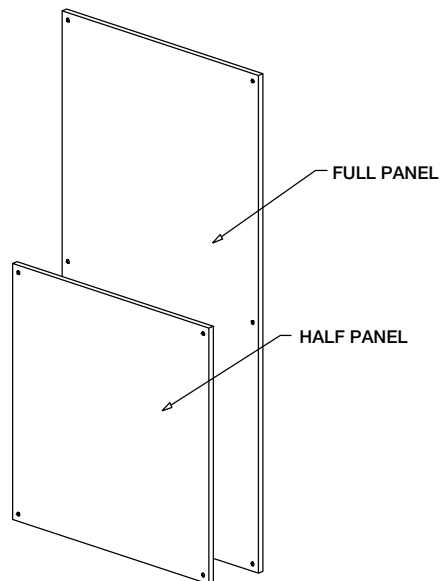


REGULAR PANELS ONLY (FULL & HALF) NEMA 12 SINGLE DOOR		
CATALOG NUMBER	STEEL GAUGE	PANEL SIZE A X B
WA60P24F1	12	48.00x20.00 (1219x508)
WA60P24F2	12	24.88x20.00 (632x508)
WA72P24F1	12	60.00x20.00 (1524x508)
WA72P24F2	12	30.88x20.00 (784x508)
WA90P24F1	12	78.00x20.00 (1981x508)
WA90P24F2	12	39.88x20.00 (1013x508)
WA72P30F1	12	60.00x26.00 (1524x660)
WA72P30F2	12	30.88x26.00 (784x660)
WA60P36F1	12	48.00x32.00 (1219x813)
WA60P36F2	12	24.88x32.00 (632x813)
WA72P36F1	12	60.00x32.00 (1524x813)
WA72P36F2	12	30.88x32.00 (784x813)
WA90P36F1	12	78.00x32.00 (1981x813)
WA90P36F2	12	39.88x32.00 (1013x813)

REGULAR PANELS ONLY (FULL & HALF) NEMA 12 TWO DOOR		
CATALOG NUMBER	STEEL GAUGE	PANEL SIZE A X B
WA60P48F1	10	48.00x44.00 (1219x1118)
WA60P48F2	10	24.88x44.00 (632x1118)
WA72P48F1	10	60.00x44.00 (1524x1118)
WA72P48F2	10	30.88x44.00 (784x1118)
WA72P60F1	10	60.00x56.00 (1524x1422)
WA72P60F2	10	30.88x56.00 (784x1422)
WA72P72F1	10	60.00x68.00 (1524x1727)
WA72P72F2	10	30.88x68.00 (784x1727)
WA90P48F1	10	78.00x44.00 (1981x1118)
WA90P48F2	10	39.88x44.00 (1013x1118)
WA90P72F1	10	78.00x68.00 (1981x1727)
WA90P72F2	10	39.88x68.00 (1013x1727)

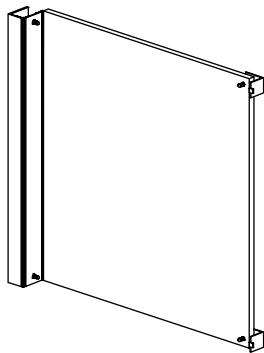
NOTE: Center Panel support is supplied with a regular Two Door Enclosure Panel. This support is used only as a brace. It is not intended to be used as a support for Single Door Panels, relay racks, etc.

NOTE: If used in a Two Door Enclosure, a center panel support must be ordered.



SWING OUT PANELS ONLY (FULL & HALF) NEMA 12 SINGLE DOOR		
CATALOG NUMBER	STEEL GAUGE	PANEL SIZE A X B
WA60SP24F3	12	48.00x19.00 (1219x483)
WA60SP24F4	12	24.88x19.00 (632x483)
WA72SP24F3	12	60.00x19.00 (1524x483)
WA72SP24F4	12	30.88x19.00 (784x483)
WA72SP30F3	12	60.00x25.00 (1524x635)
WA72SP30F4	12	30.88x25.00 (784x635)
WA60SP36F3	12	48.00x31.00 (1219x787)
WA60SP36F4	12	24.88x31.00 (632x787)
WA72SP36F3	12	60.00x31.00 (1524x787)
WA72SP36F4	12	30.88x31.00 (784x787)
WA90SP36F3	12	78.00x31.00 (1981x787)
WA90SP36F4	12	39.88x31.00 (1013x787)

NOTE: If used in a Two Door Enclosure, a center panel support must be ordered.



WA60SP24F3

SIDE MOUNT PANELS FOR SINGLE OR DOUBLE DOORS		
CATALOG NUMBER	STEEL GAUGE	PANEL SIZE A X B
WA60SMP14	12	48.00x14.00 (1219x356)
WA72SMP14	12	60.00x14.00 (1524x356)
WA72SMP20	12	60.00x20.00 (1524x508)
WA90SMP14	12	78.00x14.00 (1981x356)
WA90SMP20	12	78.00x20.00 (1981x508)



WA60SMP14

CENTER PANEL SUPPORTS	
CATALOG NUMBER	DESCRIPTION
WA60FSCPS	Center panel support for 60" high enclosures
WA72FSCPS	Center panel support for 72" high enclosures
WA90FSCPS	Center panel support for 90" high enclosures

CLAMP NUTS	
CATALOG NUMBER	DESCRIPTION
WAPS1420CN	Clamp nut for unistrut
WAPS3816CN	Clamp nut for unistrut
WA1032N	Clamp nuts for Type (RA) Relay Rack Angles



RELAY RACK ANGLES (FULL OR HALF) SINGLE DOOR		
CATALOG NUMBER	STEEL GAUGE	LENGTH "L"
WA60RP24F5	10	49.00 (1245)
WA60RP24F6	10	26.25 (667)
WA72RP24F5	10	61.25 (1556)
WA72RP24F6	10	31.50 (800)
WA72RP30F5	10	61.25 (1556)
WA72RP30F6	10	31.50 (800)
WA90RP24F5	10	78.75 (2000)
WA90RP24F6	10	40.25 (1022)

SWING OUT RACK MOUNTING FRAMES			
CATALOG NUMBER	FITS ENCLOSURE H X W	RACK SIZE	ANGLE LENGTH "T"
WA7230SOF19	72.00x30.00 (1829x762)	19.00 (483)	57.88 (1470)
WA7236SOF19	72.00x36.00 (1829x914)	19.00 (483)	57.88 (1470)
WA9036SOF19	90.00x36.00 (2286x914)	19.00 (483)	75.38 (1915)

NOTE: If used in a Two Door Enclosure, a center panel support must be ordered.

RELAY RACK ANGLES WITH THRU HOLES (TYPE RA)			
CATALOG NUMBER	FITS ENCLOSURE H X W	RACK SIZE	ANGLE LENGTH "L"
WA60RA19TH	60.00x24.00 (1524x610)	19.00 (483)	49.00 (1245)
WA72RA19TH	72.00x24.00 (1829x610)	19.00 (483)	61.25 (1556)
WA72RA24TH	72.00x30.00 (1829x762)	24.00 (610)	61.25 (1556)
WA90RA19TH	90.00x24.00 (2286x610)	19.00 (483)	78.78 (2001)

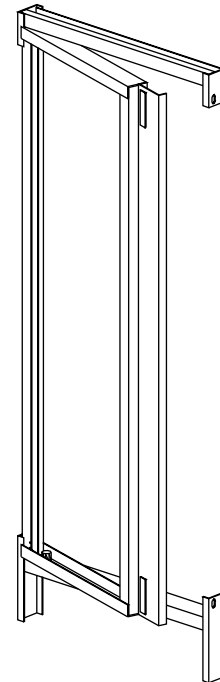
NOTE: If used in a Two Door Enclosure, a center panel support must be ordered.



WA60RP24F5



WA60RA19TH



WA7230SOF19

**WA-E SERIES ENCLOSURES
NEMA 12 MULTI-DOOR FREESTANDING**



WA86M5E

Industry Standards

UL 508, Type 12
CSA Certified, Type 12
NEMA/EEMAC Type 12

 UL File E64791

 CSA File LL66078

FEATURES-SPECIFICATIONS

Applications

Designed to protect electrical and electronic controls, components, and instruments in typical industrial environments. Enclosure rating protects enclosed equipment from dust, dirt, oil, and dripping water. These enclosures are used in machine tool applications for housing motor starters, drives, contactors, PLC's, as well as a wide variety of other electrical and electronic equipment found in automotive, pulp, and paper, wood products, textile, and similar industries. Select from three, four, and five door options to best meet your application requirements.

Construction

- Bodies and doors fabricated from 10 gauge steel

- Continuously welded seams ground smooth, less holes or knockouts
- Heavy steel stiffeners are welded to enclosure backs maintaining flatness and increasing rigidity
- Heavy duty removable lifting eyes for easy handling are installed
- At two-door openings, the uniquely gasketed, overlapping doors eliminate the need for center posts
- 3 point latching mechanism with padlocking handles hold doors securely shut
- Print pocket and provisions for fluorescent lighting are provided
- Mechanical interlock is standard with right hand door, serving as master door unless otherwise specified. Doors can be closed in any order

- Doors are supported by heavy gauge steel continuous hinges
- Doors are sealed with closed cell neoprene gasket
- Removable 10 gauge back panels and back panel supports are furnished
- Grounding provisions provided

Finish

- ANSI 61 gray polyester powder inside and out over phosphatized surfaces
- Panels are white polyester powder over phosphatized surfaces

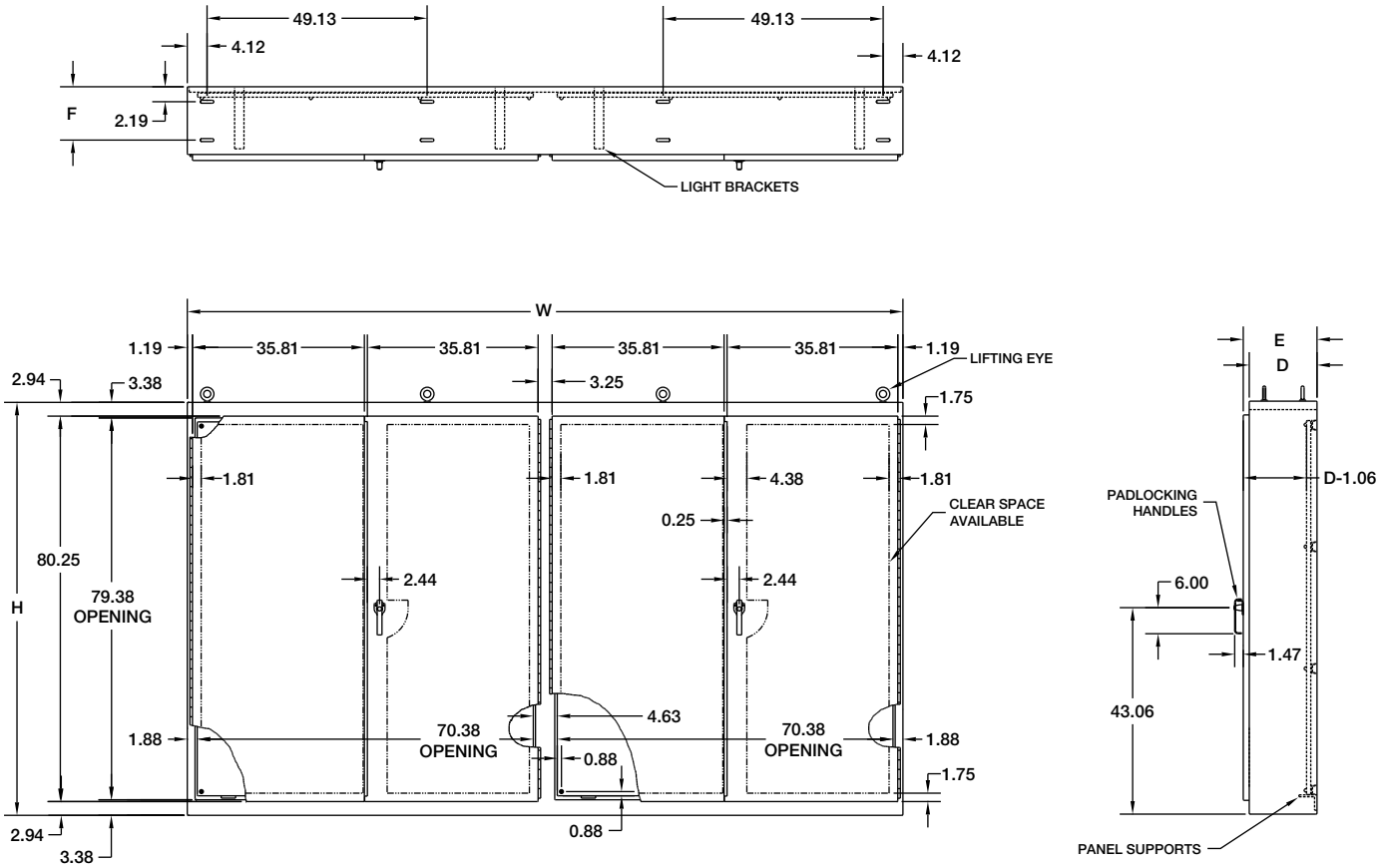
Accessories

- See pages J1-J19

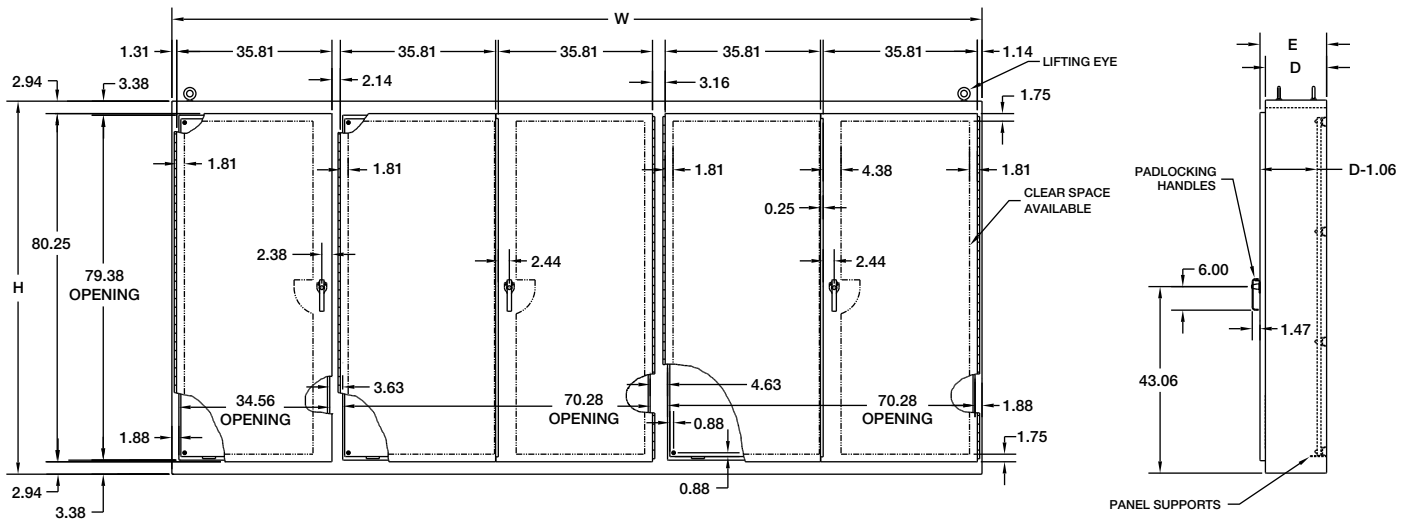
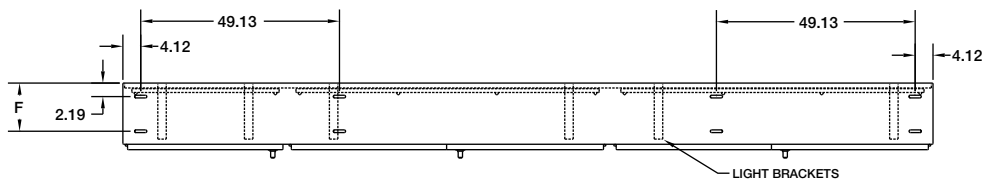
WA-E SERIES MULTI-DOOR FREESTANDING ENCLOSURES							
CATALOG NUMBER	NO. OF DOORS	BODY/DOOR STEEL GAUGE	ENCLOSURE SIZE H X W X D	BACK PANEL SIZE*		E	F
				A X B	A X B		
WA86M3E	3	10	86.13x112.13x14.13 (2188x2848x359)	(1) 78.00x70.00 (1981x1778)	and (1) 78.00x34.00 (1981x864)	15.38 (391)	11.94 (303)
WA86M4E	4	10	86.13x149.13x14.13 (2188x3788x359)	(2) 78.00x70.00 (1981x1778)	and No Panel	15.38 (391)	11.94 (303)
WA86M5E	5	10	86.13x187.13x14.13 (2188x4753x359)	(2) 78.00x70.00 (1981x1778)	and (1) 78.00x34.00 (1981x864)	15.38 (391)	11.94 (303)
WA86M3E20	3	10	86.13x112.13x20.13 (2188x2848x511)	(1) 78.00x70.00 (1981x1778)	and (1) 78.00x34.00 (1981x864)	21.38 (543)	17.94 (456)
WA86M4E20	4	10	86.13x149.13x20.13 (2188x3788x511)	(2) 78.00x70.00 (1981x1778)	and No Panel	21.38 (543)	17.94 (456)
WA86M5E20	5	10	86.13x187.13x20.13 (2188x4753x359)	(2) 78.00x70.00 (1981x1778)	and (1) 78.00x34.00 (1981x864)	21.38 (543)	17.94 (456)

*Back panels are furnished with enclosures.

4-DOOR



5-DOOR



NOTES

**BN4 SERIES ENCLOSURES
NEMA 4 JIC LIFT-OFF COVER WALL-MOUNT**



BN4060604

Industry Standards

UL 50, Types 4, 12, & 13
(6 X 6 X 4 & above)
UL 508, Types 4, 12, & 13
(6 X 4 X 3 & smaller)
CSA Certified, Types 4 & 12
NEMA/EEMAC Type 4, 12, & 13
JIC EL-1-71

UL Files E23553, E64791

CSA File LL66078

FEATURES-SPECIFICATIONS

Applications

Designed for use as instrument housings, electrical control enclosures, terminal wiring boxes or electrical junction boxes. Provides protection where equipment is hosed down, very wet, or in outdoor applications.

Construction

- Bodies and doors fabricated from 16 and 14 gauge steel
- Continuously welded seams ground smooth, less knockouts or holes

- Closed cell oil resistant neoprene gasket
- External mounting plate, top and bottom of enclosure
- Weldnuts are provided on models 6.00" x 4.00" or larger to secure **optional** panel
- Stainless steel screws and clamps on four sides of cover to assure water tight seal
- Ground stud located in door
- **Optional** back panels and terminal kits must be ordered separately

Finish

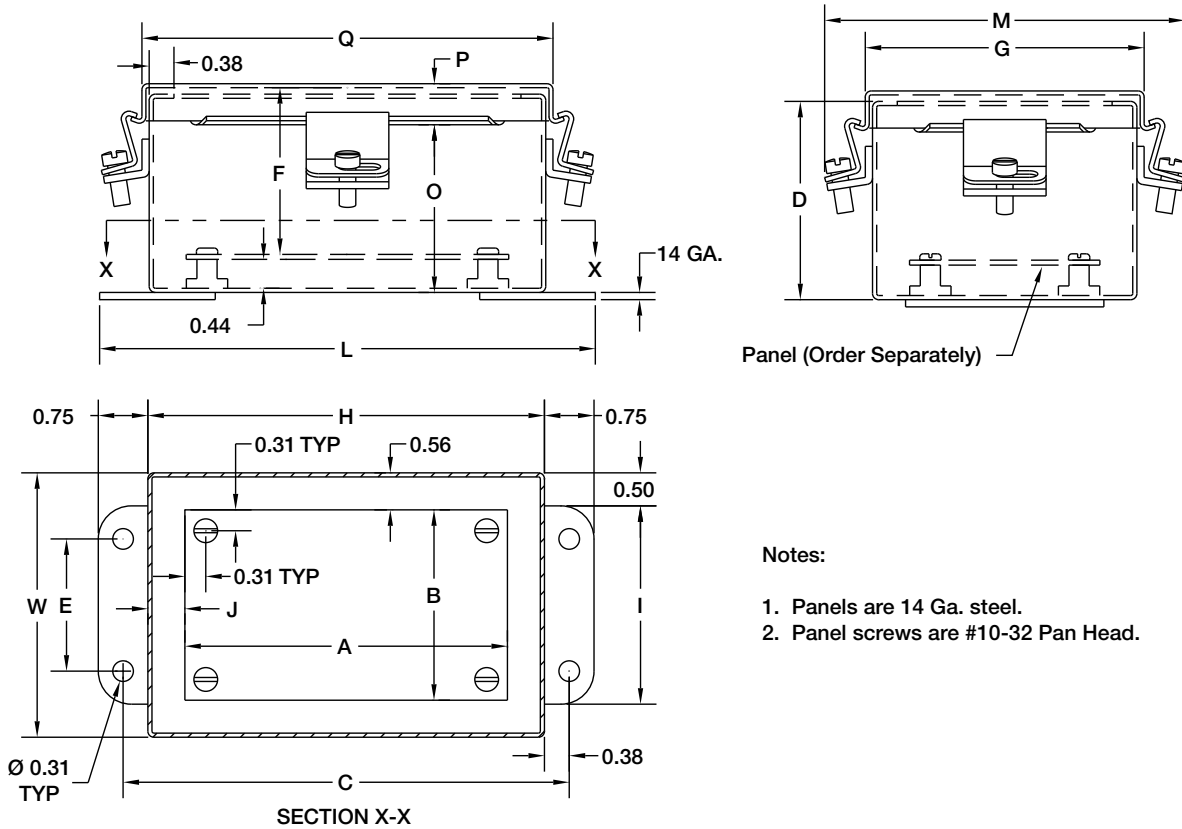
- ANSI-61 gray polyester powder inside and out over phosphatized surfaces
- **Optional** back panels are white polyester powder over phosphatized surfaces

Accessories

- Back panels (reference tables)
- See pages J1-J19

BN4 SERIES JIC LIFT OFF COVER ENCLOSURES															
CATALOG NUMBER	BODY/DOOR STEEL GAUGE	ENCLOSURE SIZE H X W X D	BACK PANEL CATALOG NUMBER*	BACK PANEL SIZE A X B	MOUNTING C X E	OVERALL L X M	F	G	I	J	K	N	O	P	Q
BN4040403	14/16	4.00x4.00x3.00 (102x102x76)	—	—	4.75x2.00 (121x51)	5.50x5.63 (140x143)	2.53 (64)	4.31 (109)	3.00 (76)	—	1.38 (35)	1.38 (35)	2.53 (64)	0.63 (16)	4.31 (110)
BN4060403	14/16	6.00x4.00x3.00 (152x102x76)	P0604	4.88x2.88 (124x73)	6.75x2.00 (171x51)	7.50x5.63 (191x143)	2.53 (64)	4.31 (109)	3.00 (76)	0.56 (14)	1.38 (35)	2.38 (60)	2.53 (64)	0.63 (16)	6.31 (160)
BN4060604	14/16	6.00x6.00x4.00 (152x152x102)	P0606	4.88x4.88 (124x124)	6.75x4.00 (171x102)	7.50x7.63 (191x194)	3.53 (90)	6.31 (160)	5.00 (127)	0.56 (14)	2.38 (60)	2.38 (60)	3.53 (90)	0.63 (16)	6.31 (160)
BN4080603	14/16	8.00x6.00x3.50 (203x152x89)	P0806	6.88x4.88 (175x124)	8.75x4.00 (222x102)	9.50x7.63 (241x194)	3.03 (77)	6.31 (160)	5.00 (127)	0.56 (14)	2.38 (60)	3.38 (86)	3.03 (77)	0.63 (16)	8.31 (211)
BN4100804	14/16	10.00x8.00x4.00 (254x203x102)	P1008	8.88x6.88 (226x175)	10.75x6.00 (273x152)	11.50x9.63 (292x244)	3.53 (90)	8.31 (211)	7.00 (178)	0.56 (14)	3.38 (86)	1.50 (38)	3.53 (90)	0.63 (16)	10.31 (262)
BN4121005	14/16	12.00x10.00x5.00 (305x254x127)	P1210	10.88x8.88 (276x226)	12.75x8.00 (324x203)	13.50x11.63 (343x295)	4.53 (115)	10.31 (262)	9.00 (229)	0.56 (14)	2.00 (51)	3.00 (76)	4.53 (115)	0.63 (16)	12.31 (313)
BN4141206	14/16	14.00x12.00x6.00 (356x305x152)	P1412	12.88x10.88 (327x276)	14.75x10.00 (375x254)	15.50x13.63 (394x346)	5.53 (141)	12.31 (313)	11.00 (279)	0.56 (14)	2.00 (51)	3.00 (76)	5.53 (141)	0.63 (16)	14.31 (364)
BN4161406	14/16	16.00x14.00x6.00 (406x356x152)	P1614	14.88x12.88 (378x327)	16.75x12.00 (425x305)	17.50x15.63 (445x397)	5.53 (141)	14.31 (363)	13.00 (330)	0.56 (14)	3.50 (89)	1.50 (38)	5.53 (141)	0.63 (16)	16.31 (414)

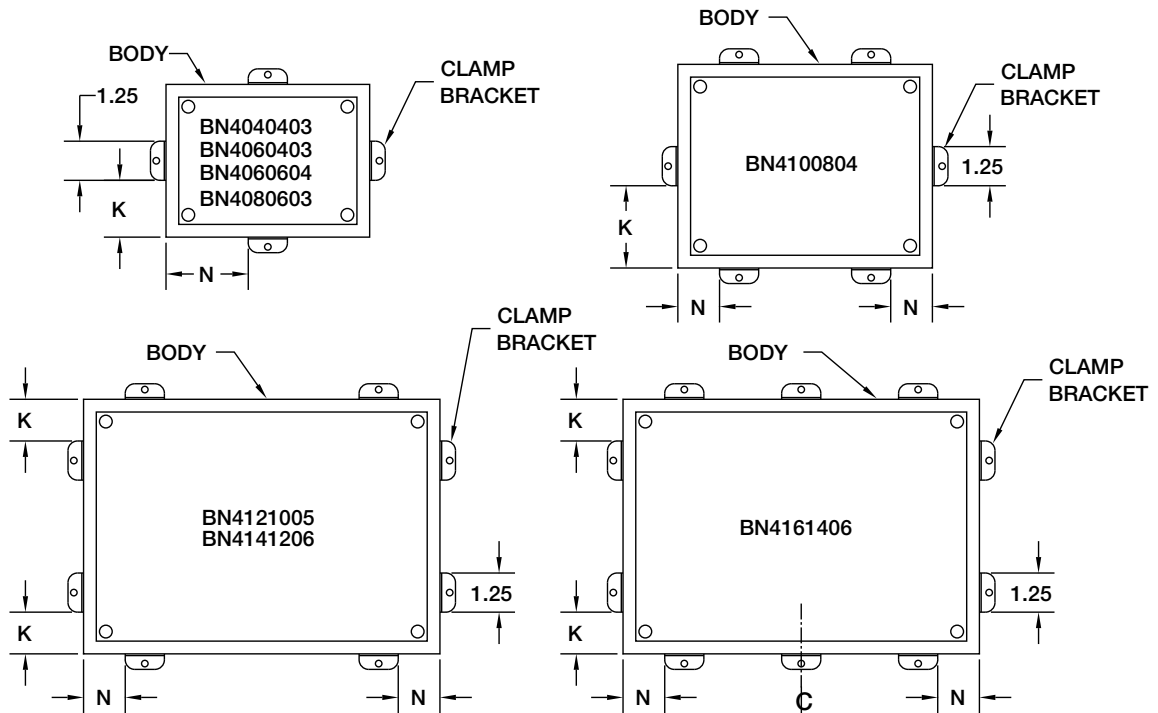
*Back panels must be ordered separately.



Notes:

1. Panels are 14 Ga. steel.
2. Panel screws are #10-32 Pan Head.

CLAMP BRACKET LOCATIONS



**BN4-CH SERIES ENCLOSURES
NEMA 4 JIC CONTINUOUS HINGED WALL-MOUNT**



BN4060604CH

Industry Standards

UL 50, Types 4, 12, & 13
CSA Certified, Types 4 & 12
NEMA/EEMAC Type 4, 12, & 13
JIC EL-1-71

UL File E6924

CSA File LL66078

FEATURES-SPECIFICATIONS

Applications

Designed for use as instrument housings, electrical control enclosures, terminal wiring boxes or electrical junction boxes. Provides protection in areas that are hosed down or very wet or in outdoor applications.

Construction

- Fabricated from 16 and 14 gauge steel
- Continuously welded seams ground smooth, less knockouts or holes
- Closed cell oil resistant neoprene gasket

- External mounting plates, top and bottom of enclosure
- Weldnuts are provided on models 6.00" x 4.00" and larger to secure optional panel
- Continuous hinged cover is secured on three sides with stainless steel screws and clamps to assure a watertight seal
- Cover removable by pulling stainless steel hinge pin
- Ground stud located in door
- **Optional** back panels and terminal kits must be ordered separately

Finish

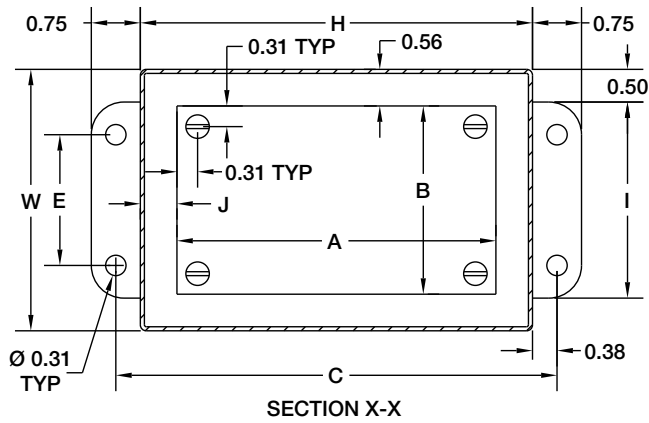
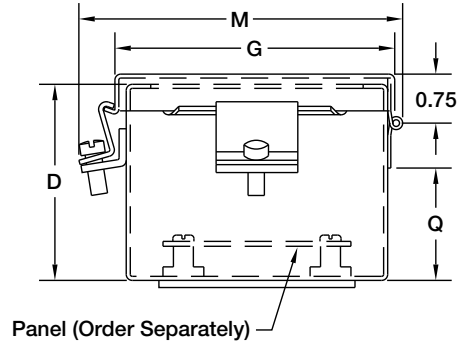
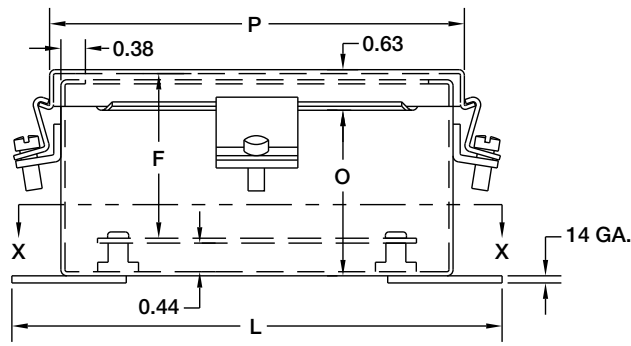
- ANSI-61 gray polyester powder inside and out over phosphatized surfaces
- **Optional** back panels are white polyester powder over phosphatized surfaces

Accessories

- Panels (reference tables)
- See pages J1-J19

BN4-CH SERIES JIC CONTINUOUS HINGED ENCLOSURES															
CATALOG NUMBER	BODY/DOOR STEEL GAUGE	ENCLOSURE SIZE H X W X D	BACK PANEL CATALOG NUMBER*	BACK PANEL SIZE A X B	MOUNTING C X E	OVERALL L X M	F	G	I	J	K	N	O	P	Q
BN4040403CH	14/16	4.00x4.00x3.00 (102x102x76)	—	—	4.75x2.00 (121x51)	5.50x5.00 (140x127)	2.53 (64)	4.31 (109)	3.00 (76)	—	1.38 (35)	1.38 (35)	2.53 (64)	4.31 (110)	1.78 (45)
BN4060403CH	14/16	6.00x4.00x3.00 (152x102x76)	P0604	4.88x2.88 (124x73)	6.75x2.00 (171x51)	7.50x5.00 (191x127)	2.53 (64)	4.31 (109)	3.00 (76)	0.56 (14)	1.38 (35)	2.38 (60)	2.53 (64)	6.31 (160)	1.78 (45)
BN4060604CH	14/16	6.00x6.00x4.00 (152x152x102)	P0606	4.88x4.88 (124x124)	6.75x4.00 (171x102)	7.50x7.00 (191x178)	3.53 (90)	6.31 (160)	5.00 (127)	0.56 (14)	2.38 (60)	2.38 (60)	3.53 (90)	6.31 (160)	2.78 (71)
BN4080603CH	14/16	8.00x6.00x3.50 (203x152x89)	P0806	6.88x4.88 (175x124)	8.75x4.00 (222x102)	9.50x7.00 (241x178)	3.03 (77)	6.31 (160)	5.00 (127)	0.56 (14)	2.38 (60)	3.38 (86)	3.03 (77)	8.31 (211)	2.28 (58)
BN4100804CH	14/16	10.00x8.00x4.00 (254x203x102)	P1008	8.88x6.88 (226x175)	10.75x6.00 (273x152)	11.50x9.00 (292x229)	3.53 (90)	8.31 (211)	7.00 (178)	0.56 (14)	3.38 (86)	1.50 (38)	3.53 (90)	10.31 (262)	2.78 (71)
BN4100806CH	14/16	10.00x8.00x6.00 (254x203x152)	P1008	8.88x6.88 (226x175)	10.75x6.00 (273x152)	11.50x9.00 (292x229)	5.53 (141)	8.31 (211)	7.00 (178)	0.56 (14)	3.38 (86)	1.50 (38)	5.53 (141)	10.31 (262)	4.78 (121)
BN4121005CH	14/16	12.00x10.00x5.00 (305x254x127)	P1210	10.88x8.88 (276x226)	12.75x8.00 (324x203)	13.50x11.00 (343x279)	4.53 (115)	10.31 (262)	9.00 (229)	0.56 (14)	2.00 (51)	3.00 (76)	4.53 (115)	12.31 (313)	3.78 (96)
BN4121206CH	14/16	12.00x12.00x6.00 (305x305x152)	P1212	10.88x10.88 (276x276)	12.75x10.00 (324x254)	13.50x13.00 (343x330)	5.53 (141)	12.31 (313)	11.00 (279)	0.56 (14)	2.50 (64)	2.50 (64)	5.53 (141)	12.31 (313)	4.78 (121)
BN4141206CH	14/16	14.00x12.00x6.00 (356x305x152)	P1412	12.88x10.88 (327x276)	14.75x10.00 (375x254)	15.50x13.00 (394x330)	5.53 (141)	12.31 (313)	11.00 (279)	0.56 (14)	2.00 (51)	3.00 (76)	5.53 (141)	14.31 (364)	4.78 (121)
BN4161406CH	14/16	16.00x14.00x6.00 (406x356x152)	P1614	14.88x12.88 (378x327)	16.75x12.00 (425x305)	17.50x15.00 (445x381)	5.53 (141)	14.31 (363)	13.00 (330)	0.56 (14)	3.50 (89)	1.50 (38)	5.53 (141)	16.31 (414)	4.78 (121)

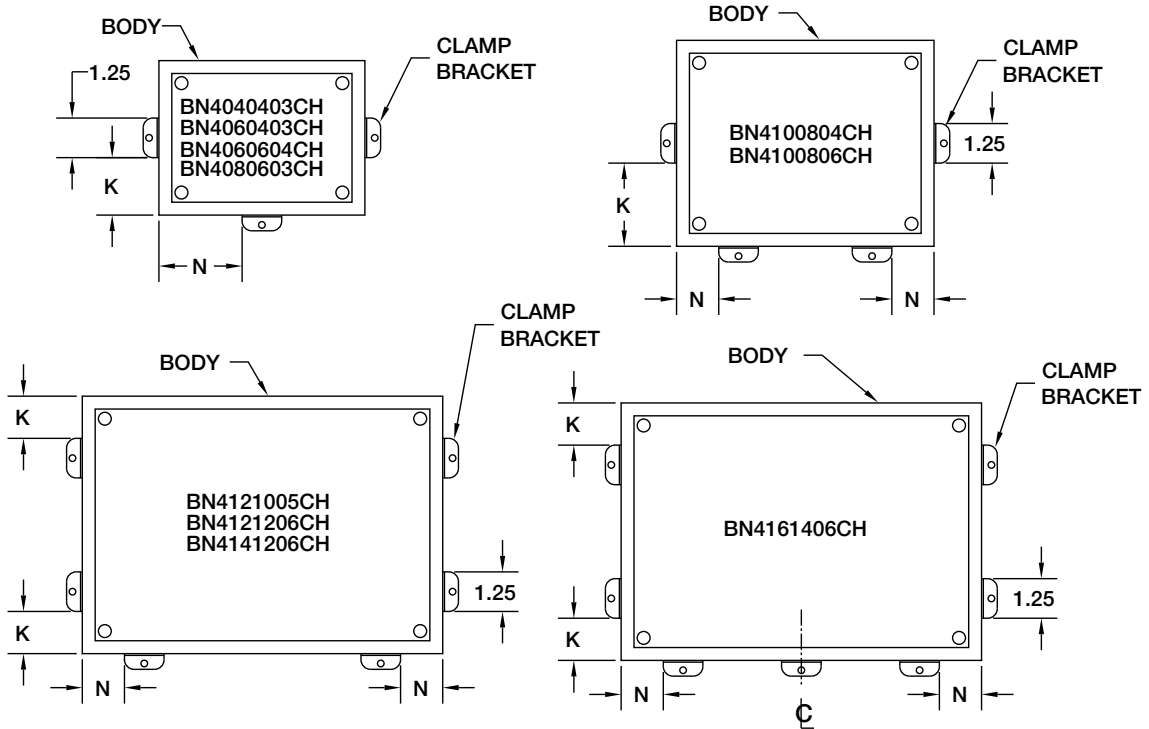
*Back panels must be ordered separately.



Notes:

1. Panels are 14 Ga. steel.
2. Panel screws are #10-32 Pan Head.

CLAMP BRACKET LOCATIONS



**WA-GSC SERIES ENCLOSURES
NEMA 3 & 4 SCREW COVER MOISTURE PROOF**



WA060604GSC



WA060604GSCG

Industry Standards

UL50, Type 4
NEMA/EEMAC Type 3 & 4



FEATURES-SPECIFICATIONS

Applications

Designed for use as a wiring box, junction box, pull box, and terminal box in many indoor or outdoor applications where dust or moisture is a problem.

Construction

- Bodies fabricated from 14 or 12 gauge carbon steel or G-90 grade galvanized steel. Covers fabricated

from 14, 12, or G-90 grade galvanized steel

- Seams are continuously welded and ground smooth
- Cover contains closed cell oil resistant neoprene gasket
- Enclosure comes with stainless steel cover screws which thread into sealed wells to prevent liquid, dust, etc., from entering into the box through the screw holes

- Ground stud located in door
- Galvanized box welded corners protected by zinc-rich coating
- No holes or knockouts

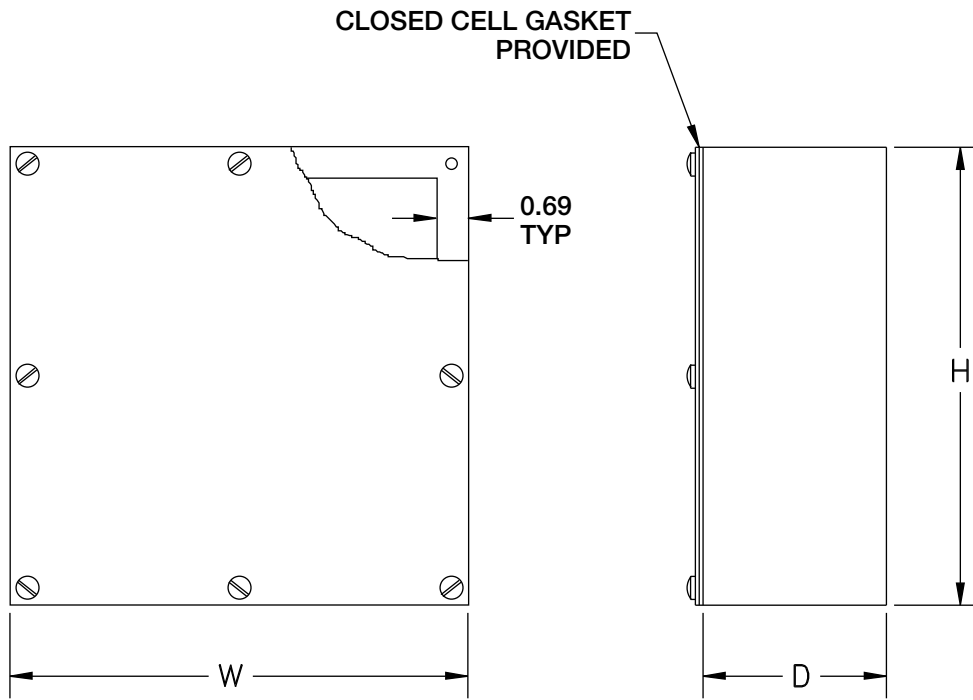
Finish

- ANSI-61 gray polyester powder inside and out over phosphatized surfaces, or unpainted pre-galvanized steel

Accessories

- See pages J1-J19

WA-GSC SERIES SCREW COVER ENCLOSURES			
CATALOG NUMBER		BODY/DOOR STEEL GAUGE	ENCLOSURE SIZE W X H X D
PAINTED	GALVANIZED		
WA060604GSC	WA060604GSCG	14/14	6.00x6.00x4.00 (152x152x102)
WA060606GSC	WA060606GSCG	14/14	6.00x6.00x6.00 (152x152x152)
WA060804GSC	WA060804GSCG	14/14	6.00x8.00x4.00 (152x203x102)
WA060806GSC	WA060806GSCG	14/14	6.00x8.00x6.00 (152x203x152)
WA080804GSC	WA080804GSCG	14/14	8.00x8.00x4.00 (203x203x102)
WA080806GSC	WA080806GSCG	14/14	8.00x8.00x6.00 (203x203x152)
WA081004GSC	WA081004GSCG	14/14	8.00x10.00x4.00 (203x254x102)
WA101004GSC	WA101004GSCG	14/14	10.00x10.00x4.00 (254x254x102)
WA101006GSC	WA101006GSCG	14/14	10.00x10.00x6.00 (254x254x152)
WA101206GSC	WA101206GSCG	14/14	10.00x12.00x6.00 (254x305x152)
WA121204GSC	WA121204GSCG	14/14	12.00x12.00x4.00 (305x305x102)
WA121206GSC	WA121206GSCG	14/14	12.00x12.00x6.00 (305x305x152)
WA121606GSC	WA121606GSCG	14/14	12.00x16.00x6.00 (305x406x152)
WA121608GSC	WA121608GSCG	14/14	12.00x16.00x8.00 (305x406x203)
WA161606GSC	WA161606GSCG	14/14	16.00x16.00x6.00 (406x406x152)
WA161608GSC	WA161608GSCG	14/14	16.00x16.00x8.00 (406x406x203)
WA181806GSC	WA181806GSCG	14/14	18.00x18.00x6.00 (457x457x152)
WA202008GSC	WA202008GSCG	14/14	20.00x20.00x8.00 (508x508x203)
WA202408GSC	WA202408GSCG	14/14	20.00x24.00x8.00 (508x610x203)
WA242408GSC	WA242408GSCG	14/14	24.00x24.00x8.00 (610x610x203)
WA303012GSC	WA303012GSCG	12/12	30.00x30.00x12.00 (762x762x305)
WA363612GSC	WA363612GSCG	12/12	36.00x36.00x12.00 (914x914x305)



**N412 ULTIMATE SERIES ENCLOSURES
NEMA 4 & 12 SINGLE DOOR WALL-MOUNT**



N412161206C

Industry Standards

UL 508, Types 4, 12, & 13
CSA Certified, Types 4, 12, & 13
NEMA/EEMAC Type 4, 12, & 13
JIC EL-1-71

UL Files E64791

CSA File LL66078

FEATURES-SPECIFICATIONS

Applications

Hubbell Wiegmann N412C ULTIMATE Series Enclosures are designed to house and protect electrical and electronic components from harsh, dirty environments. For use in installations where dirt, dust, oil, water, or other contaminants are present. Streamlined styling, flush latching, and attractive durable finish complement any high tech electronic equipment.

Construction

- Bodies and doors fabricated from 14 gauge steel
- Continuously Plasma welded seams
- Increased tub opening for better access

- Concealed hinges
- Doors are interchangeable and easily removable
- Ground stud located in door
- 1/4-turn semi-flush oil tight latches are supplied to hold door securely closed
- Print pocket is provided
- Doors are sealed with poured-in-place polyurethane gasket**
- Mounting holes in rear of enclosure
- Studs for mounting **optional** back panel (the Ultimate back panels have increased in size to accommodate larger foot-print installations)

Finish

- ANSI 61 gray polyester powder inside and out over phosphatized surfaces
- **Optional** back panels are white polyester powder over phosphatized surfaces

Accessories

- Back panels (see reference tables)
- Window door (see reference tables)
- See pages J1-J19. See pages J20-J23 for ULTIMATE Series Accessories
- **Optional** N412MFK mounting foot kit must be ordered separately

N412C ULTIMATE SERIES SINGLE DOOR ENCLOSURES							
CATALOG NUMBER	BODY/DOOR STEEL GAUGE	ENCLOSURE SIZE H X W X D	BACK PANEL CATALOG NUMBER*	DOOR & BOX STIFFENERS	BACK PANEL SIZE A & B	C	E
N412121206C	14/14	12.00x12.00x6.00 (305x305x152)	NP1212C	No	10.2x10.2 (259x259)	6.00 (152)	—
N412161206C	14/14	16.00x12.00x6.00 (406x305x152)	NP1612C	No	14.2x10.2 (361x259)	8.00 (203)	—
N412161606C	14/14	16.00x16.00x6.00 (406x406x152)	NP1616C	No	14.2x14.2 (361x361)	8.00 (203)	—
N412162006C	14/14	16.00x20.00x6.00 (406x508x152)	NP2016C	No	14.2x18.2 (361x462)	8.00 (203)	—
N412201606C	14/14	20.00x16.00x6.00 (508x406x152)	NP2016C	No	18.2x14.2 (462x361)	10.00 (254)	—
N412202006C	14/14	20.00x20.00x6.00 (508x508x152)	NP2020C	No	18.2x18.2 (462x462)	10.00 (254)	—
N412241606C	14/14	24.00x16.00x6.00 (610x406x152)	NP2416C	No	22.2x14.2 (564x361)	12.00 (305)	—
N412242006C	14/14	24.00x20.00x6.00 (610x508x152)	NP2420C	No	22.2x18.2 (564x462)	12.00 (305)	—
N412242406C	14/14	24.00x24.00x6.00 (610x610x152)	NP2424C	No	22.2x22.2 (564x564)	4.00 (102)	16.00 (406)
N412161208C	14/14	16.00x12.00x8.00 (406x305x203)	NP1612C	No	14.2x10.2 (361x259)	8.00 (203)	—
N412161608C	14/14	16.00x16.00x8.00 (406x406x203)	NP1616C	No	14.2x14.2 (361x361)	8.00 (203)	—
N412162008C	14/14	16.00x20.00x8.00 (406x508x203)	NP2016C	No	14.2x18.2 (361x462)	8.00 (203)	—
N412201608C	14/14	20.00x16.00x8.00 (508x406x203)	NP2016C	No	18.2x14.2 (462x361)	10.00 (254)	—
N412241608C	14/14	24.00x16.00x8.00 (610x406x203)	NP2416C	No	22.2x14.2 (564x361)	12.00 (305)	—
N412202008C	14/14	20.00x20.00x8.00 (508x508x203)	NP2020C	No	18.2x18.2 (462x462)	10.00 (254)	—
N412242008C	14/14	24.00x20.00x8.00 (610x508x203)	NP2420C	No	22.2x18.2 (564x462)	12.00 (305)	—
N412302008C	14/14	30.00x20.00x8.00 (762x508x203)	NP3020C	No	28.2x18.2 (716x462)	4.00 (102)	22.00 (559)
N412202408C	14/14	20.00x24.00x8.00 (508x610x203)	NP2420C	No	18.2x22.2 (462x564)	10.00 (254)	—

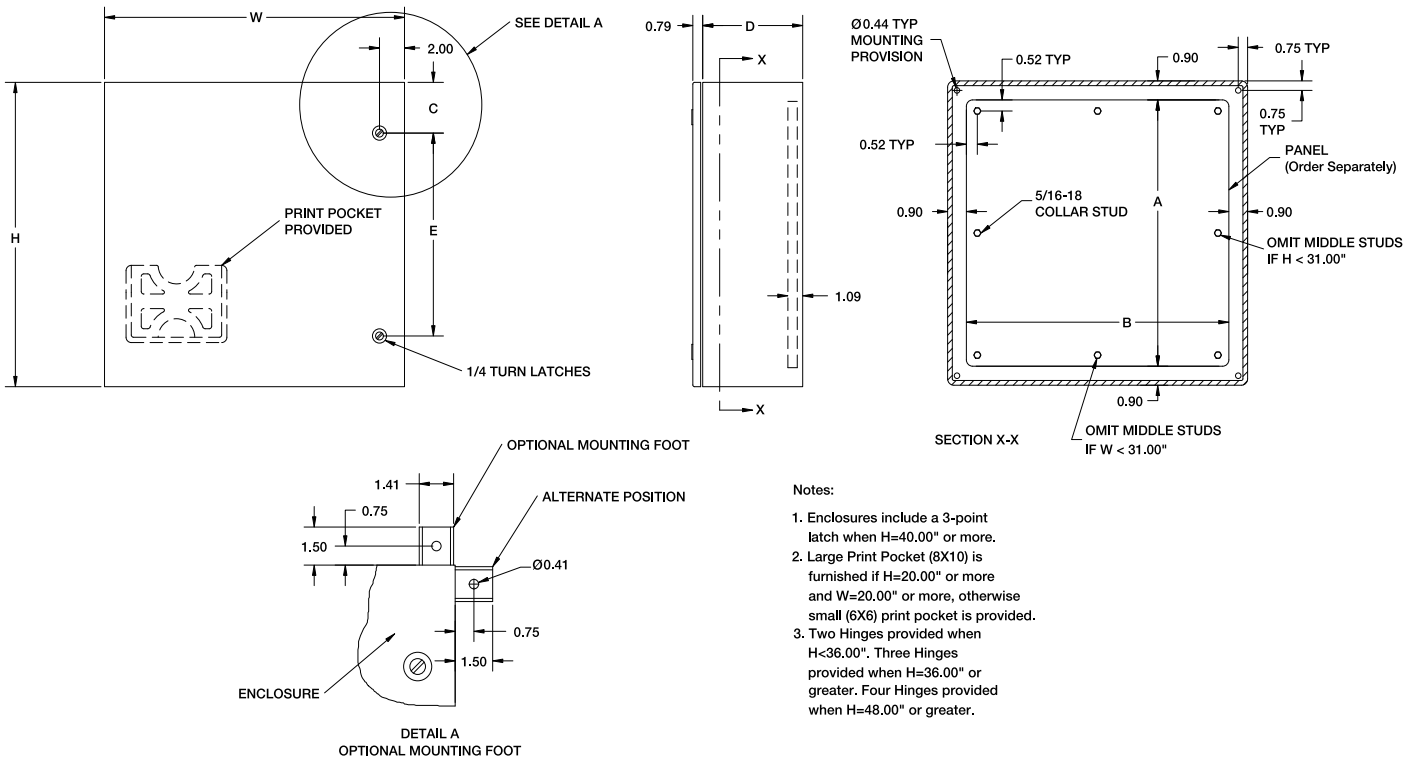
Continued on page D9

N412 ULTIMATE SERIES ENCLOSURES NEMA 4 & 12 SINGLE DOOR WALL-MOUNT

D9

N412C ULTIMATE SERIES SINGLE DOOR ENCLOSURES (CONT.)							
CATALOG NUMBER	BODY/DOOR STEEL GAUGE	ENCLOSURE SIZE H X W X D	BACK PANEL CATALOG NUMBER*	DOOR & BOX STIFFENERS	BACK PANEL SIZE A & B	C	E
N412242408C	14/14	24.00x24.00x8.00 (610x610x203)	NP2424C	No	22.2x22.2 (564x564)	4.00 (102)	16.00 (406)
N412302408C	14/14	30.00x24.00x8.00 (762x610x203)	NP3024C	No	28.2x22.2 (716x564)	4.00 (102)	22.00 (559)
N412362408C	14/14	36.00x24.00x8.00 (914x610x203)	NP3624C	No	34.2x22.2 (869x564)	4.00 (102)	28.00 (711)
N412243008C	14/14	24.00x30.00x8.00 (610x762x203)	NP3024C	No	22.2x28.2 (564x716)	4.00 (102)	16.00 (406)
N412303008C	14/14	30.00x30.00x8.00 (762x762x203)	NP3030C	No	28.2x28.2 (716x716)	4.00 (102)	22.00 (559)
N412363008C	14/14	36.00x30.00x8.00 (914x762x203)	NP3630C	No	34.2x28.2 (869x716)	4.00 (102)	28.00 (711)
N412363608C	14/14	36.00x36.00x8.00 (914x914x203)	NP3636C	No	34.2x34.2 (869x869)	4.00 (102)	28.00 (711)
N412202012C	14/14	20.00x20.00x12.00 (508x508x305)	NP2020C	No	18.2x18.2 (462x462)	10.00 (254)	—
N412242012C	14/14	24.00x20.00x12.00 (610x508x305)	NP2420C	No	22.2x18.2 (564x462)	12.00 (305)	—
N412242412C	14/14	24.00x24.00x12.00 (610x610x305)	NP2424C	No	22.2x22.2 (564x564)	4.00 (102)	16.00 (406)
N412302412C	14/14	30.00x24.00x12.00 (762x610x305)	NP3024C	No	28.2x22.2 (716x564)	4.00 (102)	22.00 (559)
N412303012C	14/14	30.00x30.00x12.00 (762x762x305)	NP3030C	No	28.2x28.2 (716x716)	4.00 (102)	22.00 (559)
N412362412C	14/14	36.00x24.00x12.00 (914x610x305)	NP3624C	No	34.2x22.2 (869x564)	4.00 (102)	28.00 (711)
N412402412C	14/14	40.00x24.00x12.00 (1016x610x305)	NP4024C	No	38.2x22.2 (970x564)	20.00 (508)	—
N412363012C	14/14	36.00x30.00x12.00 (914x762x305)	NP3630C	No	34.2x28.2 (869x716)	4.00 (102)	28.00 (711)
N412363612C	14/14	36.00x36.00x12.00 (914x914x305)	NP3636C	No	34.2x34.2 (869x869)	4.00 (102)	28.00 (711)
N412423612C	14/14	42.00x36.00x12.00 (1067x914x305)	NP4236C	No	40.2x34.2 (1021x869)	21.00 (533)	—
N412482412C**	14/14	48.00x24.00x12.00 (1219x610x305)	NP4824C	No	46.2x22.2 (1173x564)	24.00 (610)	—
N412483612C**	14/14	48.00x36.00x12.00 (1219x914x305)	NP4836C	No	46.2x34.2 (1173x869)	24.00 (610)	—
N412603612C**	14/14	60.00x36.00x12.00 (1524x914x305)	NP6036C	No	58.2x34.2 (1478x869)	30.00 (762)	—
N412242416C**	14/14	24.00x24.00x16.00 (610x610x406)	NP2424C	No	22.2x22.2 (564x564)	4.00 (102)	16.00 (406)
N412363016C**	14/14	36.00x30.00x16.00 (914x762x406)	NP3630C	No	34.2x28.2 (869x716)	4.00 (102)	28.00 (711)
N412483616C**	14/14	48.00x36.00x16.00 (1219x914x406)	NP4836C	No	46.2x34.2 (1173x869)	24.00 (610)	—
N412242420C**	14/14	24.00x24.00x20.00 (610x610x508)	NP2424C	No	22.2x22.2 (564x564)	4.00 (102)	16.00 (406)
N412302420C**	14/14	30.00x24.00x20.00 (762x610x508)	NP3024C	No	28.2x22.2 (716x564)	4.00 (102)	22.00 (559)
N412363020C**	14/14	36.00x30.00x20.00 (914x762x508)	NP3630C	No	34.2x28.2 (869x716)	4.00 (102)	28.00 (711)

*Back panels must be ordered separately. **Enclosures are supplied with closed cell neoprene gasket (not foam-in-place).
Reference Price List or consult factory for old N412 design.



N412W ULTIMATE SERIES ENCLOSURES NEMA 4 & 12 SINGLE DOOR WALL-MOUNT WITH WINDOW



N412WC

Industry Standards

UL 508, Types 4, 12, & 13
CSA Certified, Types 4, 12, & 13
NEMA/EEMAC Type 4, 12, & 13
JIC EL-1-71

UL Files E64791

CSA File LL66078

FEATURES-SPECIFICATIONS

Applications

Hubbell Wiegmann N412WC ULTIMATE Series Enclosures are designed to house and protect electrical and electronic components from harsh, dirty environments. For use in installations where dirt, dust, oil, water, or other contaminants are present. Streamlined styling, flush latching, and attractive durable finish complement any high tech electronic equipment.

Construction

- Bodies and doors fabricated from 14 gauge steel
- Continuously Plasma welded seams

- Increased tub opening for better access
- Concealed hinges
- Plexiglass viewing window
- Doors are interchangeable and easily removable
- Ground stud located in door
- 1/4-turn semi-flush oil tight latches are supplied to hold door securely closed
- Print pocket is provided
- Doors are sealed with poured-in-place polyurethane gasket**
- Mounting holes in rear of enclosure

- Studs for mounting **optional** back panel (the Ultimate back panels have increased in size to accommodate larger foot-print installations)

Finish

- ANSI 61 gray polyester powder inside and out over phosphatized surfaces
- **Optional** back panels are white polyester powder over phosphatized surfaces

Accessories

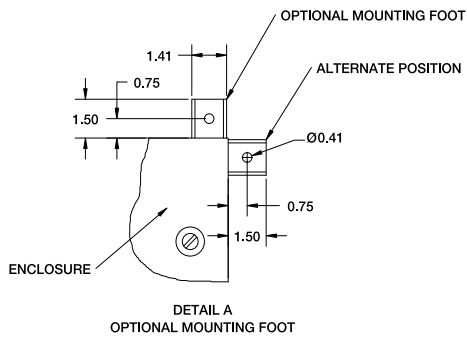
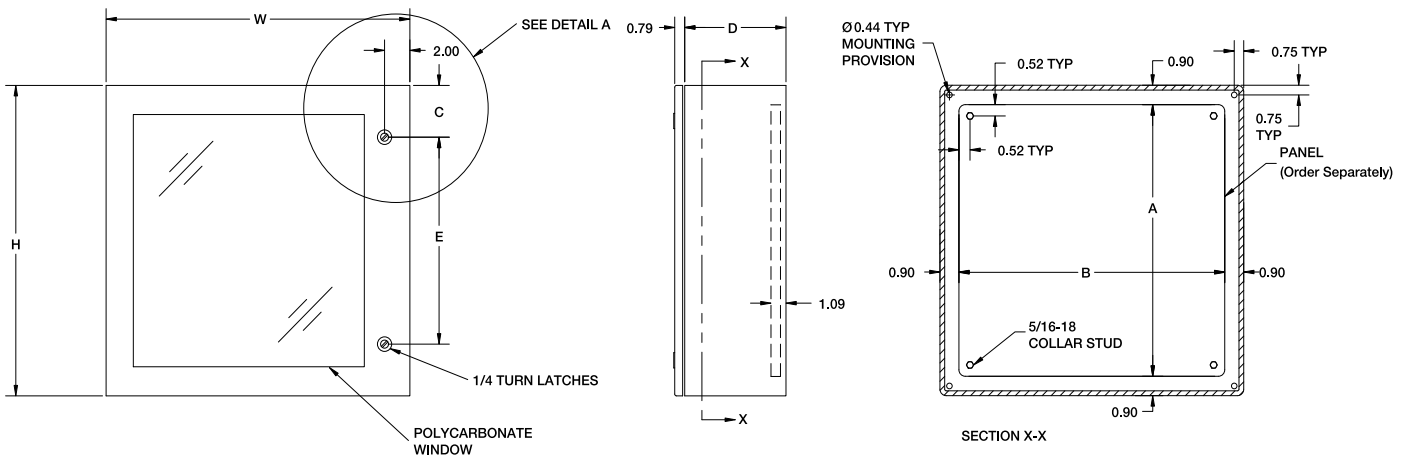
- Back panels (see reference tables)
- See pages J1-J19. See pages J20-J23 for ULTIMATE Series Accessories
- **Optional** N412MFK mounting foot kit must be ordered separately

N412WC ULTIMATE SERIES SINGLE DOOR ENCLOSURES								
CATALOG NUMBER	BODY/DOOR STEEL GAUGE	ENCLOSURE SIZE H X W X D	VIEWABLE WINDOW AREA	BACK PANEL CATALOG NO.*	DOOR & BOX STIFFENERS	BACK PANEL SIZE A & B	C	E
N412121206WC	14/14	12.00x12.00x6.00 (305x305x152)	7.50x6.25 (191x159)	NP1212C	No	10.2x10.2 (259x259)	6.00 (152)	—
N412161206WC	14/14	16.00x12.00x6.00 (406x305x152)	11.50x6.25 (292x159)	NP1612C	No	14.2x10.2 (361x259)	8.00 (203)	—
N412201606WC	14/14	20.00x16.00x6.00 (508x406x152)	15.50x10.25 (394x260)	NP2016C	No	18.2x14.2 (462x361)	10.00 (254)	—
N412202006WC	14/14	20.00x20.00x6.00 (508x508x152)	15.50x14.25 (394x362)	NP2020C	No	18.2x18.2 (462x462)	10.00 (254)	—
N412242006WC	14/14	24.00x20.00x6.00 (610x508x152)	19.50x14.25 (495x362)	NP2420C	No	22.2x18.2 (564x462)	12.00 (305)	—
N412242406WC	14/14	24.00x24.00x6.00 (610x610x152)	19.50x18.25 (495x464)	NP2424C	No	22.2x22.2 (564x564)	4.00 (102)	16.00 (406)
N412302406WC	14/14	30.00x24.00x6.00 (762x610x152)	25.50x18.25 (648x464)	NP3024C	No	28.2x22.2 (716x564)	4.00 (102)	22.00 (559)
N412121208WC	14/14	12.00x12.00x8.00 (305x305x203)	7.50x6.25 (191x159)	NP1212C	No	10.2x10.2 (259x259)	6.00 (152)	—
N412161208WC	14/14	16.00x12.00x8.00 (406x305x203)	11.50x6.25 (292x159)	NP1612C	No	14.2x10.2 (361x259)	8.00 (203)	—
N412201608WC	14/14	20.00x16.00x8.00 (508x406x203)	15.50x10.25 (394x260)	NP2016C	No	18.2x14.2 (462x361)	10.00 (254)	—
N412202008WC	14/14	20.00x20.00x8.00 (508x508x203)	15.50x14.25 (394x362)	NP2020C	No	18.2x18.2 (462x462)	10.00 (254)	—
N412242008WC	14/14	24.00x20.00x8.00 (610x508x203)	19.50x14.25 (495x362)	NP2420C	No	22.2x18.2 (564x462)	12.00 (305)	—
N412242408WC	14/14	24.00x24.00x8.00 (610x610x203)	19.50x18.25 (495x464)	NP2424C	No	22.2x22.2 (564x564)	4.00 (102)	16.00 (406)
N412302408WC	14/14	30.00x24.00x8.00 (762x610x203)	25.50x18.25 (648x464)	NP3024C	No	28.2x22.2 (716x564)	4.00 (102)	22.00 (559)
N412202012WC	14/14	20.00x20.00x12.00 (508x508x305)	15.50x14.25 (394x362)	NP2020C	No	18.2x18.2 (462x462)	10.00 (254)	—
N412242012WC	14/14	24.00x20.00x12.00 (610x508x305)	19.50x14.25 (495x362)	NP2420C	No	22.2x18.2 (564x462)	12.00 (305)	—
N412242412WC	14/14	24.00x24.00x12.00 (610x610x305)	19.50x18.25 (495x464)	NP2424C	No	22.2x22.2 (564x564)	4.00 (102)	16.00 (406)
N412302412WC	14/14	30.00x24.00x12.00 (762x610x305)	25.50x18.25 (648x464)	NP3024C	No	28.2x22.2 (716x564)	4.00 (102)	22.00 (559)
N412242416WC**	14/14	24.00x24.00x16.00 (610x610x406)	19.50x18.25 (495x464)	NP2424C	No	22.2x22.2 (564x564)	4.00 (102)	16.00 (406)
N412242420WC**	14/14	24.00x24.00x20.00 (610x610x508)	19.50x18.25 (495x464)	NP2424C	No	22.2x22.2 (564x564)	4.00 (102)	16.00 (406)
N412302420WC**	14/14	30.00x24.00x20.00 (762x610x508)	25.50x18.25 (648x464)	NP3024C	No	28.2x22.2 (716x564)	4.00 (102)	22.00 (559)

*Back panels must be ordered separately. **Enclosures are supplied with closed cell neoprene gasket (not foam-in-place).
Reference Price List or consult factory for old N412W design.

**N412W ULTIMATE SERIES ENCLOSURES
NEMA 4 & 12 SINGLE DOOR WALL-MOUNT WITH WINDOW**

D11



Notes:

1. Large Print Pocket (8X10) is furnished if H=20.00" or more and W=20.00" or more, otherwise small (6X6) print pocket is provided.
2. Two Hinges provided with each enclosure.

N4 SERIES ENCLOSURES NEMA 4 SINGLE DOOR WALL-MOUNT



N4161206

Industry Standards

UL 508, Types 4, 12, & 13
CSA Certified, Types 4 & 12
NEMA/EEMAC Type 4, 12, & 13
JIC EL-1-71

 UL Files E6924

 CSA File LL66078

FEATURES-SPECIFICATIONS

Applications

Intended for use in housing electrical and electronic controls, instruments, components, and associated wiring, these enclosures incorporate hinged doors which provide convenient access. Designed for indoor or outdoor use in protecting components from dust, dirt, oil, and hose directed water.

Construction

- Bodies and doors fabricated from 14 gauge steel
- Continuously plasma welded seams
- Door and body stiffeners are provided in larger enclosures for extra rigidity

- Rolled lip on three sides of door and all sides of enclosure opening is provided to exclude liquids and contaminants
- Quick and easy to operate stainless steel door clamps are provided
- Doors are removable by pulling stainless steel continuous hinge pin
- Hasp and staple for padlocking
- Print pocket is provided
- Doors are sealed with poured-in-place polyurethane gasket
- Collar studs provided for mounting **optional** back panels
- External mounting feet for mounting enclosure

- Ground stud located in door
- **Optional** back panels must be ordered separately

Finish

- ANSI-61 polyester powder inside and outside over phosphatized surfaces
- **Optional** back panels are white polyester powder over phosphatized surfaces

Accessories

- Back panels (reference tables)
- See pages J1-J19

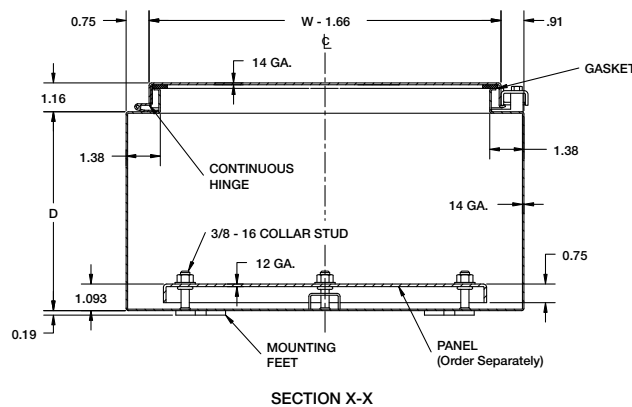
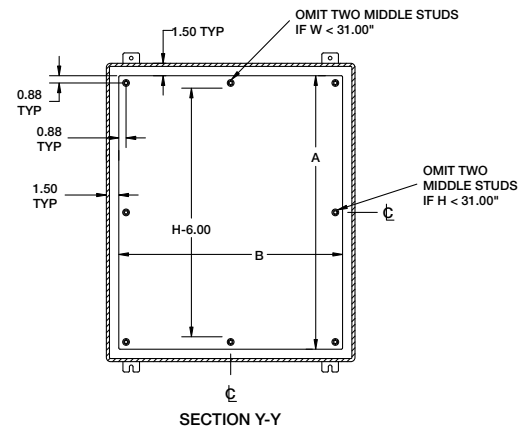
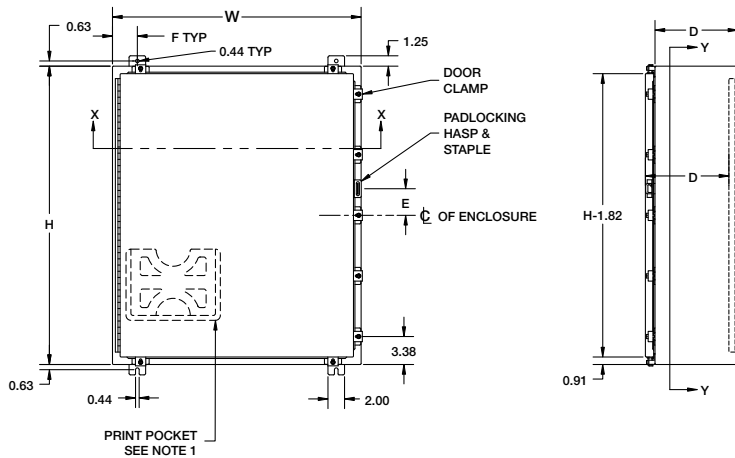
N4 SERIES SINGLE DOOR ENCLOSURES							
CATALOG NUMBER	BODY/DOOR STEEL GAUGE	ENCLOSURE SIZE H X W X D	BACK PANEL CATALOG NUMBER*	BACK PANEL SIZE A X B	STIFFENER		E
					DOOR	BODY	
N4161206	14/14	16.00x12.00x6.00 (406x305x152)	NP1612	13.00x9.00 (330x229)	No	No	—
N4161606	14/14	16.00x16.00x6.00 (406x406x152)	NP1616	13.00x13.00 (330x330)	No	No	—
N4162006	14/14	16.00x20.00x6.00 (406x508x152)	NP2016	13.00x17.00 (330x432)	No	No	—
N4201606	14/14	20.00x16.00x6.00 (508x406x152)	NP2016	17.00x13.00 (432x330)	No	No	—
N4202006	14/14	20.00x20.00x6.00 (508x508x152)	NP2020	17.00x17.00 (432x432)	No	No	—
N4241206	14/14	24.00x12.00x6.00 (610x305x152)	NP2412	21.00x9.00 (533x229)	No	No	4.313 (110)
N4241606	14/14	24.00x16.00x6.00 (610x406x152)	NP2416	21.00x13.00 (533x330)	No	No	4.313 (110)
N4242006	14/14	24.00x20.00x6.00 (610x508x152)	NP2420	21.00x17.00 (533x432)	No	No	4.313 (110)
N4242406	14/14	24.00x24.00x6.00 (610x610x152)	NP2424	21.00x21.00 (533x533)	No	No	4.313 (110)
N4302006	14/14	30.00x20.00x6.00 (762x508x152)	NP3020	27.00x17.00 (686x432)	No	No	5.813 (148)
N4302406	14/14	30.00x24.00x6.00 (762x610x152)	NP3024	27.00x21.00 (686x533)	No	No	5.813 (148)
N4362406	14/14	36.00x24.00x6.00 (914x610x152)	NP3624	33.00x21.00 (838x533)	No	No	7.313 (186)
N4161208	14/14	16.00x12.00x8.00 (406x305x203)	NP1612	13.00x9.00 (330x229)	No	No	—
N4201608	14/14	20.00x16.00x8.00 (508x406x203)	NP2016	17.00x13.00 (432x330)	No	No	—
N4202008	14/14	20.00x20.00x8.00 (508x508x203)	NP2020	17.00x17.00 (432x432)	No	No	—
N4202408	14/14	20.00x24.00x8.00 (508x610x203)	NP2420	21.00x17.00 (533x432)	No	No	—
N4242008	14/14	24.00x20.00x8.00 (610x508x203)	NP2420	21.00x17.00 (533x432)	No	No	4.313 (110)
N4242408	14/14	24.00x24.00x8.00 (610x610x203)	NP2424	21.00x21.00 (533x533)	No	No	4.313 (110)

Continued on page D13

N4 SERIES SINGLE DOOR ENCLOSURES (CONT.)							
CATALOG NUMBER	BODY/DOOR STEEL GAUGE	ENCLOSURE SIZE H X W X D	BACK PANEL CATALOG NUMBER*	BACK PANEL SIZE A X B	STIFFENER		E
					DOOR	BODY	
N4243008	14/14	24.00x30.00x8.00 (610x762x203)	NP3024	21.00x27.00 (533x686)	No	No	4.313 (110)
N4302008	14/14	30.00x20.00x8.00 (762x508x203)	NP3020	27.00x17.00 (686x432)	No	No	5.813 (148)
N4302408	14/14	30.00x24.00x8.00 (762x610x203)	NP3024	27.00x21.00 (686x533)	No	No	5.813 (148)
N4303008	14/14	30.00x30.00x8.00 (762x762x203)	NP3030	27.00x27.00 (686x686)	No	Yes	5.813 (148)
N4362408	14/14	36.00x24.00x8.00 (914x610x203)	NP3624	33.00x21.00 (838x533)	No	No	7.313 (186)
N4363008	14/14	36.00x30.00x8.00 (914x762x203)	NP3630	33.00x27.00 (838x686)	No	Yes	7.313 (186)
N4423008	14/14	42.00x30.00x8.00 (1067x762x203)	NP4230	39.00x27.00 (991x686)	No	Yes	—
N4423608	14/14	42.00x36.00x8.00 (1067x914x203)	NP4236	39.00x33.00 (991x838)	Yes	Yes	—
N4483608**	14/14	48.00x36.00x8.00 (1219x914x203)	NP4836	45.00x33.00 (1143x838)	Yes	Yes	—
N4603608**	14/14	60.00x36.00x8.00 (1524x914x203)	NP6036	57.00x33.00 (1448x838)	Yes	Yes	6.656 (169)
N4201610	14/14	20.00x16.00x10.00 (508x406x254)	NP2016	17.00x13.00 (432x330)	No	No	—
N4242010	14/14	24.00x20.00x10.00 (610x508x254)	NP2420	21.00x17.00 (533x432)	No	No	4.313 (110)
N4302410	14/14	30.00x24.00x10.00 (762x610x254)	NP3024	27.00x21.00 (686x533)	No	No	5.813 (148)
N4363010	14/14	36.00x30.00x10.00 (914x762x254)	NP3630	33.00x27.00 (838x686)	No	Yes	7.313 (186)
N4483010**	14/14	48.00x30.00x10.00 (1219x762x254)	NP4830	45.00x27.00 (1143x686)	Yes	Yes	—
N4483610**	14/14	48.00x36.00x10.00 (1219x914x254)	NP4836	45.00x33.00 (1143x838)	Yes	Yes	—
N4603610**	14/14	60.00x36.00x10.00 (1524x914x254)	NP6036	57.00x33.00 (1448x838)	Yes	Yes	6.656 (169)
N4302412	14/14	30.00x24.00x12.00 (762x610x305)	NP3024	27.00x21.00 (686x533)	No	No	5.813 (148)
N4363012	14/14	36.00x30.00x12.00 (914x762x305)	NP3630	33.00x27.00 (838x686)	No	Yes	7.313 (186)
N4483612**	14/14	48.00x36.00x12.00 (1219x914x305)	NP4836	45.00x33.00 (1143x838)	Yes	Yes	—
N4363016**	14/14	36.00x30.00x16.00 (914x762x406)	NP3630	33.00x27.00 (838x686)	No	Yes	7.313 (186)
N4483616**	14/14	48.00x36.00x16.00 (1219x914x406)	NP4836	45.00x33.00 (1143x838)	Yes	Yes	—
N4603616**	14/14	60.00x36.00x16.00 (1524x914x406)	NP6036	57.00x33.00 (1448x838)	Yes	Yes	6.656 (169)

* Back panels must be ordered separately.

** Enclosures are supplied with closed cell neoprene gasket (not foam-in-place).



NOTES:

1. Large print pocket (8X10) is furnished if H = 20.00" or more and W = 20.00" or more. Otherwise small (6X6) print pocket is provided.
2. Panels are made from 12 Ga. steel.
3. Panels have flanges along all sides when either dimension exceeds 17".
4. The number of door clamps is dependent on size of enclosure. Clamps are furnished along three sides of door.
5. F = 3" when W is 16" or greater and 1-1/4" when W is 12" or less.

N4D SERIES ENCLOSURES NEMA 4 FLOOR-MOUNT



Industry Standards

UL 508, Types 3, 4, & 12
CSA Certified, Type 3, 4, & 12
NEMA/EEMAC Types 3, 4, & 12

 UL File E64791

 CSA File LL66078

FEATURES-SPECIFICATIONS

Applications

Designed to house electrical and electronic controls, components, and instruments in wet non-corrosive environments. Typical applications for these enclosures include dairies, breweries, and other food processing activities that may require hose down. Enclosures are also suitable for outdoor applications.

Construction

- Bodies, doors, and floor stand feet are fabricated from 12 and 10 gauge steel
- Continuously welded seams ground smooth, less knockouts or holes
- X-type body stiffeners are added for extra strength

- Rolled lip around three sides of door and along top of enclosures opening excludes liquids and contaminants from entering
- Quick and easy to operate stainless steel door clamps around three sides of doors are provided
- Heavy gauge continuous hinges are provided to secure doors
- Doors are removable by pulling stainless steel continuous hinge pin
- Hasp and staple are provided for padlocking
- Print pocket is provided
- Standard 12" high floor kits are welded to bottom of enclosure
- Heavy duty removable lifting eyes

- Collar studs for mounting **optional** panels
- Easily removable center post permits easy panel installations
- Doors are sealed with closed cell neoprene gasket
- Grounding provisions provided

Finish

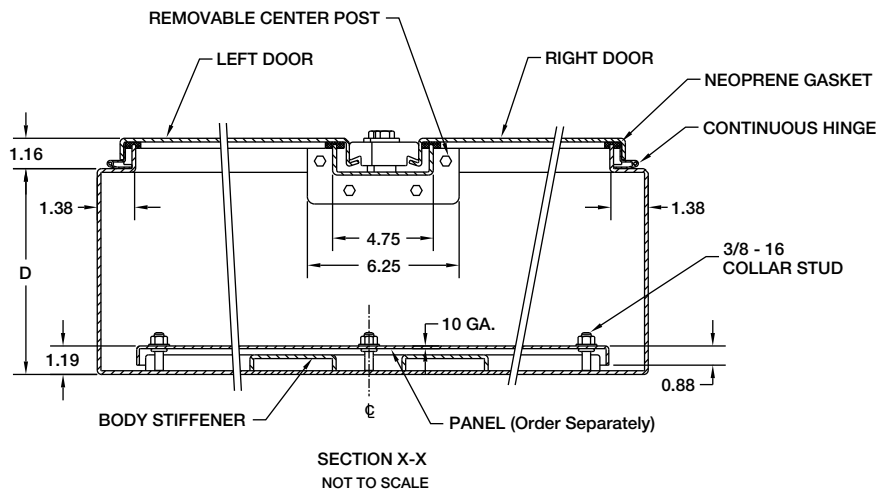
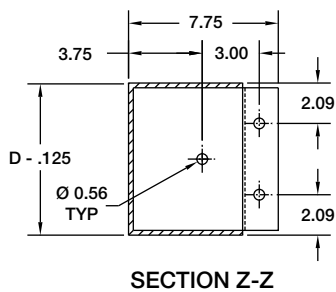
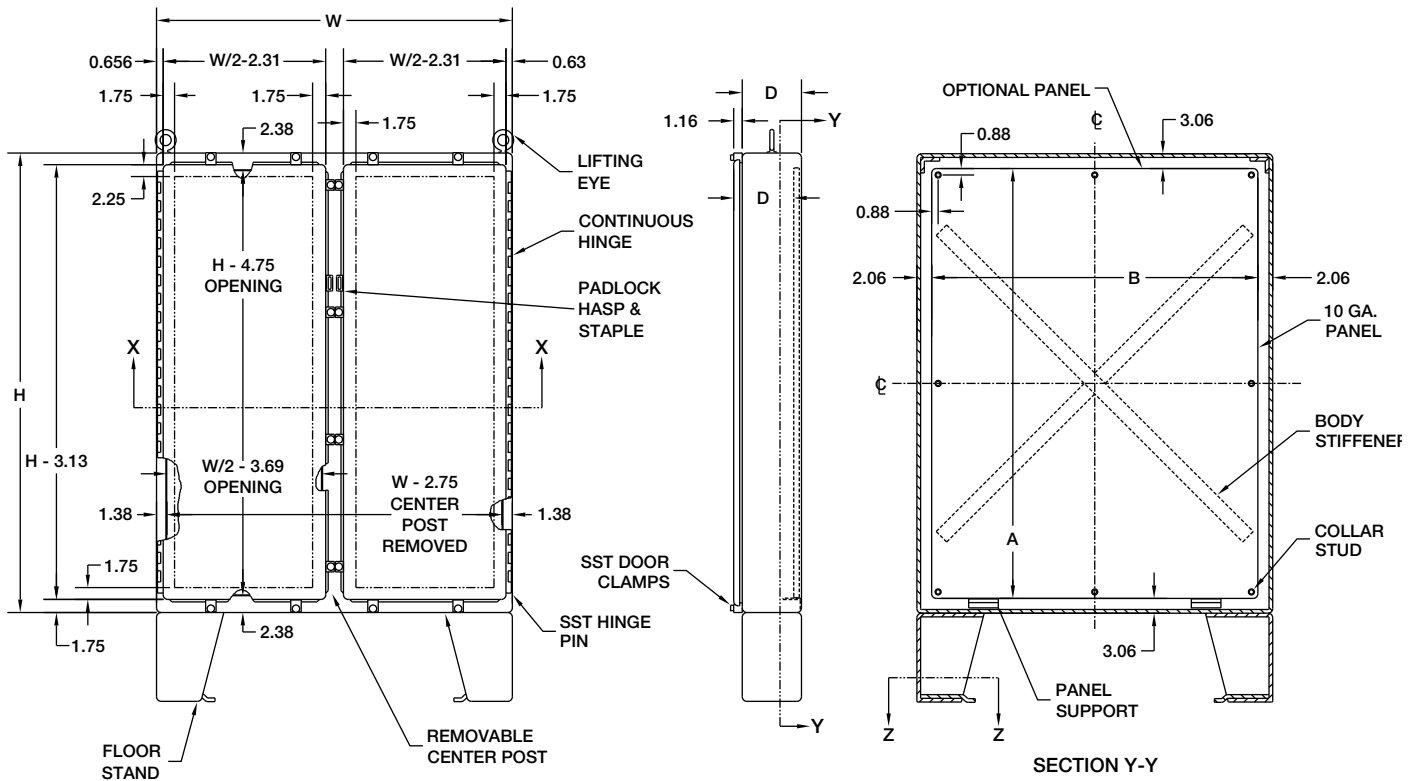
- ANSI-61 gray polyester powder inside and out over phosphatized surfaces
- **Optional** back panels are white polyester powder over phosphatized surfaces

Accessories

- Back panels (reference tables)
- See pages J1-J19

N4D SERIES FLOOR-MOUNT ENCLOSURES				
CATALOG NUMBER	BODY/DOOR STEEL GAUGE	ENCLOSURE SIZE W X H X D	BACK PANEL CATALOG NUMBER*	BACK PANEL SIZE A X B
N4D624810	12/12	62.12x48.12x10.12 (1578x1222x257)	NPDD6048	56.00x44.00 (1422x1118)
N4D626012	12/12	62.12x60.12x12.12 (1578x1527x308)	NPDD6060	56.00x56.00 (1422x1422)
N4D746012	12/12	74.12x60.12x12.12 (1883x1527x308)	NPDD7260	68.00x56.00 (1727x1422)
N4D747212	10/10	74.12x72.12x12.12 (1883x1832x308)	NPDD7272	68.00x68.00 (1727x1727)
N4D747224	10/10	74.12x72.12x24.12 (1883x1832x613)	NPDD7272	68.00x68.00 (1727x1727)

*Back panels must be ordered separately.



N4S-FS SERIES ENCLOSURES NEMA 4 SINGLE DOOR FREESTANDING



N4S723724FS

Industry Standards

UL 508, Types 3, 4, & 12
CSA Certified, Type 3, 4, & 12
NEMA/EEMAC Types 3, 4, & 12

 UL File E64791

 CSA File LL66078

FEATURES-SPECIFICATIONS

Applications

Designed to house electrical and electronic controls, terminals, and instruments in areas that are regularly hosed down or are otherwise very wet. Also suitable for outdoor applications.

Construction

- Bodies and doors fabricated from 12 gauge steel
- Continuously welded seams ground smooth, less knockouts or holes
- “Uni-strut” mounting channels are welded horizontally to interior body sides, top, bottom and center
- **Optional** swing, half, full and rack panels can be mounted anywhere along “uni-strut” channel

- Rolled lip around three sides of door and along top of enclosures opening excludes liquids and contaminants from entering
- Quick and easy to operate stainless steel door clamps around three sides of doors
- Heavy gauge continuous hinge with stainless steel hinge pin
- Doors are removable by pulling stainless steel continuous hinge pin
- Hasp and staple are provided for padlocking
- Print pocket is provided
- Heavy duty removable lifting eyes

- Doors are sealed with closed cell neoprene gasket
- Grounding provisions provided

Finish

- ANSI-61 gray polyester powder inside and out over phosphatized surfaces
- **Optional** back panels are white polyester powder over phosphatized surfaces

Accessories

- Back panels (reference tables)
- See pages J1-J19

N4S-FS SERIES SINGLE DOOR ENCLOSURES				
CATALOG NUMBER	BODY/DOOR STEEL GAUGE	ENCLOSURE SIZE H X W X D	Y	BACK PANELS*
N4S722518FS	12/12	72.12x25.12x18.12 (1832x638x460)	6.38 (162)	See pages C29-C31 & I7-I12
N4S723124FS	12/12	72.12x31.12x24.12 (1832x790x613)	8.38 (213)	
N4S723724FS	12/12	72.12x37.12x24.12 (1832x943x613)	10.38 (264)	

*Back panels must be ordered separately.

NOTES

PBSS SERIES ENCLOSURES NEMA 12 & 13 (30.5MM) PUSHBUTTON WALL-MOUNT



PBSS3

Industry Standards

UL 508, Types 12 & 13
CSA Certified, Type 12
NEMA/EEMAC Type 12 & 13
JIC EL-1-71

 UL File E64791

 CSA File LL66078

FEATURES-SPECIFICATIONS

Applications

Designed to hold all standard brands of pushbuttons, switches and pilot lights. Provide protection from dust, dirt, oil and water. PBSS Series designed for areas where serious corrosion problems exist.

Construction

- Bodies and doors fabricated from 14 gauge 304 or 316 stainless steel
- Continuously welded seams ground smooth
- Closed cell oil resistant neoprene gasket

- External mounting plates, top and bottom of enclosure
- Captivated cover screws thread into sealed wells
- Standard "4-way" pushbutton holes accept all brands of oil-tight push buttons, switches and pilot lights
- Enclosures 9.50" x 6.25" x 3.00" and larger have internal detachable hinges to hold cover open during wiring, yet permit quick removal
- Grounding provisions provided

Finish

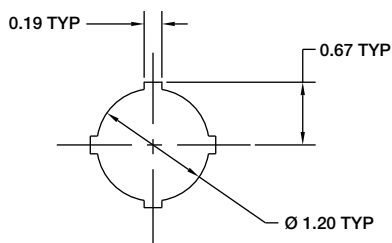
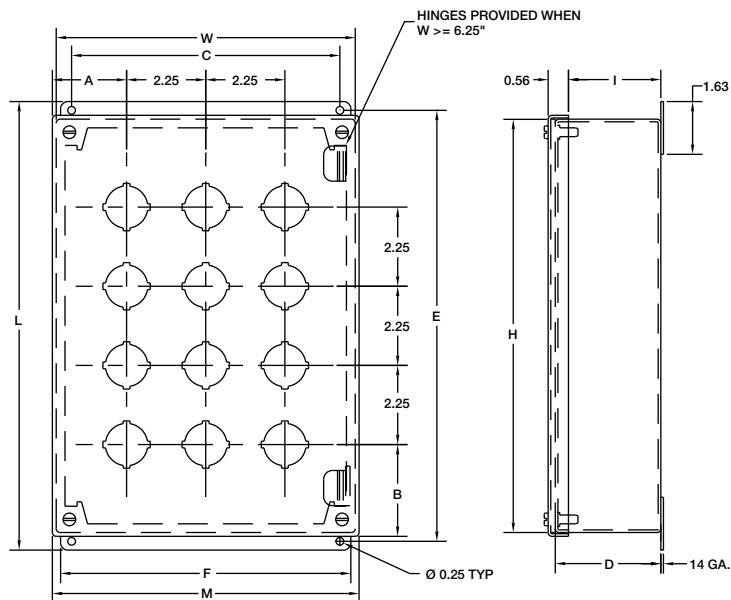
- Cover and outside of enclosure have a smooth grained finish

Accessories

- See pages H18-H19 for Painted Gray PB Series
- See page J4 for hole seals

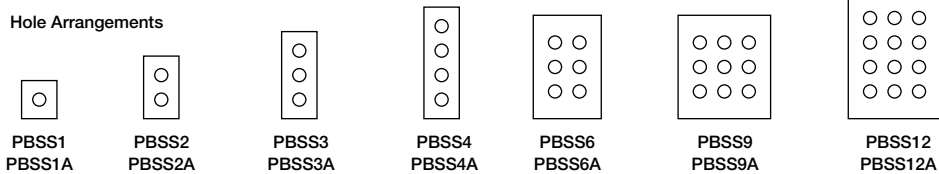
PBSS SERIES (30.5MM) PUSHBUTTON ENCLOSURES

CATALOG NUMBER		BODY/DOOR STEEL GAUGE	ENCLOSURE SIZE H X W X D	MOUNTING C X E	OVERALL L X M	F	I	A	B
304 S.S.	316 S.S.								
PBSS1	PBSS1A	14/14	3.50x3.25x2.81 (89x83x71)	2.38x4.00 (60x102)	4.50x3.56 (114x90)	3.00 (76)	2.41 (61)	1.78 (45)	1.88 (48)
PBSS2	PBSS2A	14/14	5.75x3.25x2.81 (146x83x71)	2.38x6.25 (60x159)	6.75x3.56 (171x90)	3.00 (76)	2.41 (61)	1.78 (45)	1.88 (48)
PBSS3	PBSS3A	14/14	8.00x3.25x2.81 (203x83x71)	2.38x8.50 (60x216)	9.00x3.56 (229x90)	3.00 (76)	2.41 (61)	1.78 (45)	1.88 (48)
PBSS4	PBSS4A	14/14	10.25x3.25x2.81 (260x83x71)	2.38x10.75 (60x273)	11.25x3.56 (286x90)	3.00 (76)	2.41 (61)	1.78 (45)	1.88 (48)
PBSS6	PBSS6A	14/14	9.50x6.25x3.09 (241x159x79)	5.38x10.00 (137x254)	10.50x6.56 (267x167)	6.00 (152)	2.69 (68)	2.16 (55)	2.63 (67)
PBSS9	PBSS9A	14/14	9.50x8.50x3.09 (241x216x79)	7.63x10.00 (194x254)	10.50x8.81 (267x224)	8.25 (210)	2.69 (68)	2.16 (55)	2.63 (67)
PBSS12	PBSS12A	14/14	11.75x8.50x3.09 (298x216x79)	7.63x12.25 (194x311)	12.75x8.81 (324x224)	8.25 (210)	2.69 (68)	2.16 (55)	2.63 (67)



Standard 4-Way Pushbutton

Hole Arrangements



PBXD-SS SERIES ENCLOSURES
NEMA 12 & 13 (30.5MM) PUSHBUTTON WALL-MOUNT



PBXD3SS

Industry Standards

UL 508, Types 12 & 13
 CSA Certified, Type 12
 NEMA/EEMAC Type 12 & 13
 JIC EL-1-71

 UL File E64791

 CSA File LL66078

FEATURES-SPECIFICATIONS

Applications

Designed to hold 30.5mm oil-tight pushbuttons, switches, and pilot lights. Provide protection against dirt, dust, oil, and water. Extra deep design accommodates additional contact blocks for pushbuttons.

Construction

- Bodies and doors fabricated from 14 gauge 304 stainless steel
- Continuously welded seams ground smooth
- Closed cell oil resistant neoprene gasket

- External mounting plates, top and bottom of enclosure
- Captivated cover screws thread into sealed wells
- Standard "4-way" pushbuttons holes accept all brands of oil-tight push buttons, switches and pilot lights
- 6.00" x 4.00" x 4.75" and larger have internal detachable hinges to hold cover open during wiring, yet permit quick removal
- Grounding provisions provided

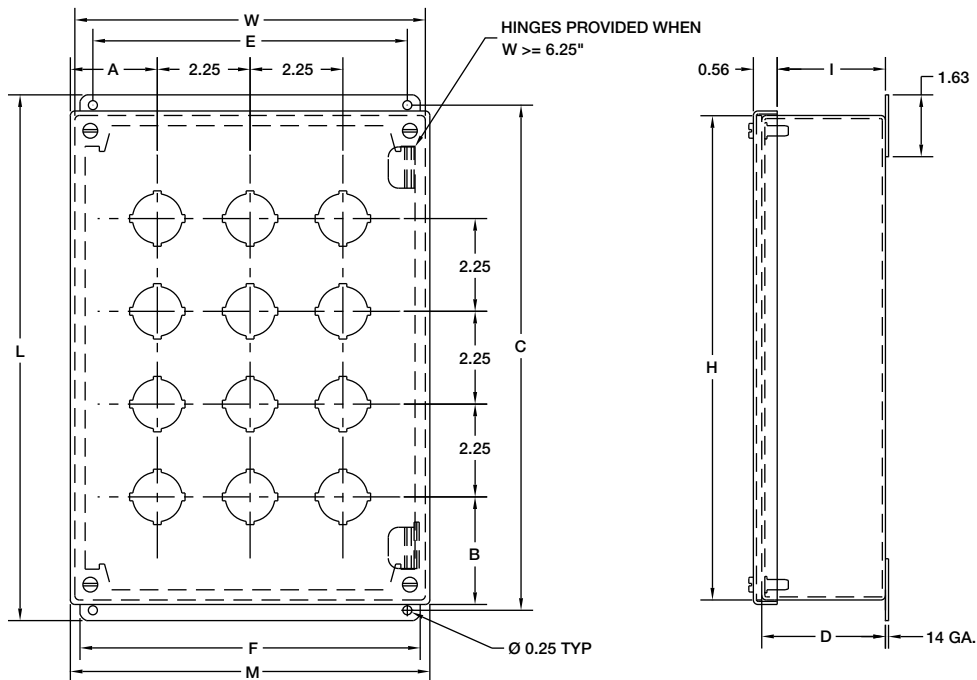
Finish

- Cover and outside of enclosure have a smooth grained finish

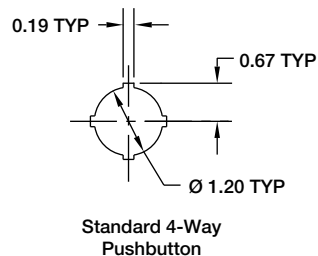
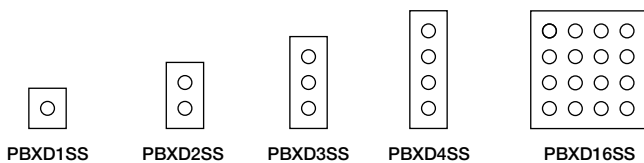
Accessories

- See pages H22-H23 for Painted Gray PBXD Series
- See page J4 for hole seals

PBXD-SS SERIES STAINLESS PUSHBUTTON ENCLOSURES								
CATALOG NUMBER	BODY/DOOR STEEL GAUGE	ENCLOSURE SIZE H X W X D	MOUNTING E X C	OVERALL L X M	F	I	A	B
PBXD1SS	14/14	4.00x4.00x4.81 (102x102x122)	3.13x4.50 (79x114)	5.00x4.31 (127x110)	3.75 (95)	4.41 (112)	2.19 (56)	2.16 (55)
PBXD2SS	14/14	6.00x4.00x4.81 (152x102x122)	3.13x6.50 (79x165)	7.00x4.31 (178x110)	3.75 (95)	4.41 (112)	2.19 (56)	2.03 (52)
PBXD3SS	14/14	8.00x4.00x4.81 (203x102x122)	3.13x8.50 (79x216)	9.00x4.31 (229x110)	3.75 (95)	4.41 (112)	2.19 (56)	1.97 (50)
PBXD4SS	14/14	10.00x4.00x4.81 (254x102x122)	3.13x10.50 (79x267)	11.00x4.31 (279x110)	3.75 (95)	4.41 (112)	2.19 (56)	1.78 (45)
PBXD16SS	14/14	11.75x10.75x4.81 (298x273x122)	9.88x12.25 (251x311)	12.75x11.06 (324x281)	11.50 (292)	4.41 (112)	2.19 (56)	2.61 (66)



PBXD Hole Arrangements



BN4-SS SERIES ENCLOSURES NEMA 4X JIC CLAMP COVER WALL-MOUNT



BN4060604SS

Industry Standards


UL 50, Types 4, 4X, 12 & 13
(6 X 6 X 4 & above)

UL 508, Types 4, 4X, 12 & 13 (6 X 4 X
3 & smaller)

CSA Certified, Types 4 & 12

NEMA/EEMAC Type 4, 4X, 12 & 13

JIC EL-1-71

 UL Files E23553, E64791

 CSA File LL66078

FEATURES-SPECIFICATIONS

Applications

Provides unmatched protection for housing electrical components in highly corrosive environments. This enclosure is used in indoor and outdoor settings that are frequently wet or have constant exposure to water, other liquids, or contaminants.

Construction

- Bodies and doors fabricated from 16 gauge type 304 stainless steel
- Continuously welded seams ground smooth, less knockouts or holes

- Closed cell oil resistant neoprene gasket
- External mounting plates, top and bottom of enclosure
- Weldnuts are provided on models 6.00" x 4.00" and larger to secure optional panel
- Stainless steel screws and clamps on four sides of cover assure water-tight seal
- Grounding provisions provided
- **Optional** panels and terminal kits must be ordered separately

Finish

- Cover and outside of enclosure have a smooth grained finish
- **Optional** back panels are white polyester powder over phosphatized surfaces or grained finish stainless steel

Accessories

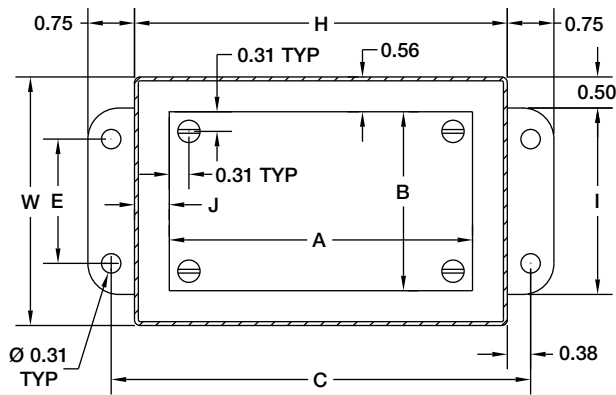
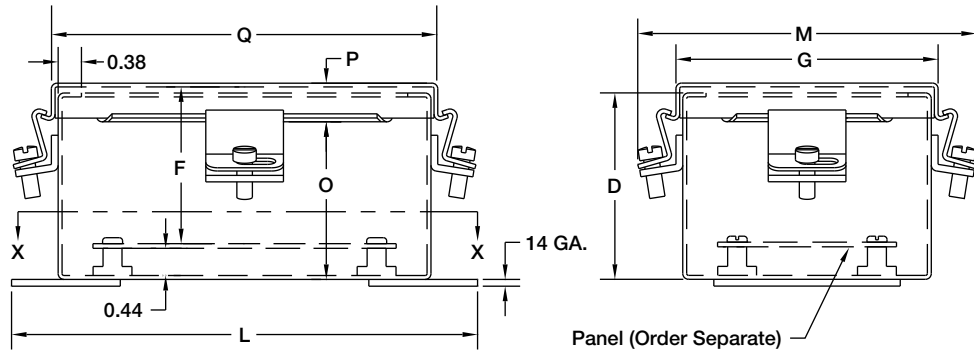
- Back panels (reference tables)
- See pages J1-J19

BN4-SS SERIES JIC CLAMP COVER STAINLESS ENCLOSURES																
CATALOG NUMBER	BODY/DOOR STEEL GAUGE	ENCLOSURE SIZE H X W X D	BACK PANEL CATALOG NUMBER*		BACK PANEL SIZE A X B	MOUNTING C X E	OVERALL L X M	F	G	I	J	K	N	O	P	Q
			WHITE	304 S.S.												
BN4040403SS	16/16	4.00x4.00x3.00 (102x102x76)	—	—	—	4.75x2.00 (121x51)	5.50x5.63 (140x143)	2.53 (64)	4.31 (109)	3.00 (76)	—	1.38 (35)	1.38 (35)	2.53 (64)	0.63 (16)	4.31 (110)
BN4060403SS	16/16	6.00x4.00x3.00 (152x102x76)	P0604	P0604SS	4.88x2.88 (124x73)	6.75x2.00 (171x51)	7.50x5.63 (191x143)	2.53 (64)	4.31 (109)	3.00 (76)	0.56 (14)	1.38 (35)	2.38 (60)	2.53 (64)	0.63 (16)	6.31 (160)
BN4060604SS	16/16	6.00x6.00x4.00 (152x152x102)	P0606	P0606SS	4.88x4.88 (124x124)	6.75x4.00 (171x102)	7.50x7.63 (191x194)	3.53 (90)	6.31 (160)	5.00 (127)	0.56 (14)	2.38 (60)	2.38 (60)	3.53 (90)	0.63 (16)	6.31 (160)
BN4080604SS	16/16	8.00x6.00x4.00 (203x152x102)	P0806	P0806SS	6.88x4.88 (175x124)	8.75x4.00 (222x102)	9.50x7.63 (241x194)	3.53 (90)	6.31 (160)	5.00 (127)	0.56 (14)	2.38 (60)	3.38 (86)	3.53 (90)	0.63 (16)	8.31 (211)
BN4100804SS	16/16	10.00x8.00x4.00 (254x203x102)	P1008	P1008SS	8.88x6.88 (226x175)	10.75x6.00 (273x152)	11.50x9.63 (292x244)	3.53 (90)	8.31 (211)	7.00 (178)	0.56 (14)	3.38 (86)	1.50 (38)	3.53 (90)	0.63 (16)	10.31 (262)
BN4121005SS	16/16	12.00x10.00x5.00 (305x254x127)	P1210	P1210SS	10.88x8.88 (276x226)	12.75x8.00 (324x203)	13.50x11.63 (343x295)	4.53 (115)	10.31 (262)	9.00 (229)	0.56 (14)	2.00 (51)	3.00 (76)	4.53 (115)	0.63 (16)	12.31 (313)
BN4141206SS	16/16	14.00x12.00x6.00 (356x305x152)	P1412	P1412SS	12.88x10.88 (327x276)	14.75x10.00 (375x254)	15.50x13.63 (394x346)	5.53 (141)	12.31 (313)	11.00 (279)	0.56 (14)	2.00 (51)	3.00 (76)	5.53 (141)	0.63 (16)	14.31 (364)
BN4161406SS	16/16	16.00x14.00x6.00 (406x356x152)	P1614	P1614SS	14.88x12.88 (378x327)	16.75x12.00 (425x305)	17.50x15.63 (445x397)	5.53 (141)	14.31 (363)	13.00 (330)	0.56 (14)	3.50 (89)	1.50 (38)	5.53 (141)	0.63 (16)	16.31 (414)

*Back panels must be ordered separately.

**BN4-SS SERIES ENCLOSURES
NEMA 4X JIC CLAMP COVER WALL-MOUNT**

E7

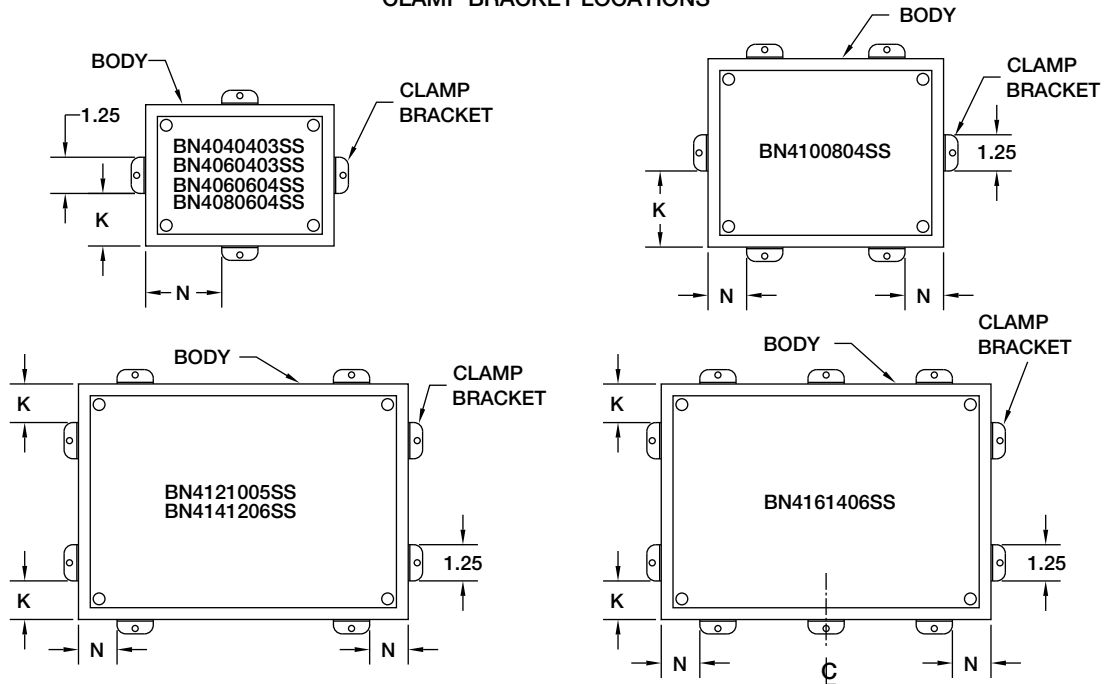


SECTION X-X

Notes:

1. Panels are 14 Ga. steel.
2. Panel Screws are #10-32 Pan Head.

CLAMP BRACKET LOCATIONS



BN4-CHSS SERIES ENCLOSURES NEMA 4X JIC CONTINUOUS HINGE WALL-MOUNT



BN4141206CHSS

Industry Standards

UL 50, Types 4, 4X, 12 & 13
CSA Certified, Types 4 & 12
NEMA/EEMAC Type 4, 4X, 12 & 13
JIC EL-1-71

 UL File E6924

 CSA File LL66078

FEATURES-SPECIFICATIONS

Applications

Provides unmatched protection for housing electrical components in highly corrosive environments. This enclosure is used in indoor and outdoor settings that are frequently wet or have constant exposure to water, other liquids, or contaminants.

Construction

- Bodies and doors fabricated from 16 gauge type 304 stainless steel or 16 gauge type 316 stainless steel
- Continuously welded seams ground smooth, less knockouts or holes

- Closed cell oil resistant neoprene gasket
- External mounting feet
- Weldnuts are provided on models 6.00" x 4.00" and larger to secure optional back panel
- Stainless steel screws and clamps, equal to enclosure construction, on three sides of cover assure watertight seal
- Door removed by pulling stainless steel continuous hinge pin
- Grounding provisions provided
- **Optional** panels and terminal kits must be ordered separately

Finish

- Cover and outside of enclosure have a smooth grained finish
- **Optional** back panels are white polyester powder over phosphatized surfaces or grained finish stainless steel

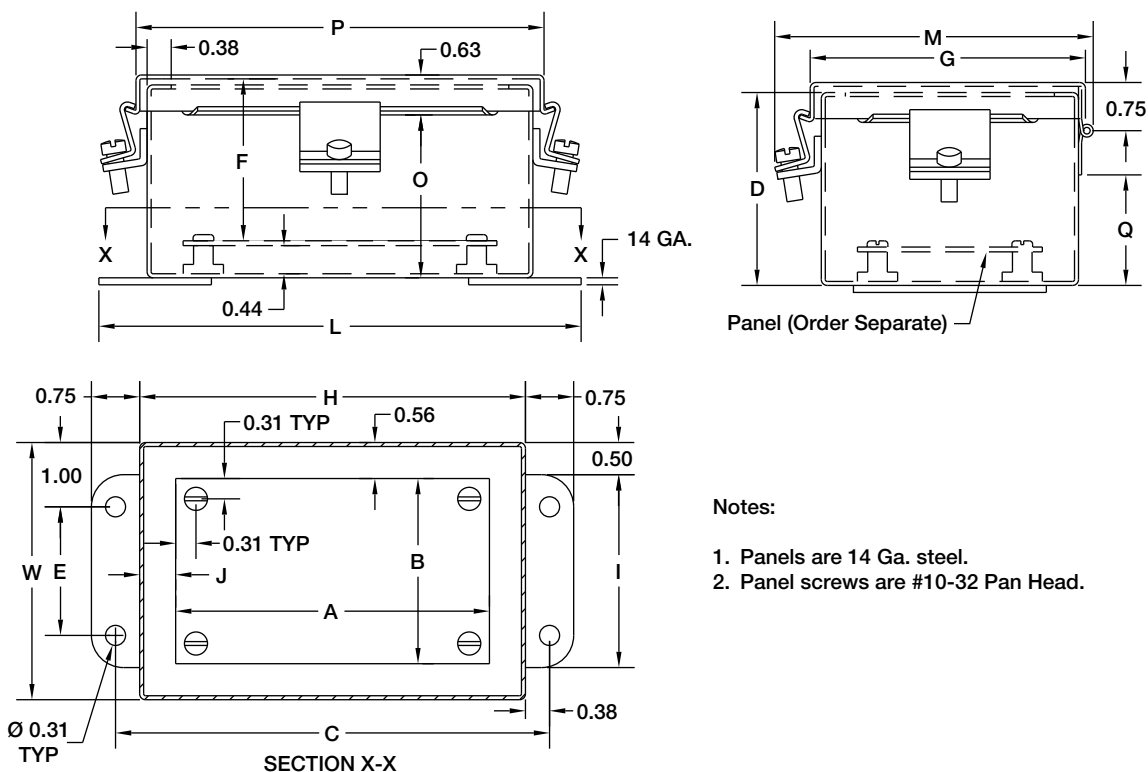
Accessories

- Back panels (reference tables)
- See pages J1-J19

BN4-CHSS SERIES JIC CONTINUOUS HINGE STAINLESS ENCLOSURES															
CATALOG NUMBER	BODY/DOOR STEEL GAUGE	ENCLOSURE SIZE H X W X D	BACK PANEL CAT. NUMBER* WHITE/304 S.S.	BACK PANEL SIZE A X B	MOUNTING C X E	OVERALL L X M	F	G	I	J	K	N	O	P	Q
BN4060404CHSS BN4060404CHSSA	16/16	6.00x4.00x4.00 (152x102x102)	P0604 P0604SS	4.88x2.88 (124x73)	6.75x2.00 (171x51)	7.50x5.00 (191x127)	3.53 (90)	4.31 (109)	3.00 (76)	0.56 (14)	1.38 (35)	2.38 (60)	3.53 (90)	6.31 (160)	2.78 (71)
BN4060604CHSS BN4060604CHSSA	16/16	6.00x6.00x4.00 (152x152x102)	P0606 P0606SS	4.88x4.88 (124x124)	6.75x4.00 (171x102)	7.50x7.00 (191x178)	3.53 (90)	6.31 (160)	5.00 (127)	0.56 (14)	2.38 (60)	2.38 (60)	3.53 (90)	6.31 (160)	2.78 (71)
BN4080604CHSS BN4080604CHSSA	16/16	8.00x6.00x4.00 (203x152x102)	P0806 P0806SS	6.88x4.88 (175x124)	8.75x4.00 (222x102)	9.50x7.00 (241x178)	3.53 (90)	6.31 (160)	5.00 (127)	0.56 (14)	2.38 (60)	3.38 (86)	3.53 (90)	8.31 (211)	2.78 (71)
BN4100804CHSS BN4100804CHSSA	16/16	10.00x8.00x4.00 (254x203x102)	P1008 P1008SS	8.88x6.88 (226x175)	10.75x6.00 (273x152)	11.50x9.00 (292x229)	3.53 (90)	8.31 (211)	7.00 (178)	0.56 (14)	3.38 (86)	1.50 (38)	3.53 (90)	10.31 (262)	2.78 (71)
BN4121006CHSS BN4121006CHSSA	16/16	12.00x10.00x6.00 (305x254x152)	P1210 P1210SS	10.88x8.88 (276x226)	12.75x8.00 (324x203)	13.50x11.00 (343x279)	5.53 (141)	10.31 (262)	9.00 (229)	0.56 (14)	2.00 (51)	3.00 (76)	5.53 (141)	12.31 (313)	4.78 (121)
BN4121206CHSS BN4121206CHSSA	16/16	12.00x12.00x6.00 (305x305x152)	P1212 P1212SS	10.88x10.88 (276x276)	12.75x10.00 (324x254)	13.50x13.00 (343x330)	5.53 (141)	12.31 (313)	11.00 (279)	0.56 (14)	2.50 (64)	2.50 (64)	5.53 (141)	12.31 (313)	4.78 (121)
BN4141206CHSS BN4141206CHSSA	16/16	14.00x12.00x6.00 (356x305x152)	P1412 P1412SS	12.88x10.88 (327x276)	14.75x10.00 (375x254)	15.50x13.00 (394x330)	5.53 (141)	12.31 (313)	11.00 (279)	0.56 (14)	2.00 (51)	3.00 (76)	5.53 (141)	14.31 (364)	4.78 (121)
BN4161406CHSS BN4161406CHSSA	16/16	16.00x14.00x6.00 (406x356x152)	P1614 P1614SS	14.88x12.88 (378x327)	16.75x12.00 (425x305)	17.50x15.00 (445x381)	5.53 (141)	14.31 (363)	13.00 (330)	0.56 (14)	3.50 (89)	1.50 (38)	5.53 (141)	16.31 (414)	4.78 (121)

*Back panels must be ordered separately.

**BN4-CHSS SERIES ENCLOSURES
NEMA 4X JIC CONTINUOUS HINGE WALL-MOUNT**

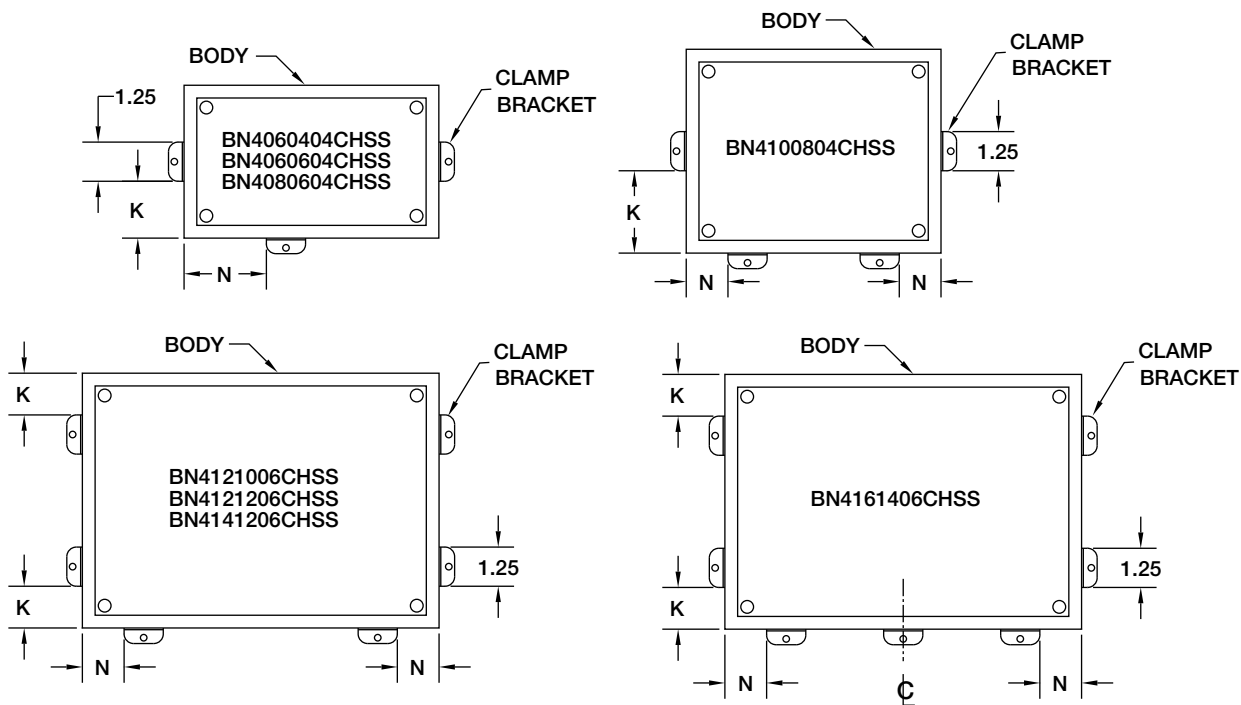


Panel (Order Separate)

Notes:

1. Panels are 14 Ga. steel.
2. Panel screws are #10-32 Pan Head.

CLAMP BRACKET LOCATIONS



**BN4-AL SERIES ENCLOSURES
NEMA 4 LIFT OFF COVER WALL-MOUNT**



BN4060604AL

Industry Standards

UL 50, Types 4, 4X, 12 & 13
 CSA Certified, Types 4 & 12
 NEMA/EEMAC Type 4, 4X, 12 & 13
 JIC EL-1-71

 UL File E6924

 CSA File LL66078

FEATURES-SPECIFICATIONS

Applications

Designed as an instrument housing or junction box for electrical, electronic, or pneumatic components. It is ideal for applications where a lightweight, corrosion resistant enclosure is required.

Construction

- Bodies and doors fabricated from .080-inch thick (2 millimeters) 5052-H32 aluminum
- Continuously welded seams ground smooth, less holes or knockouts

- Closed cell oil resistant neoprene gasket
- External mounting plate, top and bottom of enclosure
- Weldnuts are provided on Models 6.00" x 4.00" and larger to secure optional panel
- Stainless steel screws and clamps on four sides of cover to assure water tight seal
- **Optional** panels and terminal kits must be ordered separately
- Grounding provisions provided

Finish

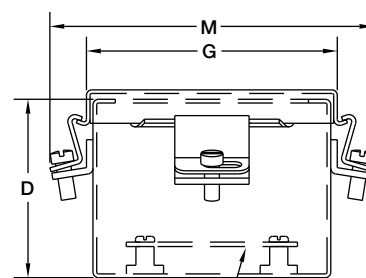
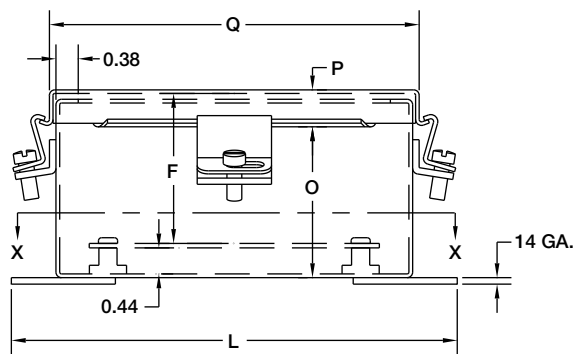
- Exterior and doors of enclosures have a smooth grained finish
- **Optional** back panels are white polyester powder over phosphatized surfaces

Accessories

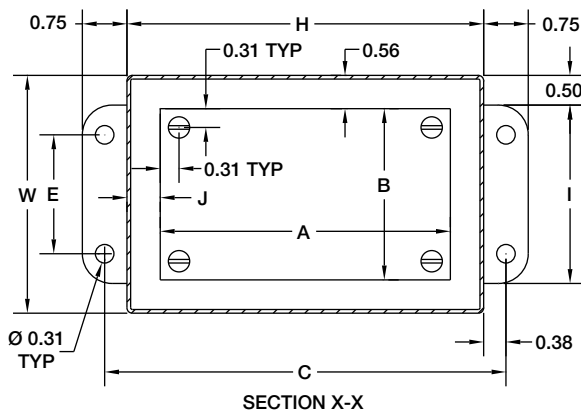
- Back panels (reference tables)
- See pages J1-J19

BN4-CH SERIES CLAMP COVER ALUMINUM ENCLOSURES															
CATALOG NUMBER	BODY/DOOR ALUMINUM GAUGE	ENCLOSURE SIZE H X W X D	BACK PANEL CATALOG NUMBER*	BACK PANEL SIZE A X B	MOUNTING C X E	OVERALL L X M	F	G	I	J	K	N	O	P	Q
BN4060604AL	14/14	6.00x6.00x4.00 (152x152x102)	P0606	4.88x4.88 (124x124)	6.75x4.00 (171x102)	7.50x7.63 (191x194)	3.53 (90)	6.31 (160)	5.00 (127)	0.56 (14)	2.38 (60)	2.38 (60)	3.53 (90)	0.63 (16)	6.31 (160)
BN4080603AL	14/14	8.00x6.00x3.50 (203x152x89)	P0806	6.88x4.88 (175x124)	8.75x4.00 (222x102)	9.50x7.63 (241x194)	3.03 (77)	6.31 (160)	5.00 (127)	0.56 (14)	2.38 (60)	3.38 (86)	3.03 (77)	0.63 (16)	8.31 (211)
BN4100804AL	14/14	10.00x8.00x4.00 (254x203x102)	P1008	8.88x6.88 (226x175)	10.75x6.00 (273x152)	11.50x9.63 (292x244)	3.53 (90)	8.31 (211)	7.00 (178)	0.56 (14)	3.38 (86)	1.50 (38)	3.53 (90)	0.63 (16)	10.31 (262)
BN4121005AL	14/14	12.00x10.00x5.00 (305x254x127)	P1210	10.88x8.88 (276x226)	12.75x8.00 (324x203)	13.50x11.63 (343x295)	4.53 (115)	10.31 (262)	9.00 (229)	0.56 (14)	2.00 (51)	3.00 (76)	4.53 (115)	0.63 (16)	12.31 (313)
BN4141206AL	14/14	14.00x12.00x6.00 (356x305x152)	P1412	12.88x10.88 (327x276)	14.75x10.00 (375x254)	15.50x13.63 (394x346)	5.53 (141)	12.31 (313)	11.00 (279)	0.56 (14)	2.00 (51)	3.00 (76)	5.53 (141)	0.63 (16)	14.31 (364)
BN4161406AL	14/14	16.00x14.00x6.00 (406x356x152)	P1614	14.88x12.88 (378x327)	16.75x12.00 (425x305)	17.50x15.63 (445x397)	5.53 (141)	14.31 (363)	13.00 (330)	0.56 (14)	3.50 (89)	1.50 (38)	5.53 (141)	0.63 (16)	16.31 (414)

*Back panels must be ordered separately



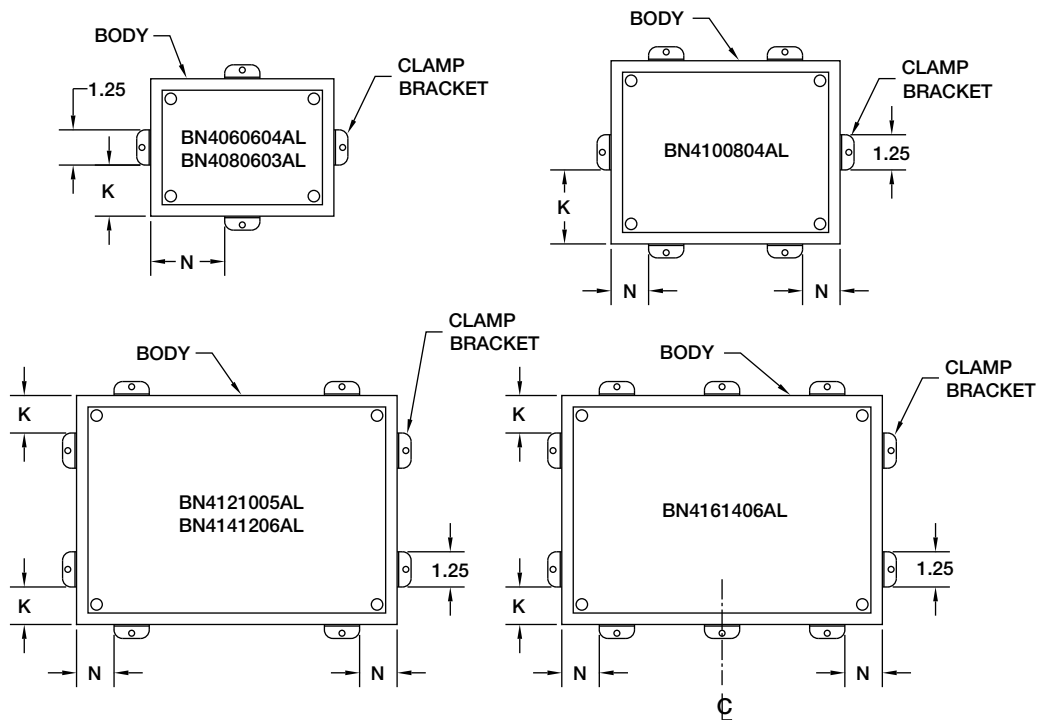
Panel (Order Separately)



Notes:

1. Panels are 14 Ga. steel.
2. Panel screws are #10-32 Pan Head.

CLAMP BRACKET LOCATIONS



**BN4-CHAL SERIES ENCLOSURES
NEMA 4X JIC CONTINUOUS HINGE WALL-MOUNT**

BN4080603CHAL
Industry Standards

UL 50, Types 4, 4X, 12 & 13
CSA Certified, Types 4 & 12
NEMA/EEMAC Type 4, 4X, 12 & 13
JIC EL-1-71

 UL File E6924

 CSA File LL66078

FEATURES-SPECIFICATIONS
Applications

Designed as an instrument housing or junction box for electrical, electronic, or pneumatic components. It is ideal for applications where a lightweight, corrosion resistant enclosure is required.

Construction

- Bodies and doors fabricated from .080-inch thick (2 millimeters) 5052-H32 aluminum
- Continuously welded seams ground smooth, less holes or knockouts
- Closed cell oil resistant neoprene gasket

- External mounting plate, top and bottom of enclosure
- Weldnuts are provided on Models 6.00" x 4.00" and larger to secure optional panel
- Stainless steel screws and clamps on three sides of cover to assure water tight seal
- **Optional** panels and terminal kits must be ordered separately
- Grounding provisions provided
- Cover removed by pulling stainless steel continuous hinge pin

Finish

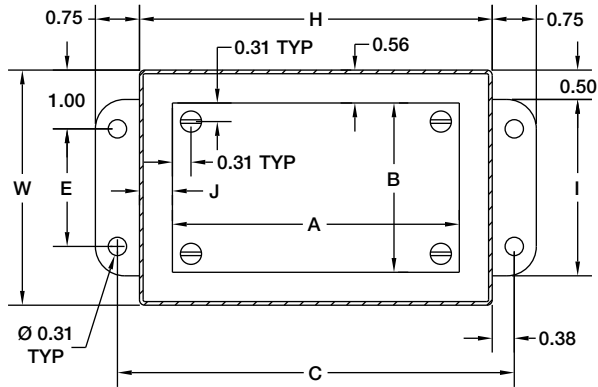
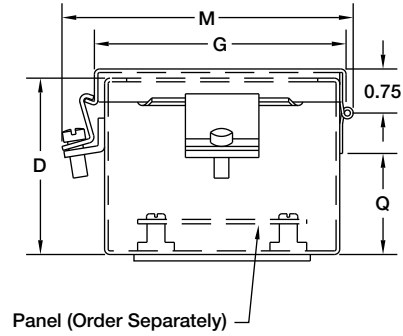
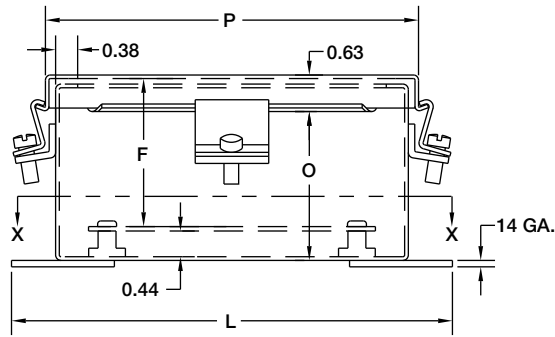
- Exterior and doors of enclosures have a smooth grained finish
- **Optional** back panels are white polyester powder over phosphatized surfaces

Accessories

- Back panels (reference tables)
- See pages J1-J19

BN4-CHAL SERIES CONTINUOUS HINGE ALUMINUM ENCLOSURES															
CATALOG NUMBER	BODY/DOOR ALUMINUM GAUGE	ENCLOSURE SIZE H X W X D	BACK PANEL CATALOG NUMBER*	BACK PANEL SIZE A X B	MOUNTING C X E	OVERALL L X M	F	G	I	J	K	N	O	P	Q
BN4060604CHAL	14/14	6.00x6.00x4.00 (152x152x102)	P0606	4.88x4.88 (124x124)	6.75x4.00 (171x102)	7.50x7.00 (191x178)	3.53 (90)	6.31 (160)	5.00 (127)	0.56 (14)	2.38 (60)	2.38 (60)	3.53 (90)	6.31 (160)	2.78 (71)
BN4080603CHAL	14/14	8.00x6.00x3.50 (203x152x89)	P0806	6.88x4.88 (175x124)	8.75x4.00 (222x102)	9.50x7.00 (241x178)	3.03 (77)	6.31 (160)	5.00 (127)	0.56 (14)	2.38 (60)	3.38 (86)	3.03 (77)	8.31 (211)	2.28 (58)
BN4100804CHAL	14/14	10.00x8.00x4.00 (254x203x102)	P1008	8.88x6.88 (226x175)	10.75x6.00 (273x152)	11.50x9.00 (292x229)	3.53 (90)	8.31 (211)	7.00 (178)	0.56 (14)	3.38 (86)	1.50 (38)	3.53 (90)	10.31 (262)	2.78 (71)
BN4121005CHAL	14/14	12.00x10.00x5.00 (305x254x127)	P1210	10.88x8.88 (276x226)	12.75x8.00 (324x203)	13.50x11.00 (343x279)	4.53 (115)	10.31 (262)	9.00 (229)	0.56 (14)	2.00 (51)	3.00 (76)	4.53 (115)	12.31 (313)	3.78 (96)
BN4141206CHAL	14/14	14.00x12.00x6.00 (356x305x152)	P1412	12.88x10.88 (327x276)	14.75x10.00 (375x254)	15.50x13.00 (394x330)	5.53 (141)	12.31 (313)	11.00 (279)	0.56 (14)	2.00 (51)	3.00 (76)	5.53 (141)	14.31 (364)	4.78 (121)
BN4161406CHAL	14/14	16.00x14.00x6.00 (406x356x152)	P1614	14.88x12.88 (378x327)	16.75x12.00 (425x305)	17.50x15.00 (445x381)	5.53 (141)	14.31 (363)	13.00 (330)	0.56 (14)	3.50 (89)	1.50 (38)	5.53 (141)	16.31 (414)	4.78 (121)

*Back panels must be ordered separately.

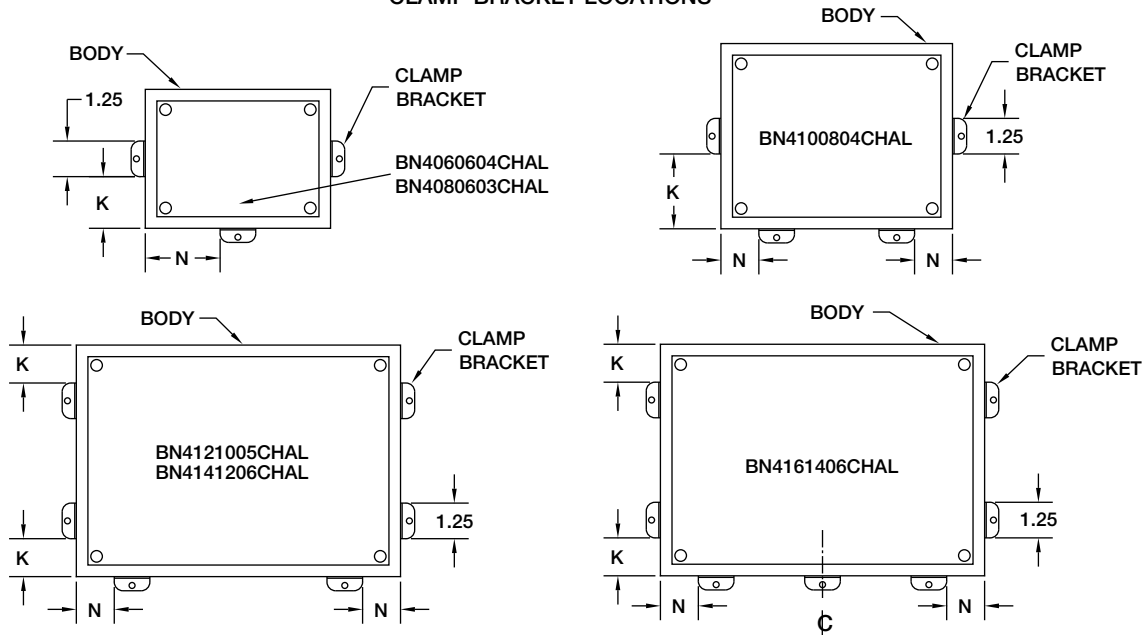


SECTION X-X

Notes:

1. Panels are 14 Ga. steel.
2. Panel screws are #10-32 Pan Head.

CLAMP BRACKET LOCATIONS



WC-CSS SERIES ENCLOSURES NEMA 12 CONSOLET SINGLE DOOR



WC12C12SS

Industry Standards

UL 508, Types 12 & 13
CSA Certified, Type 12
NEMA/EEMAC Type 12 & 13
JIC EL-1-71

 UL Files E64791

 CSA File LL66078

FEATURES-SPECIFICATIONS

Applications

Designed to house a variety of electronic control or instrumentation devices. Consolets provide protection from dust, dirt, oil, and water. Flexible design allows for mounting on either or two sides, creating control surfaces of 30 degrees or 60 degrees. Consolets can be mounted on desktops, pedestals, or other flat surfaces.

Construction

- Bodies and doors fabricated from 14 gauge 304 stainless steel
- Continuously welded seams ground smooth, less knockouts or holes
- Captivated cover screws thread into sealed wells
- Control panel is continuously hinged along bottom edge

- Closed cell oil resistant neoprene gasket
- Grounding provisions provided

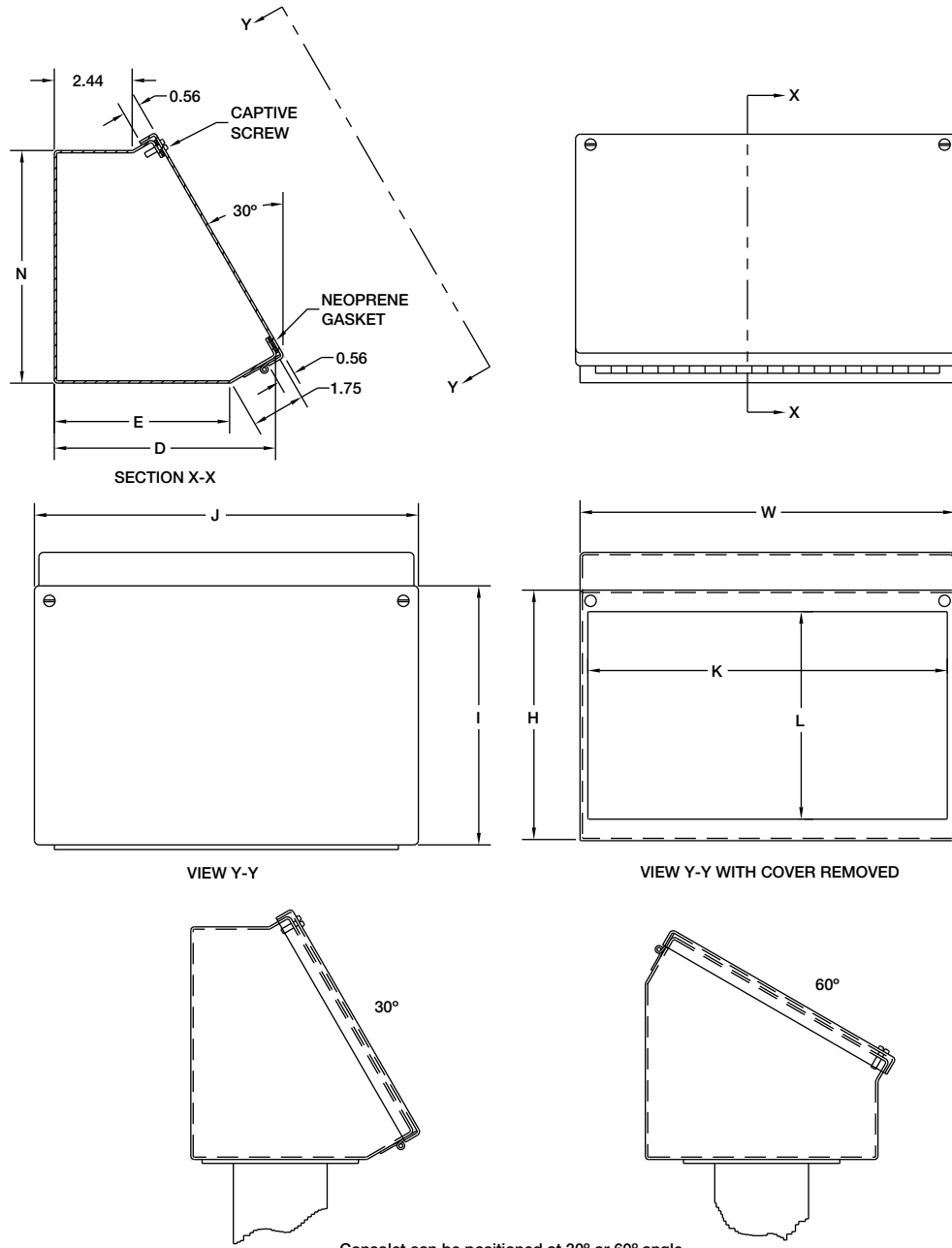
Finish

- Smooth brushed finish

Accessories

See pages J1-J19

WC-CSS SERIES CONSOLET ENCLOSURES								
CATALOG NUMBER	BODY/DOOR STEEL GAUGE	ENCLOSURE SIZE H X W X D	E	N	L	K	I	J
WC08C08SS	14/14	8.00x8.00x7.09 (203x203x180)	5.69 (144)	7.44 (189)	6.56 (167)	7.44 (189)	8.31 (211)	8.31 (211)
WC08C12SS	14/14	8.00x12.00x7.09 (203x305x180)	5.69 (144)	7.44 (189)	6.56 (167)	11.44 (291)	8.31 (211)	12.31 (313)
WC08C16SS	14/14	8.00x16.00x7.09 (203x406x180)	5.69 (144)	7.44 (189)	6.56 (167)	15.44 (392)	8.31 (211)	16.31 (414)
WC08C20SS	14/14	8.00x20.00x7.09 (203x508x180)	5.69 (144)	7.44 (189)	6.56 (167)	19.44 (494)	8.31 (211)	20.31(516)
WC12C12SS	14/14	12.00x12.00x9.09 (305x305x231)	7.69 (195)	10.91 (277)	10.56 (268)	11.44 (291)	12.31 (313)	12.31 (313)
WC12C16SS	14/14	12.00x16.00x9.09 (305x406x231)	7.69 (195)	10.91 (277)	10.56 (268)	15.44 (392)	12.31 (313)	16.31 (414)
WC12C20SS	14/14	12.00x20.00x9.09 (305x508x231)	7.69 (195)	10.91 (277)	10.56 (268)	19.44 (494)	12.31 (313)	20.31 (516)
WC12C24SS	14/14	12.00x24.00x9.09 (305x610x231)	7.69 (195)	10.91 (277)	10.56 (268)	23.44 (595)	12.31 (313)	24.31 (618)
WC16C16SS	14/14	16.00x16.00x11.09 (406x406x282)	9.69 (246)	14.38 (365)	14.56 (370)	15.44 (392)	16.31 (414)	16.31 (414)
WC16C20SS	14/14	16.00x20.00x11.09 (406x508x282)	9.69 (246)	14.38 (365)	14.56 (370)	19.44 (494)	16.31 (414)	20.31 (516)
WC16C24SS	14/14	16.00x24.00x11.09 (406x610x282)	9.69 (246)	14.38 (365)	14.56 (370)	23.44 (595)	16.31 (414)	24.31 (618)
WC16C30SS	14/14	16.00x30.00x11.09(406x762x282)	9.69 (246)	14.38 (365)	14.56 (370)	29.44 (748)	16.31 (414)	30.31 (770)
WC16C36SS	14/14	16.00x36.00x11.09 (406x914x282)	9.69 (246)	14.38 (365)	14.56 (370)	35.44 (900)	16.31 (414)	36.31 (922)
WC20C20SS	14/14	20.00x20.00x13.09 (508x508x333)	11.69 (297)	17.84 (453)	18.56 (471)	19.44 (494)	20.31 (516)	20.31 (516)
WC20C24SS	14/14	20.00x24.00x13.09 (508x610x333)	11.69 (297)	17.84 (453)	18.56 (471)	23.44 (595)	20.31 (516)	24.31 (618)
WC20C30SS	14/14	20.00x30.00x13.09 (508x762x333)	11.69 (297)	17.84 (453)	18.56 (471)	29.44 (748)	20.31 (516)	30.31 (770)



N412-SS ULTIMATE SERIES ENCLOSURES NEMA 4X SINGLE DOOR WALL-MOUNT



N412201606SSC

Industry Standards

UL 508, Types 4, 4X, 12, & 13
CSA Certified, Types 4X, 12, & 13
NEMA/EEMAC Type 4, 4X, 12, & 13
JIC EL-1-71

 UL Files E64791

 CSA File LL66078

FEATURES-SPECIFICATIONS

Applications

Hubbell Wiegmann N412SSC ULTIMATE Stainless Steel Series Enclosures are designed to house and protect electrical and electronic components from harsh, dirty environments. For use in installations where dirt, dust, oil, water, or other contaminants are present. It is typically used in the following areas where corrosion-resistant protection is needed: food processing plants, pharmaceutical manufacturing facilities, petrochemical plants, pulp and paper processing, and waste water treatment facilities. Streamlined styling, flush latching, and attractive Stainless Steel finish complement any high tech electronic equipment.

Construction

- Bodies and doors fabricated from 14 gauge 304 or 316 Stainless Steel
- Continuously Plasma welded seams
- Increased tub opening for better access
- Concealed hinges
- Doors are interchangeable and easily removable
- Ground stud located in door
- 1/4-turn semi-flush oil tight latches are supplied to hold door securely closed
- Print pocket is provided
- Doors are sealed with poured-in-place polyurethane gasket**
- Mounting holes in rear of enclosure

- Studs for mounting **optional** back panel (the Ultimate back panels have increased in size to accommodate larger foot-print installations)

Finish

- All exterior surfaces have a smooth grained finish
- **Optional** back panels are white polyester powder over phosphatized surfaces

Accessories

- Back panels (see reference tables)
- Window door (see reference tables)
- See pages J1-J19. See pages J20-J23 for ULTIMATE Series Accessories
- **Optional** N412MFKSS mounting foot kit must be ordered separately

N412SSC ULTIMATE SERIES SINGLE DOOR WITH WINDOW STAINLESS ENCLOSURES									
CATALOG NUMBER		BODY/DOOR STEEL GAUGE	ENCLOSURE SIZE H X W X D	BACK PANEL CATALOG NUMBER*		DOOR & BOX STIFFENERS	BACK PANEL SIZE A & B	C	E
304 S.S.	316 S.S.			WHITE	316 S.S.				
N412121206SSC	N412121206SSAC	14/14	12.00x12.00x6.00 (305x305x152)	NP1212C	—	No	10.2x10.2 (259x259)	6.00 (152)	—
N412161206SSC	N412161206SSAC	14/14	16.00x12.00x6.00 (406x305x152)	NP1612C	NP1612SSAC	No	14.2x10.2 (361x259)	8.00 (203)	—
N412161606SSC	N412161606SSAC	14/14	16.00x16.00x6.00 (406x406x152)	NP1616C	NP1616SSAC	No	14.2x14.2 (361x361)	8.00 (203)	—
N412201606SSC	N412201606SSAC	14/14	20.00x16.00x6.00 (508x406x152)	NP2016C	NP2016SSAC	No	18.2x14.2 (462x361)	10.00 (254)	—
N412202006SSC	N412202006SSAC	14/14	20.00x20.00x6.00 (508x508x152)	NP2020C	NP2020SSAC	No	18.2x18.2 (462x462)	10.00 (254)	—
N412161208SSC	N412161208SSAC	14/14	16.00x12.00x8.00 (406x305x203)	NP1612C	NP1612SSAC	No	14.2x10.2 (361x259)	8.00 (203)	—
N412161608SSC	N412161608SSAC	14/14	16.00x16.00x8.00 (406x406x203)	NP1616C	NP1616SSAC	No	14.2x14.2 (361x361)	8.00 (203)	—
N412162008SSC	N412162008SSAC	14/14	16.00x20.00x8.00 (406x508x203)	NP2016C	NP2016SSAC	No	14.2x18.2 (361x462)	8.00 (203)	—
N412201608SSC	N412201608SSAC	14/14	20.00x16.00x8.00 (508x406x203)	NP2016C	NP2016SSAC	No	18.2x14.2 (462x361)	10.00 (254)	—
N412202008SSC	N412202008SSAC	14/14	20.00x20.00x8.00 (508x508x203)	NP2020C	NP2020SSAC	No	18.2x18.2 (462x462)	10.00 (254)	—
N412241608SSC	N412241608SSAC	14/14	24.00x16.00x8.00 (610x406x203)	NP2416C	NP2416SSAC	No	22.2x14.2 (564x361)	10.00 (254)	—

Continued on page E17

N412-SS ULTIMATE SERIES ENCLOSURES NEMA 4X SINGLE DOOR WALL-MOUNT

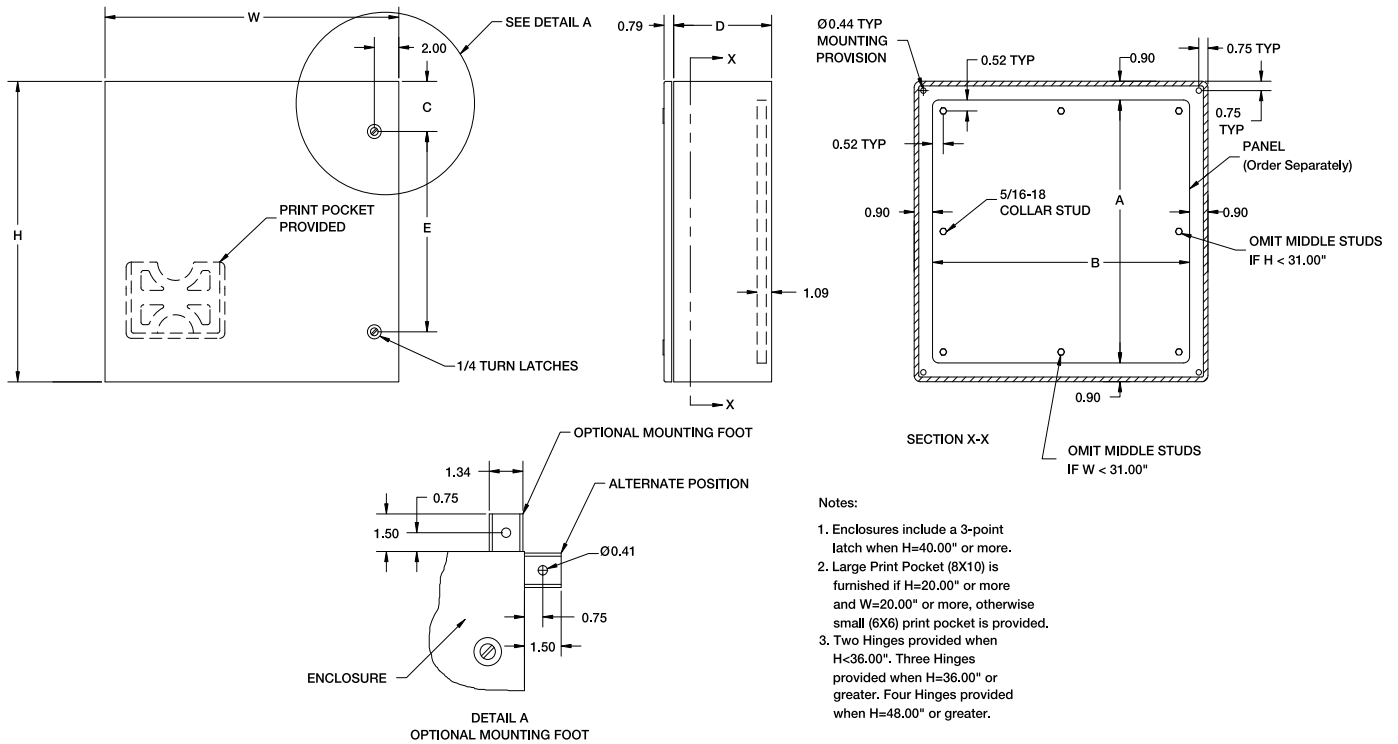
E17

N412SSC ULTIMATE SERIES SINGLE DOOR STAINLESS ENCLOSURES (CONT.)									
CATALOG NUMBER		BODY/DOOR STEEL GAUGE	ENCLOSURE SIZE H X W X D	BACK PANEL CATALOG NUMBER*		DOOR & BOX STIFFENERS	BACK PANEL SIZE A & B	C	E
304 S.S.	316 S.S.			WHITE	316 S.S.				
N412242008SSC	N412242008SSAC	14/14	24.00x20.00x8.00 (610x508x203)	NP2420C	NP2420SSAC	No	22.2x18.2 (564x462)	12.00 (305)	—
N412242408SSC	N412242408SSAC	14/14	24.00x24.00x8.00 (610x610x203)	NP2424C	NP2424SSAC	No	22.2x22.2 (564x564)	4.00 (102)	16.00 (406)
N412302408SSC	N412302408SSAC	14/14	30.00x24.00x8.00 (762x610x203)	NP3024C	NP3024SSAC	No	28.2x22.2 (716x564)	4.00 (102)	22.00 (559)
N412303008SSC	N412303008SSAC	14/14	30.00x30.00x8.00 (762x610x203)	NP3030C	NP3030SSAC	No	28.2x28.2 (716x716)	4.00 (102)	22.00 (559)
N412362408SSC	N412362408SSAC	14/14	36.00x24.00x8.00 (914x610x203)	NP3624C	NP3624SSAC	No	34.2x22.2 (869x564)	4.00 (102)	28.00 (711)
N412363008SSC	N412363008SSAC	14/14	36.00x30.00x8.00 (914x762x203)	NP3630C	NP3630SSAC	No	34.2x28.2 (869x716)	4.00 (102)	28.00 (711)
N412202012SSC	N412202012SSAC	14/14	20.00x20.00x12.00 (508x508x305)	NP2020C	NP2020SSAC	No	18.2x18.2 (462x462)	10.00 (254)	—
N412242412SSC	N412242412SSAC	14/14	24.00x24.00x12.00 (610x610x305)	NP2424C	NP2424SSAC	No	22.2x22.2 (564x564)	4.00 (102)	16.00 (406)
N412302412SSC	N412302412SSAC	14/14	30.00x24.00x12.00 (762x610x305)	NP3024C	NP3024SSAC	No	28.2x22.2 (716x564)	4.00 (102)	22.00 (559)
N412362412SSC	N412362412SSAC	14/14	36.00x24.00x12.00 (914x610x305)	NP3624C	NP3624SSAC	No	34.2x22.2 (869x564)	4.00 (102)	28.00 (711)
N412363012SSC	N412363012SSAC	14/14	36.00x30.00x12.00 (914x762x305)	NP3630C	NP3630SSAC	No	34.2x28.2 (869x716)	4.00 (102)	28.00 (711)
N412363612SSC	N412363612SSAC	14/14	36.00x36.00x12.00 (914x914x305)	NP3636C	NP3636SSAC	No	34.2x34.2 (869x869)	4.00 (102)	28.00 (711)
N412423612SSC	N412423612SSAC	14/14	42.00x36.00x12.00 (1067x914x305)	NP4236C	NP4236SSAC	No	40.2x34.2 (1021x869)	21.00 (533)	—
N412483612SSC	N412483612SSAC	14/14	48.00x36.00x12.00 (1219x914x305)	NP4836C	NP4836SSAC	No	46.2x34.2 (1173x869)	24.00 (610)	—
N412603612SSC**	N412603612SSAC**	14/14	60.00x36.00x12.00 (1524x914x305)	NP6036C	NP6036SSAC	No	58.2x34.2 (1478x869)	30.00 (762)	—

*Back panels must be ordered separately.

**Enclosures are supplied with closed cell neoprene gasket (not foam-in-place).

Reference Price List or consult factory for old N412-SS design.



N412-WSS ULTIMATE SERIES ENCLOSURES NEMA 4X SINGLE DOOR WALL-MOUNT WITH WINDOW



N412202006WSSC

Industry Standards

UL 508, Types 4, 4X, 12 & 13
CSA Certified, Types 4X, 12 & 13
NEMA/EEMAC Type 4, 4X, 12 & 13
JIC EL-1-71

 UL Files E64791

 CSA File LL66078

FEATURES-SPECIFICATIONS

Applications

Hubbell Wiegmann N412WSSC ULTIMATE Stainless Steel Series Enclosures are designed to house and protect electrical and electronic components from harsh, dirty environments. For use in installations where dirt, dust, oil, water, or other contaminants are present. It is typically used in the following areas where corrosion-resistant protection is needed: food processing plants, pharmaceutical manufacturing facilities, petrochemical plants, pulp and paper processing, and waste water treatment facilities. Streamlined styling, flush latching, and attractive Stainless Steel finish complement any high tech electronic equipment.

Construction

- Bodies and doors fabricated from 14 gauge 304 Stainless Steel.
- Continuously Plasma welded seams
- Increased tub opening for better access
- Concealed hinges
- Plexiglass viewing window
- Doors are interchangeable and easily removable
- Ground stud located in door
- 1/4-turn semi-flush oil tight latches are supplied to hold door securely closed
- Print pocket is provided
- Doors are sealed with poured-in-place polyurethane gasket**

- Mounting holes in rear of enclosure
- Studs for mounting **optional** back panel (the Ultimate back panels have increased in size to accommodate larger foot-print installations)

Finish

- All exterior surfaces have a smooth grained finish
- **Optional** back panels are white polyester powder over phosphatized surfaces

Accessories

- Back panels (see reference tables)
- See pages J1-J19. See pages J20-J23 for ULTIMATE Series Accessories
- **Optional** N412MFKSS mounting foot kit must be ordered separately

N412WSSC ULTIMATE SERIES SINGLE DOOR WITH WINDOW STAINLESS ENCLOSURES

CATALOG NUMBER	BODY/DOOR STEEL GAUGE	ENCLOSURE SIZE H X W X D	VIEWABLE WINDOW AREA	BACK PANEL CATALOG NUMBER*	DOOR & BOX STIFFENERS	BACK PANEL SIZE A & B	C	E
N412121206WSSC	14/14	12.00x12.00x6.00 (305x305x152)	7.50 x 6.25 (191 x 159)	NP1212C	No	10.2x10.2 (259x259)	6.00 (152)	—
N412161206WSSC	14/14	16.00x12.00x6.00 (406x305x152)	11.50 x 6.25 (292 x 159)	NP1612C	No	14.2x10.2 (361x259)	8.00 (203)	—
N412201606WSSC	14/14	20.00x16.00x6.00 (508x406x152)	15.50 x 10.25 (394 x 260)	NP2016C	No	18.2x14.2 (462x361)	10.00 (254)	—
N412202006WSSC	14/14	20.00x20.00x6.00 (508x508x152)	15.50 x 14.25 (394 x 362)	NP2020C	No	18.2x18.2 (462x462)	10.00 (254)	—
N412242006WSSC	14/14	24.00x20.00x6.00 (610x508x152)	19.50 x 14.25 (495 x 362)	NP2420C	No	22.2x18.2 (564x462)	12.00 (305)	—
N412242406WSSC	14/14	24.00x24.00x6.00 (610x610x152)	19.50 x 18.25 (495 x 464)	NP2424C	No	22.2x22.2 (564x564)	4.00 (102)	16.00 (406)
N412302406WSSC	14/14	30.00x24.00x6.00 (762x610x152)	25.50 x 18.25 (648 x 464)	NP3024C	No	28.2x22.2 (716x564)	4.00 (102)	22.00 (559)
N412121208WSSC	14/14	12.00x12.00x8.00 (305x305x203)	7.50 x 6.25 (191 x 159)	NP1212C	No	10.2x10.2 (259x259)	6.00 (152)	—
N412161208WSSC	14/14	16.00x12.00x8.00 (406x305x203)	11.50 x 6.25 (292 x 159)	NP1612C	No	14.2x10.2 (361x259)	8.00 (203)	—
N412201608WSSC	14/14	20.00x16.00x8.00 (508x406x203)	15.50 x 10.25 (394 x 260)	NP2016C	No	18.2x14.2 (462x361)	10.00 (254)	—
N412202008WSSC	14/14	20.00x20.00x8.00 (508x508x203)	15.50 x 14.25 (394 x 362)	NP2020C	No	18.2x18.2 (462x462)	10.00 (254)	—
N412242008WSSC	14/14	24.00x20.00x8.00 (610x508x203)	19.50 x 14.25 (495 x 362)	NP2420C	No	22.2x18.2 (564x462)	12.00 (305)	—

Continued on page E19

N412-WSS ULTIMATE SERIES ENCLOSURES NEMA 4X SINGLE DOOR WALL-MOUNT WITH WINDOW

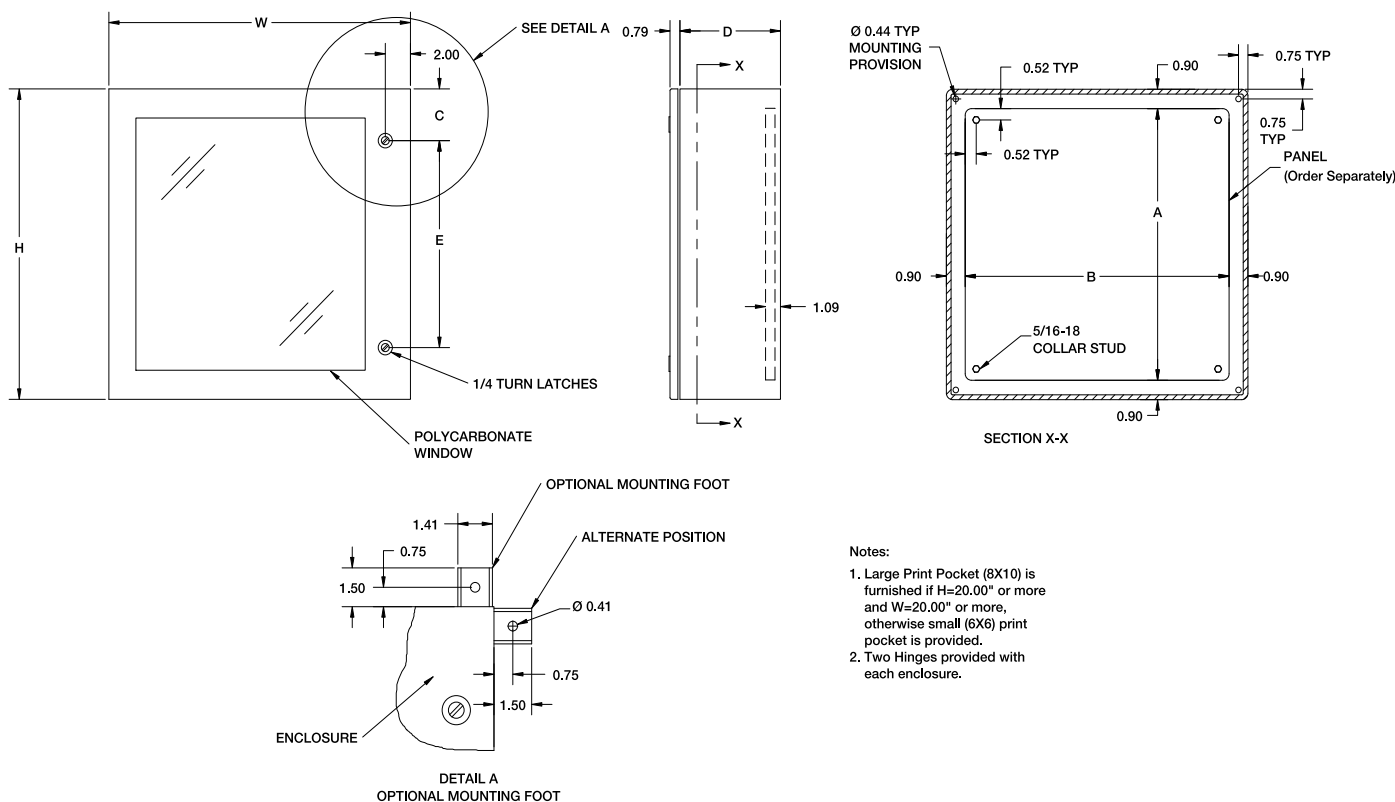
E19

N412WSSC ULTIMATE SERIES SINGLE DOOR WITH WINDOW STAINLESS ENCLOSURES (CONT.)								
CATALOG NUMBER	BODY/DOOR STEEL GAUGE	ENCLOSURE SIZE H X W X D	VIEWABLE WINDOW AREA	BACK PANEL CATALOG NUMBER*	DOOR & BOX STIFFENERS	BACK PANEL SIZE A & B	C	E
N412242408WSSC	14/14	24.00x24.00x8.00 (610x610x203)	19.50 x 18.25 (495 x 464)	NP2424C	No	22.2x22.2 (564x564)	4.00 (102)	16.00 (406)
N412302408WSSC	14/14	30.00x24.00x8.00 (762x610x203)	25.50 x 18.25 (648 x 464)	NP3024C	No	28.2x22.2 (716x564)	4.00 (102)	22.00 (559)
N412202012WSSC	14/14	20.00x20.00x12.00 (508x508x305)	15.50 x 14.25 (394 x 362)	NP2020C	No	18.2x18.2 (462x462)	10.00 (254)	—
N412242012WSSC	14/14	24.00x20.00x12.00 (610x508x305)	19.50 x 14.25 (495 x 362)	NP2420C	No	22.2x18.2 (564x462)	12.00 (305)	—
N412242412WSSC	14/14	24.00x24.00x12.00 (610x610x305)	19.50 x 18.25 (495 x 464)	NP2424C	No	22.2x22.2 (564x564)	4.00 (102)	16.00 (406)
N412302412WSSC	14/14	30.00x24.00x12.00 (762x610x305)	25.50 x 18.25 (648 x 464)	NP3024C	No	28.2x22.2 (716x564)	4.00 (102)	22.00 (559)
N412242416WSSC**	14/14	24.00x24.00x12.00 (610x610x406)	19.50 x 18.25 (495 x 464)	NP2424C	No	22.2x22.2 (564x564)	4.00 (102)	16.00 (406)
N412242420WSSC**	14/14	24.00x24.00x12.00 (610x610x508)	19.50 x 18.25 (495 x 464)	NP2424C	No	22.2x22.2 (564x564)	4.00 (102)	16.00 (406)
N412302420WSSC**	14/14	30.00x24.00x20.00 (762x610x508)	25.50 x 18.25 (648 x 464)	NP3024C	No	28.2x22.2 (716x564)	4.00 (102)	22.00 (559)

*Back panels must be ordered separately.

**Enclosures are supplied with closed cell neoprene gasket (not foam-in-place).

Reference Price List or consult factory for old N412-WSS design.



Notes:

1. Large Print Pocket (8X10) is furnished if H=20.00" or more and W=20.00" or more, otherwise small (6X6) print pocket is provided.
2. Two Hinges provided with each enclosure.

**SSN4 SERIES ENCLOSURES
NEMA 4X SINGLE DOOR WALL-MOUNT**



SSN4161206

Industry Standards

UL 508, Types 4, 4X, 12, & 13
 CSA Certified, Types 4 & 12
 NEMA/EEMAC Type 4, 4X, 12, & 13
 JIC EL-1-71

 UL Files E6924

 CSA File LL66078

FEATURES-SPECIFICATIONS

Applications

Provides unmatched protection for housing electrical components in highly corrosive environments. This enclosure is used in indoor and outdoor settings that are frequently wet or have constant exposure to water, other liquids, or contaminants.

A wide variety of type 316 stainless steel enclosures are available specifically for applications in food processing plants and offshore oil exploration.

Construction

- Bodies and doors fabricated from 14 gauge type 304 or 316 stainless steel. 316 stainless steel has the best corrosion resistance of the standard types of stainless steel available

- Continuously plasma welded seams
- Door and body stiffeners are included in larger enclosures for added rigidity
- A rolled lip around three sides of door and all sides of enclosure opening provided to exclude liquids and contaminants
- Quick and easy to operate stainless steel door clamps are provided
- Doors are sealed with poured-in-place polyurethane gasket
- Hasp and staple is provided for padlocking
- Doors are sealed with poured-in-place polyurethane gasket
- Collar studs for mounting optional back panels

- Print pocket is provided
- External mounting feet are provided for mounting enclosures
- Grounding provisions provided

Finish

- All exterior surfaces of enclosures have a smooth grained finish
- **Optional** back panels are white polyester powder over phosphatized surfaces

Accessories

- Back panels (reference tables)
- See pages J1-J19

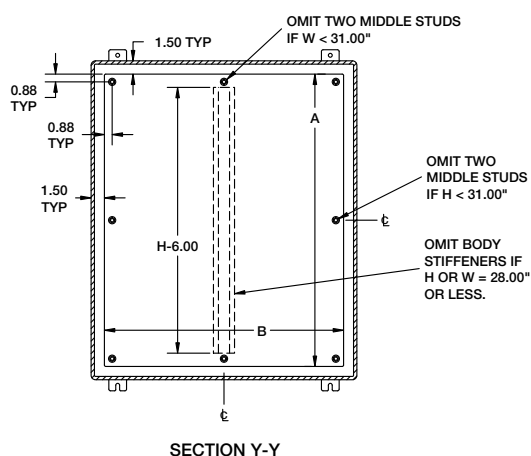
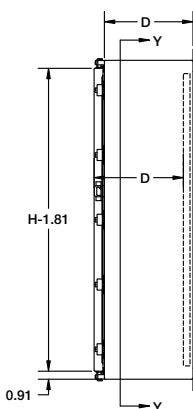
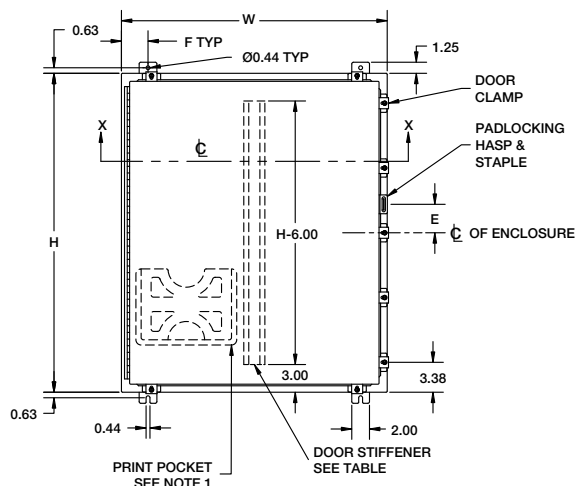
SSN4 SERIES SINGLE DOOR STAINLESS ENCLOSURES								
CATALOG NUMBER		ENCLOSURE SIZE H X W X D	BACK PANEL CATALOG NUMBER*		BACK PANEL SIZE A X B	STIFFENER		E
304 S.S.	316 S.S.		WHITE	304 S.S.		DOOR	BODY	
SSN4161206	SSN4161206A	16.00x12.00x6.00 (406x305x152)	NP1612	NP1612SSA	13.00x9.00 (330x229)	No	No	0
SSN4161606	SSN4161606A	16.00x16.00x6.00 (406x406x152)	NP1616	NP1616SSA	13.00x13.00 (330x330)	No	No	0
SSN4162006	SSN4162006A	16.00x20.00x6.00 (406x508x152)	NP2016	NP2016SSA	13.00x17.00 (330x432)	No	No	0
SSN4201606	SSN4201606A	20.00x16.00x6.00 (508x406x152)	NP2016	NP2016SSA	17.00x13.00 (432x330)	No	No	0
SSN4202006	SSN4202006A	20.00x20.00x6.00 (508x508x152)	NP2020	NP2020SSA	17.00x17.00 (432x432)	No	No	0
SSN4242006	SSN4242006A	24.00x20.00x6.00 (610x508x152)	NP2420	NP2420SSA	21.00x17.00 (533x432)	No	No	4.313 (110)
—	SSN4242406A	24.00x24.00x6.00 (610x610x152)	NP2424	NP2424SSA	21.00x21.00 (533x533)	No	No	4.313 (110)
SSN4161208	SSN4161208A	16.00x12.00x8.00 (406x305x203)	NP1612	NP1612SSA	13.00x9.00 (330x229)	No	No	0
SSN4201608	SSN4201608A	20.00x16.00x8.00 (508x406x203)	NP2016	NP2016SSA	17.00x13.00 (432x330)	No	No	0
—	SSN4202008A	20.00x20.00x8.00 (508x508x203)	NP2020	NP2020SSA	17.00x17.00 (432x432)	No	No	0
SSN4202408	SSN4202408A	20.00x24.00x8.00 (508x610x203)	NP2420	NP2420SSA	17.00x21.00 (432x533)	No	No	0
SSN4241608	SSN4241608A	24.00x16.00x8.00 (610x406x203)	NP2416	NP2416SSA	21.00x13.00 (533x330)	No	No	4.313 (110)
SSN4242008	SSN4242008A	24.00x20.00x8.00 (610x508x203)	NP2420	NP2420SSA	21.00x17.00 (533x432)	No	No	4.313 (110)
SSN4242408	SSN4242408A	24.00x24.00x8.00 (610x610x203)	NP2424	NP2424SSA	21.00x21.00 (533x533)	No	No	4.313 (110)
SSN4243008	SSN4243008A	24.00x30.00x8.00 (610x762x203)	NP3024	NP3024SSA	21.00x27.00 (533x686)	No	No	4.313 (110)
SSN4302008	SSN4302008A	30.00x20.00x8.00 (762x508x203)	NP3020	NP3020SSA	27.00x17.00 (686x432)	No	No	5.813 (148)

Continued on page E21

SSN4 SERIES SINGLE DOOR STAINLESS ENCLOSURES (CONT.)								
CATALOG NUMBER		ENCLOSURE SIZE H X W X D	BACK PANEL CATALOG NUMBER*		BACK PANE SIZE A X B	STIFFENER		E
304 S.S.	316 S.S.		WHITE	304 S.S.		DOOR	BODY	
SSN4302408	SSN4302408A	30.00x24.00x8.00 (762x610x203)	NP3024	NP3024SSA	27.00x21.00 (686x533)	No	No	5.813 (148)
SSN4303008	SSN4303008A	30.00x30.00x8.00 (762x762x203)	NP3030	NP3030SSA	27.00x27.00 (686x686)	No	Yes	5.813 (148)
SSN4362408	SSN4362408A	36.00x24.00x8.00 (914x610x203)	NP3624	NP3624SSA	33.00x21.00 (838x533)	No	No	7.313 (186)
SSN4363008	SSN4363008A	36.00x30.00x8.00 (914x762x203)	NP3630	NP3630SSA	33.00x27.00 (838x686)	No	Yes	7.313 (186)
SSN4423608	SSN4423608A	42.00x36.00x8.00 (1067x914x203)	NP4236	NP4236SSA	39.00x33.00 (991x838)	Yes	Yes	0
SSN4483608	SSN4483608A	48.00x36.00x8.00 (1219x914x203)	NP4836	NP4836SSA	45.00x33.00 (1143x838)	Yes	Yes	0
SSN4201610	SSN4201610A	20.00x16.00x10.00 (508x406x254)	NP2016	NP2016SSA	17.00x13.00 (432x330)	No	No	0
SSN4242010	SSN4242010A	24.00x20.00x10.00 (610x508x254)	NP2420	NP2420SSA	21.00x17.00 (533x432)	No	No	4.313 (110)
SSN4302410	SSN4302410A	30.00x24.00x10.00 (762x610x254)	NP3024	NP3024SSA	27.00x21.00 (686x533)	No	No	5.813 (148)
SSN4362410	SSN4362410A	36.00x24.00x10.00 (914x610x254)	NP3624	NP3624SSA	33.00x21.00 (838x533)	No	No	7.313 (186)
SSN4363010	SSN4363010A	36.00x30.00x10.00 (914x762x254)	NP3630	NP3630SSA	33.00x27.00 (838x686)	No	Yes	7.313 (186)
SSN4423010	SSN4423010A	42.00x30.00x10.00 (1067x762x254)	NP4230	NP4230SSA	39.00x27.00 (991x686)	Yes	Yes	0
SSN4483610	SSN4483610A	48.00x36.00x10.00 (1219x914x254)	NP4836	NP4836SSA	45.00x33.00 (1143x838)	Yes	Yes	0
SSN4242412	SSN4242412A	24.00x24.00x12.00 (610x610x305)	NP2424	NP2424SSA	21.00x21.00 (533x533)	No	No	4.313 (110)
SSN4302412	SSN4302412A	30.00x24.00x12.00 (762x610x305)	NP3024	NP3024SSA	27.00x21.00 (686x533)	No	No	5.813 (148)
SSN4363012	SSN4363012A	36.00x30.00x12.00 (914x762x305)	NP3630	NP3630SSA	33.00x27.00 (838x686)	No	Yes	7.313 (186)
SSN4363612	SSN4363612A	36.00x36.00x12.00 (914x914x305)	NP3636	NP3636SSA	33.00x33.00 (838x838)	Yes	Yes	7.313 (186)
SSN4483612	SSN4483612A	48.00x36.00x12.00 (1219x914x305)	NP4836	NP4836SSA	45.00x33.00 (1143x838)	Yes	Yes	0
SSN4603612**	SSN4603612A	60.00x36.00x12.00 (1524x914x305)	NP6036	NP6036SSA	57.00x33.00 (1448x838)	Yes	Yes	6.656 (169)
SSN4302416	SSN4302416A	30.00x24.00x16.00 (762x610x406)	NP3024	NP3024SSA	27.00x21.00 (686x533)	No	No	5.813 (148)
SSN4363016	SSN4363016A	36.00x30.00x16.00 (914x762x406)	NP3630	NP3630SSA	33.00x27.00 (838x686)	No	Yes	7.313 (186)
SSN4483616	SSN4483616A	48.00x36.00x16.00 (1219x914x406)	NP4836	NP4836SSA	45.00x33.00 (1143x838)	Yes	Yes	0
SSN4603616**	SSN4603616A	60.00x36.00x16.00 (1524x914x406)	NP6036	NP6036SSA	57.00x33.00 (1448x838)	Yes	Yes	6.656 (169)

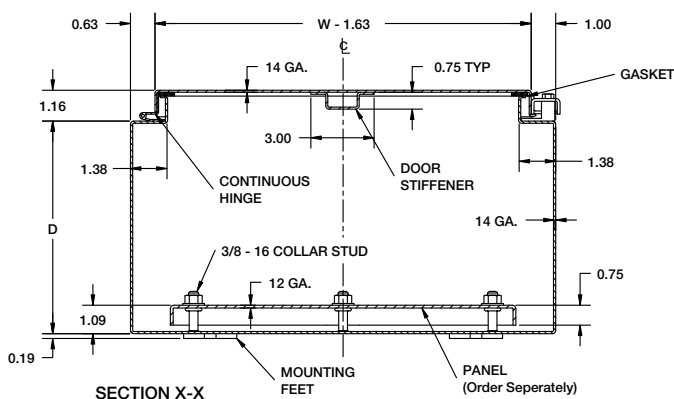
*Back panels must be ordered separately

**Enclosures are supplied with closed cell neoprene gasket (not foam-in-place).



NOTES:

1. Large print pocket (8X10) is furnished if H = 20.00" or more and W = 20.00" or more. Otherwise small (6X6) print pocket is provided.
2. Panels are made from 12 Ga. steel.
3. Panels have flanges along all sides when either dimension exceeds 17".
4. The number of door clamps is dependent on size of enclosure. Clamps are furnished along three sides of door.
5. F = 3" when W is 16" or greater and 1-1/4" when W is 12" or less.



**ALN4 SERIES ENCLOSURES
NEMA 4X SINGLE DOOR WALL-MOUNT**



ALN4161206

Industry Standards

UL 508, Types 4, 4X, 12, & 13
 CSA Certified, Types 4 & 12
 NEMA/EEMAC Types 4, 12, & 13
 JIC EL-1-71

UL File E6924

CSA File LL66078

FEATURES-SPECIFICATIONS

Applications

This lightweight enclosure provides long-lasting protection for housing electrical components in highly corrosive environments. It is used in both indoor and outdoor settings that are frequently wet or have constant exposure to water, other liquids, or contaminants. Suitable for use in petro-chemical plants, sewage plants, marine environments, and similar installations.

Construction

- Bodies and doors fabricated from .080-inch thick (2 millimeters) 5052-H32 aluminum
- Continuously welded seams ground smooth, no holes or knockouts

- Door and body stiffeners are provided in larger enclosures for extra rigidity
- Rolled lip on three sides of door and all sides of enclosure opening is provided to exclude liquids and contaminants
- Quick and easy to operate stainless steel door clamps are provided
- Doors are removable by pulling stainless steel continuous hinge pin
- Hasp and staple for padlocking
- Print pocket is provided
- Closed cell oil resistant neoprene gasket
- Collar studs provided for mounting optional sub panels
- External mounting feet for mounting enclosure

- Grounding provisions provided
- **Optional** back panels must be ordered separately

Finish

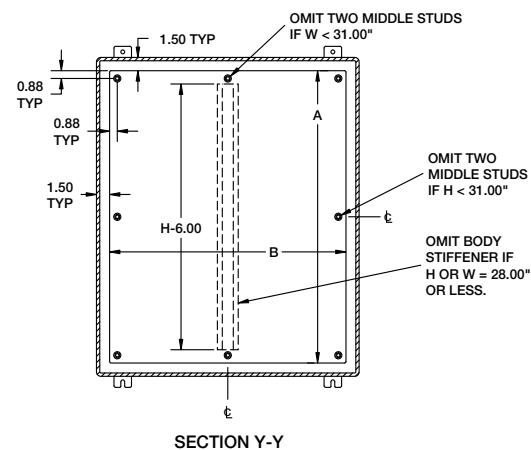
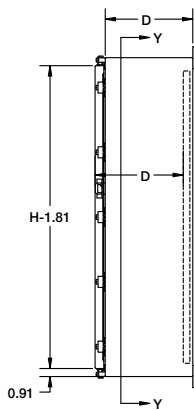
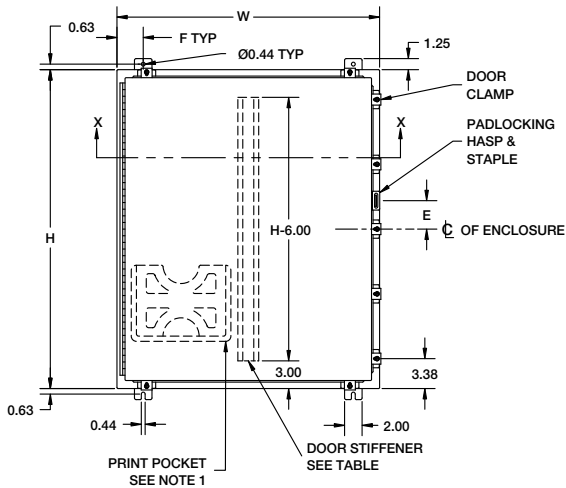
- All exterior surfaces of enclosures have a smooth grained finish
- **Optional** aluminum back panels are unpainted
- **Optional** steel back panels are white polyester powder over phosphatized surfaces

Accessories

- Back panels (reference tables)
- See pages J1-J19

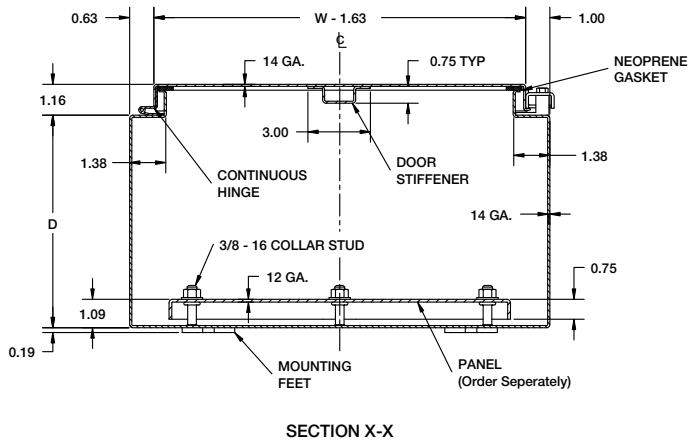
ALN4 SERIES SINGLE DOOR ALUMINUM ENCLOSURES									
CATALOG NUMBER	ENCLOSURE SIZE H X W X D	BACK PANEL CATALOG NUMBER*		BACK PANEL SIZE A X B	F	STIFFENER		E	
		WHITE	ALUM.			DOOR	BODY		
ALN4161206	16.00x12.00x6.00 (406x305x152)	NP1612	ALNP1612	13.00x9.00 (330x229)	1.25 (32)	No	No	0	
ALN4201606	20.00x16.00x6.00 (508x406x152)	NP2016	ALNP2016	17.00x13.00 (432x330)	3.00 (76)	No	No	0	
ALN4202006	20.00x20.00x6.00 (508x508x152)	NP2020	ALNP2020	17.00x17.00 (432x432)	3.00 (76)	No	No	0	
ALN4242006	24.00x20.00x6.00 (610x508x152)	NP2420	ALNP2420	21.00x17.00 (533x432)	3.00 (76)	No	No	4.313 (110)	
ALN4161608	16.00x16.00x8.00 (406x406x203)	NP1616	ALNP1616	13.00x13.00 (330x330)	3.00 (76)	No	No	0	
ALN4242408	24.00x24.00x8.00 (610x610x203)	NP2424	ALNP2424	21.00x21.00 (533x533)	3.00 (76)	No	No	4.313 (110)	
ALN4302408	30.00x24.00x8.00 (762x610x203)	NP3024	ALNP3024	27.00x21.00 (686x533)	3.00 (76)	No	No	5.813 (148)	
ALN4362408	36.00x24.00x8.00 (914x610x203)	NP3624	ALNP3624	33.00x21.00 (838x533)	3.00 (76)	No	No	7.313 (186)	
ALN4363008	36.00x30.00x8.00 (914x762x203)	NP3630	ALNP3630	33.00x27.00 (838x686)	3.00 (76)	No	Yes	7.313 (186)	
ALN4483608	48.00x36.00x8.00 (1219x914x203)	NP4836	ALNP4836	45.00x33.00 (1143x838)	3.00 (76)	Yes	Yes	0	
ALN4201610	20.00x16.00x10.00 (508x406x254)	NP2016	ALNP2016	17.00x13.00 (432x330)	3.00 (76)	No	No	0	
ALN4242010	24.00x20.00x10.00 (610x508x254)	NP2420	ALNP2420	21.00x17.00 (533x432)	3.00 (76)	No	No	4.313 (110)	
ALN4242410	24.00x24.00x10.00 (610x610x254)	NP2424	ALNP2424	21.00x21.00 (533x533)	3.00 (76)	No	No	4.313 (110)	
ALN4302412	30.00x24.00x12.00 (762x610x305)	NP3024	ALNP3024	27.00x21.00 (686x533)	3.00 (76)	No	No	5.813 (148)	
ALN4363012	36.00x30.00x12.00 (914x762x305)	NP3630	ALNP3630	33.00x27.00 (838x686)	3.00 (76)	No	Yes	7.313 (186)	
ALN4603612	60.00x36.00x12.00 (1524x914x305)	NP6036	ALNP6036	57.00x33.00 (1448x838)	3.00 (76)	Yes	Yes	6.656 (169)	

*Back panels must be ordered separately.



NOTES:

1. Large print pocket (8X10) is furnished if H = 20.00" or more and W = 20.00" or more. Otherwise small (6X6) print pocket is provided.
2. Panels made from 12 Ga. steel or 10 Ga. Aluminum.
3. Panels have flanges along all sides when either dimension exceeds 17".
4. The number of door clamps is dependent on size of enclosure. Clamps are furnished along three sides of door.
5. F = 3" when W is 16" or greater and 1-1/4" when W is 12" or less.



**SSN4D SERIES ENCLOSURES
NEMA 4X TWO DOOR FLOOR-MOUNT**



SSN4D624812

Industry Standards

UL 508, Types 4, 4X, & 12
CSA Certified, Type 4, & 12
NEMA/EEMAC Types 4, 4X, & 12

 UL File E64791

 CSA File LL66078

FEATURES-SPECIFICATIONS

Applications

This two door enclosure provides industry leading protection for systems incorporating large components or complex mounting configurations in highly corrosive environments. It is typically used in the following areas: food processing plants, pharmaceutical manufacturing facilities, petrochemical plants, pulp and paper processing, and waste water treatment facilities.

Construction

- Bodies and doors fabricated from 12 gauge 304 stainless steel
- Continuously welded seams ground smooth, less knockouts or holes
- X-type body stiffeners are added for extra strength

- Rolled lip around three sides of door and along top of enclosures opening excludes liquids and contaminants from entering
- Quick and easy to operate stainless steel door clamps around three sides of doors are provided
- Heavy gauge stainless steel continuous hinges are provided
- Doors are removable by pulling stainless steel continuous hinge pin
- Hasp and staple are provided for padlocking
- Print pocket is provided
- Standard 12" high floor kits are welded to bottom of enclosure
- Heavy duty removable lifting eyes

- Collar studs for mounting optional panels
- Easily removable center post permits easy panel installations
- Doors are sealed with closed cell oil resistant neoprene gasket
- Grounding provisions provided

Finish

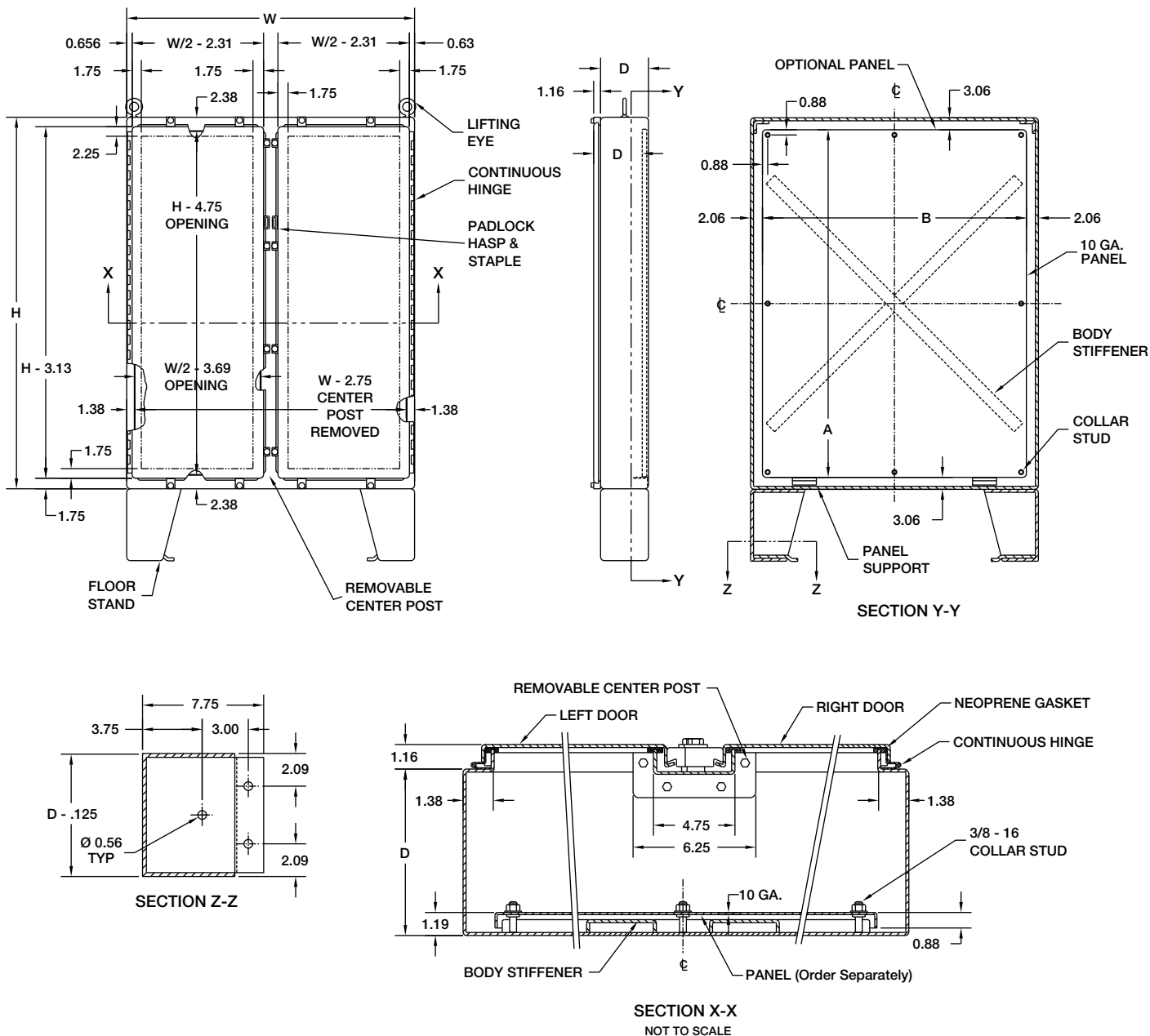
- Enclosures have a smooth grained finish on all exterior surfaces
- **Optional** back panels are white polyester powder over phosphatized surfaces

Accessories

- Back panels (reference tables)
- See pages J1-J19

SSN4D SERIES TWO DOOR STAINLESS ENCLOSURES				
CATALOG NUMBER	BODY/DOOR STEEL GAUGE	ENCLOSURE SIZE H X W X D	BACK PANEL CATALOG NUMBER*	BACK PANEL SIZE A X B
SSN4D624812	12/12	62.12x48.12x12.12 (1578x1222x308)	NPDD6048	56.00x44.00 (1422x1118)
SSN4D626012	12/12	62.12x60.12x12.12 (1578x1527x308)	NPDD6060	56.00x56.00 (1422x1422)
SSN4D747212	12/12	74.12x72.12x12.12 (1883x1832x308)	NPDD7272	68.00x68.00 (1727x1727)
SSN4D747224	12/12	74.12x72.12x24.12 (1883x1832x613)	NPDD7272	68.00x68.00 (1727x1727)

*Back panels must be ordered separately.




**N4S-FSSS & N4S-FSSSA SERIES ENCLOSURES
NEMA 4X SINGLE DOOR FREESTANDING**



Industry Standards

UL 508, Types 3, 4, 4X & 12
CSA Certified, Type 3, 4, & 12
NEMA/EEMAC Types 3, 4, 4X & 12

 UL File E64791

 CSA File LL66078

FEATURES-SPECIFICATIONS

Applications

Designed to house electrical and electronic controls, terminals, and instruments in areas that are regularly hosed down or are otherwise very wet. Also suitable for outdoor applications.

Construction

- Bodies and doors fabricated from 12 gauge 304 and 316 stainless steel
- Continuously welded seams ground smooth, less knockouts or holes
- “Uni-strut” mounting channels are welded horizontally to interior body sides, top, bottom and center
- **Optional** swing, half, full and rack panels can be mounted anywhere along “uni-strut” channel

- Rolled lip around three sides of door and along top of enclosures opening excludes liquids and contaminants from entering
- Quick and easy to operate stainless steel door clamps around three sides of doors
- Heavy gauge continuous hinge with stainless steel hinge pin
- Doors are removable by pulling stainless steel continuous hinge pin
- Hasp and staple are provided for padlocking
- Print pocket is provided
- Heavy duty removable lifting eyes

- Doors are sealed with closed cell neoprene gasket
- Grounding provisions provided

Finish

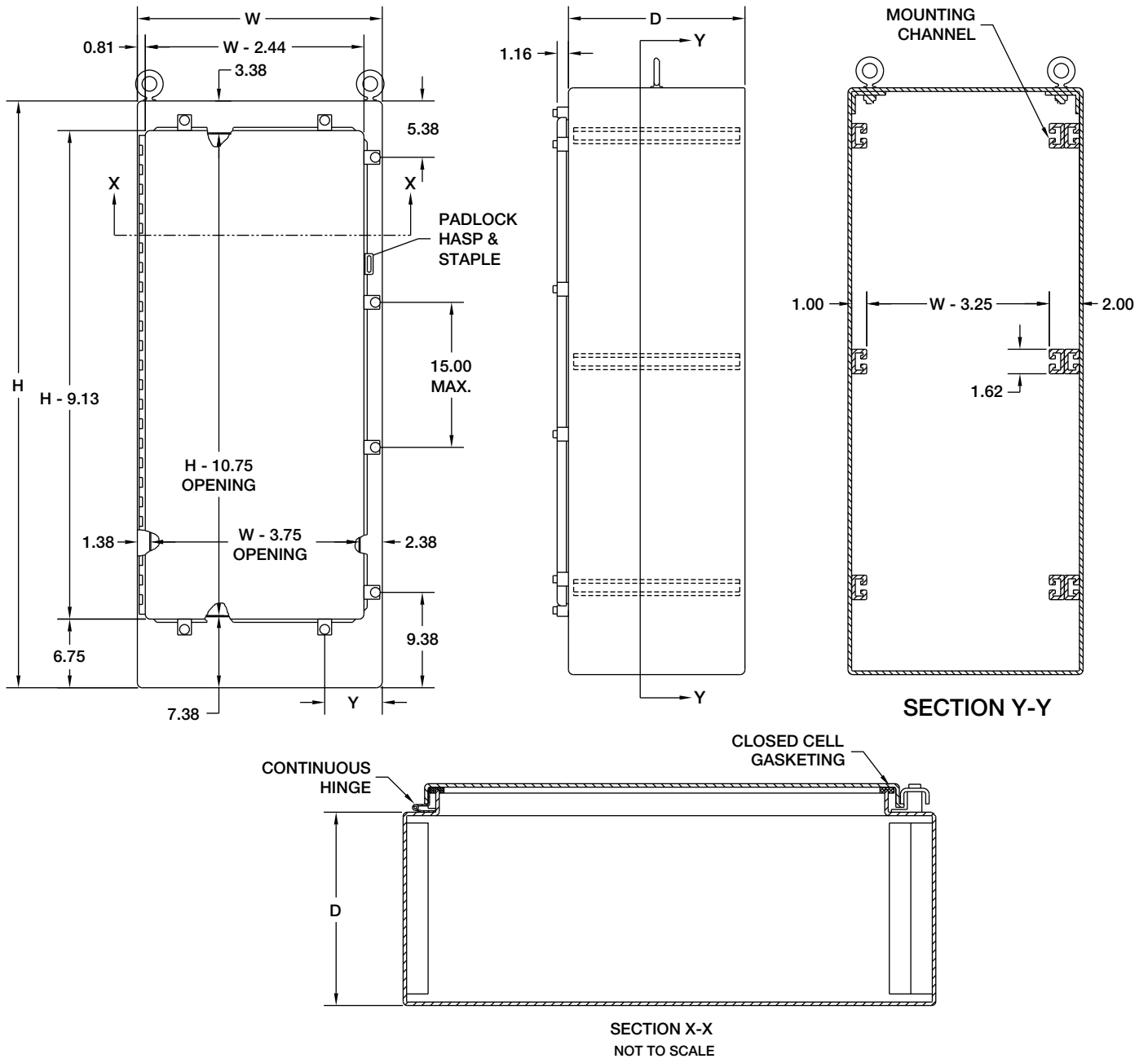
- Standard grain finish
- **Optional** back panels are white polyester powder over phosphatized surfaces

Accessories

- Back panels (reference tables)
- See pages J1-J19

N4S-FSSS SERIES SINGLE DOOR ENCLOSURES					
CATALOG NUMBER		BODY/DOOR STEEL GAUGE	ENCLOSURE SIZE H X W X D	Y	BACK PANELS*
304 S.S.	316 S.S.				
N4S722518FSSS	N4S722518FSSSA	12/12	72.12x25.12x18.12 (1832x638x460)	6.38 (162)	See pages C29-C31 and J6-J12 for various panel styles
N4S723124FSSS	N4S723124FSSSA	12/12	72.12x31.12x24.12 (1832x790x613)	8.38 (213)	
N4S723724FSSS	N4S723724FSSSA	12/12	72.12x37.12x24.12 (1832x943x613)	10.38 (264)	

*Back panels must be ordered separately.



WA-FSSS & WA-FSDSS SERIES ENCLOSURES NEMA 12 STAINLESS FREESTANDING



WA604818FSDSS

Industry Standards

UL 508, Type 12
CSA Certified, Type 12
NEMA/EEMAC Type 12



UL Files E64791



CSA File LL66078

FEATURES-SPECIFICATIONS

Applications

Designed to protect electrical and electronic controls, components, and instruments in typical industrial environments. Enclosures protect enclosure equipment from dust, dirt, oil, and dripping water. These enclosures are used in machine tool applications for housing motor starters, drives, contactors, PLC's, as well as a wide variety of other electrical and electronic equipment. The addition of 19-inch rack mounting accessories make these enclosures ideal for providing rugged protection for sensitive rack mounted components in harsh industrial environments. The enclosures are found extensively in automotive, pulp and paper, wood products, textile, and similar industries.

Two styles are available to provide maximum flexibility:

- a) Single Door Single Access
(single door on front)
- b) Two Door Single Access
(two door on front)

Construction

- Fabricated from 12 or 10 gauge steel 304 stainless steel
- Continuously welded seams ground smooth, less holes or knockouts
- Body stiffeners for added rigidity
- Heavy duty lifting eyes for easy handling
- Heavy gauge continuous hinges support each door
- 3 point latching mechanism with an oil-tight key locking handle is provided
- Print pocket is provided
- "Uni-strut" mounting channels are welded horizontally to interior body sides and top, bottom and center to allow optional back panels to be positioned in enclosure. Optional swing, half, full and rack panels can be mounted anywhere along unistrut channel
- Doors are sealed with closed cell neoprene gasket
- Stiffeners are welded to back of two door enclosures to maintain flatness and increase rigidity
- Grounding provisions provided

Finish

- Enclosures are unpainted. All external surfaces have smooth brushed finish
- **Optional** back panels are white polyester powder over phosphatized surfaces

Accessories

- Sub panels (see pages C29-C31, I6-I12)
- Accessories (see pages J1-J19)

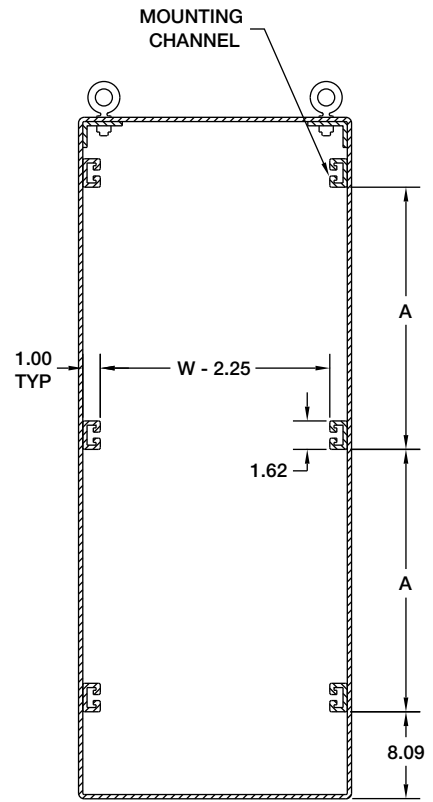
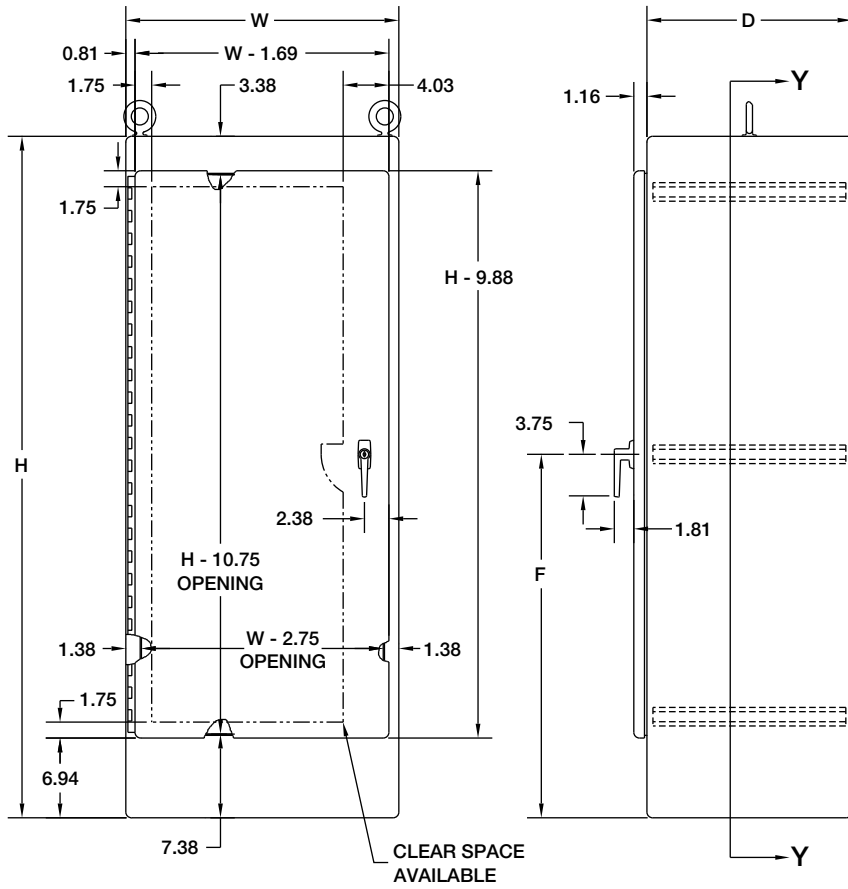
WA-FSSS SERIES SINGLE DOOR FREESTANDING ENCLOSURES

CATALOG NUMBER	BODY/DOOR STEEL GAUGE	ENCLOSURE SIZE H X W X D	A	F
WA602418FSSS	12/12	60.12x24.12x18.12 (1527x613x460)	23.13 (587)	32.06 (814)
WA722418FSSS	12/12	72.12x24.12x18.12 (1832x613x460)	29.13 (740)	38.06 (967)
WA723018FSSS	12/12	72.12x30.12x18.12 (1832x765x460)	29.13 (740)	38.06 (967)
WA723618FSSS	12/12	72.12x36.12x18.12 (1832x917x460)	29.13 (740)	38.06 (967)
WA902420FSSS	12/12	90.12x24.12x20.12 (2289x613x511)	38.13 (968)	47.06 (1195)
WA903620FSSS	12/12	90.12x36.12x20.12 (2289x917x511)	38.13 (968)	47.06 (1195)
WA603624FSSS	12/12	60.12x36.12x24.12 (1527x917x613)	23.13 (587)	32.06 (814)
WA722424FSSS	12/12	72.12x24.12x24.12 (1832x613x613)	29.13 (740)	38.06 (967)
WA723024FSSS	12/12	72.12x30.12x24.12 (1832x765x613)	29.13 (740)	38.06 (967)
WA723624FSSS	12/12	72.12x36.12x24.12 (1832x917x613)	29.13 (740)	38.06 (967)
WA903624FSSS	12/12	90.12x36.12x24.12 (2289x917x613)	38.13 (968)	47.06 (1195)
WA723630FSSS	12/12	72.12x36.12x30.12 (1832x917x765)	29.13 (740)	38.06 (967)
WA723636FSSS	12/12	72.12x36.12x36.12 (1832x917x917)	29.13 (740)	38.06 (967)
WA903636FSSS	12/12	90.12x36.12x36.12 (2289x917x917)	38.13 (968)	47.06 (1195)

WA-FSDSS SERIES TWO DOOR FREESTANDING ENCLOSURES

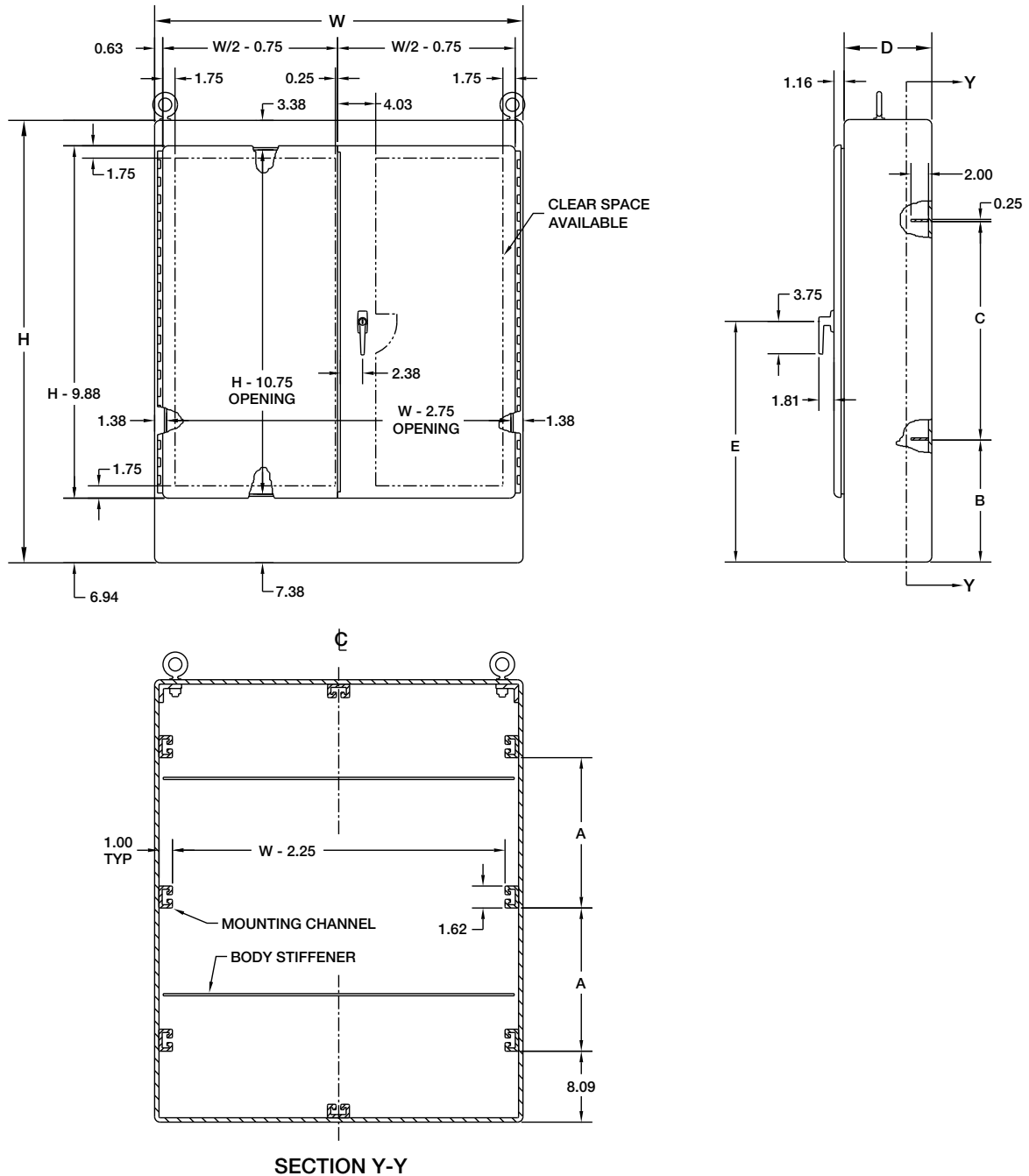
CATALOG NUMBER	BODY/DOOR STEEL GAUGE	ENCLOSURE SIZE H X W X D	A	B	C	E
WA604818FSDSS	10/10	60.12x48.12x18.12 (1527x1222x460)	23.13 (587)	19.88 (505)	20.03 (509)	32.06 (814)
WA724818FSDSS	10/10	72.12x48.12x18.12 (1832x1222x460)	29.13 (740)	23.88 (607)	24.03 (610)	38.06 (967)
WA726018FSDSS	10/10	72.12x60.12x18.12 (1832x1527x460)	29.13 (740)	23.88 (607)	24.03 (610)	38.06 (967)
WA727218FSDSS	10/10	72.12x72.12x18.12 (1832x1832x460)	29.13 (740)	23.88 (607)	24.03 (610)	38.06 (967)
WA904820FSDSS	10/10	90.12x48.12x20.12 (2289x1222x511)	38.13 (968)	29.88 (759)	30.03 (763)	47.06 (1195)
WA907220FSDSS	10/10	90.12x72.12x20.12 (2289x1832x511)	38.13 (968)	29.88 (759)	30.03 (763)	47.06 (1195)
WA724824FSDSS	10/10	72.12x48.12x24.12 (1832x1222x613)	29.13 (740)	23.88 (607)	24.03 (610)	38.06 (967)
WA726024FSDSS	10/10	72.12x60.12x24.12 (1832x1527x613)	29.13 (740)	23.88 (607)	24.03 (610)	38.06 (967)
WA727224FSDSS	10/10	72.12x72.12x24.12 (1832x1832x613)	29.13 (740)	23.88 (607)	24.03 (610)	38.06 (967)
WA907224FSDSS	10/10	90.12x72.12x24.12 (2289x1832x613)	38.13 (968)	29.88 (759)	30.03 (763)	47.06 (1195)
WA726036FSDSS	10/10	72.12x60.12x36.12 (1832x1527x917)	29.13 (740)	23.88 (607)	24.03 (610)	38.06 (967)
WA907236FSDSS	10/10	90.12x72.12x36.12 (2289x1832x917)	38.13 (968)	29.88 (759)	30.03 (763)	47.06 (1195)

WA-FSSS



SECTION Y-Y

WA-FSDSS



**PREMIUM SERIES NON-METALLIC ENCLOSURES
OPAQUE, HINGED COVER WITH TWO COVER SCREWS**



HW-141206CHSC

Industry Standards

- UL/cUL 50/508, Types 1, 3, 3S, 12, 13, 4x
- CSA Standard C22.2 Types 1, 3, 3S, 12, 13, 4x
- NEMA Standard 250 Types 1, 3, 3S, 12, 13, 4x
- IEC 60529 IP66
- UL94 V-0, 5V flammability rating
- Non-flame propagating
- Flame Spread classification per NFPA No. 101, Class A (1)
- Temperature Range: -40°F to 250°F (-40°C to 120°C)

 UL File E64791

 CSA File 222873

FEATURES-SPECIFICATIONS

Construction

- Fiberglass construction
- Poured polyurethane seamless gasket provides watertight, dust-tight environmental seal
- Excellent chemical and corrosion resistance
- Rounded edges, minimal protrusions or exposed pocket area for accumulation of dust or debris
- 300 Series stainless steel used on all external hardware

- **Optional** mounting foot kit available
- Opaque, hinged cover with two screws.
- Raised bosses with brass inserts accepting 10-32 screws for optional panel mounting
- Impact resistance and physical strength greater than that of ABS and PVC
- Full 180° door opening
- Color: Gray

Accessories

- See pages E59-E61

OPAQUE COVER, HINGED WITH TWO COVER SCREWS PREMIER SERIES NON-METALLIC ENCLOSURES							
PART NUMBER	ENCLOSURE OVERALL SIZE HxWxD	ENCLOSURE INSIDE AxBxC	WT.	CARBON STEEL SUBPANEL*	FIBERGLASS SUBPANEL*	STAINLESS STEEL SUBPANEL*	ALUMINUM SUBPANEL*
HW-60604CHSC	7.41 x 7.79 x 4.31 (188.3 x 197.9 x 109.5)	6.77 x 6.77 x 4.06 (171.9 x 171.9 x 103.2)	2.5 lbs	HW-MP606CS	HW-MP606FG	HW-MP606SS	HW-MP606A
HW-80604CHSC	9.41 x 7.79 x 4.31 (239.1x197.9x109.5)	8.77 x 6.77 x 4.06 (222.7 x 171.9 x 103.2)	3.0 lbs	HW-MP806CS	HW-MP806FG	HW-MP806SS	HW-MP806A
HW-80804CHSC	9.39 x 9.76 x 4.31 (238.5 x 248.0 x 109.5)	8.74 x 8.74 x 4.06 (222.1 x 222.1 x 103.2)	3.5 lbs	HW-MP808CS	HW-MP808FG	HW-MP808SS	HW-MP808A
HW-100806CHSC	11.42 x 9.79 x 6.31 (290.1 x 248.6 x 160.3)	10.73 x 8.73 x 6.06 (272.5 x 221.7 x 153.9)	4.5 lbs	HW-MP1008CS	HW-MP1008FG	HW-MP1008SS	HW-MP1008A
HW-121006CHSC	13.45 x 11.83 x 6.31 (341.6 x 300.5 x 160.3)	12.69 x 10.69 x 6.06 (322.3 x 271.5 x 153.9)	6.0 lbs	HW-MP1210CS	HW-MP1210FG	HW-MP1210SS	HW-MP1210A
HW-141206CHSC	15.49 x 13.86 x 6.31 (393.4 x 352.0 x 160.3)	14.72 x 12.72 x 6.06 (373.9 x 323.1 x 153.9)	8.0 lbs	HW-MP1412CS	HW-MP1412FG	HW-MP1412SS	HW-MP1412A
HW-141208CHSC	15.49 x 13.86 x 8.34 (393.4 x 352.0 x 211.8)	14.66 x 12.66 x 8.06 (372.4 x 321.6 x 204.7)	9.5 lbs	HW-MP1412CS	HW-MP1412FG	HW-MP1412SS	HW-MP1412A
HW-161408CHSC	17.58 x 15.96 x 8.34 (446.6 x 405.4 x 211.8)	16.69 x 14.69 x 8.06 (424.0 x 373.1 x 204.7)	11.5 lbs	HW-MP1614CS	HW-MP1614FG	HW-MP1614SS	HW-MP1614A
HW-181610CHSC	19.77 x 18.15 x 10.34 (502.2 x 461.0 x 262.6)	18.63 x 16.63 x 10.06 (473.2 x 422.4 x 255.5)	16.0 lbs	HW-MP1816CS	HW-MP1816FG	HW-MP1816SS	HW-MP1816A
HW-201610CHSC	21.79 x 18.16 x 10.34 (553.5 x 461.2 x 262.6)	20.63 x 16.63 x 10.06 (524.0 x 422.4 x 255.5)	17.5 lbs	HW-MP2016CS	HW-MP2016FG	HW-MP2016SS	HW-MP2016A

Dimensions in inches (millimeters). (See dimensional drawings on page E36 of this section.)

*Note: Subpanels must be ordered separately. See pages E56-E58 for more information.

**PREMIUM SERIES NON-METALLIC ENCLOSURES
OPAQUE, HINGED COVER WITH TWO PULL LATCHES**

E33



HW-141208CHQR

Industry Standards

- UL/cUL 50/508, Types 1, 3, 3S, 12, 13, 4x
- CSA Standard C22.2 Types 1, 3, 3S, 12, 13, 4x
- NEMA Standard 250 Types 1, 3, 3S, 12, 13, 4x
- IEC 60529 IP66
- UL94 V-0, 5V flammability rating
- Non-flame propagating
- Flame Spread classification per NFPA No. 101, Class A (1)
- Temperature Range: -40°F to 250°F (-40°C to 120°C)



UL File E64791



CSA File 222873

FEATURES-SPECIFICATIONS

Construction

- Fiberglass construction
- Impact resistance and physical strength greater than that of ABS and PVC
- Poured polyurethane seamless gasket provides watertight, dust-tight environmental seal
- Opaque hinged cover with two pull latches
- Padlock latch for quick entry

- Integral hasp provides secure loop for padlock (padlock not included)
- Full 180° door opening
- UV resistant
- Excellent chemical and corrosion resistance
- Rounded edges, minimal protrusions or exposed pocket area for accumulation of dust or debris
- 300 Series stainless steel used on all external hardware

- **Optional** mounting foot kit available
- Raised bosses with brass inserts accepting 10-32 screws for optional panel mounting
- Color: Gray

Accessories

- See pages E59-E61

OPAQUE, HINGED COVER WITH TWO PULL LATCHES PREMIER SERIES NON-METALLIC ENCLOSURES							
PART NUMBER	ENCLOSURE OVERALL SIZE HxWxD	ENCLOSURE INSIDE AxBxC	WT.	CARBON STEEL SUBPANEL*	FIBERGLASS SUBPANEL*	STAINLESS STEEL SUBPANEL*	ALUMINUM SUBPANEL*
HW-60604CHQR	7.41 x 7.79 x 4.31 (188.3 x 197.9 x 109.5)	6.77 x 6.77 x 4.06 (171.9 x 171.9 x 103.2)	2.5 lbs	HW-MP606CS	HW-MP606FG	HW-MP606SS	HW-MP606A
HW-80604CHQR	9.41 x 7.79 x 4.31 (239.1x197.9x109.5)	8.77 x 6.77 x 4.06 (222.7 x 171.9 x 103.2)	3.0 lbs	HW-MP806CS	HW-MP806FG	HW-MP806SS	HW-MP806A
HW-80804CHQR	9.39 x 9.76 x 4.31 (238.5 x 248.0 x 109.5)	8.74 x 8.74 x 4.06 (222.1 x 222.1 x 103.2)	3.5 lbs	HW-MP808CS	HW-MP808FG	HW-MP808SS	HW-MP808A
HW-100806CHQR	11.42 x 9.79 x 6.31 (290.1 x 248.6 x 160.3)	10.73 x 8.73 x 6.06 (272.5 x 221.7 x 153.9)	4.5 lbs	HW-MP1008CS	HW-MP1008FG	HW-MP1008SS	HW-MP1008A
HW-121006CHQR	13.45 x 11.83 x 6.31 (341.6 x 300.5 x 160.3)	12.69 x 10.69 x 6.06 (322.3 x 271.5 x 153.9)	6.0 lbs	HW-MP1210CS	HW-MP1210FG	HW-MP1210SS	HW-MP1210A
HW-141206CHQR	15.49 x 13.86 x 6.31 (393.4 x 352.0 x 160.3)	14.72 x 12.72 x 6.06 (373.9 x 323.1 x 153.9)	8.0 lbs	HW-MP1412CS	HW-MP1412FG	HW-MP1412SS	HW-MP1412A
HW-141208CHQR	15.49 x 13.86 x 8.34 (393.4 x 352.0 x 211.8)	14.66 x 12.66 x 8.06 (372.4 x 321.6 x 204.7)	9.5 lbs	HW-MP1412CS	HW-MP1412FG	HW-MP1412SS	HW-MP1412A
HW-161408CHQR	17.58 x 15.96 x 8.34 (446.6 x 405.4 x 211.8)	16.69 x 14.69 x 8.06 (424.0 x 373.1 x 204.7)	11.5 lbs	HW-MP1614CS	HW-MP1614FG	HW-MP1614SS	HW-MP1614A
HW-181610CHQR	19.77 x 18.15 x 10.34 (502.2 x 461.0 x 262.6)	18.63 x 16.63 x 10.06 (473.2 x 422.4 x 255.5)	16.0 lbs	HW-MP1816CS	HW-MP1816FG	HW-MP1816SS	HW-MP1816A
HW-201610CHQR	21.79 x 18.16 x 10.34 (553.5 x 461.2 x 262.6)	20.63 x 16.63 x 10.06 (524.0 x 422.4 x 255.5)	17.5 lbs	HW-MP2016CS	HW-MP2016FG	HW-MP2016SS	HW-MP2016A

Dimensions in inches (millimeters). (See dimensional drawings on page E36 of this section.)

*Note: Subpanels must be ordered separately. See pages E56-E58 for more information.

**PREMIUM SERIES NON-METALLIC ENCLOSURES
CLEAR, HINGED COVER WITH TWO PULL LATCHES**



HW-CC141206CHQR

Industry Standards

- UL/cUL 50/508, Types 1, 3, 3S, 12, 13, 4x
- CSA Standard C22.2 Types 1, 3, 3S, 12, 13, 4x
- NEMA Standard 250 Types 1, 3, 3S, 12, 13, 4x
- IEC 60529 IP66
- UL94 V-0, 5V flammability rating
- Window flammability rating: UL94V-2, HB
- Non-flame propagating
- Flame Spread classification per NFPA No. 101, Class A (1)
- Temperature Range: -40°F to 250°F (-40°C to 120°C)

UL File E64791

CSA File 222873

FEATURES-SPECIFICATIONS

Construction

- Fiberglass construction
- Poured polyurethane seamless gasket provides watertight, dust-tight environmental seal
- Clear hinged cover with two pull latches
- UV resistant
- Clear cover rated UL94 V-2, HB.
- Excellent chemical and corrosion resistance

- Rounded edges, minimal protrusions or exposed pocket areas for accumulation of dust or debris
- 300 Series stainless steel used on all external hardware
- **Optional** mounting foot kit available
- Raised bosses with brass inserts accepting 10-32 screws for optional panel mounting
- Impact resistance and physical strength greater than that of ABS and PVC

- Full 180° door opening
- Integral hasp provides secure loop for padlock (padlock not included)
- Color: Gray

Accessories

- See pages E59-E61

CLEAR COVER, HINGED WITH TWO PULL LATCHES PREMIER SERIES NON-METALLIC ENCLOSURES							
PART NUMBER	ENCLOSURE OVERALL SIZE HxWxD	ENCLOSURE INSIDE AxBxC	WT.	CARBON STEEL SUBPANEL*	FIBERGLASS SUBPANEL*	STAINLESS STEEL SUBPANEL*	ALUMINUM SUBPANEL*
HW-CC60604CHQR	7.41 x 7.79 x 4.31 (188.3 x 197.9 x 109.5)	6.77 x 6.77 x 4.06 (171.9 x 171.9 x 103.2)	2.5 lbs	HW-MP606CS	HW-MP606FG	HW-MP606SS	HW-MP606A
HW-CC80604CHQR	9.41 x 7.79 x 4.31 (239.1x197.9x109.5)	8.77 x 6.77 x 4.06 (222.7 x 171.9 x 103.2)	3.0 lbs	HW-MP806CS	HW-MP806FG	HW-MP806SS	HW-MP806A
HW-CC80804CHQR	9.39 x 9.76 x 4.31 (238.5 x 248.0 x 109.5)	8.74 x 8.74 x 4.06 (222.1 x 222.1 x 103.2)	3.5 lbs	HW-MP808CS	HW-MP808FG	HW-MP808SS	HW-MP808A
HW-CC100806CHQR	11.42 x 9.79 x 6.31 (290.1 x 248.6 x 160.3)	10.73 x 8.73 x 6.06 (272.5 x 221.7 x 153.9)	4.5 lbs	HW-MP1008CS	HW-MP1008FG	HW-MP1008SS	HW-MP1008A
HW-CC121006CHQR	13.45 x 11.83 x 6.31 (341.6 x 300.5 x 160.3)	12.69 x 10.69 x 6.06 (322.3 x 271.5 x 153.9)	6.0 lbs	HW-MP1210CS	HW-MP1210FG	HW-MP1210SS	HW-MP1210A
HW-CC141206CHQR	15.49 x 13.86 x 6.31 (393.4 x 352.0 x 160.3)	14.72 x 12.72 x 6.06 (373.9 x 323.1 x 153.9)	8.0 lbs	HW-MP1412CS	HW-MP1412FG	HW-MP1412SS	HW-MP1412A
HW-CC141208CHQR	15.49 x 13.86 x 8.34 (393.4 x 352.0 x 211.8)	14.66 x 12.66 x 8.06 (372.4 x 321.6 x 204.7)	9.5 lbs	HW-MP1412CS	HW-MP1412FG	HW-MP1412SS	HW-MP1412A
HW-CC161408CHQR	17.58 x 15.96 x 8.34 (446.6 x 405.4 x 211.8)	16.69 x 14.69 x 8.06 (424.0 x 373.1 x 204.7)	11.5 lbs	HW-MP1614CS	HW-MP1614FG	HW-MP1614SS	HW-MP1614A

Dimensions in inches (millimeters). (See dimensional drawings on page E36 of this section.)

*Note: Subpanels must be ordered separately. See pages E56-E58 for more information.

**PREMIUM SERIES NON-METALLIC ENCLOSURES
CLEAR, HINGED COVER WITH LINK LOCK LATCHES**

E35



HW-CC141206CHTL

Industry Standards

- UL/cUL 50/508, Types 1, 3, 3S, 12, 13, 4x
- CSA Standard C22.2 Types 1, 3, 3S, 12, 13, 4x
- NEMA Standard 250 Types 1, 3, 3S, 12, 13, 4x
- IEC 60529 IP66
- UL94 V-0, 5V flammability rating
- Window flammability: UL94V-2, HB
- Non-flame propagating
- Flame Spread classification per NFPA No. 101, Class A (1)
- Temperature Range: -40°F to 250°F (-40°C to 120°C)



UL File E64791



CSA File 222873

FEATURES-SPECIFICATIONS

Construction

- Fiberglass construction
- Poured polyurethane seamless gasket provides watertight, dust-tight environmental seal
- Clear hinged cover with two link-lock latches
- UV resistant
- Clear cover rated UL94 V-2, HB.
- Excellent chemical and corrosion resistance

- Rounded edges, minimal protrusions or exposed pocket areas for accumulation of dust or debris
- 300 Series stainless steel used on all external hardware
- **Optional** mounting foot kit available
- Raised bosses with brass inserts accepting 10-32 screws for optional panel mounting
- Impact resistance and physical strength greater than that of ABS and PVC

- Full 180° door opening
- Link lock latch for quick entry
- Latch lies flat on side of enclosure
- Color: Gray

Accessories

- See pages E59-E61

CLEAR, HINGED COVER WITH LINK LOCK LATCHES PREMIER SERIES NON-METALLIC ENCLOSURES							
PART NUMBER	ENCLOSURE OVERALL SIZE HxWxD	ENCLOSURE INSIDE AxBxC	WT.	CARBON STEEL SUBPANEL*	FIBERGLASS SUBPANEL*	STAINLESS STEEL SUBPANEL*	ALUMINUM SUBPANEL*
HW-CC60604CHTL	7.41 x 7.79 x 4.31 (188.3 x 197.9 x 109.5)	6.77 x 6.77 x 4.06 (171.9 x 171.9 x 103.2)	2.5 lbs	HW-MP606CS	HW-MP606FG	HW-MP606SS	HW-MP606A
HW-CC80604CHTL	9.41 x 7.79 x 4.31 (239.1x197.9x109.5)	8.77 x 6.77 x 4.06 (222.7 x 171.9 x 103.2)	3.0 lbs	HW-MP806CS	HW-MP806FG	HW-MP806SS	HW-MP806A
HW-CC80804CHTL	9.39 x 9.76 x 4.31 (238.5 x 248.0 x 109.5)	8.74 x 8.74 x 4.06 (222.1 x 222.1 x 103.2)	3.5 lbs	HW-MP808CS	HW-MP808FG	HW-MP808SS	HW-MP808A
HW-CC100806CHTL	11.42 x 9.79 x 6.31 (290.1 x 248.6 x 160.3)	10.73 x 8.73 x 6.06 (272.5 x 221.7 x 153.9)	4.5 lbs	HW-MP1008CS	HW-MP1008FG	HW-MP1008SS	HW-MP1008A
HW-CC121006CHTL	13.45 x 11.83 x 6.31 (341.6 x 300.5 x 160.3)	12.69 x 10.69 x 6.06 (322.3 x 271.5 x 153.9)	6.0 lbs	HW-MP1210CS	HW-MP1210FG	HW-MP1210SS	HW-MP1210A
HW-CC141206CHTL	15.49 x 13.86 x 6.31 (393.4 x 352.0 x 160.3)	14.72 x 12.72 x 6.06 (373.9 x 323.1 x 153.9)	8.0 lbs	HW-MP1412CS	HW-MP1412FG	HW-MP1412SS	HW-MP1412A
HW-CC141208CHTL	15.49 x 13.86 x 8.34 (393.4 x 352.0 x 211.8)	14.66 x 12.66 x 8.06 (372.4 x 321.6 x 204.7)	9.5 lbs	HW-MP1412CS	HW-MP1412FG	HW-MP1412SS	HW-MP1412A
HW-CC161408CHTL	17.58 x 15.96 x 8.34 (446.6 x 405.4 x 211.8)	16.69 x 14.69 x 8.06 (424.0 x 373.1 x 204.7)	11.5 lbs	HW-MP1614CS	HW-MP1614FG	HW-MP1614SS	HW-MP1614A

Dimensions in inches (millimeters). (See dimensional drawings on page E36 of this section.)

*Note: Subpanels must be ordered separately. See pages E56-E58 for more information.

**PREMIUM SERIES NON-METALLIC ENCLOSURES
DIMENSIONS FOR PREMIER SERIES ENCLOSURES**

CLEAR, HINGED COVER WITH LINK LOCK LATCHES PREMIER SERIES NON-METALLIC ENCLOSURES											
PREMIER BASE* PART NUMBER	ENCLOSURE OVERALL SIZE HxWxD	ENCLOSURE INSIDE AxBxC	MOUNTING PxR	K	L	S	T	OPTIONAL MOUNTING FEET EXF	N	J	M
HW-*60604*	7.41 X 7.79 X 4.31 (188.3 X 197.9 X 109.5)	6.77 X 6.77 X 4.06 (171.9 X 171.9 X 103.2)	5.93 X 4.00 (150.6 X 101.6)	4.25 (108)	4.25 (108)	3.60 (91.5)	.38 (9.6)	8.24 X 4.00 (209.2 X 101.6)	9.02 (229.0)	4.56 (115.8)	.25 (6.35)
HW-*80604*	9.41 X 7.79 X 4.31 (239.1 X 197.9 X 109.5)	8.77 X 6.77 X 4.06 (222.7 X 171.9 X 103.2)	7.91 X 4.00 (200.9 X 101.6)	6.25 (159)	4.25 (108)	3.60 (91.5)	.38 (9.6)	10.21 X 4.00 (259.3 X 101.6)	10.98 (279.0)	4.56 (115.8)	.25 (6.35)
HW-*80804*	9.39 X 9.76 X 4.31 (238.5 X 248.0 X 109.5)	8.74 X 8.74 X 4.06 (222.1 X 222.1 X 103.2)	7.91 X 6.00 (200.9 X 152.4)	6.25 (159)	6.25 (159)	3.60 (91.5)	.38 (9.6)	10.21 X 6.00 (259.3 X 152.4)	10.98 (279.0)	4.56 (115.8)	.25 (6.35)
HW-*100806*	11.42 X 9.79 X 6.31 (290.1 X 248.6 X 160.3)	10.73 X 8.73 X 6.06 (272.5 X 221.7 X 153.9)	9.89 X 6.00 (251.2 X 152.4)	8.25 (210)	6.25 (159)	5.60 (142.3)	.38 (9.6)	12.19 X 6.00 (309.6 X 152.4)	12.96 (329.3)	6.56 (166.6)	.25 (6.35)
HW-*121006*	13.45 X 11.83 X 6.31 (341.6 X 300.5 X 160.3)	12.69 X 10.69 X 6.06 (322.3 X 271.5 X 153.9)	11.88 X 8.00 (301.7 X 203.2)	10.25 (260)	8.25 (210)	5.60 (142.3)	.38 (9.6)	14.18 X 8.00 (360.2 X 203.2)	14.95 (379.7)	6.56 (166.6)	.25 (6.35)
HW-*141206*	15.49 X 13.86 X 6.31 (393.4 X 352.0 X 160.3)	14.72 X 12.72 X 6.06 (373.9 X 323.1 X 153.9)	13.91 X 10.00 (353.3 X 254.0)	12.25 (311)	10.25 (260)	5.60 (142.3)	.38 (9.6)	16.21 X 10.00 (411.7 X 254.0)	16.98 (431.4)	6.59 (167.4)	.25 (6.35)
HW-*141208*	15.49 X 13.86 X 8.34 (393.4 X 352.0 X 211.8)	14.66 X 12.66 X 8.06 (372.4 X 321.6 X 204.7)	13.88 X 10.00 (352.5 X 254.0)	12.25 (311)	10.25 (260)	7.60 (193.2)	.38 (9.6)	16.19 X 10.00 (411.2 X 254.0)	16.96 (430.9)	8.59 (218.2)	.25 (6.35)
HW-*161408*	17.58 X 15.96 X 8.34 (446.6 X 405.4 X 211.8)	16.69 X 14.69 X 8.06 (424.0 X 373.1 X 204.7)	15.96 X 12.00 (405.4 X 304.8)	14.25 (362)	12.25 (311)	7.60 (193.2)	.38 (9.6)	18.26 X 12.00 (464.0 X 304.8)	19.04 (483.5)	8.59 (218.2)	.25 (6.35)
HW-*181610*	19.77 X 18.15 X 10.34 (502.2 X 461.0 X 262.6)	18.63 X 16.63 X 10.06 (473.2 X 422.4 X 255.5)	17.94 X 14.00 (455.6 X 355.6)	16.25 (413)	14.25 (362)	9.60 (243.9)	.38 (9.6)	20.24 X 14.00 (514.3 X 355.6)	21.02 (533.8)	10.59 (268.9)	.25 (6.35)
HW-*201610*	21.79 X 18.16 X 10.34 (553.5 X 461.2 X 262.6)	20.63 X 16.63 X 10.06 (524.0 X 422.4 X 255.5)	19.96 X 14.00 (506.9 X 355.6)	18.25 (463)	14.25 (362)	9.59 (243.7)	.38 (9.6)	22.26 X 14.00 (565.6 X 355.6)	23.04 (585.1)	10.59 (268.9)	.25 (6.35)

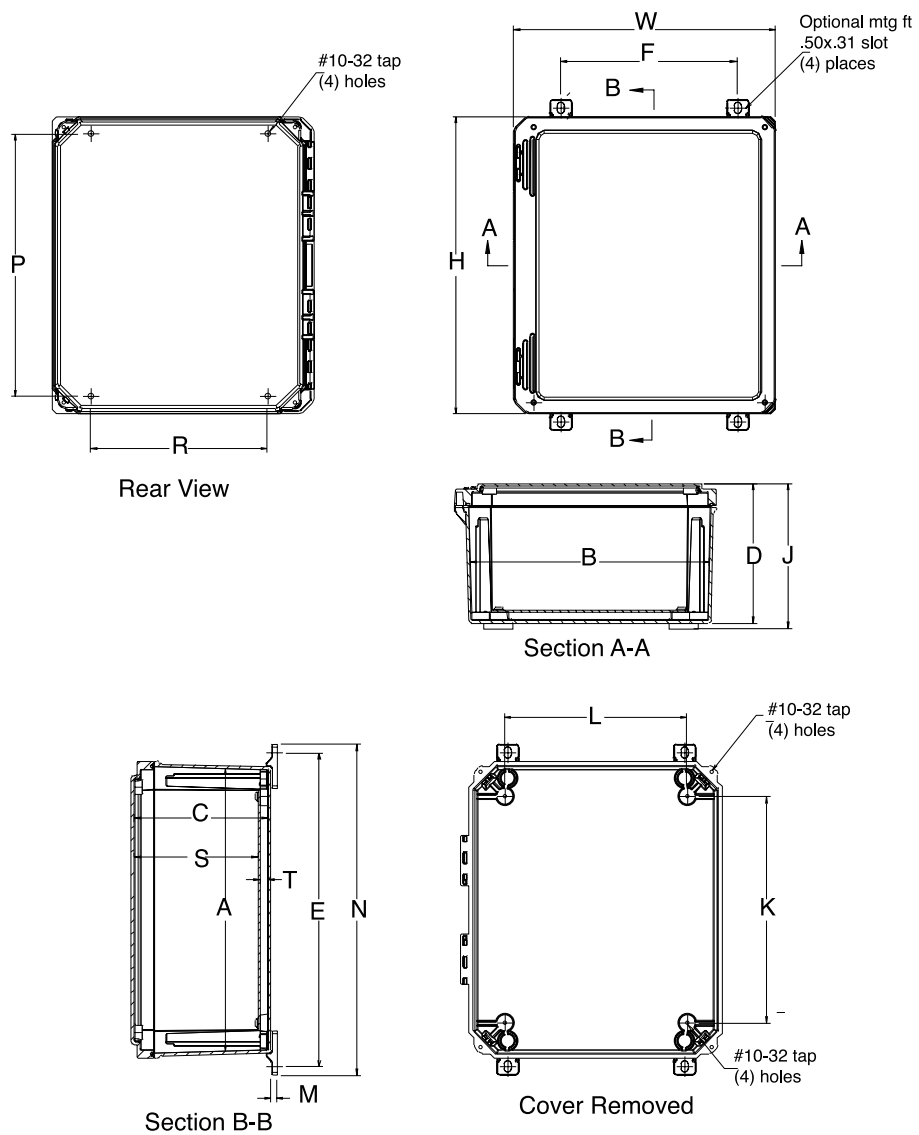
Dimensions in inches (millimeters). Letters in table correspond to letters on dimensional drawings.

Note: Base Part Number denotes enclosure size only. Defining alphabetical characters are represented by an asterisk(for example: HW-*60604* denotes dimensions for HW-60604CHSC, HW-60604CHQR, HW-CC60604CHQR, or HW-CC60604CHTL. Do not use Base Part Numbers to order enclosures. Use only complete part numbers when ordering.

For Optional Mounting Foot Kit for Slim Line Series see page E59. (Ref: HW-N4XMGFTKIT)

**PREMIUM SERIES NON-METALLIC ENCLOSURES
DIMENSIONS FOR PREMIER SERIES ENCLOSURES**

E37



**SLIM LINE SERIES NON-METALLIC ENCLOSURES
JUNCTION BOX WITH LIFT-OFF OPAQUE COVER**



HW-N4X1144

Industry Standards

- UL/cUL 50/508, Types 1, 3, 4X, 6P, 12
- CSA Standard C22.2 Types 1, 3, 4X, 6P, 12
- NEMA Standard 250 Types 1, 3, 4x, 6P, 12
- Temperature Range: -40°F to 250°F (-40°C to 120°C)
- Flammability Rating: UL94-5V
- Non-flame propagating



UL File E64791



CSA File 222873

FEATURES-SPECIFICATIONS

Construction

- Hot compression molded fiberglass reinforced thermoset polyester
- Poured polyurethane seamless gasket provides watertight dust-tight environmental seal
- NEMA 4X rating
- Workable material cuts, drills, punches and saws with ease and accuracy
- Four recessed captive stainless steel screws
- **Optional** mounting foot kit available

- 300 Series stainless steel used on all external hardware
- Raised bosses with brass inserts accepting 10-32 screws for optional panel mounting
- Rounded edges, minimal protrusions or exposed pocket areas for accumulation of dust or debris
- Non-corrosive in chemical exposure
- Rated watertight and submersible for long periods
- High impact resistance

- Non-conductive double insulated material
- Lift-off cover with four cover screws
- Smooth surface, no color variations, swirls or color pockets, no voids
- Color: Gray

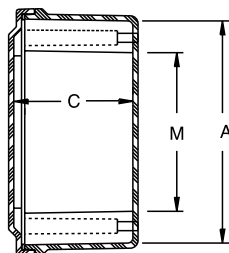
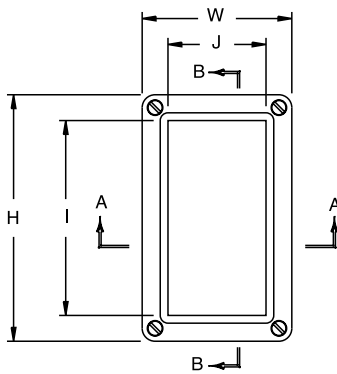
Accessories

- For Optional Mounting Foot Kit for Slim Line Series see page E59 (Ref: HW-N4XMGFTKIT)
- See pages E59-E61

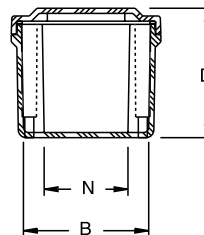
CLEAR, HINGED COVER WITH LINK LOCK LATCHES PREMIER SERIES NON-METALLIC ENCLOSURES

PART NUMBER	ENCLOSURE OVERALL SIZE HxWxD	ENCLOSURE INSIDE AxBxC	I	J	K	L	M	N	WT.
HW-N4X332	3.72x3.63 x 2.95 (95 x 92 x 75)	3.13 x 3.03 x 2.70 (79 x 77 x 69)	3.22 (82)	2.12 (54)	2.31 (59)	2.75 (70)	1.59 (40)	2.03 (52)	1 lb.
HW-N4X532	5.97 x 3.63 x 3.14 (152 x 92 x 80)	5.38 x 3.03 x 2.87 (137 x 77 x 73)	4.72 (120)	2.38 (60)	4.56 (116)	2.75 (70)	3.84 (98)	2.03 (52)	1 lb.
HW-N4X644	6.63 x 3.81 x 3.89 (168 x 97 x 99)	6.00 x 3.19 x 3.63 (153 x 81 x 92)	5.31 (135)	2.50 (64)	4.88 (124)	2.94 (75)	4.13 (105)	2.19 (56)	2 lbs.
HW-N4X832	8.41 x 3.63 x 3.14 (214 x 92 x 80)	7.82 x 3.03 x 2.87 (199 x 77 x 73)	7.16 (182)	2.38 (60)	7.00 (178)	2.75 (70)	6.28 (160)	2.03 (52)	2 lbs.
HW-N4X844	8.88 x 3.81 x 3.89 (225 x 97 x 99)	8.26 x 3.19 x 3.63 (210 x 81 x 92)	7.56 (192)	2.50 (64)	7.13 (181)	2.94 (75)	6.38 (162)	2.19 (56)	2 lbs.
HW-N4X932	9.35 x 3.63 x 3.14 (237 x 92 x 80)	8.75 x 3.03 x 2.87 (222 x 77 x 73)	8.10 (206)	2.38 (60)	7.94 (202)	2.75 (70)	7.22 (183)	2.03 (52)	2 lbs.
HW-N4X1144	11.13 x 3.81 x 3.89 (283 x 97 x 99)	10.51 x 3.19 x 3.63 (267 x 81 x 92)	9.81 (249)	2.50 (64)	9.37 (238)	2.94 (75)	8.63 (219)	2.19 (56)	2 lbs.
HW-N4X1432	13.78 x 3.63 x 3.14 (350 x 92 x 80)	13.19 x 3.03 x 2.87 (335 x 77 x 73)	12.53 (318)	2.38 (60)	12.37 (314)	2.75 (70)	11.66 (296)	2.03 (52)	2 lbs.
HW-N4X1732	17.35 x 3.63 x 3.14 (441 x 92 x 80)	16.75 x 3.03 x 2.87 (426 x 77 x 73)	16.10 (409)	2.50 (64)	15.94 (405)	2.75 (70)	15.22 (387)	2.03 (52)	3 lbs.

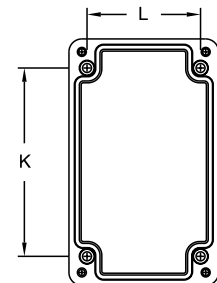
Note: No Subpanel required. Dimensions in inches (millimeters); letters in table correspond to letters on dimensional drawings.



Section B-B



Section A-A



FRONT VIEW WITHOUT COVER

**SLIM LINE SERIES NON-METALLIC ENCLOSURES
JUNCTION BOX WITH LIFT-OFF OPAQUE COVER**

E39



HW-N4X763SC

Industry Standards

- UL/cUL 50/508, Types 1, 3, 4X, 6P, 12
- CSA Standard C22.2 Types 1, 3, 4x, 6P, 12
- NEMA Standard 250 Types 1, 3, 4x, 6P, 12
- Temperature Range: -40°F to 250°F (-40°C to 120°C)
- Flammability Rating: UL94-5V
- Non-flame propagating

UL File E64791

CSA File 222873

FEATURES-SPECIFICATIONS

Construction

- Hot compression molded fiberglass reinforced thermoset polyester
- Poured polyurethane seamless gasket provides watertight dust-tight environmental seal
- NEMA 4X rating
- Workable material cuts, drills, punches and saws with ease and accuracy
- Four recessed captive stainless steel screws
- 300 Series stainless steel used on all external hardware

- **Optional** mounting foot kit available
- Raised bosses with brass inserts accepting 10-32 screws for optional panel mounting
- Rounded edges, minimal protrusions or exposed pocket areas for accumulation of dust or debris
- Non-corrosive in chemical exposure
- Rated watertight and submersible for long periods
- High impact resistance
- Non-conductive double insulated material

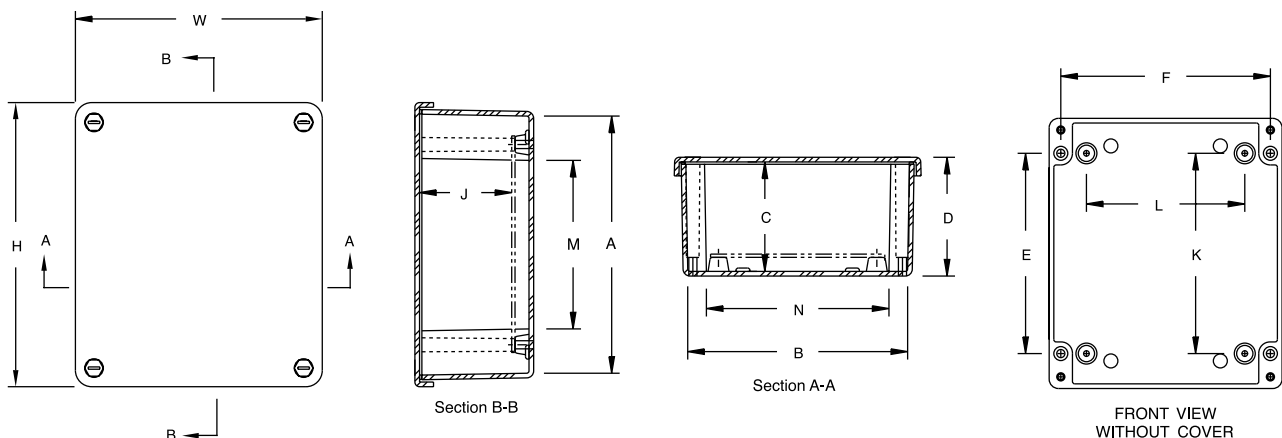
- Lift-off cover with four cover screws
- Smooth surface, no color variations, swirls or color pockets, no voids
- **Optional** carbon steel back panel available
- Color: Gray

Accessories

- For Optional Mounting Foot Kit for Slim Line Series see page E59 (Ref: HW-N4XMGFTKIT)
- See pages E59-E61

CLEAR, HINGED COVER WITH LINK LOCK LATCHES PREMIER SERIES NON-METALLIC ENCLOSURES										
PART NUMBER	ENCLOSURE OVERALL SIZE HxWxD	ENCLOSURE INSIDE AxBxC	WT.	CARBON STEEL SUBPANEL	MOUNTING ExF	J	K	L	M	N
HW-N4X763SC	7.63 x 6.63 x 3.19 (194 x 168 x 81)	6.90 x 5.90 x 2.88 (175 x 150 x 73)	3 lbs.	HW-MP706CS	5.37 x 5.63 (137 x 143)	2.48 (63)	5.37 (137)	4.25 (108)	4.52 (115)	4.9 (124)
HW-N4X963SC	9.87 x 6.63 x 3.19 (251 x 168 x 81)	9.15 x 5.90 x 2.88 (232 x 150 x 73)	3 lbs.	HW-MP906CS	7.62 x 5.63 (194 x 143)	2.48 (63)	7.62 (194)	4.25 (108)	6.77 (172)	4.9 (124)

Note: Subpanels must be ordered separately. Dimensions in inches (millimeters); letters in table correspond to letters on dimensional drawings.



**PUSHBUTTON IN-LINE SERIES NON-METALLIC ENCLOSURES
30MM PUSHBUTTON IN-LINE WITH LIFT-OFF COVER**



HW-N4X1PB

Industry Standards

- UL/cUL 50/508, Types 1, 3, 4X, 6P, 12
- CSA Standard C22.2 Types 1, 3, 4x, 6P, 12
- NEMA Standard 250 Types 1, 3, 4x, 6P, 12
- Temperature Range: -40°F to 250°F (-40°C to 120°C)
- Flammability Rating: UL94-5V
- Non-flame propagating



UL File E64791



CSA File 222873

FEATURES-SPECIFICATIONS

Construction

- Hot compression molded fiberglass reinforced thermoset polyester
- Poured polyurethane seamless gasket provides watertight, dust-tight environmental seal
- Recessed captive stainless steel screws
- 300 Series stainless steel used on all external hardware

- Workable material cuts, drills, punches and saws with ease and accuracy
- **Optional** mounting foot kit available
- Rounded edges, minimal protrusions or exposed pocket area for accumulation of dust or debris
- Metal grounding strap
- Submersible, non-corrosive environmental design
- Lift off cover with four cover screws

- Non-conductive, impact resistant, 7 UV resistant
- Smooth surface, no color variations, swirls or color pockets, no voids
- Color: Gray

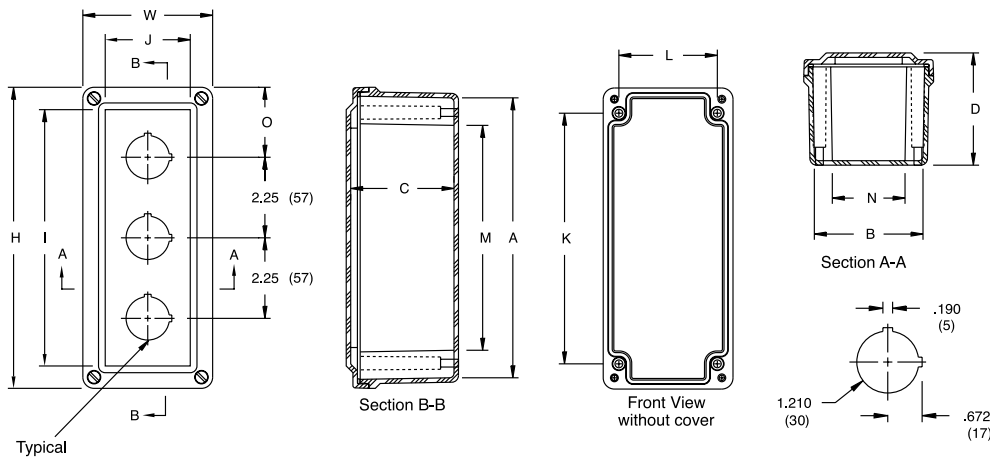
Accessories

- For Optional Mounting Foot Kit for Slim Line Series see page E59 (Ref: HW-N4XMGFTKIT)
- See pages E59-E61

30MM PUSHBUTTON IN-LINE SERIES WITH LIFT-OFF COVER

PART NUMBER	PB CUTOUTS	ENCLOSURE OVERALL SIZE HxWxD	ENCLOSURE INSIDE DIMENSIONS AxBxC	I	J	K	L	M	N	O	WT.
HW-N4X1PB	1	6.63 x 3.81 x 3.89 (168 x 97 x 99)	6.00x3.19x 3.63 (153x81x92)	5.31 (135)	2.5 (64)	4.88 (124)	2.94 (75)	4.13 (105)	2.19 (56)	3.31 (84)	2 lbs.
HW-N4X2PB	2	6.63 x 3.81 x 3.89 (168 x 97 x 99)	6.00x3.19x3.63 (153x81x92)	5.31 (135)	2.5 (64)	4.88 (124)	2.94 (75)	4.13 (105)	2.19 (56)	2.19 (56)	2 lbs.
HW-N4X3PB	3	8.88 x 3.81 x 3.89 (225 x 97 x 99)	8.26x3.19x3.63 (210x81x92)	7.56 (192)	2.5 (64)	7.13 (181)	2.94 (75)	6.38 (162)	2.19 (56)	2.19 (56)	2 lbs.
HW-N4X4PB	4	11.13 x 3.81 x 3.89 (283 x 97 x 99)	10.51x3.19x3.63(267x81x92)	9.81 (249)	2.5 (64)	9.37 (238)	2.94 (75)	8.63 (219)	2.19 (56)	2.19 (56)	2 lbs.
HW-N4X5PB	5	13.78 x 3.63 x 3.14 (350 x 92 x 80)	13.19x3.03x2.87(335x77x73)	12.53 (318)	2.38(60)	12.37 (314)	2.75 (70)	11.66 (296)	2.03 (52)	2.39 (61)	2 lbs.
HW-N4X6PB	6	17.35 x 3.63 x 3.14 (441 x 92 x 80)	16.75x3.03x2.87(426x77x73)	16.1 (409)	2.38(60)	15.94 (405)	2.75 (70)	15.22 (387)	2.03 (52)	3.05 (77)	3 lbs.
HW-N4X7PB	7	17.35 x 3.63 x 3.14 (441 x 92 x 80)	16.75x3.03x2.87(426x77x73)	16.1 (409)	2.38(60)	15.94 (405)	2.75 (70)	15.22 (387)	2.03 (52)	1.92 (49)	3 lbs.

Note: Dimensions in inches (millimeters); letters in table correspond to letters on dimensional drawings.



PUSHBUTTON IN-LINE SERIES NON-METALLIC ENCLOSURES
22MM PUSHBUTTON IN-LINE WITH LIFT-OFF COVER

E41



HW-N4X4PB-SS

Industry Standards

- UL/cUL 50/508, Types 1, 3, 4X, 6P, 12
- CSA Standard C22.2 Types 1, 3, 4x, 6P, 12
- NEMA Standard 250 Types 1, 3, 4x, 6P, 12
- Temperature Range: -40°F to 250°F (-40°C to 120°C)
- Flammability Rating: UL94-5V
- Non-flame propagating



FEATURES-SPECIFICATIONS

Construction

- Hot compression molded fiberglass reinforced thermoset polyester
- Poured polyurethane seamless gasket provides watertight, dust-tight environmental seal
- Recessed captive stainless steel screws
- 300 Series stainless steel used on all external hardware

- Workable material cuts, drills, punches and saws with ease and accuracy
- **Optional** mounting foot kit available
- Rounded edges, minimal protrusions or exposed pocket area for accumulation of dust or debris
- Metal grounding strap
- Submersible, non-corrosive environmental design
- Lift off cover with four cover screws

- Non-conductive, impact resistant, UV resistant
- Smooth surface, no color variations, swirls or color pockets, no voids
- Color: Gray

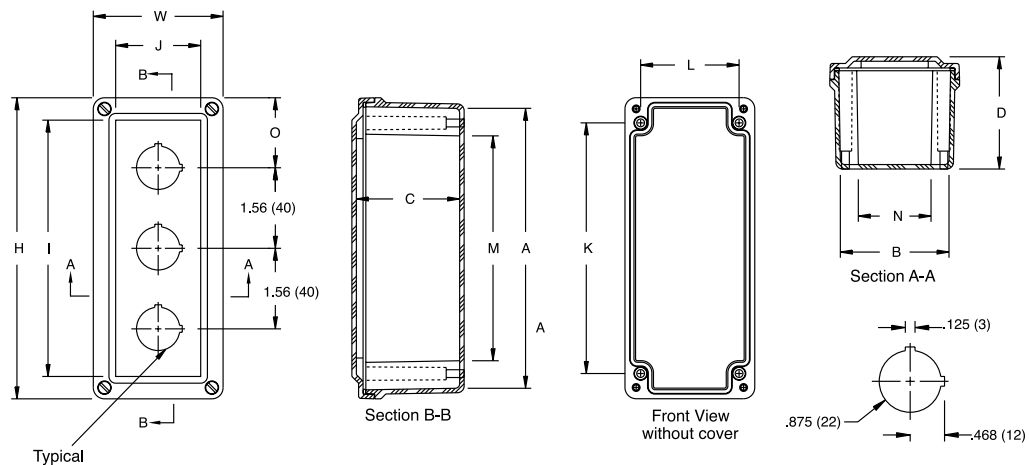
Accessories

- For Optional Mounting Foot Kit for Slim Line Series see page E59 (Ref: HW-N4XMGFTKIT)
- See pages E59-E61

22MM PUSHBUTTON IN-LINE SERIES WITH LIFT-OFF COVER

PART NUMBER	PB CUTOUTS	ENCLOSURE OVERALL SIZE HxWxD	ENCLOSURE INSIDE DIMENSIONS AxBxC	I	J	K	L	M	N	O	WT.
HW-N4X1PB-22	1	6.63 x 3.81 x 3.89 (168 x 97 x 99)	6.00x3.19x3.63 (153x81x92)	5.31 (135)	2.5 (64)	4.88 (124)	2.94 (75)	4.13 (105)	2.19 (56)	3.31 (84)	2 lbs.
HW-N4X2PB-22	2	6.63 x 3.81 x 3.89 (168 x 97 x 99)	6.00x3.19x3.63 (153x81x92)	5.31 (135)	2.5 (64)	4.88 (124)	2.94 (75)	4.13 (105)	2.19 (56)	2.53 (64)	2 lbs.
HW-N4X3PB-22	3	6.63 x 3.81 x 3.89 (168 x 97 x 99)	6.00x3.19x3.63 (153x81x92)	5.31 (135)	2.5 (64)	4.88 (124)	2.94 (75)	4.13 (105)	2.19 (56)	1.75 (44)	2 lbs.
HW-N4X4PB-22	4	8.88 x 3.81 x 3.89 (225 x 97 x 99)	8.26x3.19x3.63 (210x81x92)	7.56 (192)	2.5 (64)	7.13 (181)	2.94 (75)	6.38 (162)	2.19 (56)	2.09 (53)	2 lbs.
HW-N4X5PB-22	5	11.13 x 3.81 x 3.89 (283 x 97 x 99)	10.51x3.19x3.63(267x81x92)	9.81 (249)	2.5 (64)	9.37 (238)	2.94 (75)	8.63 (219)	2.19 (56)	2.44 (62)	2 lbs.
HW-N4X6PB-22	6	11.13 x 3.81 x 3.89 (283 x 97 x 99)	10.51x3.19x3.63(267x81x92)	9.81 (249)	2.5 (64)	9.37 (238)	2.94 (75)	8.63 (219)	2.19 (56)	1.66 (42)	3 lbs.
HW-N4X7PB-22	7	13.78 x 3.63 x 3.14 (350 x 92 x 80)	13.19x3.03x2.87(335x77x73)	12.53 (318)	2.38 (60)	12.37 (314)	2.75 (70)	11.66 (296)	2.03 (52)	2.20 (56)	3 lbs.

Note: Dimensions in inches (millimeters); letters in table correspond to letters on dimensional drawings.



MULTI-HOLE PUSHBUTTON SERIES NON-METALLIC ENCLOSURES
30MM MULTI-HOLE PUSHBUTTON SERIES WITH LIFT-OFF COVER



HW-N4X12PBW

Industry Standards

- UL/cUL 50/508, Types 1, 3, 4X, 6P, 12
- CSA Standard C22.2 Types 1, 3, 4x, 6P, 12
- NEMA Standard 250 Types 1, 3, 4x, 6P, 12
- Temperature Range: -40°F to 250°F (-40°C to 120°C)
- Flammability Rating: UL94-5V
- Non-flame propagating

UL File E64791

CSA File 222873

FEATURES-SPECIFICATIONS

Construction

- Hot compression molded fiberglass reinforced thermoset polyester
- Poured polyurethane seamless gasket provides watertight, dust-tight environmental seal
- Recessed captive stainless steel screws
- 300 Series stainless steel used on all external hardware
- Integral mounting flange for easy mounting

- Optional mounting foot kit not available on this model
- Rounded edges, minimal protrusions or exposed pocket areas for accumulation of dust or debris
- Raised bosses with brass inserts accepting 10-32 screws for optional panel mounting
- Stainless steel beaded cover retention chain
- Metal grounding strap

- Submersible, non-corrosive environmental design
- Lift off cover with four cover screws
- Non-conductive, impact resistant, UV resistant
- Smooth surface, no color variations, swirls or color pockets, no voids
- Color: Gray

Accessories

- See pages E59-E61

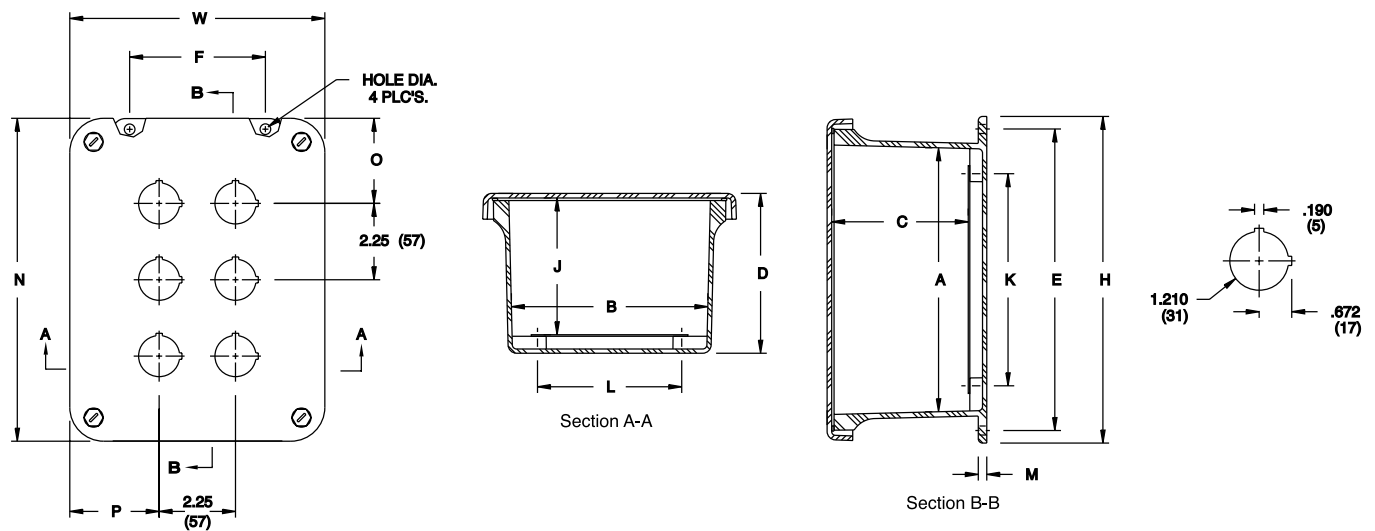
30MM MULTI-HOLE PUSHBUTTON SERIES WITH LIFT-OFF COVER							
PART NUMBER	ENCLOSURE OVERALL SIZE HxWxD	ENCLOSURE INSIDE AxBxC	WT.	CARBON STEEL SUBPANEL	FIBERGLASS SUBPANEL	STAINLESS STEEL SUBPANEL	ALUMINUM SUBPANEL
HW-N4X4PBW	7.50 x 7.50 x 4.75 (191 x 191 x 121)	5.72 x 5.72 x 4.45 (145 x 145 x 113)	2.75 lbs.	HW-MP606CS	HW-MP606FG	HW-MP606SS	HW-MP606A
HW-N4X6PBW	9.62 x 7.50 x 4.74 (244 x 191 x 121)	7.73 x 5.74 x 4.45 (196 x 146 x 113)	3.5 lbs.	HW-MP806CS	HW-MP806FG	HW-MP806SS	HW-MP806A
HW-N4X9PBW	11.62 x 9.41 x 4.25 (295 x 239 x 108)	9.73 x 7.73 x 3.98 (247 x 196 x 101)	5 lbs.	HW-MP1008CS	HW-MP1008FG	HW-MP1008SS	HW-MP1008A
HW-N4X12PBW	11.62 x 9.41 x 4.25 (295 x 239 x 108)	9.73 x 7.73 x 3.98 (24 x 196 x 101)	5 lbs.	HW-MP1008CS	HW-MP1008FG	HW-MP1008SS	HW-MP1008A
HW-N4X16PBW	13.56 x 11.43 x 5.21 (344 x 291 x 132)	11.79 x 9.80 x 4.94 (299 x 249 x 125)	6.5 lbs.	HW-MP1210CS	HW-MP1210FG	HW-MP1210SS	HW-MP1210A
HW-N4X20PBW	13.56 x 11.43 x 5.21 (344 x 291 x 132)	11.79 x 9.80 x 4.94 (299 x 249 x 125)	6.5 lbs.	HW-MP1210CS	HW-MP1210FG	HW-MP1210SS	HW-MP1210A
HW-N4X25PBW	15.50 x 13.50 x 6.25 (394 x 343 x 159)	13.53 x 11.55 x 5.94 (344 x 293 x 151)	8.5 lbs.	HW-MP1412CS	HW-MP1412FG	HW-MP1412SS	HW-MP1412A

Note: Subpanels must be ordered separately. Dimensions in inches (millimeters)



30MM MULTI-HOLE PUSHBUTTON SERIES WITH LIFT-OFF COVER												
PART NUMBER	PB CUTOUTS	ENCLOSURE OVERALL SIZE HxWxD	ENCLOSURE INSIDE AxBxC	MOUNTING EXF	J	K	L	N	M	O	P	HOLE DIA.
HW-N4X4PBW	4	7.50x7.50x4.75 (91x191x121)	5.72x5.72x4.45 (145x145x113)	6.75x4 (171x101)	4 (101)	4.25 (108)	4.25 (108)	0.25 (6)	7.52 (191)	2.64 (67)	2.64 (67)	0.31(8)
HW-N4X6PBW	6	9.62x7.50x4.74 (244x191x121)	7.73x5.74x4.45 (196x146x113)	8.88x4 (225x101)	4 (101)	6.25 (159)	4.25 (108)	0.25 (6)	9.5 (242)	2.64 (67)	2.51 (64)	0.31(8)
HW-N4X9PBW	9	11.62x9.41x4.25 (295x239x108)	9.73x7.73x3.98 (247x196x101)	10.75x6 (273x152)	3.5 (89)	8.25 (209)	6.25 (159)	0.25 (6)	11.35(288)	3.43 (87)	2.45 (62)	0.31(8)
HW-N4X12PBW	12	11.62x9.41x4.25 (295x239x108)	9.73x7.73x3.98 (24 x196x101)	10.75x6 (273x152)	3.5 (89)	8.25 (209)	6.25 (159)	0.25 (6)	11.35(288)	2.3 (58)	2.45 (62)	0.31(8)
HW-N4X16PBW	16	13.56x11.43x5.21 (344x291x132)	11.79x9.80x4.94 (299x249x125)	12.75x8 (324x203)	4.5 (114)	10.25 (260)	8.25 (209)	0.25 (6)	13.41(341)	3.33 (85)	2.30 (58)	0.31(8)
HW-N4X20PBW	20	13.56x11.43x5.21 (344x291x132)	11.79x9.80x4.94 (299x249x125)	12.75x8 (324x203)	4.5 (114)	10.25 (260)	8.25 (209)	0.25 (6)	13.41(341)	2.2 (56)	2.10 (53)	0.31(8)
HW-N4X25PBW	25	15.50x13.50x6.25 (394x343x159)	13.53x11.55x5.94 (344x293x151)	14.62x10 (371x254)	5.37(137)	12.25 (311)	10.25 (260)	0.25 (6)	15.47(393)	3.24 (82)	2.25 (57)	0.31(8)

Note: Subpanels must be ordered separately. Dimensions in inches (millimeters); letters in table correspond to letters on dimensional drawings.




JIC SERIES NON-METALLIC ENCLOSURES OPAQUE, LIFT-OFF COVER WITH FOUR SCREWS



HW-J100805SC
CROWNED COVER MODEL SHOWN

Industry Standards

- UL/cUL 50/508, Types 1, 3, 4X, 6P, 12
- CSA Standard C22.2 Types 1, 3, 4x, 6P, 12
- NEMA Standard 250 Types 1, 3, 4x, 6P, 12
- Temperature Range: -40°F to 250°F (-40°C to 120°C)
- Flammability Rating: UL94-5V
- Non-flame propagating

 UL File E64791

 CSA File 222873

FEATURES-SPECIFICATIONS

Construction

- Hot compression molded fiberglass reinforced thermoset polyester
- Poured polyurethane seamless gasket provides watertight, dust-tight environmental seal
- Recessed pan head screws – no protruding surfaces
- 300 Series stainless used on all external hardware
- Rounded edges, minimal protrusions or exposed pocket area for accumulation of dust or debris

- Molded in flange for easy mounting
- Panel mounting capability for fixed rear panel
- Raised bosses with brass inserts accepting 10-32 screws for optional panel mounting
- Stainless steel beaded cover retention chain
- Workable material cuts, drills, punches and saws with ease and accuracy
- Submersible, non-corrosive environmental design

- Lift off cover
- Non-conductive, impact resistant, UV resistant
- Smooth surface, no color variations, swirls or color pockets, no voids

Accessories

- See pages E59-E61

JIC SERIES WITH OPAQUE, LIFT OFF, FOUR-SCREW COVER							
PART NUMBER	ENCLOSURE OVERALL SIZE HxWxD	ENCLOSURE INSIDE AxBxC	WT.	CARBON STEEL SUBPANEL	FIBERGLASS SUBPANEL	STAINLESS STEEL SUBPANEL	ALUMINUM SUBPANEL
HW-J60404SC	7.50 x 5.43 x 4.75 (191 x 138 x 121)	5.84 x 3.85 x 4.45 (148 x 98 x 113)	2.5 lbs.	HW-MP604CS	HW-MP604FG	HW-MP604SS	HW-MP604A
HW-J60604SC	7.50 x 7.50 x 4.75 (191 x 191 x 121)	5.72 x 5.72 x 4.45 (145 x 145 x 113)	2.75 lbs.	HW-MP606CS	HW-MP606FG	HW-MP606SS	HW-MP606A
HW-J80604SC	9.62 x 7.50 x 4.74 (244 x 191 x 121)	7.73 x 5.74 x 4.45 (196 x 146 x 113)	3.5 lbs.	HW-MP806CS	HW-MP806FG	HW-MP806SS	HW-MP806A
HW-J100804SC	11.62 x 9.41 x 4.25 (295 x 239 x 108)	9.73 x 7.73 x 3.98 (247 x 196 x 101)	5 lbs.	HW-MP1008CS	HW-MP1008FG	HW-MP1008SS	HW-MP1008A
HW-J100805SC (crowned cover)*	11.62 x 9.37 x 5.06 (295 x 238 x 129)	9.73 x 7.73 x 4.83 (247 x 196 x 123)	5 lbs.	HW-MP1008CS	HW-MP1008FG	HW-MP1008SS	HW-MP1008A
HW-J121005SC	13.56 x 11.43 x 5.21 (344 x 291 x 132)	11.79 x 9.80 x 4.94 (299 x 249 x 125)	6.5 lbs.	HW-MP1210CS	HW-MP1210FG	HW-MP1210SS	HW-MP1210A
HW-J141206SC	15.50 x 13.50 x 6.25 (394 x 343 x 159)	13.53 x 11.55 x 5.94 (344 x 293 x 151)	8.5 lbs.	HW-MP1412CS	HW-MP1412FG	HW-MP1412SS	HW-MP1412A
HW-J161406SC	17.53 x 15.46 x 6.23 (445 x 393 x 158)	15.63 x 13.60 x 5.94 (397 x 345 x 151)	11.5 lbs.	HW-MP1614CS	HW-MP1614FG	HW-MP1614SS	HW-MP1614A
HW-J181608SC	19.62 x 17.61 x 8.82 (498 x 447 x 224)	17.69 x 15.69 x 8.45 (449 x 399 x 215)	19.25 lbs.	HW-MP1816CS	HW-MP1816FG	HW-MP1816SS	HW-MP1816A
HW-J201608SC	22.00 x 17.68 x 8.83 (559 x 449 x 224)	19.72 x 15.72 x 8.45 (501 x 399 x 215)	20.25 lbs.	HW-MP2016CS	HW-MP2016FG	HW-MP2016SS	HW-MP2016A

Note: Subpanels must be ordered separately. Dimensions in inches (millimeters).

*Note: In crowned cover units, the center of the cover is raised 3/4". Crowned cover is available only in 10x8x5 size enclosure.

JIC SERIES NON-METALLIC ENCLOSURES OPAQUE, HINGED COVER WITH TWO SCREWS

E45



HW-J100804CHSC

Industry Standards

- UL/cUL 50/508, Types 1, 3, 3S, 12, 13, 4x
- CSA Standard C22.2 Types 1, 3, 3S, 12, 13, 4x
- NEMA Standard 250 Types 1, 3, 3S, 12, 13, 4x
- IEC 60529 IP66
- UL94 V-0, 5V flammability rating
- Non-flame propagating
- Flame Spread classification per NFPA No. 101, Class A (1)
- Temperature Range: -40°F to 250°F (-40°C to 120°C)



UL File E64791



CSA File 222873

FEATURES-SPECIFICATIONS

Construction

- Hot compression molded fiberglass reinforced thermoset polyester
- Poured polyurethane seamless gasket provides watertight, dust-tight environmental seal
- Recessed pan head screws – no protruding surfaces
- 300 Series stainless steel used on all external hardware
- Rounded edges, minimal protrusions or exposed pocket area for accumulation of dust or debris

- Molded in flange for easy mounting
- Panel mounting capability for fixed rear panel
- Raised bosses with brass inserts accepting 10-32 screws for optional panel mounting
- Workable material cuts, drills, punches and saws with ease and accuracy
- Submersible, non-corrosive environmental design
- Full length stainless steel hinged cover

- Full 180° door opening
- Non-conductive, impact resistant, UV resistant
- Smooth surface, no color variations, swirls or color pockets, no voids
- Color: Gray

Accessories

- See pages E59-E61

JIC SERIES WITH OPAQUE, HINGED, TWO-SCREW COVER							
PART NUMBER	ENCLOSURE OVERALL SIZE HxWxD	ENCLOSURE INSIDE AxBxC	WT.	CARBON STEEL SUBPANEL	FIBERGLASS SUBPANEL	STAINLESS STEEL SUBPANEL	ALUMINUM SUBPANEL
HW-J60404CHSC	7.50 x 5.43 x 4.75 (191 x 138 x 121)	5.84 x 3.85 x 4.45 (148 x 98 x 113)	2.5 lbs.	HW-MP604CS	HW-MP604FG	HW-MP604SS	HW-MP604A
HW-J60604CHSC	7.50 x 7.50 x 4.75 (191 x 191 x 121)	5.72 x 5.72 x 4.45 (145 x 145 x 113)	2.75 lbs.	HW-MP606CS	HW-MP606FG	HW-MP606SS	HW-MP606A
HW-J80604CHSC	9.62 x 7.50 x 4.74 (244 x 191 x 121)	7.73 x 5.74 x 4.45 (196 x 146 x 113)	3.5 lbs.	HW-MP806CS	HW-MP806FG	HW-MP806SS	HW-MP806A
HW-J100804CHSC	11.62 x 9.41 x 4.25 (295 x 239 x 108)	9.73 x 7.73 x 3.98 (247 x 196 x 101)	5 lbs.	HW-MP1008CS	HW-MP1008FG	HW-MP1008SS	HW-MP1008A
HW-J100805CHSC (crowned cover)*	11.62 x 9.37 x 5.06 (295 x 238 x 129)	9.73 x 7.73 x 4.83 (247 x 196 x 123)	5 lbs.	HW-MP1008CS	HW-MP1008FG	HW-MP1008SS	HW-MP1008A
HW-J121005CHSC	13.56 x 11.43 x 5.21 (344 x 291 x 132)	11.79 x 9.80 x 4.94 (299 x 249 x 125)	6.5 lbs.	HW-MP1210CS	HW-MP1210FG	HW-MP1210SS	HW-MP1210A
HW-J141206CHSC	15.50 x 13.50 x 6.25 (394 x 343 x 159)	13.53 x 11.55 x 5.94 (344 x 293 x 151)	8.5 lbs.	HW-MP1412CS	HW-MP1412FG	HW-MP1412SS	HW-MP1412A
HW-J161406CHSC	17.53 x 15.46 x 6.23 (445 x 393 x 158)	15.63 x 13.60 x 5.94 (397 x 345 x 151)	11.5 lbs.	HW-MP1614CS	HW-MP1614FG	HW-MP1614SS	HW-MP1614A
HW-J181608CHSC	19.62 x 17.61 x 8.82 (498 x 447 x 224)	17.69 x 15.69 x 8.45 (449 x 399 x 215)	19.25 lbs.	HW-MP1816CS	HW-MP1816FG	HW-MP1816SS	HW-MP1816A
HW-J201608CHSC	22.00 x 17.68 x 8.83 (559 x 449 x 224)	19.72 x 15.72 x 8.45 (501 x 399 x 215)	20.25 lbs.	HW-MP2016CS	HW-MP2016FG	HW-MP2016SS	HW-MP2016A

Note: Subpanels must be ordered separately. Dimensions in inches (millimeters).

*Note: In crowned cover units, the center of the cover is raised 3/4". Crowned cover is available only in 10x8x5 size enclosure.

**JIC SERIES NON-METALLIC ENCLOSURES
OPAQUE, HINGED COVER WITH QUICK RELEASE LATCHES**



HW-J121005CHQR

Industry Standards

- UL/cUL 50/508, Types 1, 3, 4X, 6P, 12
- CSA Standard C22.2 Types 1, 3, 4x, 6P, 12
- NEMA Standard 250 Types 1, 3, 4x, 6P, 12
- Temperature Range: -40°F to 250°F (-40°C to 120°C)
- Flammability Rating: UL94-5V
- Non-flame propagating



FEATURES-SPECIFICATIONS

Construction

- Hot compression molded fiberglass reinforced thermoset polyester
- Poured polyurethane seamless gasket provides watertight, dust-tight environmental seal
- Recessed pan head screws – no protruding surfaces
- 300 Series stainless steel used on all external hardware
- Rounded edges, minimal protrusions or exposed pocket areas for accumulation of dust or debris

- Molded in flange for easy mounting
- Panel mounting capability for fixed rear panel
- Raised bosses with brass inserts accepting 10-32 screws for optional panel mounting
- Workable material cuts, drills, punches and saws with ease and accuracy
- Submersible, non-corrosive environmental design
- Full length stainless steel hinged cover

- Integral hasp provides secure loop for padlock (padlock not included)
- Non-conductive, impact resistant, UV resistant
- Smooth surface, no color variations, swirls or color pockets, no voids
- Color: Gray

Accessories

- See pages E59-E61

JIC SERIES WITH OPAQUE HINGED COVER AND QUICK RELEASE LATCHES							
PART NUMBER	ENCLOSURE OVERALL SIZE HxWxD	ENCLOSURE INSIDE AxBxC	WT.	CARBON STEEL SUBPANEL	FIBERGLASS SUBPANEL	STAINLESS STEEL SUBPANEL	ALUMINUM SUBPANEL
HW-J60404CHQR	7.50 x 5.43 x 4.75 (191 x 138 x 121)	5.84 x 3.85 x 4.45 (148 x 98 x 113)	2.5 lbs.	HW-MP604CS	HW-MP604FG	HW-MP604SS	HW-MP604A
HW-J60604CHQR	7.50 x 7.50 x 4.75 (191 x 191 x 121)	5.72 x 5.72 x 4.45 (145 x 145 x 113)	2.75 lbs.	HW-MP606CS	HW-MP606FG	HW-MP606SS	HW-MP606A
HW-J80604CHQR	9.62 x 7.50 x 4.74 (244 x 191 x 121)	7.73 x 5.74 x 4.45 (196 x 146 x 113)	3.5 lbs.	HW-MP806CS	HW-MP806FG	HW-MP806SS	HW-MP806A
HW-J100804CHQR	11.62 x 9.41 x 4.25 (295 x 239 x 108)	9.73 x 7.73 x 3.98 (247 x 196 x 101)	5 lbs.	HW-MP1008CS	HW-MP1008FG	HW-MP1008SS	HW-MP1008A
HW-J100805CHQR (crowned cover)*	11.62 x 9.37 x 5.06 (295 x 238 x 129)	9.73 x 7.73 x 4.83 (247 x 196 x 123)	5 lbs.	HW-MP1008CS	HW-MP1008FG	HW-MP1008SS	HW-MP1008A
HW-J121005CHQR	13.56 x 11.43 x 5.21 (344 x 291 x 132)	11.79 x 9.80 x 4.94 (299 x 249 x 125)	6.5 lbs.	HW-MP1210CS	HW-MP1210FG	HW-MP1210SS	HW-MP1210A
HW-J141206CHQR	15.50 x 13.50 x 6.25 (394 x 343 x 159)	13.53 x 11.55 x 5.94 (344 x 293 x 151)	8.5 lbs.	HW-MP1412CS	HW-MP1412FG	HW-MP1412SS	HW-MP1412A
HW-J161406CHQR	17.53 x 15.46 x 6.23 (445 x 393 x 158)	15.63 x 13.60 x 5.94 (397 x 345 x 151)	11.5 lbs.	HW-MP1614CS	HW-MP1614FG	HW-MP1614SS	HW-MP1614A
HW-J181608CHQR	19.62 x 17.61 x 8.82 (498 x 447 x 224)	17.69 x 15.69 x 8.45 (449 x 399 x 215)	19.25 lbs.	HW-MP1816CS	HW-MP1816FG	HW-MP1816SS	HW-MP1816A
HW-J201608CHQR	22.00 x 17.68 x 8.83 (559 x 449 x 224)	19.72 x 15.72 x 8.45 (501 x 399 x 215)	20.25 lbs.	HW-MP2016CS	HW-MP2016FG	HW-MP2016SS	HW-MP2016A

Note: Subpanels must be ordered separately. Dimensions in inches (millimeters).

*Note: In crowned cover units, the center of the cover is raised 3/4". Crowned cover is available only in 10x8x5 size enclosure.

JIC SERIES NON-METALLIC ENCLOSURES HINGED COVER WITH LINK-LOCK LATCHES AND WINDOW

E47



HW-J121005CHTLW

Industry Standards

- UL/cUL 50/508, Types 1, 3, 4X, 6P, 12
- CSA Standard C22.2 Types 1, 3, 4x, 6P, 12
- NEMA Standard 250 Types 1, 3, 4x, 6P, 12
- Temperature Range: -40°F to 250°F (-40°C to 120°C)
- Flammability Rating: UL94-5V
- Window flammability: UL94V-0
- Non-flame propagating



UL File E64791



CSA File 222873

FEATURES-SPECIFICATIONS

Construction

- Hot compression molded fiberglass reinforced thermoset polyester
- Poured polyurethane seamless gasket provides watertight, dust-tight environmental seal
- Full length stainless steel hinge
- 300 Series stainless steel used on all external hardware
- Rounded edges, minimal protrusions or exposed pocket area for accumulation of dust or debris
- Molded in flange for easy mounting
- Panel mounting capability for fixed rear panel
- Raised bosses with brass inserts accepting 10-32 screws for optional panel mounting
- Workable material cuts, drills, punches and saws with ease and accuracy
- Link lock latch for quick entry
- Latch lies flat on side of enclosure
- Scratch and abrasion resistant UVA acrylic flush bonded window
- Submersible, non-corrosive environmental design
- Full 180° door opening
- Non-conductive, impact resistant, UV resistant
- Smooth surface, no color variations, swirls or color pockets, no voids
- Color: Gray

Accessories

- See pages E59-E61

JIC SERIES WITH WINDOW AND TWO LINK-LOCK LATCHES							
PART NUMBER	ENCLOSURE OVERALL SIZE HxWxD	ENCLOSURE INSIDE AxBxC	WT.	CARBON STEEL SUBPANEL	FIBERGLASS SUBPANEL	STAINLESS STEEL SUBPANEL	ALUMINUM SUBPANEL
HW-J60404CHTLW	7.50 x 5.43 x 4.75 (191 x 138 x 121)	5.84 x 3.85 x 4.45 (148 x 98 x 113)	2.5 lbs.	HW-MP604CS	HW-MP604FG	HW-MP604SS	HW-MP604A
HW-J60604CHTLW	7.50 x 7.50 x 4.75 (191 x 191 x 121)	5.72 x 5.72 x 4.45 (145 x 145 x 113)	2.75 lbs.	HW-MP606CS	HW-MP606FG	HW-MP606SS	HW-MP606A
HW-J80604CHTLW	9.62 x 7.50 x 4.74 (244 x 191 x 121)	7.73 x 5.74 x 4.45 (196 x 146 x 113)	3.5 lbs.	HW-MP806CS	HW-MP806FG	HW-MP806SS	HW-MP806A
HW-J100804CHTLW	11.62 x 9.41 x 4.25 (295 x 239 x 108)	9.73 x 7.73 x 3.98 (247 x 196 x 101)	5 lbs.	HW-MP1008CS	HW-MP1008FG	HW-MP1008SS	HW-MP1008A
HW-J100805CHTLW (crowned cover)*	11.62 x 9.37 x 5.06 (295 x 238 x 129)	9.73 x 7.73 x 4.83 (247 x 196 x 123)	5 lbs.	HW-MP1008CS	HW-MP1008FG	HW-MP1008SS	HW-MP1008A
HW-J121005CHTLW	13.56 x 11.43 x 5.21 (344 x 291 x 132)	11.79 x 9.80 x 4.94 (299 x 249 x 125)	6.5 lbs.	HW-MP1210CS	HW-MP1210FG	HW-MP1210SS	HW-MP1210A
HW-J141206CHTLW	15.50 x 13.50 x 6.25 (394 x 343 x 159)	13.53 x 11.55 x 5.94 (344 x 293 x 151)	8.5 lbs.	HW-MP1412CS	HW-MP1412FG	HW-MP1412SS	HW-MP1412A
HW-J161406CHTLW	17.53 x 15.46 x 6.23 (445 x 393 x 158)	15.63 x 13.60 x 5.94 (397 x 345 x 151)	11.5 lbs.	HW-MP1614CS	HW-MP1614FG	HW-MP1614SS	HW-MP1614A
HW-J181608CHTLW	19.62 x 17.61 x 8.82 (498 x 447 x 224)	17.69 x 15.69 x 8.45 (449 x 399 x 215)	19.25 lbs.	HW-MP1816CS	HW-MP1816FG	HW-MP1816SS	HW-MP1816A
HW-J201608CHTLW	22.00 x 17.68 x 8.83 (559 x 449 x 224)	19.72 x 15.72 x 8.45 (501 x 399 x 215)	20.25 lbs.	HW-MP2016CS	HW-MP2016FG	HW-MP2016SS	HW-MP2016A

Note: Subpanels must be ordered separately. Dimensions in inches (millimeters).

*Note: In crowned cover units, the center of the cover is raised 3/4". Crowned cover is available only in 10x8x5 size enclosure.

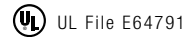
JIC SERIES NON-METALLIC ENCLOSURES OPAQUE, HINGED COVER WITH QUICK RELEASE LATCHES AND WINDOW



HW-J100804CHQRW

Industry Standards

- UL/cUL 50/508, Types 1, 3, 4X, 6P, 12
- CSA Standard C22.2 Types 1, 3, 4x, 6P, 12
- NEMA Standard 250 Types 1, 3, 4x, 6P, 12
- Temperature Range: -40°F to 250°F (-40°C to 120°C)
- Flammability Rating: UL94-5V
- Window flammability: UL94V-0
- Non-flame propagating



FEATURES-SPECIFICATIONS

Construction

- Hot compression molded fiberglass reinforced thermoset polyester
- Poured polyurethane seamless gasket provides watertight, dust-tight environmental seal
- Full length stainless steel hinge
- 300 Series stainless steel used on all external hardware
- Rounded edges, minimal protrusions or exposed pocket area for accumulation of dust or debris
- Molded-in flange for easy mounting

- Panel mounting capability for fixed rear panel
- Raised bosses with brass inserts accepting 10-32 screws for optional panel mounting
- Workable material cuts, drills, punches and saws with ease and accuracy
- Padlock latch (padlock not included)
- Snap catch concept with toggle action
- Scratch and abrasion resistant UVA acrylic flush bonded window

- Submersible, non-corrosive environmental design
- Full 180° door opening
- Non-conductive, impact resistant, UV resistant
- Smooth surface, no color variations, swirls or color pockets, no voids
- Color: Gray

Accessories

- See pages E59-E61

JIC SERIES WITH QUICK RELEASE LATCHES AND WINDOW								
PART NUMBER	ENCLOSURE OVERALL SIZE HxWxD	ENCLOSURE INSIDE AxBxC	WINDOW AREA (MAX.)	WT.	CARBON STEEL SUBPANEL	FIBERGLASS SUBPANEL	STAINLESS STEEL SUBPANEL	ALUMINUM SUBPANEL
HW-J60404CHQRW	7.50 x 5.43 x 4.75 (191 x 138 x 121)	5.84 x 3.85 x 4.45 (148 x 98 x 113)	4.25 x 2.25 (108 x 57)	2.5 lbs.	HW-MP604CS	HW-MP604FG	HW-MP604SS	HW-MP604A
HW-J60604CHQRW	7.50 x 7.50 x 4.75 (191 x 191 x 121)	5.72 x 5.72 x 4.45 (145 x 145 x 113)	4.25 x 4.25 (108 x 108)	2.75 lbs.	HW-MP606CS	HW-MP606FG	HW-MP606SS	HW-MP606A
HW-J80604CHQRW	9.62 x 7.50 x 4.74 (244 x 191 x 121)	7.73 x 5.74 x 4.45 (196 x 146 x 113)	6.25 x 4.25 (159 x 108)	3.5 lbs.	HW-MP806CS	HW-MP806FG	HW-MP806SS	HW-MP806A
HW-J100804CHQRW	11.62 x 9.41 x 4.25 (295 x 239 x 108)	9.73 x 7.73 x 3.98 (247 x 196 x 101)	8.25 x 6.25 (210 x 159)	5 lbs.	HW-MP1008CS	HW-MP1008FG	HW-MP1008SS	HW-MP1008A
HW-J121005CHQRW	13.56 x 11.43 x 5.21 (344 x 291 x 132)	11.79 x 9.80 x 4.94 (299 x 249 x 125)	10.25 x 8.25 (260 x 210)	6.5 lbs.	HW-MP1210CS	HW-MP1210FG	HW-MP1210SS	HW-MP1210A
HW-J141206CHQRW	15.50 x 13.50 x 6.25 (394 x 343 x 159)	13.53 x 11.55 x 5.94 (344 x 293 x 151)	12.25 x 10.25 (311 x 260)	8.5 lbs.	HW-MP1412CS	HW-MP1412FG	HW-MP1412SS	HW-MP1412A
HW-J161406CHQRW	17.53 x 15.46 x 6.23 (445 x 393 x 158)	15.63 x 13.60 x 5.94 (397 x 345 x 151)	14.25 x 12.25 (362 x 311)	11.5 lbs.	HW-MP1614CS	HW-MP1614FG	HW-MP1614SS	HW-MP1614A
HW-J181608CHQRW*	19.62 x 17.61 x 8.82 (498 x 447 x 224)	17.69 x 15.69 x 8.45 (449 x 399 x 215)	16.25 x 14.25 (413 x 362)	19.25 lbs.	HW-MP1816CS	HW-MP1816FG	HW-MP1816SS	HW-MP1816A
HW-J201608CHQRW*	22.00 x 17.68 x 8.83 (559 x 449 x 224)	19.72 x 15.72 x 8.45 (501 x 399 x 215)	18.25 x 14.25 (463 x 413)	20.25 lbs.	HW-MP2016CS	HW-MP2016FG	HW-MP2016SS	HW-MP2016A

Note: Subpanels must be ordered separately. Dimensions in inches (millimeters).

*Note: 1816 and 2016 sizes are not 6P Rated.

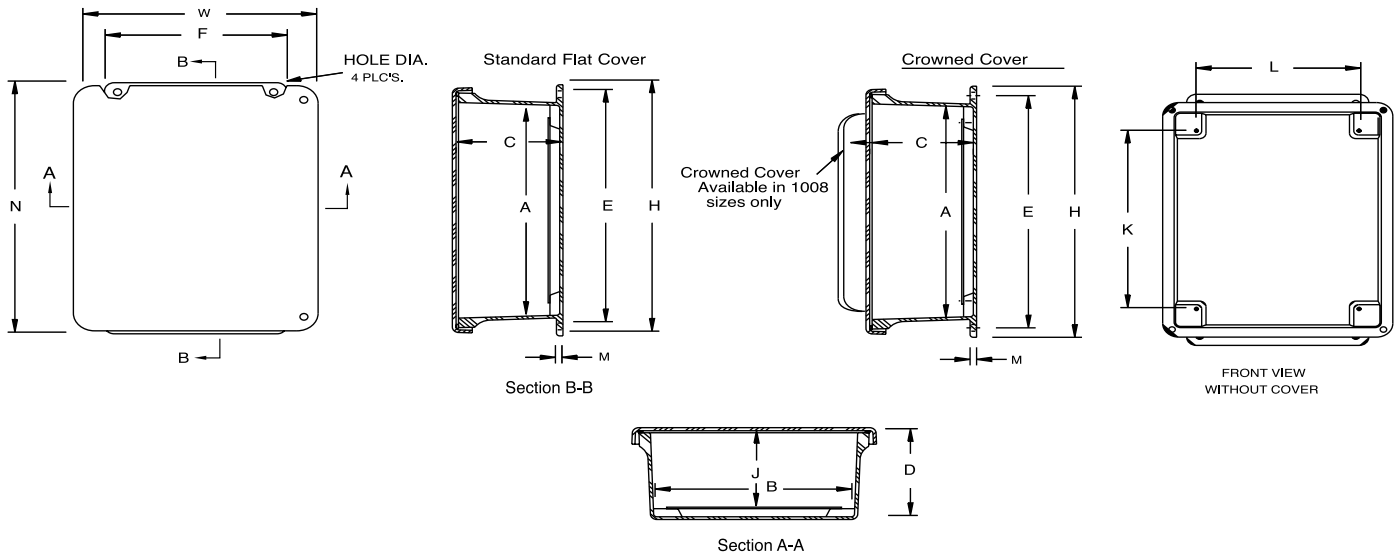
JIC SERIES NON-METALLIC ENCLOSURES OPAQUE, HINGED COVER WITH QUICK RELEASE LATCHES AND WINDOW

E49

DIMENSIONS FOR JIC SERIES NON-METAL ENCLOSURES									
PART NUMBER	ENCLOSURE OVERALL SIZE HxWxD	ENCLOSURE INSIDE AxBxC	MOUNTING ExF	J	K	L	M	N	HOLE DIA.
HW-J60404SC	7.50 x 5.43 x 4.75 (191 x 138 x 121)	5.84 x 3.85 x 4.45 (148 x 98 x 113)	6.75 x 2 (171 x 51)	4 (101)	4.25 (108)	2.25 (57)	0.25 (6)	7.39 (188)	0.31 (8)
HW-J60604SC	7.50 x 7.50 x 4.75 (191 x 191 x 121)	5.72 x 5.72 x 4.45 (145 x 145 x 113)	6.75 x 4 (171 x 101)	4 (101)	4.25 (108)	4.25 (108)	0.25 (6)	7.52 (191)	0.31 (8)
HW-J80604SC	9.62 x 7.50 x 4.74 (244 x 191 x 121)	7.73 x 5.74 x 4.45 (196 x 146 x 113)	8.88 x 4 (225 x 101)	4 (101)	6.25 (159)	4.25 (108)	0.25 (6)	9.5 (242)	0.31 (8)
HW-J100804SC	11.62 x 9.41 x 4.25 (295 x 239 x 108)	9.73 x 7.73 x 3.98 (247 x 196 x 101)	10.75 x 6 (273 x 152)	3.5 (89)	8.25 (209)	6.25 (159)	0.25 (6)	11.35 (288)	0.31 (8)
HW-J100805SC (crowned cover)*	11.62 x 9.37 x 5.06 (295 x 238 x 129)	9.73 x 7.73 x 4.83 (247 x 196 x 123)	10.75 x 6 (273 x 152)	4.37 (111)	8.25 (209)	6.25 (159)	0.25 (6)	11.37 (289)	0.31 (8)
HW-J121005SC	13.56 x 11.43 x 5.21 (344 x 291 x 132)	11.79 x 9.80 x 4.94 (299 x 249 x 125)	12.75 x 8 (324 x 203)	4.5 (114)	10.25 (260)	8.25 (209)	0.25 (6)	13.41 (341)	0.31 (8)
HW-J141206SC	15.50 x 13.50 x 6.25 (394 x 343 x 159)	13.53 x 11.55 x 5.94 (344 x 293 x 151)	14.62 x 10 (371 x 254)	5.37 (137)	12.25 (311)	10.25 (260)	0.25 (6)	15.47 (393)	0.31 (8)
HW-J161406SC	17.53 x 15.46 x 6.23 (445 x 393 x 158)	15.63 x 13.60 x 5.94 (397 x 345 x 151)	16.75 x 12 (425 x 305)	5.36 (136)	14.25 (362)	12.25 (311)	0.25 (6)	17.45 (443)	0.31 (8)
HW-J181608SC	19.62 x 17.61 x 8.82 (498 x 447 x 224)	17.69 x 15.69 x 8.45 (449 x 399 x 215)	18.88 x 12 (479 x 305)	7.99 (203)	16.25 (413)	14.25 (362)	0.25 (6)	19.61 (498)	0.31 (8)
HW-J201608SC	22.00 x 17.68 x 8.83 (559 x 449 x 224)	19.72 x 15.72 x 8.45 (501 x 399 x 215)	21.25 x 10.00 (540 x 254)	8 (203)	18.25 (464)	14.25 (362)	0.25 (6)	21.68 (551)	0.31 (8)

Note: Dimensions in inches (millimeters); letters in table correspond to letters on dimensional drawings.

Note: Base Part Number denotes enclosure size only. Defining alphabetical characters are represented by an asterisk (for example: HW-J60604* denotes dimensions for HW-J60604SC, HW-J60604CHSC, HW-J60604CHQR, HW-JCC60604CHQRW, or HW-J60604CHTLW. Do not use Base Part Numbers to order enclosures. Use only complete part numbers when ordering.



**CONTROL SERIES NON-METALLIC ENCLOSURES
NEMA TYPE 3R, HINGED WITH TWIST LATCH**



HW-N3R242410CH

Industry Standards

- UL/cUL 50/508, Types 1, 3R
- CSA Standard C22.2 Types 1, 3R
- NEMA Standard 250 Types 1, 3R
- Temperature Range: -40°F to 250°F (-40°C to 120°C)
- Flammability Rating: UL94-5V
- Non-flame propagating



FEATURES-SPECIFICATIONS

Construction

- Hot compression molded fiberglass reinforced polyester
- Poured polyurethane seamless gasket provides watertight, dust-tight environmental seal
- 300 Series stainless steel used on all external hardware
- Panel mounting capability for fixed rear panel
- Bosses with threaded brass inserts accept 3/8 - 16 screws

- Integral mounting feet
- Rounded edges, minimal protrusions or exposed pocket areas for accumulation of dust or debris
- Rain shield protection against incidental water ingress
- Dust-tight, watertight, non-corrosive environmental design
- Twist lock latches for easy entry
- Built-in padlock hasp
- Non-conductive, impact resistant, UV resistant

- Smooth surface, no color variations, swirls or color pockets, no voids
- Color: Gray

Accessories

- See pages E59-E61

NEMA TYPE 3R CONTROL ENCLOSURES					
PART NUMBER	ENCLOSURE OVERALL SIZE HxWxD	ENCLOSURE INSIDE AxBxC	WT.	CARBON STEEL SUBPANEL	ALUMINUM SUBPANEL
HW-N3R242410CH	27.00 x 25.24 x 11.90 (686 x 641 x 302)	24.05 x 24.39 x 11.25 (611 x 619 x 286)	42 lbs.	HW-WM2424CS	HW-WM2424A
HW-N3R302008CH	32.86 x 20.99 x 9.89 (835 x 533 x 251)	29.90 x 20.14 x 9.23 (760 x 511 x 234)	36 lbs.	HW-WM3020CS	HW-WM3020A
HW-N3R302010CH	32.86 x 20.99 x 11.89 (835 x 533 x 302)	29.90 x 20.14 x 11.23 (760 x 511 x 285)	39 lbs.	HW-WM3020CS	HW-WM3020A
HW-N3R302410CH	33.41 x 26.32 x 11.95 (849 x 668 x 304)	30.46 x 25.47 x 11.27 (774 x 647 x 286)	50 lbs.	HW-WM3024CS	HW-WM3024A
HW-N3R302412CH	33.41 x 26.32 x 13.79 (849 x 668 x 350)	30.46 x 25.47 x 13.10 (774 x 647 x 333)	54 lbs.	HW-WM3024CS	HW-WM3024A
HW-N3R363008CH	39.31 x 32.50 x 10.05 (999 x 826 x 255)	36.31 x 31.69 x 9.36 (922 x 805 x 238)	75 lbs.	HW-WM3630CS	HW-WM3630A
HW-N3R363010CH	39.31 x 32.50 x 12.05 (999 x 826 x 306)	36.31 x 31.69 x 11.36 (922 x 805 x 289)	78 lbs.	HW-WM3630CS	HW-WM3630A
HW-N3R363012CH	39.31 x 32.50 x 14.05 (999 x 826 x 357)	36.31 x 31.69 x 13.36 (922 x 805 x 339)	81 lbs.	HW-WM3630CS	HW-WM3630A
HW-N3R483612CH	51.29 x 36.62 x 14.43 (1303 x 930 x 367)	48.33 x 36.22 x 13.25 (1228 x 920 x 336)	98 lbs.	HW-WM4836CS	HW-WM4836A
HW-N3R483616CH	51.29 x 36.62 x 18.43 (1303 x 930 x 468)	48.33 x 36.22 x 17.25 (1228 x 920 x 438)	108 lbs.	HW-WM4836CS	HW-WM4836A

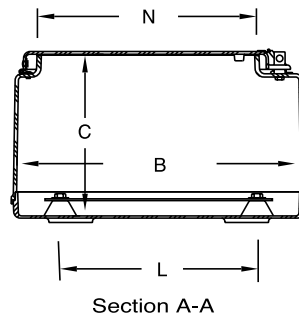
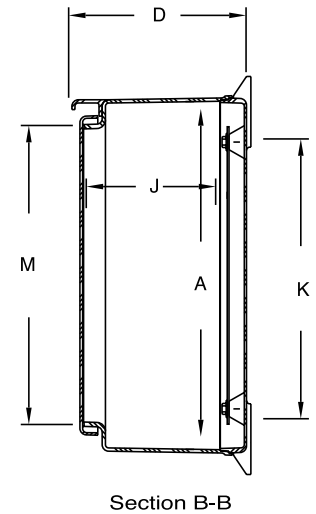
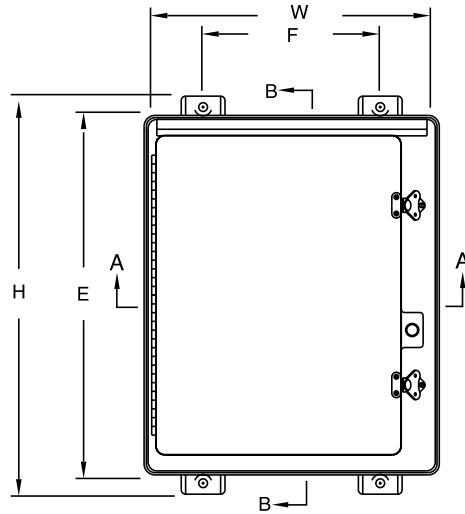
Note: Subpanels must be ordered separately. Dimensions in inches (millimeters).

**CONTROL SERIES NON-METALLIC ENCLOSURES
NEMA TYPE 3R, HINGED WITH TWIST LATCH**

DIMENSIONS FOR NEMA TYPE 3R CONTROL ENCLOSURES							
PART NUMBER	ENCLOSURE OVERALL SIZE HxWxD	ENCLOSURE INSIDE AxBxC	MOUNTING ExF	J	K	L	ENCLOSURE OPENING MxN
HW-N3R242410CH	27.00 x 25.24 x 11.90 (686 x 641 x 302)	24.05 x 24.39 x 11.25 (611 x 619 x 286)	25.75 x 17.87 (654 x 454)	10.25 (260)	19.25 (489)	19.25 (489)	21.25 x 20.00 (540 x 508)
HW-N3R302008CH	32.86 x 20.99 x 9.89 (835 x 533 x 251)	29.90 x 20.14 x 9.23 (760 x 511 x 234)	31.75 x 14.25 (806 x 362)	8.23 (209)	25.25 (641)	15.25 (387)	27.00 x 16.50 (686 x 419)
HW-N3R302010CH	32.86 x 20.99 x 11.89 (835 x 533 x 302)	29.90 x 20.14 x 11.23 (760 x 511 x 285)	31.75 x 14.25 (806 x 362)	10.23 (260)	25.25 (641)	15.25 (387)	27.00 x 16.50 (686 x 419)
HW-N3R302410CH	33.41 x 26.32 x 11.95 (849 x 668 x 304)	30.46 x 25.47 x 11.27 (774 x 647 x 286)	32.25 x 18.50 (819 x 470)	10.27 (261)	25.25 (641)	19.25 (489)	27.38 x 21.25 (695 x 540)
HW-N3R302412CH	33.41 x 26.32 x 13.79 (849 x 668 x 350)	30.46 x 25.47 x 13.10 (774 x 647 x 333)	32.25 x 18.50 (819 x 470)	12.1 (307)	25.25 (641)	19.25 (489)	27.38 x 21.25 (695 x 540)
HW-N3R363008CH	39.31 x 32.50 x 10.05 (999 x 826 x 255)	36.31 x 31.69 x 9.36 (922 x 805 x 238)	38.13 x 23.88 (968 x 606)	8.36 (212)	31.25 (794)	25.25 (641)	33.25 x 27.25 (845 x 692)
HW-N3R363010CH	39.31 x 32.50 x 12.05 (999 x 826 x 306)	36.31 x 31.69 x 11.36 (922 x 805 x 289)	38.13 x 23.88 (968 x 606)	10.36 (263)	31.25 (794)	25.25 (641)	33.25 x 27.25 (845 x 692)
HW-N3R363012CH	39.31 x 32.50 x 14.05 (999 x 826 x 357)	36.31 x 31.69 x 13.36 (922 x 805 x 339)	38.13 x 23.88 (968 x 606)	12.36 (314)	31.25 (794)	25.25 (641)	33.25 x 27.25 (845 x 692)
HW-N3R483612CH	51.29 x 36.62 x 14.43 (1303 x 930 x 367)	48.33 x 36.22 x 13.25 (1228 x 920 x 336)	50.12 x 29.25 (1273 x 743)	12.25 (311)	43.25 (1099)	31.25 (794)	45.25 x 32.00 (1149 x 813)
HW-N3R483616CH	51.29 x 36.62 x 18.43 (1303 x 930 x 468)	48.33 x 36.22 x 17.25 (1228 x 920 x 438)	50.12 x 29.25 (1273 x 743)	16.25 (413)	43.25 (1099)	31.25 (794)	45.25 x 32.00 (1149 x 813)

Dimensions in inches (millimeters); letters in table correspond to letters on dimensional drawings. Mounting hole dimension is .50" (12.7mm).

NUMBER OF LATCHES	
PART NUMBER	NUMBER OF LATCHES
HW-N3R242410CH	2
HW-N3R302008CH	2
HW-N3R302010CH	2
HW-N3R302410CH	2
HW-N3R302412CH	2
HW-N3R363008CH	3
HW-N3R363010CH	3
HW-N3R363012CH	3
HW-N3R483612CH	3



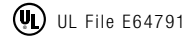
CONTROL SERIES NON-METALLIC ENCLOSURES NEMA TYPE 4X, HINGED COVER WITH TWIST-LOCK LATCHES



HW-N4X242008CH

Industry Standards

- UL/cUL 50/508, Types 1, 3, 3R, 4X, 12
- CSA Standard C22.2 Types 1, 3, 3R, 4x, 12
- NEMA Standard 250 Types 1, 3, 3R, 4x, 12
- Temperature Range: -40°F to 250°F (-40°C to 120°C)
- Flammability Rating: UL94-5V
- Non-flame propagating



FEATURES-SPECIFICATIONS

Construction

- Hot compression molded fiberglass reinforced polyester
- Poured polyurethane seamless gasket provides watertight, dust-tight environmental seal
- 300 Series stainless steel used on all external hardware
- Panel mounting capability for fixed rear panel

- Bosses with threaded brass inserts accept 3/8 - 16 screws
- Integral mounting feet
- Rounded edges, minimal protrusions or exposed pocket areas for accumulation of dust or debris
- Dust-tight, watertight, non-corrosive environmental design
- Twist lock latches for easy entry
- Built-in padlock hasp

- Non-conductive, impact resistant, UV resistant
- Smooth surface, no color variations, swirls or color pockets, no voids
- Color: Gray

Accessories

- See pages E59-E61

NEMA 4X CONTROL ENCLOSURES WITH TWIST-LOCK LATCHES					
PART NUMBER	ENCLOSURE OVERALL SIZE HxWxD	ENCLOSURE INSIDE AxBxC	WT.	CARBON STEEL SUBPANEL	ALUMINUM SUBPANEL
HW-N4X161007CH	18.75 x 10.96 x 9.03 (476 x 278 x 229)	15.92 x 10.27 x 8.53 (404 x 261 x 217)	12 lbs.	HW-WM1610CS	HW-WM1610A
HW-N4X201612CH	22.75 x 16.87 x 13.77 (578 x 429 x 350)	19.70 x 16.04 x 13.24 (500 x 407 x 336)	24 lbs.	HW-WM2016CS	HW-WM2016A
HW-N4X241206CH	26.95 x 13.72 x 7.98 (685 x 348 x 203)	24.00 x 12.87 x 7.33 (610 x 327 x 186)	21 lbs.	HW-WM2412CS	HW-WM2412A
HW-N4X241210CH	26.95 x 13.72 x 11.99 (685 x 348 x 304)	24.00 x 12.87 x 11.33 (610 x 327 x 288)	25 lbs.	HW-WM2412CS	HW-WM2412A
HW-N4X242008CH	27.00 x 21.24 x 9.90 (686 x 539 x 252)	24.05 x 20.39 x 9.25 (611 x 518 x 235)	32 lbs.	HW-WM2420CS	HW-WM2420A
HW-N4X242410CH	27.00 x 25.24 x 11.90 (686 x 641 x 302)	24.05 x 24.39 x 11.25 (611 x 619 x 286)	42 lbs.	HW-WM2424CS	HW-WM2424A
HW-N4X242412CH	27.00 x 25.24 x 13.90 (686 x 641 x 353)	24.05 x 24.39 x 13.25 (611 x 619 x 336)	43 lbs.	HW-WM2424CS	HW-WM2424A
HW-N4X302006CH	32.86 x 20.99 x 7.89 (835 x 533 x 200)	29.90 x 20.14 x 7.23 (760 x 511 x 184)	34 lbs.	HW-WM3020CS	HW-WM3020A
HW-N4X302008CH	32.86 x 20.99 x 9.89 (835 x 533 x 251)	29.90 x 20.14 x 9.23 (760 x 511 x 234)	36 lbs.	HW-WM3020CS	HW-WM3020A
HW-N4X302010CH	32.86 x 20.99 x 11.89 (835 x 533 x 302)	29.90 x 20.14 x 11.23 (760 x 511 x 285)	39 lbs.	HW-WM3020CS	HW-WM3020A
HW-N4X302012CH	32.86 x 20.99 x 13.89 (835 x 533 x 353)	29.90 x 20.14 x 13.23 (760 x 511 x 336)	48 lbs.	HW-WM3020CS	HW-WM3020A
HW-N4X302408CH	33.41 x 26.32 x 8.81 (849 x 668 x 224)	30.46 x 25.47 x 8.12 (774 x 647 x 206)	45 lbs.	HW-WM3024CS	HW-WM3024A
HW-N4X302410CH	33.41 x 26.32 x 11.95 (849 x 668 x 304)	30.46 x 25.47 x 11.27 (774 x 647 x 286)	50 lbs.	HW-WM3024CS	HW-WM3024A
HW-N4X302412CH	33.41 x 26.32 x 13.79 (849 x 668 x 350)	30.46 x 25.47 x 13.10 (774 x 647 x 333)	54 lbs.	HW-WM3024CS	HW-WM3024A
HW-N4X363008CH	39.31 x 32.50 x 10.05 (999 x 826 x 255)	36.31 x 31.69 x 9.36 (922 x 805 x 238)	75 lbs.	HW-WM3630CS	HW-WM3630A
HW-N4X363010CH	39.31 x 32.50 x 12.05 (999 x 826 x 306)	36.31 x 31.69 x 11.36 (922 x 805 x 289)	78 lbs.	HW-WM3630CS	HW-WM3630A
HW-N4X363012CH	39.31 x 32.50 x 14.05 (999 x 826 x 357)	36.31 x 31.69 x 13.36 (922 x 805 x 339)	81 lbs.	HW-WM3630CS	HW-WM3630A

Note: Subpanels must be ordered separately. Dimensions in inches (millimeters).

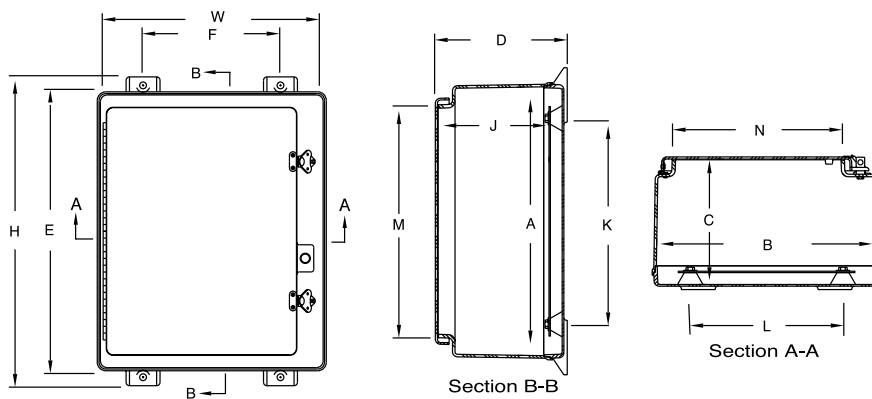
CONTROL SERIES NON-METALLIC ENCLOSURES NEMA TYPE 4X, HINGED COVER WITH TWIST-LOCK LATCHES

E53

DIMENSIONS FOR NEMA 4X CONTROL ENCLOSURES WITH TWIST-LOCK LATCHES							
PART NUMBER	ENCLOSURE OVERALL SIZE HxWxD	ENCLOSURE INSIDE AxBxC	MOUNTING EXF	J	K	L	ENCLOSURE OPENING MxN
HW-N4X161007CH	18.75 x 10.96 x 9.03 (476 x 278 x 229)	15.92 x 10.27 x 8.53 (404 x 261 x 217)	17.50 x 7.00 (444 x 178)	7.8 (198)	12 (305)	7.5 (191)	13.14 x 6.00 (334 x 152)
HW-N4X201612CH	22.75 x 16.87 x 13.77 (578 x 429 x 350)	19.70 x 16.04 x 13.24 (500 x 407 x 336)	21.50 x 10.12 (546 x 257)	12.26 (312)	15.25 (387)	11.25 (286)	16.75 x 12.19 (425 x 310)
HW-N4X241206CH	26.95 x 13.72 x 7.98 (685 x 348 x 203)	24.00 x 12.87 x 7.33 (610 x 327 x 186)	25.75 x 6.25 (654 x 159)	6.33 (161)	19.25 (489)	7.25 (184)	21.00 x 8.37 (533 x 213)
HW-N4X241210CH	26.95 x 13.72 x 11.99 (685 x 348 x 304)	24.00 x 12.87 x 11.33 (610 x 327 x 288)	25.75 x 6.25 (654 x 159)	10.33 (262)	19.25 (489)	7.25 (184)	21.00 x 8.37 (533 x 213)
HW-N4X242008CH	27.00 x 21.24 x 9.90 (686 x 539 x 252)	24.05 x 20.39 x 9.25 (611 x 518 x 235)	25.75 x 14.00 (654 x 356)	8.25 (209)	19.25 (489)	15.25 (387)	21.25 x 16.00 (540 x 406)
HW-N4X242410CH	27.00 x 25.24 x 11.90 (686 x 641 x 302)	24.05 x 24.39 x 11.25 (611 x 619 x 286)	25.75 x 17.87 (654 x 454)	10.25 (260)	19.25 (489)	19.25 (489)	21.25 x 20.00 (540 x 508)
HW-N4X242412CH	27.00 x 25.24 x 13.90 (686 x 641 x 353)	24.05 x 24.39 x 13.25 (611 x 619 x 336)	25.75 x 17.87 (654 x 454)	12.25 (311)	19.25 (489)	19.25 (489)	21.25 x 20.00 (540 x 508)
HW-N4X302006CH	32.86 x 20.99 x 7.89 (835 x 533 x 200)	29.90 x 20.14 x 7.23 (760 x 511 x 184)	30.75 x 14.25 (806 x 362)	6.23 (158)	25.25 (641)	15.25 (387)	27.00 x 16.50 (686 x 419)
HW-N4X302008CH	32.86 x 20.99 x 9.89 (835 x 533 x 251)	29.90 x 20.14 x 9.23 (760 x 511 x 234)	31.75 x 14.25 (806 x 362)	8.23 (209)	25.25 (641)	15.25 (387)	27.00 x 16.50 (686 x 419)
HW-N4X302010CH	32.86 x 20.99 x 11.89 (835 x 533 x 302)	29.90 x 20.14 x 11.23 (760 x 511 x 285)	31.75 x 14.25 (806 x 362)	10.23 (260)	25.25 (641)	15.25 (387)	27.00 x 16.50 (686 x 419)
HW-N4X302012CH	32.86 x 20.99 x 13.89 (835 x 533 x 353)	29.90 x 20.14 x 13.23 (760 x 511 x 336)	31.75 x 14.25 (806 x 362)	12.23 (311)	25.25 (641)	15.25 (387)	27.00 x 16.50 (686 x 419)
HW-N4X302408CH	33.41 x 26.32 x 8.81 (849 x 668 x 224)	30.46 x 25.47 x 8.12 (774 x 647 x 206)	32.25 x 18.50 (819 x 470)	7.12 (181)	25.25 (641)	19.25 (489)	27.38 x 21.25 (695 x 540)
HW-N4X302410CH	33.41 x 26.32 x 11.95 (849 x 668 x 304)	30.46 x 25.47 x 11.27 (774 x 647 x 286)	32.25 x 18.50 (819 x 470)	10.27 (261)	25.25 (641)	19.25 (489)	27.38 x 21.25 (695 x 540)
HW-N4X302412CH	33.41 x 26.32 x 13.79 (849 x 668 x 350)	30.46 x 25.47 x 13.10 (774 x 647 x 333)	32.25 x 18.50 (819 x 470)	12.1 (307)	25.25 (641)	19.25 (489)	27.38 x 21.25 (695 x 540)
HW-N4X363008CH	39.31 x 32.50 x 10.05 (999 x 826 x 255)	36.31 x 31.69 x 9.36 (922 x 805 x 238)	38.13 x 23.88 (968 x 606)	8.36 (212)	31.25 (794)	25.25 (641)	33.25 x 27.25 (845 x 692)
HW-N4X363010CH	39.31 x 32.50 x 12.05 (999 x 826 x 306)	36.31 x 31.69 x 11.36 (922 x 805 x 289)	38.13 x 23.88 (968 x 606)	10.36 (263)	31.25 (794)	25.25 (641)	33.25 x 27.25 (845 x 692)
HW-N4X363012CH	39.31 x 32.50 x 14.05 (999 x 826 x 357)	36.31 x 31.69 x 13.36 (922 x 805 x 339)	38.13 x 23.88 (968 x 606)	12.36 (314)	31.25 (794)	25.25 (641)	33.25 x 27.25 (845 x 692)

Note: Subpanels must be ordered separately. Dimensions in inches (millimeters); letters in table correspond to letters on dimensional drawings.

NUMBER OF LATCHES	
BASE PART NUMBER	NUMBER OF LATCHES
HW-N4X1610	2
HW-N4X2016	2
HW-N4X2412	2
HW-N4X2420	4
HW-N4X2424	4
HW-N4X3020	5
HW-N4X3024	5
HW-N4X3630	5




CONTROL SERIES NON-METALLIC ENCLOSURES NEMA TYPE 4X, SINGLE HINGED DOOR WITH TWIST LATCHES



Industry Standards

- UL/cUL 50/508, Types 1, 3R
- CSA Standard C22.2 Types 1, 3R
- NEMA Standard 250 Types 1, 3R
- Temperature Range: -40°F to 250°F (-40°C to 120°C)
- Flammability Rating: UL94-5V
- Non-flame propagating

 UL File E64791

 CSA File 222873

FEATURES-SPECIFICATIONS

Construction

- Hot compression molded fiberglass reinforced polyester, hand layup FRP
- Poured polyurethane seamless gasket provides watertight, dust-tight environmental seal
- 300 Series stainless steel used on all external hardware
- Panel mounting capability for fixed rear panel
- Bosses with threaded brass inserts accept 10-32 screws
- Integral mounting feet

- Rounded edges, minimal protrusions or exposed pocket areas for accumulation of dust or debris
- Dust-tight, watertight, non-corrosive environmental design
- Twist lock latches for easy entry
- Built-in padlock hasp
- Non-conductive, impact resistant, UV resistant
- Smooth surface, no color variations, swirls or color pockets, no voids
- Color: Gray

Accessories

- See pages E59-E61

NEMA 4X CONTROL ENCLOSURE, SINGLE HINGED DOOR WITH TWIST LATCHES

PART NUMBER	ENCLOSURE OVERALL SIZE HxWxD	ENCLOSURE INSIDE AxBxC	WT.	CARBON STEEL SUBPANEL	ALUMINUM SUBPANEL
HW-N4X483612CH	51.29 x 36.62 x 13.93 (1303 x 930 x 354)	48.33 x 36.22 x 13.25 (1228 x 920 x 336)	98 lbs	HW-WM4836CS	HW-WM4836A
HW-N4X483616CH	51.29 x 36.62 x 17.93 (1303 x 930 x 456)	48.33 x 36.22 x 17.25 (1228 x 920 x 438)	108 lbs	HW-WM4836CS	HW-WM4836A
HW-N4X603612CH	63.50 x 36.50 x 14.12 (1613 x 927 x 359)	60.13 x 36.13 x 13.44 (1527 x 918 x 341)	145 lbs	HW-WM6036CS	HW-WM6036A
HW-N4X603616CH	63.50 x 36.50 x 18.12 (1613 x 927 x 460)	60.13 x 36.13 x 17.44 (1527 x 918 x 443)	155 lbs	HW-WM6036CS	HW-WM6036A

Note: Subpanels must be ordered separately. Dimensions in inches (millimeters).

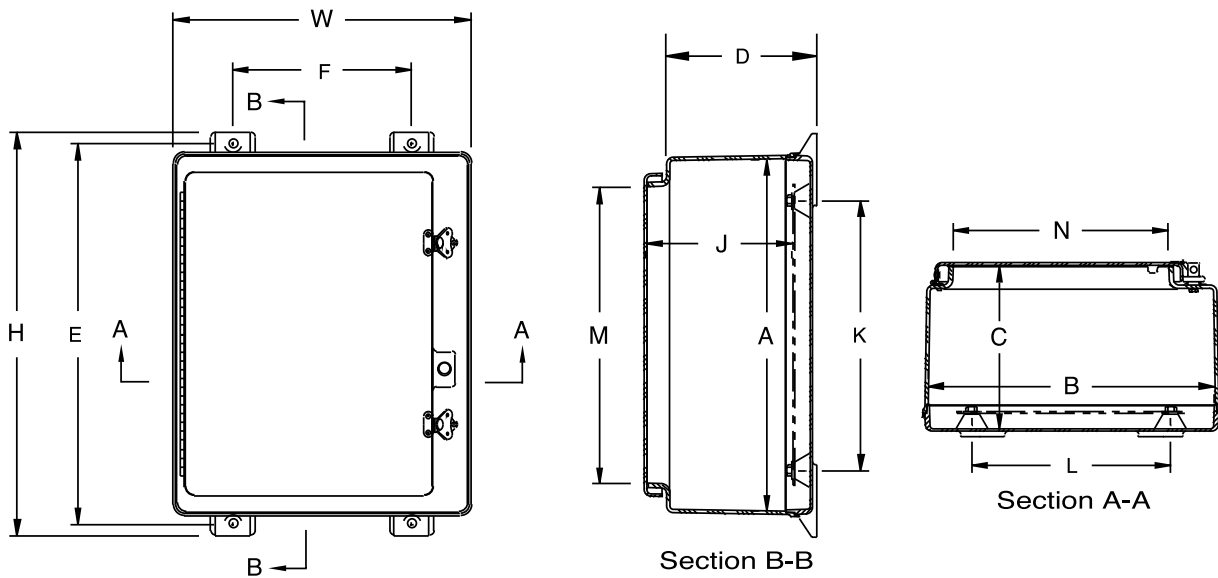
**CONTROL SERIES NON-METALLIC ENCLOSURES
NEMA TYPE 4X, SINGLE HINGED DOOR WITH TWIST LATCHES**

E55

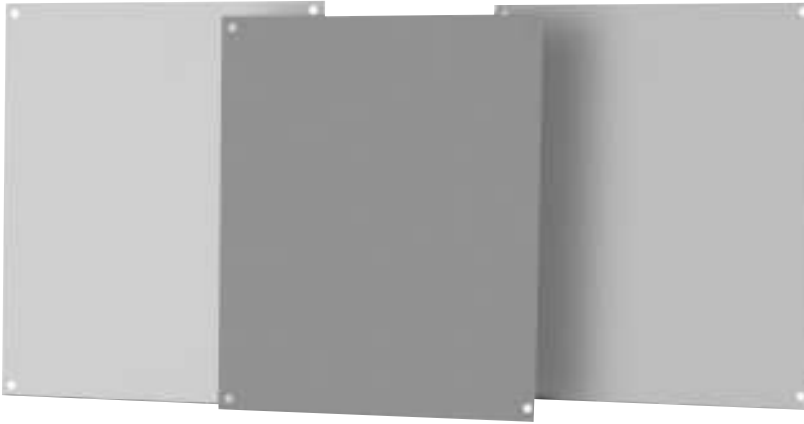


DIMENSIONS FOR NEMA 4X CONTROL ENCLOSURE, SINGLE HINGED DOOR WITH TWIST LATCHES							
PART NUMBER	ENCLOSURE OVERALL SIZE HxWxD	ENCLOSURE INSIDE AxBxC	MOUNTING ExF	J	K	L	ENCLOSURE OPENING MxN
HW-N4X483612CH	51.29 x 36.62 x 13.93 (1303 x 930 x 354)	48.33 x 36.22 x 13.25 (1228 x 920 x 336)	50.12 x 29.25 (1273 x 743)	12.25 (311)	43.25 (1099)	31.25 (794)	45.25 x 32.00 (1149 x 813)
HW-N4X483616CH	51.29 x 36.62 x 17.93 (1303 x 930 x 456)	48.33 x 36.22 x 17.25 (1228 x 920 x 438)	50.12 x 29.25 (1273 x 743)	16.25 (413)	43.25 (1099)	31.25 (794)	45.25 x 32.00 (1149 x 813)
HW-N4X603612CH	63.50 x 36.50 x 14.12 (1613 x 927 x 359)	60.13 x 36.13 x 13.44 (1527 x 918 x 341)	62.25 x 28.50 (1581 x 724)	12.44 (316)	53.06 (1348)	31.55 (787)	55.75 x 32.00 (1416 x 813)
HW-N4X603616CH	63.50 x 36.50 x 18.12 (1613 x 927 x 460)	60.13 x 36.13 x 17.44 (1527 x 918 x 443)	62.25 x 28.50 (1581 x 724)	16.44 (418)	53.06 (1348)	31.55 (787)	55.75 x 32.00 (1416 x 813)

Dimensions in inches (millimeters).



SUBPANELS NON-METALLIC ENCLOSURES
SUBPANELS FOR ALL PREMIER AND JIC NON-METALLIC ENCLOSURES



SUBPANEL SPECIFICATIONS		
SUBPANEL	MATERIAL	FINISH
Carbon Steel	Carbon Steel	White polyester powder Finish
Aluminum	3003H14 Aluminum	Mill Finish
Stainless Steel	304 Stainless	304 ANN 2 B Finish
Fiberglass	FRP (Fiberglass reinforced panel)	Gray Finish



CARBON STEEL SUBPANELS FOR ALL PREMIER AND JIC NON-METALLIC ENCLOSURES

SUBPANEL PART NUMBER	SUBPANEL SIZE HxW	ENCLOSURE SIZE HxW	BA	BB	BK	BL	BT	PANEL TYPE	NUMBER OF HOLES	HOLE DIAMETER	WT.
HW-MP604CS	4.88 x 2.88 (124 x 73)	6 x 4 (152 x 102)	4.88 (124)	2.88 (73)	4.25 (108)	2.25 (57)	0.08 (2)	FLAT	4	.25 (6.35)	5 oz.
HW-MP606CS	4.88 x 4.88 (124 x 124)	6 x 6 (152 x 152)	4.88 (124)	4.88 (124)	4.25 (108)	4.25 (108)	0.08 (2)	FLAT	4	.25 (6.35)	8 oz.
HW-MP706CS	6.00 x 4.88 (152 x 124)	7 x 6 (179 x 152)	6.00 (152)	4.88 (124)	5.38 (137)	4.25 (108)	0.08 (2)	FLAT	4	.25 (6.35)	10 oz.
HW-MP806CS	6.75 x 4.88 (152 x 124)	8 x 6 (203 x 152)	6.75 (152)	4.88 (124)	6.25 (159)	4.25 (108)	0.08 (2)	FLAT	4	.25 (6.35)	12 oz.
HW-MP808CS	6.88 x 6.88 (175 x 175)	8 x 8 (203 x 203)	6.88 (175)	6.88 (175)	6.25 (159)	6.25 (159)	0.08 (2)	FLAT	4	.25 (6.35)	12 oz.
HW-MP906CS	8.25 x 4.88 (175 x 124)	9 x 6 (229 x 152)	8.25 (210)	4.88 (124)	7.63 (194)	4.25 (108)	0.08 (2)	FLAT	4	.25 (6.35)	14 oz.
HW-MP1008CS	8.75 x 6.88 (225 x 175)	10 x 8 (254 x 203)	8.75 (225)	6.88 (175)	8.25 (210)	6.25 (159)	0.08 (2)	FLAT	4	.25 (6.35)	21 oz.
HW-MP1210CS	10.88 x 8.75 (276 x 225)	12 x 10 (305 x 254)	10.88 (276)	8.75 (225)	10.25 (260)	8.25 (210)	0.08 (2)	FLAT	4	.25 (6.35)	34 oz.
HW-MP1412CS	12.88 x 10.88 (327 x 276)	14 x 12 (356 x 305)	12.88 (327)	10.88 (276)	12.25 (311)	10.25 (260)	0.08 (2)	FLAT	4	.25 (6.35)	48 oz.
HW-MP1614CS	14.88 x 12.88 (378 x 327)	16 x 14 (406 x 356)	14.88 (378)	12.88 (327)	14.25 (362)	12.25 (311)	0.08 (2)	FLAT	4	.25 (6.35)	66 oz.
HW-MP1816CS	16.88 x 14.88 (429 x 378)	18 x 16 (457 x 406)	16.88 (429)	14.88 (378)	16.25 (413)	14.25 (362)	0.08 (2)	FLAT	4	.25 (6.35)	87 oz.
HW-MP2016CS	18.88 x 14.88 (479 x 378)	20 x 16 (508 x 406)	18.88 (479)	14.88 (378)	18.25 (464)	14.25 (362)	0.08 (2)	FLAT	4	.25 (6.35)	97 oz.

Note: Subpanels must be ordered separately. Dimensions in inches (millimeters).

FIBERGLASS SUBPANELS FOR ALL PREMIER AND JIC NON-METALLIC ENCLOSURES

SUBPANEL PART NUMBER	SUBPANEL SIZE HxW	ENCLOSURE SIZE HxW	BA	BB	BK	BL	BT	PANEL TYPE	NUMBER OF HOLES	HOLE DIAMETER	WT.
HW-MP604FG	4.88 x 2.88 (124 x 73)	6 x 4 (152 x 102)	4.88 (124)	2.88 (73)	4.25 (108)	2.25 (57)	0.08 (2)	FLAT	4	.25 (6.35)	2 oz.
HW-MP606FG	4.88 x 4.88 (124 x 124)	6 x 6 (152 x 152)	4.88 (124)	4.88 (124)	4.25 (108)	4.25 (108)	0.08 (2)	FLAT	4	.25 (6.35)	3 oz.
HW-MP806FG	6.75 x 4.88 (152 x 124)	8 x 6 (203 x 152)	6.75 (152)	4.88 (124)	6.25 (159)	4.25 (108)	0.08 (2)	FLAT	4	.25 (6.35)	4 oz.
HW-MP808FG	6.88 x 6.88 (175 x 175)	8 x 8 (203 x 203)	6.88 (175)	6.88 (175)	6.25 (159)	6.25 (159)	0.08 (2)	FLAT	4	.25 (6.35)	5 oz.
HW-MP1008FG	8.75 x 6.88 (225 x 175)	10 x 8 (254 x 203)	8.75 (225)	6.88 (175)	8.25 (210)	6.25 (159)	0.08 (2)	FLAT	4	.25 (6.35)	8 oz.
HW-MP1210FG	10.88 x 8.75 (276 x 225)	12 x 10 (305 x 254)	10.88 (276)	8.75 (225)	10.25 (260)	8.25 (210)	0.08 (2)	FLAT	4	.25 (6.35)	14 oz.
HW-MP1412FG	12.88 x 10.88 (327 x 276)	14 x 12 (356 x 305)	12.88 (327)	10.88 (276)	12.25 (311)	10.25 (260)	0.08 (2)	FLAT	4	.25 (6.35)	16 oz.
HW-MP1614FG	14.88 x 12.88 (378 x 327)	16 x 14 (406 x 356)	14.88 (378)	12.88 (327)	14.25 (362)	12.25 (311)	0.08 (2)	FLAT	4	.25 (6.35)	13 oz.
HW-MP1816FG	16.88 x 14.88 (429 x 378)	18 x 16 (457 x 406)	16.88 (429)	14.88 (378)	16.25 (413)	14.25 (362)	0.08 (2)	FLAT	4	.25 (6.35)	32 oz.
HW-MP2016GF	18.88 x 14.88 (479 x 378)	20 x 16 (508 x 406)	18.88 (479)	14.88 (378)	18.25 (464)	14.25 (362)	0.08 (2)	FLAT	4	.25 (6.35)	36 oz.

Note: Subpanels must be ordered separately. Dimensions in inches (millimeters).

SUBPANEL NON-METALLIC ENCLOSURES SUBPANELS FOR ALL PREMIER AND JIC NON-METALLIC ENCLOSURES

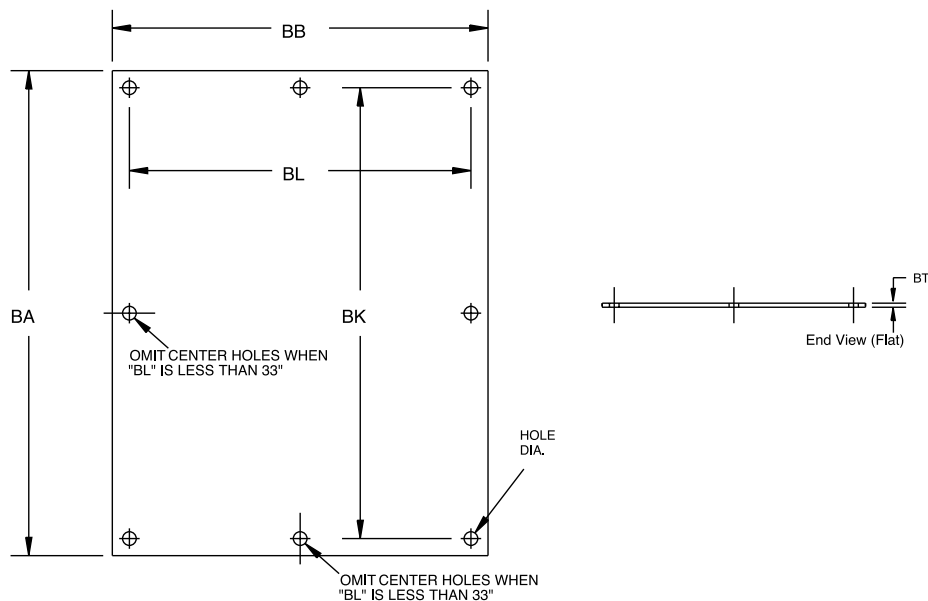
E57

STAINLESS STEEL SUBPANELS FOR ALL PREMIER AND JIC NON-METALLIC ENCLOSURES											
SUBPANEL PART NUMBER	SUBPANEL SIZE HxW	ENCLOSURE SIZE HxW	BA	BB	BK	BL	BT	PANEL TYPE	NUMBER OF HOLES	HOLE DIAMETER	WT.
HW-MP604SS	4.88 x 2.88 (124 x 73)	6 x 4 (152 x 102)	4.88 (124)	2.88 (73)	4.25 (108)	2.25 (57)	0.08 (2)	FLAT	4	.25 (6.35)	5 oz.
HW-MP606SS	4.88 x 4.88 (124 x 124)	6 x 6 (152 x 152)	4.88 (124)	4.88 (124)	4.25 (108)	4.25 (108)	0.08 (2)	FLAT	4	.25 (6.35)	8 oz.
HW-MP806SS	6.75 x 4.88 (152 x 124)	8 x 6 (203 x 152)	6.75 (152)	4.88 (124)	6.25 (159)	4.25 (108)	0.08 (2)	FLAT	4	.25 (6.35)	12 oz.
HW-MP808SS	6.88 x 6.88 (175 x 175)	8 x 8 (203 x 203)	6.88 (175)	6.88 (175)	6.25 (159)	6.25 (159)	0.08 (2)	FLAT	4	.25 (6.35)	12 oz.
HW-MP1008SS	8.75 x 6.88 (225 x 175)	10 x 8 (254 x 203)	8.75 (225)	6.88 (175)	8.25 (210)	6.25 (159)	0.08 (2)	FLAT	4	.25 (6.35)	19 oz.
HW-MP1210SS	10.88 x 8.75 (276 x 225)	12 x 10 (305 x 254)	10.88 (276)	8.75 (225)	10.25 (260)	8.25 (210)	0.08 (2)	FLAT	4	.25 (6.35)	30 oz.
HW-MP1412SS	12.88 x 10.88 (327 x 276)	14 x 12 (356 x 305)	12.88 (327)	10.88 (276)	12.25 (311)	10.25 (260)	0.08 (2)	FLAT	4	.25 (6.35)	45 oz.
HW-MP1614SS	14.88 x 12.88 (378 x 327)	16 x 14 (406 x 356)	14.88 (378)	12.88 (327)	14.25 (362)	12.25 (311)	0.08 (2)	FLAT	4	.25 (6.35)	60 oz.
HW-MP1816SS	16.88 x 14.88 (429 x 378)	18 x 16 (457 x 406)	16.88 (429)	14.88 (378)	16.25 (413)	14.25 (362)	0.08 (2)	FLAT	4	.25 (6.35)	96 oz.
HW-MP2016SS	18.88 x 14.88 (479 x 378)	20 x 16 (508 x 406)	18.88 (479)	14.88 (378)	18.25 (464)	14.25 (362)	0.08 (2)	FLAT	4	.25 (6.35)	97 oz.

Note: Subpanels must be ordered separately. Dimensions in inches (millimeters).

ALUMINUM SUBPANELS FOR ALL PREMIER AND JIC NON-METALLIC ENCLOSURES											
SUBPANEL PART NUMBER	SUBPANEL SIZE HxW	ENCLOSURE SIZE HxW	BA	BB	BK	BL	BT	PANEL TYPE	NUMBER OF HOLES	HOLE DIAMETER	WT.
HW-MP604A	4.88 x 2.88 (124 x 73)	6 x 4 (152 x 102)	4.88 (124)	2.88 (73)	4.25 (108)	2.25 (57)	0.08 (2)	FLAT	4	.25 (6.35)	2 oz.
HW-MP606A	4.88 x 4.88 (124 x 124)	6 x 6 (152 x 152)	4.88 (124)	4.88 (124)	4.25 (108)	4.25 (108)	0.08 (2)	FLAT	4	.25 (6.35)	3 oz.
HW-MP806A	6.75 x 4.88 (152 x 124)	8 x 6 (203 x 152)	6.75 (152)	4.88 (124)	6.25 (159)	4.25 (108)	0.08 (2)	FLAT	4	.25 (6.35)	4 oz.
HW-MP808A	6.88 x 6.88 (175 x 175)	8 x 8 (203 x 203)	6.88 (175)	6.88 (175)	6.25 (159)	6.25 (159)	0.08 (2)	FLAT	4	.25 (6.35)	4 oz.
HW-MP1008A	8.75 x 6.88 (225 x 175)	10 x 8 (254 x 203)	8.75 (225)	6.88 (175)	8.25 (210)	6.25 (159)	0.08 (2)	FLAT	4	.25 (6.35)	8 oz.
HW-MP1210A	10.88 x 8.75 (276 x 225)	12 x 10 (305 x 254)	10.88 (276)	8.75 (225)	10.25 (260)	8.25 (210)	0.08 (2)	FLAT	4	.25 (6.35)	12 oz.
HW-MP1412A	12.88 x 10.88 (327 x 276)	14 x 12 (356 x 305)	12.88 (327)	10.88 (276)	12.25 (311)	10.25 (260)	0.08 (2)	FLAT	4	.25 (6.35)	18 oz.
HW-MP1614A	14.88 x 12.88 (378 x 327)	16 x 14 (406 x 356)	14.88 (378)	12.88 (327)	14.25 (362)	12.25 (311)	0.08 (2)	FLAT	4	.25 (6.35)	24 oz.
HW-MP1816A	16.88 x 14.88 (429 x 378)	18 x 16 (457 x 406)	16.88 (429)	14.88 (378)	16.25 (413)	14.25 (362)	0.08 (2)	FLAT	4	.25 (6.35)	40 oz.
HW-MP2016A	18.88 x 14.88 (479 x 378)	20 x 16 (508 x 406)	18.88 (479)	14.88 (378)	18.25 (464)	14.25 (362)	0.08 (2)	FLAT	4	.25 (6.35)	39 oz.

Note: Subpanels must be ordered separately. Dimensions in inches (millimeters).



CONTROL SERIES SUBPANELS NON-METALLIC ENCLOSURES
SUBPANELS FOR CONTROL SERIES NON-METALLIC ENCLOSURES

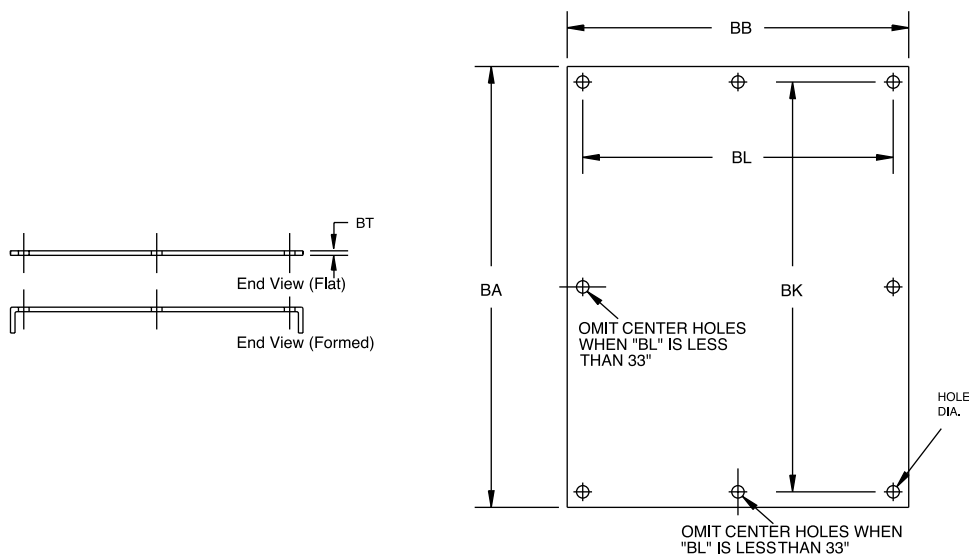


CARBON STEEL SUBPANELS FOR CONTROL SERIES NON-METALLIC ENCLOSURES											
SUBPANEL PART NUMBER	SUBPANEL SIZE HxW	ENCLOSURE SIZE HxW	BA	BB	BK	BL	BT	PANEL TYPE	NUMBER OF HOLES	HOLE DIAMETER	WT.
HW-WM1610CS	13.00 x 8.50 (330 x 216)	16 x 10 (406 x 54)	13.00 (330)	8.50 (216)	12.00 (305)	7.50 (191)	0.08 (2)	Flat	4	0.31 (8)	3.3 lbs.
HW-WM2016CS	17.00 x 13.00 (432 x 330)	20 x 16 (508 x 406)	17.00 (432)	13.00 (330)	15.25 (387)	11.25 (286)	0.09 (2)	Formed	4	0.31 (8)	6.7 lbs.
HW-WM2412CS	21.00 x 9.00 (533 x 229)	24 x 12 (610 x 305)	21.00 (533)	9.00 (229)	19.25 (489)	7.25 (184)	0.09 (2)	Formed	4	0.50 (13)	8.7 lbs.
HW-WM2420CS	21.00 x 17.00 (533 x 432)	24 x 20 (610 x 508)	21.00 (533)	17.00 (432)	19.25 (489)	15.25 (387)	0.13 (3)	Formed	4	0.50 (13)	10.8 lbs.
HW-WM2424CS	21.00 x 21.00 (533 x 533)	24 x 24 (610 x 610)	21.00 (533)	21.00 (533)	19.25 (489)	19.25 (489)	0.13 (3)	Formed	4	0.50 (13)	13.4 lbs.
HW-WM3020CS	27.00 x 17.00 (686 x 432)	30 x 20 (763 x 508)	27.00 (686)	17.00 (432)	25.25 (641)	15.25 (387)	0.13 (3)	Formed	5	0.50 (13)	14 lbs.
HW-WM3024CS	27.00 x 21.00 (686 x 533)	30 x 24 (762 x 610)	27.00 (686)	21.00 (533)	25.25 (641)	19.25 (489)	0.13 (3)	Flat	4	0.50 (13)	17 lbs.
HW-WM3630CS	33.00 x 27.00 (838 x 686)	36 x 30 (914 x 762)	33.00 (838)	27.00 (686)	31.25 (794)	25.25 (641)	0.13 (3)	Flat	4	0.50 (13)	27 lbs.
HW-WM4836CS	31.00 x 22.00 (787 x 559)	36 x 48 (914 x 1219)	31.00 (787)	22.00 (559)	29.00 (737)	20.00 (508)	0.13 (3)	Flat	8	0.50 (13)	41 lbs.
HW-WM6036CS	57.00 x 33.00 (1448 x 838)	60 x 36 (1524 x 914)	57.00 (1448)	33.00 (838)	55.25 (1403)	31.25 (794)	0.13 (3)	Flat	8	0.50 (13)	60 lbs.

Note: Subpanels must be ordered separately. Dimensions in inches (millimeters).

ALUMINUM SUBPANELS FOR CONTROL SERIES NON-METALLIC ENCLOSURES											
SUBPANEL PART NUMBER	SUBPANEL SIZE HxW	ENCLOSURE SIZE HxW	BA	BB	BK	BL	BT	PANEL TYPE	NUMBER OF HOLES	HOLE DIAMETER	WT.
HW-WM1610A	13.00 x 8.50 (330 x 216)	16 x 10 (406 x 54)	13.00 (330)	8.50 (216)	12.00 (305)	7.50 (191)	0.08 (2)	Flat	4	0.31 (8)	1 lb.
HW-WM2016A	17.00 x 13.00 (432 x 330)	20 x 16 (508 x 406)	17.00 (432)	13.00 (330)	15.25 (387)	11.25 (286)	0.09 (2)	Formed	4	0.31 (8)	2 lbs.
HW-WM2412A	21.00 x 9.00 (533 x 229)	24 x 12 (610 x 305)	21.00 (533)	9.00 (229)	19.25 (489)	7.25 (184)	0.09 (2)	Formed	4	0.50 (13)	4.5 lbs.
HW-WM2420A	21.00 x 17.00 (533 x 432)	24 x 20 (610 x 508)	21.00 (533)	17.00 (432)	19.25 (489)	15.25 (387)	0.13 (3)	Formed	4	0.50 (13)	4.5 lbs.
HW-WM2424A	21.00 x 21.00 (533 x 533)	24 x 24 (610 x 610)	21.00 (533)	21.00 (533)	19.25 (489)	19.25 (489)	0.13 (3)	Formed	4	0.50 (13)	5.5 lbs.
HW-WM3020A	27.00 x 17.00 (686 x 432)	30 x 20 (763 x 508)	27.00 (686)	17.00 (432)	25.25 (641)	15.25 (387)	0.13 (3)	Formed	5	0.50 (13)	5.8 lbs.
HW-WM3024A	27.00 x 21.00 (686 x 533)	30 x 24 (762 x 610)	27.00 (686)	21.00 (533)	25.25 (641)	19.25 (489)	0.13 (3)	Flat	4	0.50 (13)	7 lbs.
HW-WM3630A	33.00 x 27.00 (838 x 686)	36 x 30 (914 x 762)	33.00 (838)	27.00 (686)	31.25 (794)	25.25 (641)	0.13 (3)	Flat	4	0.50 (13)	11 lbs.
HW-WM4836A	31.00 x 22.00 (787 x 559)	36 x 48 (914 x 1219)	31.00 (787)	22.00 (559)	29.00 (737)	20.00 (508)	0.13 (3)	Flat	8	0.50 (13)	22 lbs.
HW-WM6036A	57.00 x 33.00 (1448 x 838)	60 x 36 (1524 x 914)	57.00 (1448)	33.00 (838)	55.25 (1403)	31.25 (794)	0.13 (3)	Formed	8	0.50 (13)	23 lbs.

Note: Subpanels must be ordered separately. Dimensions in inches (millimeters).



Note: Subpanels less than 33" wide do not have center holes as shown.



**OPTIONAL MOUNTING
FOOT KITS**

OPTIONAL MOUNTING FOOT KITS		
PART NUMBER	DESCRIPTION	WT.
HW-MGFTKIT	Mounting Foot Kit for Premier Series (4 pieces per kit)	1 oz.
HW-N4XMGFTKIT	Mounting Foot Kit for Slim Line & In-Line Series (4 pieces per kit)	1 oz.

HOLE PLUGS

HOLE PLUGS		
PART NUMBER	DESCRIPTION	WT.
HW-FGHP	Non-metallic hole plug, for .5 to .75 inch diameter hole	2 oz.
HW-FGHP-PB-075	Non-metallic hole plug for .75 to 1.00 inch diameter hole	2 oz.
HW-FGHP-100-125	Non-metallic hole plug for 1.00 to 1.25 inch diameter hole	2 oz.
HW-FGHP-150-200	Non-metallic hole plug for 1.50 to 2.00 inch diameter hole	2 oz.



DRAIN VENT

DRAIN VENT		
PART NUMBER	DESCRIPTION	WT.
HW-DV	Single Drain Vent	2 oz.
HW-DVKIT	Single Drain Vent, epoxy screws	2 oz.

STAINLESS STEEL SCREWS

STAINLESS STEEL SCREWS		
PART NUMBER	DESCRIPTION	WT.
HW-2PKSS	Stainless steel screws - pkg of 2	1 oz.
HW-4PKSS	Stainless steel screws - pkg of 4	1 oz.

VAPOR CAPSULE

VAPOR CAPSULE		
PART NUMBER	DESCRIPTION	WT.
HW-C12	Non-toxic vapor capsule prevents moisture and condensation from occurring on the interior of the enclosure for up to one year. Installs easily with a self-adhesive strip.	1 oz.



ENCAPSULATED SCREWS

ENCAPSULATED SCREWS		
PART NUMBER	DESCRIPTION	WT.
HW-2PKENCAP	PVC-encapsulated screws - pkg of 2	1 oz.
HW-4PKENCAP	PVC-encapsulated screws - pkg of 4	1 oz.

LOUVER PLATE AND KIT

LOUVER PLATE AND KIT		
PART NUMBER	DESCRIPTION	WT.
HW-LP	Louver plate only	2 oz.
HW-LPKIT	Louver plate, rivets, silicone	2 oz.

CARRYING HANDLE

CARRYING HANDLE		
PART NUMBER	DESCRIPTION	WT.
HW-Carrying Handle	Non-metallic black handle	2 oz.

NOTES

SDN12 SERIES ENCLOSURES NEMA 12 FLANGED SINGLE DOOR DISCONNECT



SDN12202108

Industry Standards

UL 508, Types 12 & 13
CSA Certified, Type 12
NEMA/EEMAC Types 12 & 13
JIC EL-1-71

 UL File E64791

 CSA File LL66078

FEATURES-SPECIFICATIONS

Applications

Designed to house the following:

- **Allen-Bradley** Bulletin 1494V disconnect switches with flange-mounted variable depth operating mechanisms and Bulletin 1494V flange-mounted variable depth operating mechanisms for circuit breakers

These enclosures will not accept Allen-Bradley Bulletin 1494F disconnect devices or Bulletin 1494D circuit breaker operators. See page F16-F17.

- **ABB Controls** flange-mounted variable depth operating mechanisms for disconnect switches and circuit breakers
- **Cutler-Hammer/Westinghouse** Type C361 flange-mounted variable depth operating mechanisms with disconnect switches and Type C371 flange-mounted variable depth operating mechanisms for circuit breakers. Also Flex Shaft™ handle mechanisms for circuit breakers
- **General Electric** Type STDA flange handles and variable depth operating mechanisms for disconnect switches and circuit breakers. Also Spectra Flex™ cable operators for circuit breakers
- **I-T-E** Max-Flex flange-mounted variable depth operating handle for disconnect switches and circuit breakers as well as some fixed depth operators for disconnect switches
- **Square D** Class 9422 disconnect switches with flange-mounted variable depth operating mechanisms or cable

mechanisms and Class 9422 flange-mounted variable depth operating mechanisms or cable mechanisms for circuit breakers.

These enclosures will not accept Square D Class 9422 bracket-mounted disconnect devices, Class 9422TGI, or TG2 devices

Construction

- Bodies and doors fabricated from 14 gauge steel
- Plasma welded seams
- Rolled lip around all sides of enclosure opening excludes liquids and contaminants
- Doors easily removed by pulling continuous hinge pin
- Polyurethane poured-in-place gasket
- External mounting feet
- Collar studs for mounting **optional** back panel
- Grounding provisions provided
- Holes are provided in body and door for mounting operating handle, operating mechanism, and door closing mechanism
- Guide brackets and interlock door catch are welded to the inside of door
- A cover latch bar is also included for door hardware
- Print pocket is provided
- Enclosures under 40" high require 2-point door hardware

- Enclosures 40" high and larger require 3-point door hardware
- Instructions to locate and install disconnect switches, circuit breakers, and operating mechanisms is provided

Finish

- ANSI 61 gray polyester powder inside and out over phosphatized surfaces
- **Optional** back panels are white polyester powder over phosphatized surfaces

Accessories

- Back panels (reference tables)
- See pages J1-J19
- Blank Adapter Plates on pages F57 and J12

IMPORTANT

- Disconnect switch or circuit breakers, operating handle, operating mechanism, and door hardware are not furnished with enclosure and must be ordered separately from the disconnect manufacturer
- Operator adapter plates are not required with this enclosure
- Disconnect and door hardware ordering information is located on page F5
- Review space occupied by disconnect drawing on page F4 and disconnect tables on pages F9-F15 to determine if the disconnect device you are using will fit the enclosure size you have selected

**SDN12 SERIES ENCLOSURES
NEMA 12 FLANGED SINGLE DOOR DISCONNECT**

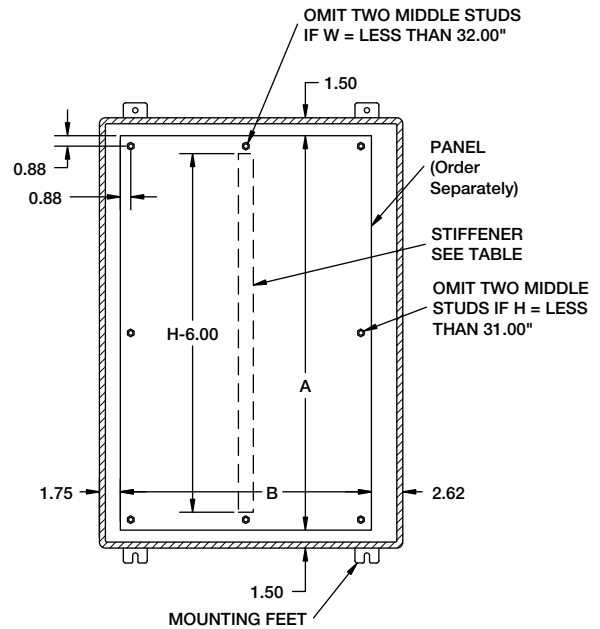
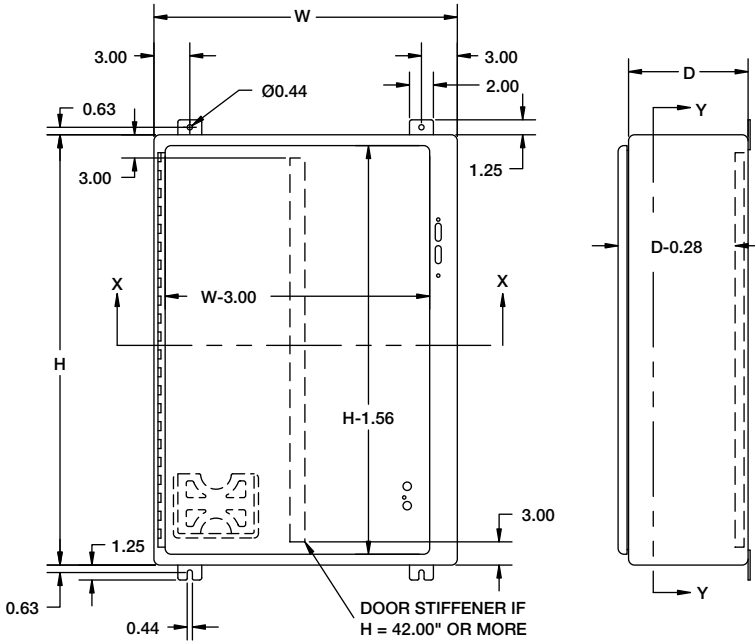
F3



SDN12 SERIES WALL-MOUNT DISCONNECTS						
CATALOG NUMBER	BODY/DOOR STEEL GAUGE	ENCLOSURE SIZE H X W X D	BACK PANEL CATALOG NUMBER*	BACK PANEL SIZE A X B	STIFFENER	
					DOOR	BODY
SDN12202108	14/14	20.00x21.38x8.13 (508x543x206)	NP2020	17.00x17.00 (432x432)	No	No
SDN12242108	14/14	24.00x21.38x8.13 (610x543x206)	NP2420	21.00x17.00 (533x432)	No	No
SDN12242508	14/14	24.00x25.38x8.13 (610x645x206)	NP2424	21.00x21.00 (533x533)	No	No
SDN12302108	14/14	30.00x21.38x8.13 (762x543x206)	NP3020	27.00x17.00 (686x432)	No	No
SDN12302508	14/14	30.00x25.38x8.13 (762x645x206)	NP3024	27.00x21.00 (686x533)	No	No
SDN12362508	14/14	36.00x25.38x8.13 (914x645x206)	NP3624	33.00x21.00 (838x533)	No	No
SDN12363108	14/14	36.00x31.38x8.13 (914x797x206)	NP3630	33.00x27.00 (838x686)	No	Yes
SDN12423208	14/14	42.00x31.38x8.13 (1067x797x206)	NP4230	39.00x27.00 (991x686)	Yes	Yes
SDN12423708	14/14	42.00x37.38x8.13 (1067x949x206)	NP4236	39.00x33.00 (991x838)	Yes	Yes
SDN12483708***	14/14	48.00x37.38x8.13 (1219x949x206)	NP4836	45.00x33.00 (1143x838)	Yes	Yes
SDN12603808***	14/14	60.00x37.38x8.13 (1524x949x207)	NP6036	57.00x33.00 (1448x838)	Yes	Yes
SDN12202110	14/14	20.00x21.38x10.25 (508x543x257)	NP2020	17.00x17.00 (432x432)	No	No
SDN12242110	14/14	24.00x21.38x10.25 (610x543x257)	NP2420	21.00x17.00 (533x432)	No	No
SDN12242510	14/14	24.00x25.38x10.25 (610x645x257)	NP2424	21.00x21.00 (533x533)	No	No
SDN12302110	14/14	30.00x21.38x10.25 (762x543x257)	NP3020	27.00x17.00 (686x432)	No	No
SDN12302510	14/14	30.00x25.38x10.25 (762x645x257)	NP3024	27.00x21.00 (686x533)	No	No
SDN12362510	14/14	36.00x25.38x10.25 (914x645x257)	NP3624	33.00x21.00 (838x533)	No	No
SDN12363110	14/14	36.00x31.38x10.25 (914x797x257)	NP3630	33.00x27.00 (838x686)	No	Yes
SDN12423110	14/14	42.00x31.38x10.25 (1067x797x257)	NP4230	39.00x27.00 (991x686)	Yes	Yes
SDN12423710	14/14	42.00x37.38x10.25 (1067x949x257)	NP4236	39.00x33.00 (991x838)	Yes	Yes
SDN12483710***	14/14	48.00x37.38x10.25 (1219x949x257)	NP4836	45.00x33.00 (1143x838)	Yes	Yes
SDN12603710***	14/14	60.00x37.38x10.25 (1524x949x257)	NP6036	57.00x33.00 (1448x838)	Yes	Yes
SDN12302612	14/14	30.00x25.38x12.13 (762x645x308)	NP3024	27.00x21.00 (686x533)	No	No
SDN12363212	14/14	36.00x31.38x12.13 (914x797x308)	NP3630	33.00x27.00 (838x686)	No	Yes
SDN12423212	14/14	42.00x31.38x12.13 (1067x797x308)	NP4230	39.00x27.00 (991x686)	Yes	Yes
SDN12423812	14/14	42.00x37.38x12.13 (1067x949x308)	NP4236	39.00x33.00 (991x838)	Yes	Yes
SDN12483812***	14/14	48.00x37.38x12.13 (1219x949x308)	NP4836	45.00x33.00 (1143x838)	Yes	Yes
SDN12603812***	14/14	60.00x37.38x12.13 (1524x949x308)	NP6036	57.00x33.00 (1448x838)	Yes	Yes
SDN12603812A***	14/14	60.00x37.38x12.13 (1524x949x308)	NP6036	57.00x33.00 (1448x838)	Yes	Yes
SDN12363116	14/14	36.00x31.38x16.13 (914x797x410)	NP3630	33.00x27.00 (838x686)	No	Yes
SDN12483816***	14/14	48.00x37.38x16.13 (1219x949x410)	NP4836	45.00x33.00 (1143x838)	Yes	Yes
SDN12603816***	14/14	60.00x37.38x16.13 (1524x949x410)	NP6036	57.00x33.00 (1448x838)	Yes	Yes

* Back panels must be ordered separately.
 ** Enclosure catalog number SDN12603812A will receive only 400 amp and 600 amp Allen-Bradley 1494V disconnect switches and I-T-E Siemens 800 amp and 1200 amp circuit breakers. The 400 amp and 600 amp Allen-Bradley disconnect switch will not fit any other size enclosure from the SDN12 family. Blank Adapter plates will not fit catalog number SDN12603812A.
 *** Enclosures are supplied with closed cell neoprene gasket (not foam-in-place)
 Enclosures 12" and 16" deep can be modified to accept I-T-E Siemens 800 amp and 1200 amp circuit breakers. (When using an I-T-E Siemens circuit breaker and an enclosure with an "H" dimension of 30", 36" or 42", verify the amount of wire bend space required for both the line and load sides.) Consult factory for details.

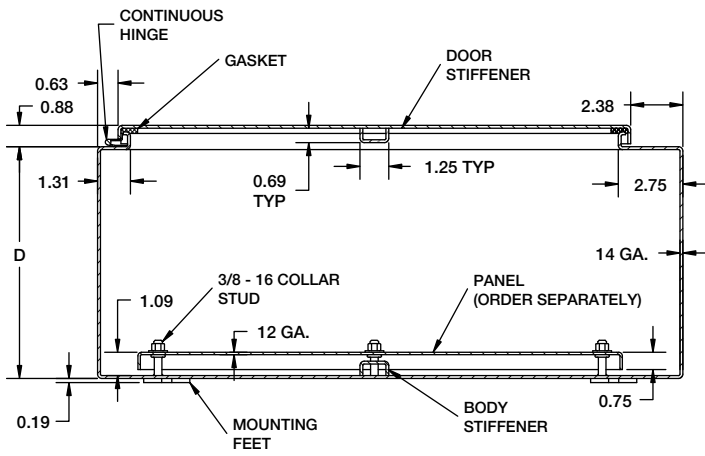
**SDN12 SERIES ENCLOSURES
NEMA 12 FLANGED SINGLE DOOR DISCONNECT**



SECTION Y-Y

Notes:

1. Large print pocket (8" x 10") is provided in each enclosure.
2. Panels are made from 12 Ga. steel.
3. Panels have flanges along all sides when either dimension exceeds 17".
4. Catalog number SDN12603812A has a larger cutout in the enclosure flange to accommodate the Allen-Bradley 1494V-H2 and I-T-E FHOHN operating handles.
5. Enclosures under 40" high require 2-point door hardware and enclosures 40" high and larger require 3-point door hardware.



SECTION X-X

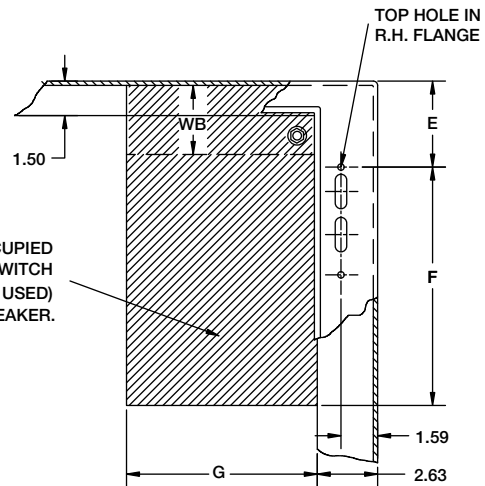
Note:

- E = 4.75 when D = 8.00
- E = 7.09 when D = 10.00
- E = 11.62 when D = 12.00 or 16.00
- E = 18.38 for SDN12603812A
- WB = Wiring Space

See Pages F9-F15 for various brands of disconnects for "F", "G", & "WB" dimensions.

Disconnects will occupy space on panel shown by dimensions "E", "F", & "G". Wiring space "WB" is available when disconnect is installed in the enclosure.

Refer to National Electrical Code 1996 article 430-10(b) for wiring space required for line side conductors to be connected to disconnect. Verify your application to determine if wiring space is adequate.



THIS SPACE IS OCCUPIED BY DISCONNECT SWITCH AND FUSE CLIP (IF USED) OR CIRCUIT BREAKER.

DISCONNECT ORDERING INFORMATION

When ordering wall-mounted disconnects from the various manufacturers, be sure to order all of the necessary items. Each company has a different system, so care is required. Order the following items from the disconnect manufacturer.

Allen-Bradley

When using a Bulletin 1494V disconnect switch, order:

- * 1. A disconnect switch with operating mechanism (Bulletin 1494V)
- * 2. Bulletin 1494-H1 operating handle (Use Bulletin 1494-H2 for enclosure catalog number SDN12603812A)
- * 3. A connecting rod [Bulletin 1494V-RA1 for 8.00" (203mm) and 10.00" (254mm) deep enclosures; Bulletin 1494V-RA2 for 12.00" (305mm) and 16.00" (406mm) deep enclosures; two of Bulletin 1494-RB2 for 400 amp or 600 amp switch in a SDN12603812A]
- * 4. A trailer fuse block kit, if required (Bulletin 1494V)
- * 5. A fuse clip kit, if required
- 6. Line and load connectors, if required
- ** 7. Door hardware (Bulletin 1494V-L1 for 2-point latching or Bulletin 1494V-L1 and 1494V-L2 for 3-point door latching)

When using a Bulletin 1494V circuit breaker operating mechanism, order:

- 1. A circuit breaker (C-H/Westinghouse)
- 2. A circuit breaker operating mechanism (Bulletin 1494V)
- 3. An operating handle (Bulletin 1494V-H11)
- 4. A connecting rod [Bulletin 1494V-RA1 for 8.00" (203mm) and 10.00" (254mm) deep enclosures or Bulletin 1494V-RA2 for 12.00" (305mm) and 16.00" (406mm) deep enclosures]
- ** 5. Door hardware (Bulletin 1494V-L1 for 2-point latching or Bulletin 1494V-L1 and 1494V-L2 for 3-point door latching)

ABB Controls

When using a disconnect switch, order:

- 1. A flange operated switch (fusible or non-fusible)
- 2. A shaft [DSFHS-12 for 8.00" (203mm), 10.00" (254mm) and 12.00" (305mm) deep enclosures or DSFHS-17 for 16.00" (406mm) deep enclosures]
- 3. A handle (DSFGN-HS12)
- ** 4. Door hardware (FH-DHK for 2-point latching or FH-DHK and FH-3RL for 3-point latching)

When using a circuit breaker, order:

- 1. A circuit breaker (ABB)
- * 2. An operating mechanism
- * 3. A shaft [FHS-12 for 8.00" (203mm), 10.00" (254mm) and 12.00" (305mm) deep enclosures or FHS-17 for 16.00" (406mm) deep enclosures]
- * 4. Handle mechanism (FHN-HS12)
- ** 5. Door hardware (FH-DHK for 2-point latching or FH-DHK and FH-3RL for 3-point latching)

* Items available from disconnect manufacturer as complete kits.

** Enclosure "A" dimension less than 40.00" (1016mm) requires a 2-point door closing mechanism. Enclosures with an "A" dimension of 40.00" or more require a 3-point latching mechanism.

Cutler-Hammer/Westinghouse

When using a Type C361 disconnect switch, order:

- * 1. A disconnect switch with an operating mechanism
- * 2. An operating handle (C361H1 or C361H3)
- ** 3. Door hardware (C361KJ4 or C361KJ6 for 2-point latching, C361KJ4 or C361KJ6 and C361KR for 3-point latching)

When using a Type C371 circuit breaker operating mechanism with a C-H/Westinghouse circuit breaker, order:

- 1. A circuit breaker
- * 2. An operating mechanism
- * 3. An operating handle
- ** 4. Door hardware (C361KJ4 or C361KJ6 for 2-point latching, C361KJ4 or C361KJ6 and C361KR for 3-point latching)

When using a C-H/ Westinghouse circuit breaker with a Flex Shaft™ handle mechanism, order:

- 1. A circuit breaker
- 2. A complete Flex Shaft™ handle mechanism
- ** 3. Door hardware (C361KJ4 or C361KJ6 for 2-point latching, C361KJ4 or C361KJ6 and C361KR for 3-point latching)

General Electric

When using a disconnect switch, order:

- 1. A disconnect switch (Type QMR or QMW)
- 2. A fuse clip kit or no-fuse kit
- 3. A flange handle (STDA1 or STDA2)
- 4. A variable depth operating mechanism
- ** 5. Door hardware (TDV1 for 2-point latching or TDV1 and TDV3 for 3-point latching)

When using a circuit breaker with a Spectra Flex™ cable operator, order:

- 1. A circuit breaker
- 2. A flange-mounted handle mechanism
- 3. A breaker-mounted mechanism
- 4. An operating cable
- ** 5. Door hardware (TDV1 for 2-point latching or TDV1 and TDV3 for 3-point latching)

When using a circuit breaker, order:

- 1. A circuit breaker
- 2. A flange handle (STDA1 or STDA2)
- 3. A variable depth operating mechanism
- ** 4. Door hardware (TDV1 for 2-point latching or TDV1 and TDV3 for 3-point latching)

I-T-E Siemens

When using a disconnect switch, order:

- 1. A basic switch (right-hand)
- 2. A fuse or no-fuse kit
- * 3. FHOHS flange-mounted handle
- * 4. Switch operator
- * 5. Cable, 36"
- ** 6. Door hardware (DKR2 for 2-point latching or DKR3 for 3-point latching)

NOTE: Some I-T-E fixed depth switch operators can be used. Contact Hubbell/Wiegmann for more information.

When using a circuit breaker, order:

- 1. A circuit breaker
- 2. Pressure wire connectors
- * 3. FHOHN flange-mounted handle (Use FHOHN for enclosure catalog number SDN12603812A)

I-T-E Siemens (cont.)

- * 4. A circuit breaker operator mechanism
- * 5. An operating cable (standard 36.00" for 125 amp to 600 amp circuit breakers, and 48.00" for 800 amp to 1200 amp circuit breakers)
- ** 6. Door hardware (DKR2 for 2-point latching or DKR2 for 3-point latching)

Square D

When using a Class 9422 disconnect switch, order:

- * 1. A disconnect switch with operating mechanism (Class 9422)
- * 2. A handle mechanism (Class 9422 Type A-1)
- ** 3. A door closing mechanism (Class 9423 Type M4 for 2-point latching, or Class 9423 Type M9 or M4 and Class 9423 Type M3 for 3-point latching)

When using a circuit breaker, order:

- 1. A circuit breaker (Square D)
- * 2. An operating mechanism (Class 9422)
- * 3. A handle mechanism (Class 9422 Type A-1)
- ** 4. A door closing mechanism (Class 9423 Type M4 for 2-point latching, or Class 9423 Type M9 or M4 and Class 9423 Type M3 for 3-point latching)

When using a Class 9422 Type "T" disconnect switch with a cable mechanism, order:

- 1. A disconnect switch with operating mechanism (Class 9422, Type T)
- 2. A handle mechanism (Class 9422, Type A-1)
- 3. A cable mechanism (Class 9422, CFT_O) 3-, 5-, or 10-foot
- ** 4. A door closing mechanism (Class 9423 Type M4 for 2-point latching, or Class 9423 Type M9 or M4 and Class 9423 Type M3 for 3-point latching)

When using a circuit breaker with a cable mechanism, order:

- 1. A circuit breaker (Square D)
- 2. A handle mechanism (Class 9422, Type A-1)
- 3. A cable mechanism (Class 9422, CFT_O) 3-, 5-, or 10-foot
- ** 4. A door closing mechanism (Class 9423 Type M4 for 2-point latching, or Class 9423 Type M9 or M4 and Class 9423 Type M3 for 3-point latching)

PLEASE NOTE:

- 1. Operator adapter plates are not required with enclosures on page F3.
- 2. Various other switch accessories and circuit breaker accessories are available from disconnect manufacturers. The information is subject to change without notice. Please contact Hubbell/Wiegmann or the disconnect manufacturer if there are further questions.
- 3. The "Space Occupied" tables (pages F9-F15) are based upon information supplied by disconnect manufacturers. Hubbell/Wiegmann does not assume responsibility for the accuracy of these dimensions.
- 4. Check to make certain enclosure size is adequate for disconnect mechanisms and wire bend space both above line lugs and below load lugs.

SN4 SERIES ENCLOSURES NEMA 4 FLANGED SINGLE DOOR DISCONNECT



SN4242108

Industry Standards

UL 508, Types 4, 12, & 13
CSA Certified, Types 4 & 12
NEMA/EEMAC Types 3, 4, 12, & 13
JIC EL-1-71

 UL File E64791

 CSA File LL66078

FEATURES-SPECIFICATIONS

Applications

Designed to house the following:

- **Allen-Bradley** Bulletin 1494V disconnect switches with flange-mounted variable depth operating mechanisms and Bulletin 1494V flange-mounted variable depth operating mechanisms for circuit breakers.

Allen-Bradley Bulletin 1494V-R1, -R2, and -W2 operating handles and Allen-Bradley Bulletin 1494F disconnect devices or Bulletin 1494D circuit breaker operators will not fit these enclosures.

- **ABB Controls** flange-mounted variable depth operating mechanisms for disconnect switches and circuit breakers
- **Cutler-Hammer/Westinghouse** Type C361 flange-mounted variable depth operating mechanisms with disconnect switches and Type C371 flange-mounted variable depth operating mechanisms for circuit breakers
- **General Electric** Type STDA flange handles and variable depth operating mechanisms for disconnect switches and circuit breakers. Also Spectra Flex™ cable operators for circuit breakers
- **I-T-E** Max-Flex™ flange-mounted variable depth operating handles for circuit breakers.
- **Square D** Class 9422 disconnect switches with flange-mounted variable depth operating mechanisms or

cable mechanism and Class 9422 flange-mounted variable depth operating mechanisms or cable mechanism for circuit breakers.

Bulletin A19 enclosures will not accept Square D Class 9422 bracket-mounted disconnect devices, 9422TGI, or TG2 devices

Construction

- Bodies and doors fabricated from 14 gauge steel
- Plasma welded seams
- Rolled lip around all sides of enclosure opening excludes liquids and contaminants
- All exterior hardware is stainless steel
- Stainless steel door clamps are provided around three sides of doors for a watertight seal, additional door hardware is not required
- Body and door stiffeners provided in larger enclosures for extra rigidity
- Doors easily removed by pulling continuous hinge pin
- Polyurethane poured-in-place gasket
- External mounting feet.
- Collar studs for mounting **optional** back panel
- Grounding provisions provided
- Bracket welded to door for attaching disconnect interlock door catch
- Holes provided in body for mounting disconnect operating handle and operating mechanism. These

enclosures are designed to operate properly without the use of door hardware

- Print pocket is provided

Finish

- ANSI 61 gray polyester powder inside and out over phosphatized surfaces
- **Optional** back panels are white polyester powder over phosphatized surfaces

Accessories

- Back panels (reference tables)
- See pages J1-J19
- Blank Adapter Plates on pages F57 and J12

IMPORTANT

- Disconnect switch or circuit breakers, operating handle, and operating mechanism are not furnished with the enclosure and must be ordered separately from the disconnect manufacturer
- Operator adapter plates are not required with this enclosure
- Disconnect ordering information is located on page F8
- Review space occupied by disconnect drawing on page F7 and disconnect tables on pages F9-F15 to determine if the disconnect device you are using will fit the enclosure size you have selected

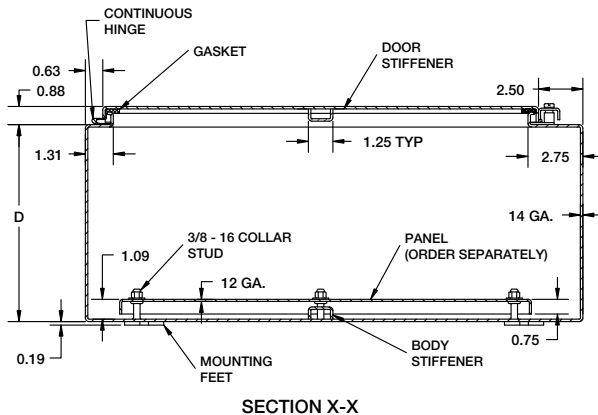
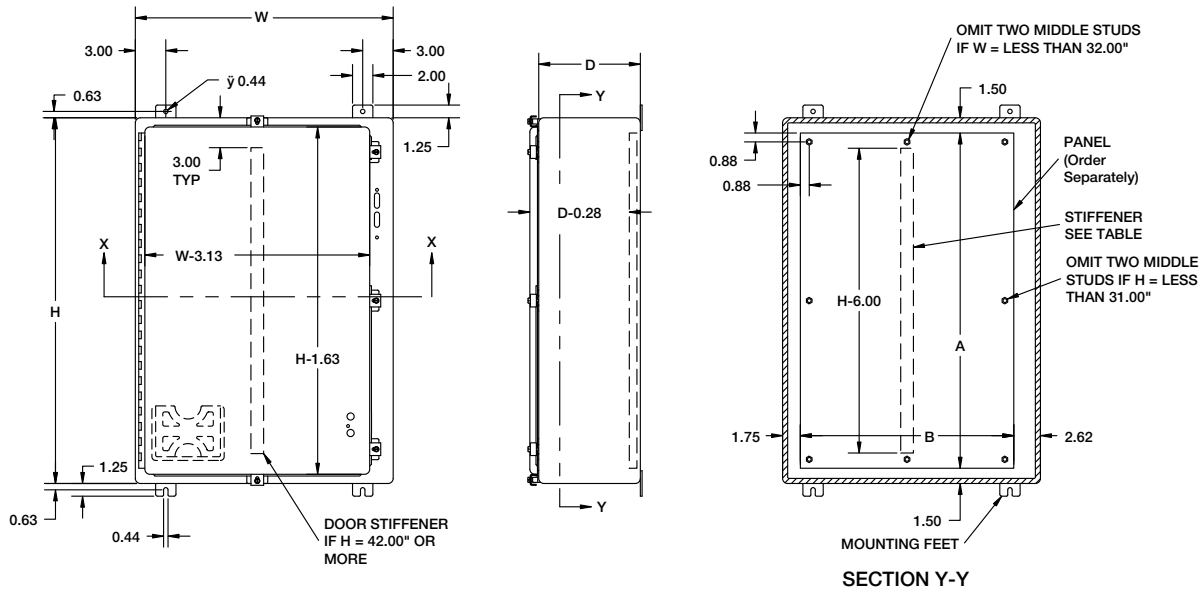
SN4 SERIES ENCLOSURES NEMA 4 FLANGED SINGLE DOOR DISCONNECT

F7

SN4 SERIES WALL-MOUNT DISCONNECTS						
CATALOG NUMBER	BODY/DOOR STEEL GAUGE	ENCLOSURE SIZE H X W X D	BACK PANEL CATALOG NUMBER*	BACK PANEL SIZE A X B	STIFFENER	
					DOOR	BODY
SN4242108	14/14	24.00x21.38x8.13 (610x543x207)	NP2420	21.00x17.00 (533x432)	No	No
SN4242508	14/14	24.00x25.38x8.13 (610x645x207)	NP2424	21.00x21.00 (533x533)	No	No
SN4302508	14/14	30.00x25.38x8.13 (762x645x207)	NP3024	27.00x21.00 (686x533)	No	No
SN4363108	14/14	36.00x31.38x8.13 (914x797x207)	NP3630	33.00x27.00 (838x686)	No	Yes
SN4423112	14/14	42.00x31.38x12.13 (1067x797x308)	NP4230	39.00x27.00 (991x686)	Yes	Yes
SN4423712	14/14	42.00x37.38x12.13 (1067x949x308)	NP4236	39.00x33.00 (991x838)	Yes	Yes
SN4483712**	14/14	48.00x37.38x12.13 (1219x949x308)	NP4836	45.00x33.00 (1143x838)	Yes	Yes
SN4603712**	14/14	60.00x37.38x12.13 (1524x949x308)	NP6036	57.00x33.00 (1448x838)	Yes	Yes

*Back panels must be ordered separately.

**Enclosures are supplied with closed cell neoprene gasket (not foam-in-place).



Notes:

1. Large print pocket (8" x 10") is provided in each enclosure.
2. Panels are made from 12 Ga. steel.
3. Panels have flanges along all sides when either dimension exceeds 17".
4. The number of door clamps is dependent on size of enclosure. Clamps are furnished along three sides of door.

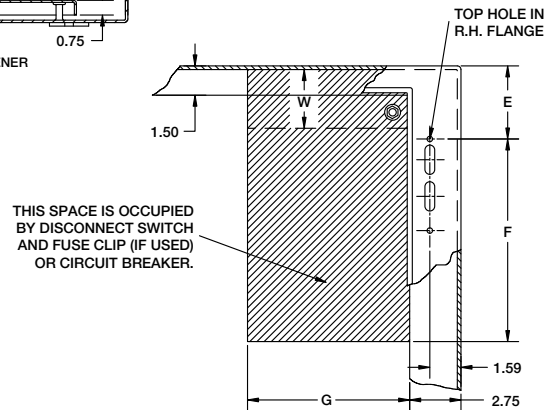
Space Occupied by Disconnect

E = 8.63 when D = 8.00
E = 11.62 when D = 12.00
WB = Wiring Space

See pages F9-F15 for various brands of disconnects for "F", "G", & "WB" dimensions.

Disconnects will occupy space on panel shown by dimensions "E", "F", & "G". Wiring space "WB" is available when disconnect is installed in the enclosure.

Refer to National Electrical Code 1996 article 430-10(b) for wiring space required for line side conductors to be connected to disconnect. Verify your application to determine if wiring space is adequate.



DISCONNECT ORDERING INFORMATION

When ordering wall-mounted disconnects from the various manufacturers, be sure to order all of the necessary items. Each company has a different system, so care is required. Order the following items from the disconnect manufacturer.

Use a Type 4 disconnect operating handle on the enclosure flange to provide corrosion resistance and maintain enclosure rating.

Allen-Bradley

When using a Bulletin 1494V disconnect switch, order:

1. A disconnect switch with operating mechanism (Bulletin 1494V)
2. An operating handle (Bulletin 1494V-W1)
3. A connecting rod [Bulletin 1494V-RA1 for 8.00" (203mm) deep enclosures; Bulletin 1494V-RA2 for 12.00" (305mm) deep enclosures]
4. A trailer fuse block kit, if required (Bulletin 1494V)
5. A fuse clip kit, if required
6. Line and load connectors, if required

When using a Bulletin 1494V circuit breaker operating mechanism, order:

1. A circuit breaker (C-H/Westinghouse)
2. A circuit breaker operating mechanism (Bulletin 1494V)
3. An operating handle (Bulletin 494V-W11)
4. A connecting rod [Bulletin 1494V-RA1 for 8.00" (203mm) deep enclosures; Bulletin 1494V-RA2 for 12.00" (305mm) deep enclosures]

ABB Controls

When using a disconnect switch, order:

1. A flange operated switch (fusible or non-fusible)
2. A shaft [DSFHS-12]
3. A handle (DSFHN-HS4)

When using a circuit breaker, order:

1. A circuit breaker (ABB)
2. An operating mechanism
3. A shaft [FHS-12]
4. A handle (FHN-HS4)

PLEASE NOTE:

1. Operator adapter plates and door hardware are not required with enclosures on page F7.
2. Various other switch accessories and circuit breaker accessories are available from disconnect manufacturers. The above information is subject to change without notice. Please contact Hubbell-Wiegmann or the disconnect manufacturer if there are further questions.
3. The "Space Occupied" tables (pages F9-F15) are based upon information supplied by disconnect manufacturers. Hubbell-Wiegmann does not assume responsibility for the accuracy of these dimensions.

* Items available from disconnect manufacturer as complete kits.

Cutler-Hammer/Westinghouse

When using a Type C361 disconnect switch, order:

1. A disconnect switch with an operating mechanism
2. An operating handle (C361H2 or C361H4)

When using a Type C371 circuit breaker operating mechanism with a C-H/Westinghouse circuit breaker, order:

1. A circuit breaker
2. An operating mechanism
3. An operating handle (C371H2 or C371H4)

When using a C-H/Westinghouse circuit breaker with a Type 4/4X Flex Shaft™ handle mechanism, order:

1. A circuit breaker
2. A complete Flex Shaft™ handle mechanism

General Electric

When using a disconnect switch, order:

1. A disconnect switch (Type QMR or QMW)
2. A fuse clip kit or no-fuse kit
3. A flange handle (STDA1X)
4. A variable depth operating mechanism

When using a circuit breaker, order:

1. A circuit breaker
2. A flange handle (STDA1X)
3. A variable depth operating mechanism

When using a circuit breaker with a Spectra Flex™ cable operator, order:

1. A circuit breaker
2. A flange-mounted handle mechanism
3. A breaker-mounted mechanism
4. An operating cable

I-T-E Siemens

When using a disconnect switch, order:

1. A basic switch (right-hand)
2. A fuse or no-fuse kit
3. A flange-mounted handle (FHOHS4)
4. Switch operator
5. Cable, 36.00"

When using a circuit breaker, order:

1. A circuit breaker
2. Pressure wire connectors
3. A flange-mounted handle (FH0H4)
4. A circuit breaker operator mechanism
5. An operating cable (standard 36.00")

Square D

When using a Class 9422 disconnect switch, order:

1. A disconnect switch with operating mechanism (Class 9422)
2. A handle mechanism (Class 9422 Type A-2 or A-1)

When using a circuit breaker, order:

1. A circuit breaker (Square D)
2. An operating mechanism (Class 9422)
3. A handle mechanism (Class 9422 Type A-2 or A-1)

When using a Class 9422 Type "T" disconnect switch with a cable mechanism, order:

1. A disconnect switch with operating mechanism (Class 9422, Type T)
2. A handle mechanism (Class 9422 Type A-1)

3. A cable mechanism (Class 9422 CFT_O) 3-, 5-, or 10-foot

When using a circuit breaker with a cable mechanism, order:

1. A circuit breaker (Square D)
2. A handle mechanism (Class 9422 Type A-1)
3. A cable mechanism (Class 9422 CFT_O) 3-, 5-, or 10-foot

**SDN12 SERIES & SN4 SERIES ENCLOSURES
DISCONNECT SPACE OCCUPIED & AVAILABLE WIRING SPACE INFORMATION**

ALLEN-BRADLEY BULLETIN 1494V DISCONNECTS										
						WIRE BEND SPACE "WB" ABOVE DISCONNECT				
						SDN12 WALL-MOUNTS (PAGE F2-F5)			SN4 WALL-MOUNTS (PAGE F6-F8)	
TYPE NUMBER	AMP RATING	FUSE CLIP	FUSE CLASS	SPACE OCCUPIED		WHEN D=8.00 WB	WHEN D=10.00 WB	WHEN D=12 OR 16 WB	WHEN D=8.00 WB	WHEN D=12.00 WB
				F	G*					
DS30	30A	No fuse	—	3.88	6.62	2.88	5.25	9.75	6.75	9.75
DS30	30A	30A-250V	H, K, R	5.25	6.62	2.88	5.25	9.75	6.75	9.75
DS30	30A	30A-600V	H, K, R	8.00	6.62	2.88	5.25	9.75	6.75	9.75
DS30	30A	30A-600V	J	5.25	6.62	2.88	5.25	9.75	6.75	9.75
DS30	30A	60A-250V	H, K	6.00	6.62	2.88	5.25	9.75	6.75	9.75
DS30	30A	60A-600V	H, K	8.50	6.62	2.88	5.25	9.75	6.75	9.75
DS30	30A	60A-600V	J	5.38	6.62	2.88	5.25	9.75	6.75	9.75
DS60	60A	No fuse	—	3.88	6.62	2.75	5.12	9.62	6.62	9.62
DS60	60A	60A-250V	H, K, R	6.00	6.62	2.75	5.12	9.62	6.62	9.62
DS60	60A	60A-600V	H, K, R	8.50	6.62	2.75	5.12	9.62	6.62	9.62
DS60	60A	60A-600V	J	5.38	6.62	2.75	5.12	9.62	6.62	9.62
DS60	60A	30A-600V	H, K, R	8.00	6.62	2.75	5.12	9.62	6.62	9.62
DS60	60A	100A-250V	H, K	8.50	6.62	2.75	5.12	9.62	6.62	9.62
DS60	60A	100A-600V	H, K	10.50	6.62	2.75	5.12	9.62	6.62	9.62
DS60	60A	100A-600V	J	7.25	6.62	2.75	5.12	9.62	6.62	9.62
DS100	100A***	No fuse	—	3.88	6.62	—	5.12	9.62	6.44	9.62
DS100	100A***	100A-250V	H, K, R	8.12	6.62	—	5.12	9.62	6.44	9.62
DS100	100A***	100A-600V	H, K, R	10.12	6.62	—	5.12	9.62	6.44	9.62
DS100	100A***	100A-600V	J	6.88	6.62	—	5.12	9.62	6.44	9.62
DS100	100A***	60A-600V	H, K, R	10.12	6.62	—	5.12	9.62	6.44	9.62
DS100	100A***	60A-600V	J	8.88	6.62	—	5.12	9.62	6.44	9.62
DS200	200A***	No fuse	—	4.75	7.88	—	—	8.12	—	8.12
DS200	200A***	200A-250V	H, K, R	10.88	7.88	—	—	8.12	—	8.12
DS200	200A***	200A-600V	H, K, R	13.38	7.88	—	—	8.12	—	8.12
DS200	200A***	200A-600V	J	9.50	7.88	—	—	8.12	—	8.12
DS200	200A***	100A-600V	H, K, R	12.00	7.88	—	—	8.12	—	8.12
DS200	200A***	100A-600V	J	8.75	7.88	—	—	8.12	—	8.12
DS400	400A**	No fuse	—	10.75	10.88	—	—	—	—	—
DS400	400A**	400A-250V	H, K, R	16.12	10.88	—	—	—	—	—
DS400	400A**	400A-600V	H, K, R	19.12	10.88	—	—	—	—	—
DS400	400A**	400A-600V	J	14.62	10.88	—	—	—	—	—
DS600	600A	No fuse	—	10.75	10.88	—	—	—	—	—
DS600	600A****	600A-250V	H, R	10.75	10.88	—	—	—	—	—
DS600	600A****	600A-600V	H, R	10.75	10.88	—	—	—	—	—
DS600	600A	600A-600V	J	17.59	10.88	—	—	—	—	—
M40	15A-150A	Westinghouse Circuit Breakers EHD, FD, FDB, FDC, HFD, HMCP	—	5.00	4.50	4.25	6.62	11.12	8.12	11.12
M50	70A-250A	Westinghouse Circuit Breakers JD, JDB, JDC, HJD, HMCP	—	9.75	4.75	—	—	10.62	—	10.62
M60	100A-400A	Westinghouse Circuit Breakers KD, KDB, KDC, HKD, HMCP	—	9.69	6.12	—	—	10.50	—	10.50

* Does not include space for optional auxiliary switch.

** The 400 amp disconnect switch and the 600 amp disconnect switch will only fit catalog number SDN12603812A (see page F2).
Wire bend space of 12.13" is provided above disconnect when installed.

*** Series B

**** "F" and "G" do not include separately mounted fuse blocks.

**SDN12 SERIES & SN4 SERIES ENCLOSURES
DISCONNECT SPACE OCCUPIED & AVAILABLE WIRING SPACE INFORMATION**

ABB CONTROLS DISCONNECT SWITCHES WITH FLANGE-MOUNTED OPERATORS										
						WIRE BEND SPACE "WB" ABOVE DISCONNECT				
						SDN12 WALL-MOUNTS (PAGE F2-F5)			SN4 WALL-MOUNTS (PAGE F6-F8)	
SWITCH NUMBER	AMP RATING	FUSE CLIP	FUSE CLASS	SPACE OCCUPIED		WHEN D=8.00 WB	WHEN D=10.00 WB	WHEN D=12 OR 16 WB	WHEN D=8.00 WB	WHEN D=12.00 WB
				F	G					
OETL-NF30-F	40A	No fuse	—	4.45	3.78	6.41	8.75	13.28	10.28	13.28
OETL-NF60-F	80A	No fuse	—	4.86	3.78	6.22	8.56	13.09	10.09	13.09
OETL-NF100-F	100A	No fuse	—	4.86	4.78	5.66	8.00	12.53	9.53	12.53
OETL-NF175-F	175A	No fuse	—	7.30	6.49	—	5.75	10.28	7.28	10.28
OETL-NF200-F	200A	No fuse	—	7.36	7.28	—	5.75	10.28	7.28	10.28
OESA-F30J6-F	30A	30A-600V	J	4.28	6.58	4.73	7.07	11.61	8.61	11.61
OESA-F60J6-F	60A	60A-600V	J	4.28	6.26	4.73	7.07	11.61	8.61	11.61
OESA-F100J6-F	100A	100A-600V	J	6.54	7.65	4.30	6.64	11.17	8.17	11.17

ABB CONTROLS CIRCUIT BREAKERS WITH FLANGE-MOUNTED OPERATORS										
						WIRE BEND SPACE "WB" ABOVE DISCONNECT				
						SDN12 WALL-MOUNTS (PAGE F2-F5)			SN4 WALL-MOUNTS (PAGE F6-F8)	
MECHANISM	AMP RATING	FRAME TYPE	SPACE OCCUPIED		WHEN D=8.00 WB	WHEN D=10.00 WB	WHEN D=12 OR 16 WB	WHEN D=8.00 WB	WHEN D=12.00 WB	
			F	G						
FHD-M	150A	D	6.92	3.94	5.29	7.64	12.17	9.17	12.17	
FHF-M	150A-225A	E/Q	5.98	4.23	3.84	6.19	10.72	7.72	10.72	
FHF-M	225A	F	7.44	4.23	3.84	6.19	10.72	7.72	10.72	
FHJ-M	400A	J	9.71	5.62	—	—	8.77	—	8.77	
FHM-M	600A	L	8.28	11.26	—	—	8.28	—	8.28	
FHM-M	800A	M	10.11	11.26	—	—	7.87	—	7.87	

CUTLER-HAMMER C361 CIRCUIT DISCONNECT SWITCHES											
						WIRE BEND SPACE "WB" ABOVE DISCONNECT					
						SDN12 WALL-MOUNTS (PAGE F2-F5)			SN4 WALL-MOUNTS (PAGE F6-F8)		
SWITCH NUMBER	TYPE NUMBER	AMP RATING	FUSE CLIP	FUSE CLASS	SPACE OCCUPIED		WHEN D=8.00 WB	WHEN D=10.00 WB	WHEN D=12 OR 16 WB	WHEN D=8.00 WB	WHEN D=12.00 WB
					F	G					
C361	NC	30A	No fuse	—	5.75	7.43	3.44	5.75	10.31	7.31	10.31
C361	SC21	30A	30A-250V	H, K, R	8.38	7.43	3.44	5.75	10.31	7.31	10.31
C361	SC61	30A	60A-250V	H, K, R	8.38	7.43	3.44	5.75	10.31	7.31	10.31
C361	SC61	30A	30A-600V	H, J, K, R	8.38	7.43	3.44	5.75	10.31	7.31	10.31
C361	ND	60A	No fuse	—	5.75	7.43	3.44	5.75	10.31	7.31	10.31
C361	SD22	60A	60A-250V	H, K, R	8.38	7.43	3.44	5.75	10.31	7.31	10.31
C361	SD22	60A	30A-600V	J	8.38	7.43	3.44	5.75	10.31	7.31	10.31
C361	SD62	60A	60A-600V	H, K, R	8.38	7.43	3.44	5.75	10.31	7.31	10.31
C361	SD62	60A	60A-600V	J	8.38	7.43	3.44	5.75	10.31	7.31	10.31
C361	NE	100A	No fuse	—	5.56	8.95	3.00	5.38	9.91	7.47	9.91
C361	SE263	100A	100A-250V	H, K, R	10.31	8.95	3.00	5.38	9.91	7.47	9.91
C361	SE263	100A	100A-600V	H, K, R	10.31	8.95	3.00	5.38	9.91	7.47	9.91
C361	SE263	100A	100A-600V	J	10.31	8.95	3.00	5.38	9.91	7.47	9.91
C361	NF*	200A	No fuse	—	13.06	10.00	—	—	7.94	4.94	7.94
C361	SF264*	200A	200A-250V	H, K, R	13.06	10.00	—	—	7.94	4.94	7.94
C361	SF264*	200A	200A-600V	H, J, K, R	13.06	10.00	—	—	7.94	4.94	7.94

*200 amp switch should be installed in an enclosure with an "H" dimension of 30.00" (762mm) or more.

**SDN12 SERIES & SN4 SERIES ENCLOSURES
DISCONNECT SPACE OCCUPIED & AVAILABLE WIRING SPACE INFORMATION**

CUTLER-HAMMER C371 CIRCUIT BREAKER OPERATORS FOR C-H/WESTINGHOUSE CIRCUIT BREAKERS									
					WIRE BEND SPACE "WB" ABOVE DISCONNECT				
					SDN12 WALL-MOUNTS (PAGE F2-F5)			SN4 WALL-MOUNTS (PAGE F6-F8)	
TYPE NUMBER	MAX AMP RATING	FRAME TYPE	SPACE OCCUPIED		WHEN D=8.00 WB	WHEN D=10.00 WB	WHEN D=12 OR 16 WB	WHEN D=8.00 WB	WHEN D=12.00 WB
			F	G					
C371E	225A	F Frame: EHD, FDB, FD, HFD, FDC	6.00	5.50	4.44	6.81	11.44	8.44	11.44
C371E	150A	F Frame: HMCP	6.00	5.50	4.44	6.81	11.44	8.44	11.44
C371F	250A	J Frame: JDB, JD, HJD, JDC	8.94	8.00	—	6.75	11.25	—	11.25
C371F	250A	J Frame: HMCP	10.94	8.00	—	6.75	11.25	—	11.25
C371F	400A	K Frame: DK, KDB, KD, HKD	9.75	8.00	—	—	10.75	—	10.75
C371F	400A	K Frame: HMCP	9.75	8.00	—	—	10.75	—	10.75
C371G	600A	L Frame: LD, HLD, LDC	8.44	11.88	—	—	9.18	—	9.18
C371G	600A	L Frame: HMCP	8.44	11.88	—	—	9.18	—	9.18

CUTLER-HAMMER FLEX SHAFT™ OPERATOR MECHANISMS FOR C-H/WESTINGHOUSE CIRCUIT BREAKERS				
COMPLETE OPERATOR MECHANISM	AMP RATING	FRAME TYPE	BREAKER HEIGHT	BREAKER WIDTH
F1S03	225A	F Frame: EHD, FDB, FD, HFD, FDC	6.00	4.12
F1S03	150A	F Frame: HMCP	6.00	4.12
F2S03	250A	J Frame: JDB, JD, HJD, JDC	10.00	4.12
F2S03	250A	J Frame: HMCP	10.00	4.12
F3S03	400A	K Frame: DK, KDB, KD, HKD	10.12	5.50
F3S03	400A	K Frame: HMCP	12.45	5.50
F4S04	600A	L Frame: LD, HLD, LDC	10.75	8.25
F4S04	600A	L Frame: HMCP	12.50	8.25
F7S04	800A	M Frame: MD, MDS	16.00	8.25
F5S04	1200A	N Frame: ND, HND, NDC	16.00	8.25
F6S04	2500A	R Frame: RD, CRD, RDC	16.00	15.50

Catalog numbers for complete mechanisms include a flange-mounted handle, flexible shaft and circuit breaker mechanism. The last digit of the catalog number denotes the length of shaft (F1S03 = 3-foot shaft). The F, J, K frame Flex Shafts™ are available in 3-foot to 10-foot lengths. The L, N, R frame Flex Shafts are available in 4-foot to 6-foot lengths.

Space Occupied by Disconnect

- The Flex Shaft™ system allows the circuit breaker to be positioned independent from the flange-mounted handle mechanism.
- Refer to **National Electrical Code® 1996** article 430-10(b) for wiring space "WB" required for line side conductors.
- Choose the length of shaft based on placement of the circuit breaker in the enclosure ensuring a 4-inch min. bending radius for the Flex Shaft™.
- Space occupied by circuit breaker is determined by overall height "X", width "Y", wire bend space "WB" and location "G" as selected from right to left.

SDN12 SERIES & SN4 SERIES ENCLOSURES DISCONNECT SPACE OCCUPIED & AVAILABLE WIRING SPACE INFORMATION

GENERAL ELECTRIC TYPE STDA OPERATORS FOR DISCONNECTS										
					WIRE BEND SPACE "WB" ABOVE DISCONNECT					
					SDN12 WALL-MOUNTS (PAGE F2-F5)			SN4 WALL-MOUNTS (PAGE F6-F8)		
MECHANISM	AMP RATING	FUSE CLIP	FUSE CLASS	SPACE OCCUPIED		WHEN D=8.00 WB	WHEN D=10.00 WB	WHEN D=12 OR 16 WB	WHEN D=8.00 WB	WHEN D=12.00 WB
				F	G					
TDOM1A	30A	No fuse	—	7.75**	5.25	6.18*	7.62	12.12	9.12	12.12
TDOM1A	30A	30A-250V	H, R	7.75**	5.25	6.18*	7.62	12.12	9.12	12.12
TDOM1B	30A	30A-600V	H, R	12.38**	5.25	6.18*	7.62	12.12	9.12	12.12
TDOM1B	30A	60A-250V	H, R	12.38**	5.25	6.18*	7.62	12.12	9.12	12.12
TDOM1B	30A	60A-600V	H, R	12.38**	5.25	6.18*	7.62	12.12	9.12	12.12
TDOM1A	60A	No fuse	—	7.75**	5.25	6.18*	7.62	12.12	9.12	12.12
TDOM1B	60A	60A-250V	H, R	12.38**	5.25	6.18*	7.62	12.12	9.12	12.12
TDOM1B	60A	60A-600V	H, R	12.38**	5.25	6.18*	7.62	12.12	9.12	12.12
TDOM1B	60A	100A-250V	H, R	12.38**	5.25	6.18*	7.62	12.12	9.12	12.12
TDOM1B	60A	100A-600V	H, R	12.38**	5.25	6.18*	7.62	12.12	9.12	12.12
TDOM1A	100A	No fuse	—	7.75**	5.25	6.18*	7.62	12.12	9.12	12.12
TDOM1B	100A	100A-250V	H, R	12.38**	5.25	6.18*	7.62	12.12	9.12	12.12
TDOM1B	100A	100A-600V	H, R	12.38**	5.25	6.18*	7.62	12.12	9.12	12.12
TDOM1B	100A	200A-250V	H, R	12.38**	5.25	6.18*	7.62	12.12	9.12	12.12
TDOM1B	100A	200A-600V	H, R	12.38**	5.25	6.18*	7.62	12.12	9.12	12.12
TDOM2	200A	No fuse	—	7.00	9.12	—	—	9.50	6.50	9.50
TDOM2	200A	200A-250V	H, R	15.38	9.12	—	—	9.50	6.50	9.50
TDOM2	200A	200A-600V	H, R	15.38	9.12	—	—	9.50	6.50	9.50

* Disconnect moved down .88" to fit on panel.

** Dimension applies to 8.00" (203mm) deep enclosures and is .88" less in deeper enclosures.

GENERAL ELECTRIC TYPE STDA OPERATORS FOR CIRCUIT BREAKERS										
OPERATORS FOR CIRCUIT BREAKERS					WIRE BEND SPACE "WB" ABOVE DISCONNECT					
					SDN12 WALL-MOUNTS (PAGE F2-F5)			SN4 WALL-MOUNTS (PAGE F6-F8)		
MECHANISM	AMP RATING	FRAME TYPE	SPACE OCCUPIED		WHEN D=8.00 WB	WHEN D=10.00 WB	WHEN D=12 OR 16 WB	WHEN D=8.00 WB	WHEN D=12.00 WB	
			F	G						
SDOM1A	150A	TEB, TED, THED	7.75**	5.25	6.06*	7.50	12.06	9.06	12.06	
SDOM1A	150A	TEC	7.75**	5.25	6.06*	7.50	12.06	9.06	12.06	
TDOM1B	150A	TB1	12.38**	5.25	6.06*	7.50	12.06	9.06	12.06	
TDOM1B	150A	TEC, TECL	12.38**	5.25	6.06*	7.50	12.06	9.06	12.06	
TDOM1C	150A	TEL	7.75**	5.25	6.06*	7.50	12.06	9.06	12.06	
TDOM1D	150A	THLC1	7.75**	5.25	—	5.12	9.62	6.62	9.62	
TDOM3	225A	TFJ	10.38	5.75	—	6.06	10.62	7.62	10.62	
TDOM3	225A	TFK, THFK, TFL	10.38	5.75	—	6.06	10.62	7.62	10.62	
TDOM4	400A	TJJ, TJK4, THJK4, TJL4V	8.25	9.38	—	5.12	9.69	6.69	9.69	
TDOM4	600A	TJK6, THJK6, TJ4V, TJL4V	8.25	9.38	—	5.12	9.69	6.69	9.69	
TDOM5	400A	TB4, TJH6S	14.25	9.38	—	5.12	9.69	6.69	9.69	
TDOM6	225A	TLB2, THLC2	11.75	9.38	—	—	9.12	6.12	9.12	
TDOM6	400A	TLB4, THLC4	11.75	9.38	—	—	7.75	4.75	7.75	
SDOM1A	150A	SPECTRA SE150	7.75**	5.25	6.06*	7.50	12.06	9.06	12.06	
SDOM3	250A	SPECTR SF250	10.38	5.75	—	6.06	10.62	7.06	10.06	
SDOM4	600A	SPECTRA SG600	10.00	7.00	—	—	7.93	—	7.93	

* Disconnect moved down .88" to fit on panel.

** Dimension applies to 8.00" (203mm) deep enclosures and is .88" less in deeper enclosures.

SDN12 SERIES & SN4 SERIES ENCLOSURES DISCONNECT SPACE OCCUPIED & AVAILABLE WIRING SPACE INFORMATION

F13

GENERAL ELECTRIC CIRCUIT BREAKERS WITH SPECTRA FLEX™ CABLE OPERATORS					
FRAME SIZE	MAXIMUM AMP RATING	CIRCUIT BREAKER HEIGHT X	CIRCUIT BREAKER WIDTH Y	SDN12 WALL-MOUNTS	SN4 WALL-MOUNTS
E150	150A	6.31	4.12	For enclosures that accept these devices, see page F2-F5.	For enclosures that accept these devices, see page F6-F8.
SE150	150A	6.31	4.12		
SF250	250A	10.12	4.12		
SG600	600A	10.09	5.50		
SK1200	1200A	15.50	8.25		

FRAME SIZE	BREAKER MECHANISM	FLANGE-MOUNTING HANDLE**	OPERATING CABLE*
E150	SCOM1A	SCH1	SC3L
SE150/SF250	SCOM1EF	SCH1	SC3L
SG600	SCOM1G	SCH1	SC3L
SK1200	SCOM1K	SCH2K	SC3H

* Operating cables are available in 3-foot to 10-foot lengths. (The number 3 in the catalog number denotes 3-foot cable.)

** Add "X" for NEMA 4 or 4X flange-mounted handle.

Space Occupied by Circuit Breaker

- The General Electric Spectra-Flex™ system allows the circuit breaker to be positioned independent from the flange-mounted handle mechanism.
- Refer to **National Electrical Code® 1996** article 430-10(b) for wiring space "WB" required for line side conductors.
- Choose the operating cable length based on placement of the circuit breaker in the enclosure ensuring a 3" minimum bending radius for the cable.
- Space occupied by circuit breaker is determined by overall circuit breaker size ("X" height and "Y" width) plus "WB" wire bend space and location "G" as selected from right to left.

I-T-E DISCONNECT SWITCHES FOR MAX-FLEX™ OPERATORS							
SWITCH	AMP RATING	FUSE CLIP	FUSE CLASS	DISCONNECT HEIGHT X	DISCONNECT WIDTH Y	SDN12 WALL-MOUNTS	SN4 WALL-MOUNTS
MCS603R	30A	No fuse	—	5.52	6.13	For enclosures that accept these devices, see page F2-F5.	For enclosures that accept these devices, see page F6-F8.
MCS603R	30A	30A-250V	H, K, R	8.11	6.13		
MCS603R	30A	30A-600V	H, K, R	10.11	6.13		
MCS603R	30A	30A-600V	J	8.48	6.13		
MCS606R	60A	No fuse	—	5.52	6.13		
MCS606R	60A	60A-250V	H, K, R	7.86	6.13		
MCS606R	60A	60A-600V	H, K, R	10.38	6.13		
MCS606R	60A	60A-600V	J	8.36	6.13		
MCS610R	100A	No fuse	—	7.59	7.38		
MCS610R	100A	100A-250V	H, K, R	11.85	7.38		
MCS610R	100A	100A-600V	H, K, R	13.85	7.38		
MCS610R	100A	100A-600V	J	10.60	7.38		
MCS620R	200A	No fuse	—	9.02	9.17		
MCS620R	200A	200A-250V	H, K, R	14.70	9.17		
MCS620R	200A	200A-600V	H, K, R	17.20	9.17		
MCS620R	200A	200A-600V	J	13.32	9.17		

SDN12 SERIES & SN4 SERIES ENCLOSURES DISCONNECT SPACE OCCUPIED & AVAILABLE WIRING SPACE INFORMATION

I-T-E CIRCUIT BREAKERS FOR MAX-FLEX™ OPERATORS					
COMPLETE OPERATOR MECHANISM	CIRCUIT BREAKER FRAME	MAXIMUM AMP RATING	CIRCUIT BREAKER HEIGHT X	CIRCUIT BREAKER WIDTH Y	CIRCUIT BREAKER TYPE
FHOE036	ED	125A	6.34	3.00	ED2, ED4, ED6, HED4, HED6
FHOE036	CED	125A	9.58	3.00	CED6
FHOF036	FD	250A	9.50	4.50	FXD6-A, FD6-A, HFD6, FXD6-ETJ, HHFD6, HHFXD6
FHOJ036	CFD	250A	14.25	4.50	CFD6, CFD6-ETI
FHOJ036	JD	400A	11.00	7.50	JXD2, JXD6, JD6, HJD6, HHJD6, HHJXD6, JXD6-ETI
FHOJ036	CJD	400A	17.86	7.50	CJD6, CJD6-ETI
FHOJ036	LD	600A	11.00	7.50	LXD6, LD6, HLD6, HHLXD6, HHLXD6, LXD6-ETI
FHOJ036	CLD	600A	17.86	7.50	CLD6, CLD6-ETI
FHOLM036	LMD	800A	16.00	9.00	LMD6, LMXD6, HLMD6, HLMXD6, LMXD6-ETI
FHON048*	MD	800A	24.00	9.00	MD2, MXD6, HMD6, HMXD6, CMD6, MXD6-ETI, CMD6-ETI
FHON048*	ND	1200A	24.00	9.00	ND6, NXD6, HND6, HNXD6, CND6

Mechanisms and circuit breakers listed above will fit any SDN12 wall-mounts on pages F2-F5, or SN4 wall-mounts on pages F6-F8 except as noted.

The last 3 digits of operator mechanism number indicates cable length in inches. Also 48" cables are available for ED, FD, JD/LD operators, and 60" cables for MD/ND, PD/RD operators.

For Type 4 applications order handle, cable and circuit breaker separately.

*This operator mechanism can only be installed in catalog number SDN12603812A (see page F3) which has the appropriate flange cutout.

Space Occupied by Disconnect

- The I-T-E Max-Flex™ cable system allows the disconnect to be positioned independent from the flange-mounted handle mechanism.
- Refer to **National Electrical Code® 1996** article 430-10(b) for wiring space "WB" required for line side conductors.
- Refer to Siemens I-T-E installation instructions for limits on disconnect location when 36-inch or 48-inch Max-Flex™ cables.
- Space occupied by disconnect is determined by overall height "X", width "Y", wire bend space "WB" and location "G" as selected from right to left.

SQUARE D CLASS 9422 DISCONNECT SWITCHES USED WITH CABLE MECHANISM 9422-CFT30 AND 9422A-1 HANDLE MECHANISM							
SWITCH	AMP RATING	FUSE CLIP	FUSE CLASS	DISCONNECT HEIGHT X	DISCONNECT WIDTH Y	SDN12 WALL-MOUNTS	SN4 WALL-MOUNTS
TCN-30	30A	No fuse	—	5.90	6.20	For enclosures that accept these devices, see page F2-F5.	For enclosures that accept these devices, see page F6-F8.
TCF-30	30A	30A-250V	H, K, R	7.50	6.20		
TCF-33	30A	30A-600V	H, K, R	10.15	6.20		
TCF-33	30A	60A-250V	H, K, R	8.15	6.20		
TCF-33	30A	30A-600V	J	7.50	6.20		
TDN-60	60A	No fuse	—	5.90	6.20		
TDF-60	60A	30A-600V	H, K, R	10.15	6.20		
TDF-60	60A	60A-250V	H, K, R	8.15	6.20		
TDF-63	60A	60A-600V	H, K, R	10.65	6.20		
TDF-63	60A	60A-600V	J	7.50	6.20		
TEN-10	100A	No fuse	—	5.90	6.20		
TEF-10	100A	100A-250V	H, K, R	10.35	6.20		
TEF-10	100A	100A-600V	H, K, R	10.35	6.20		
TEF-10	100A	100A-600V	J	10.35	6.20		

Use switches listed above with appropriate cable mechanism and 9422-A1 handle mechanism.

SQUARE D CLASS 9422 CABLE MECHANISM FOR CIRCUIT BREAKERS						
CABLE TYPE SWITCH	AMP RATING	FRAME TYPE	CIRCUIT BREAKER HEIGHT X	CIRCUIT BREAKER WIDTH Y	SDN12 WALL-MOUNTS	SN4 WALL-MOUNTS
9422 CGJ30	75A	GJL	4.75	3.50	For enclosures that accept these devices, see page F2-F5.	For enclosures that accept these devices, see page F6-F8.
9422 CGJ300	100A	GJL	4.75	3.50		
9422 CGJ30	100A	FAL, FHL	6.00	4.50		
9422 CGJ30	250A	KAL, KHL	8.00	4.50		
9422 CGJ30	400A	LAL, LHL, Q4L	11.00	6.00		

Use cable mechanism with appropriate circuit breaker and 9422-A1 handle mechanism. Cable operators are available in 3-foot, 5-foot, and 10-foot lengths. Numbers shown (30) are for 3-foot cables.

Space Occupied by Disconnect Switch or Circuit Breaker

- Square D cable mechanisms allows disconnect devices to be positioned independent from the flange-mounted handle mechanism.
- Refer to **National Electrical Code® 1996** article 430-10(b) for wiring space "WB" required for line side conductors.

- Choose cable mechanism length based on placement of disconnect in enclosure. See Square D Instruction Bulletin for minimum bend radius for cable.
- Space occupied by disconnect is determined by overall height "X", width "Y", wire bend space "WB" and location "G" as selected from right to left.

**SDN12 SERIES & SN4 SERIES ENCLOSURES
DISCONNECT SPACE OCCUPIED & AVAILABLE WIRING SPACE INFORMATION**

F15

SQUARE D CLASS 9422 DISCONNECTS										
						WIRE BEND SPACE "WB" ABOVE DISCONNECT				
						SDN12 WALL-MOUNTS (PAGE F2-F5)			SN4 WALL-MOUNTS (PAGE F6-F8)	
						TYPE NUMBER	AMP RATING	FUSE CLIP	FUSE CLASS	SPACE OCCUPIED
		F	G							
TCN-30	30A	No fuse	—	3.80	6.84	3.69	6.03	10.56	7.56	10.56
TCF-30	30A	30A-250V	H, K, R	5.53	6.84	3.69	6.03	10.56	7.56	10.56
TCF-33	30A	30A-600V	H, K, R	8.15	6.84	3.69	6.03	10.56	7.56	10.56
TCF-33	30A	60A-250V	H, K, R	6.15	6.84	3.69	6.03	10.56	7.56	10.56
TCF-33	30A	30A-600V	J	5.53	6.84	3.69	6.03	10.56	7.56	10.56
TDN-60	60A	No fuse	—	3.80	6.84	3.69	6.03	10.56	7.56	10.56
TDF-60	60A	30A-600V	H, K, R	8.15	6.84	3.69	6.03	10.56	7.56	10.56
TDF-60	60A	60A-250V	H, K, R	6.15	6.84	3.69	6.03	10.56	7.56	10.56
TDF-63	60A	60A-600V	H, K, R	8.65	6.84	3.69	6.03	10.56	7.56	10.56
TDF-63	60A	60A-600V	J	5.53	6.84	3.69	6.03	10.56	7.56	10.56
TEN-10	100A	No fuse	—	3.80	6.84	—	5.91	10.44	7.44	10.44
TEF-10	100A	100A-250V	H, K, R	8.25	6.84	—	5.91	10.44	7.44	10.44
TEF-10	100A	100A-600V	H, K, R	10.25	6.84	—	5.91	10.44	7.44	10.44
TEF-10	100A	100A-600V	J	7.05	6.84	—	5.91	10.44	7.44	10.44
TC-1	30A	No fuse	—	5.75	6.00	3.12	5.12	9.62	6.62	9.62
TC-2	30A	30A-250V	H, K, R	5.75	6.00	3.12	5.12	9.62	6.62	9.62
TC-3	30A	30A-600V	H, K, R	7.75	6.00	3.12	5.12	9.62	6.62	9.62
TC-3	30A	60A-250V	H, K, R	5.88	6.00	3.12	5.12	9.62	6.62	9.62
TC-3	30A	30A-600V	J	5.75	6.00	3.12	5.12	9.62	6.62	9.62
TD-1	60A	No fuse	—	6.38	6.62	3.62	6.00	10.50	7.50	10.50
TD-2	60A	30A-600V	H, K, R	8.50	6.62	3.62	6.00	10.50	7.50	10.50
TD-2	60A	60A-250V	H, K, R	6.50	6.62	3.62	6.00	10.50	7.50	10.50
TD-3	60A	60A-600V	H, K, R	9.00	6.62	3.62	6.00	10.50	7.50	10.50
TD-3	60A	60A-600V	J	6.38	6.62	3.62	6.00	10.50	7.50	10.50
TE-1	100A	No fuse	—	4.75	8.38	—	5.75	10.25	—	10.25
TE-2	100A	100A-250V	H, K, R	7.50	8.38	—	5.75	10.25	—	10.25
TE-2	100A	100A-600V	H, K, R	9.50	8.38	—	5.75	10.25	—	10.25
TE-2	100A	100A-600V	J	6.25	8.38	—	5.75	10.25	—	10.25
TE-3	100A	200A-600V	J	13.75	8.38	—	5.75	10.25	—	10.25
TF-1	200A	No fuse	—	5.50	11.62	—	—	8.88	—	8.88
TF-2	200A	200A-250V	H, K, R	11.50	11.62	—	—	8.88	—	8.88
TF-2	200A	200A-600V	H, K, R	14.00	11.62	—	—	8.88	—	8.88
TF-2	200A	200A-600V	J	10.12	11.62	—	—	8.88	—	8.88
TF-3	200A	400A-600V	J	14.50	11.62	—	—	8.88	—	8.88
RG-1	75A	GJL	Circuit breaker	3.53	3.74	3.59	5.93	10.47	7.47	10.47
RG-1	100A	GJL	Circuit breaker	3.53	3.74	3.59	5.93	10.47	7.47	10.47
RN-1	100A	FAL, FHL	Circuit breaker	5.12	5.25	3.75	6.12	10.62	7.62	10.62
RP-1	250A	KAL, KHL	Circuit breaker	7.12	5.62	4.25*	6.88	11.38	8.38	11.38
RR-1	400A	LAL,LHL,Q4L	Circuit breaker	7.62	8.75	—	—	7.00	—	7.00

*Not recommended except with #1 or smaller line conductors.

ABN12 SERIES ENCLOSURES NEMA 12 FLANGED SINGLE DOOR DISCONNECT



ABN12242108

Industry Standards

UL 508, Types 12 & 13
CSA Certified, Type 12
NEMA/EEMAC Types 12 & 13
JIC EL-1-71

 UL File E64791

 CSA File LL66078

FEATURES-SPECIFICATIONS

Applications

Designed to house Allen-Bradley 1494F flange-mounted disconnect switches and Bulletin 1494D flange-mounted operators for circuit breakers. Provides protection from dust, dirt, oil and water.

Construction

- Bodies and doors fabricated from 14 gauge steel
- Plasma welded seams
- Rolled lip around all sides of enclosure opening excludes liquids and contaminants
- Doors easily removed by pulling continuous hinge pin
- Polyurethane poured-in-place gasket
- External mounting feet
- Collar studs for mounting **optional** back panel
- Grounding provisions provided
- Holes are provided in body and door for mounting disconnect switch, operating mechanism and door hardware.

- Guide brackets and door catch are welded to inside of door
- Locking bars are also provided for door hardware
- Spacers and screws are provided to secure disconnect switch and fuse block adapter plate to the panel
- Print pocket is provided
- Enclosures under 40" high require 2-point door hardware
- Enclosures 40" high and larger require 3-point door hardware
- Instructions to locate and install disconnect switches, circuit breakers, and operating mechanisms is provided

Finish

- ANSI 61 gray polyester powder inside and out over phosphatized surfaces
- **Optional** back panels are white polyester powder over phosphatized surfaces

Accessories

- Back panels (reference tables)
- See pages J1-J19
- Blank Adapter Plates are on pages F57 and J12

IMPORTANT

- Disconnect switch or circuit breakers, operating handle, operating mechanism, and door hardware are not furnished with enclosure and must be ordered separately from the disconnect manufacturer
- Operator adapter plates are not required with this enclosure
- Disconnect and door hardware ordering information is located on page F18
- Review space occupied by disconnect drawing on page F18 and disconnect tables on page F19 to determine if the disconnect device you are using will fit the enclosure size you have selected

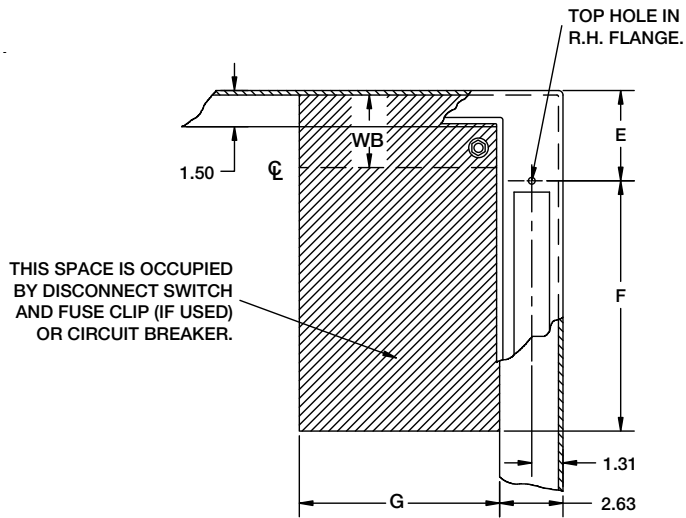
Space Occupied by Disconnect

- E = 3.84 when D = 8.00
- E = 6.75 when D = 10.00
- E = 9.50 when D = 12.00
(Except enclosures for 200 amp switches)
- E = 9.50 when D = 16.00
- E = 10.50 when D = 12.00
(Except enclosures for 200 amp switches)
- WB = Wiring Space

See page F19 for various brands of disconnects for "F", "G" & "WB" dimensions.

Disconnects will occupy space on panel shown by dimensions "E", "F" & "G". Wiring space "WB" is available when disconnect is installed in the enclosure.

Refer to *National Electrical Code*® 1996 article 430-10(b) for wiring space required for line side conductors to be connected to disconnect. Verify your application to determine if wiring space is adequate.



DISCONNECT ORDERING INFORMATION

When ordering wall-mounted disconnects from the following manufacturer, be sure to order all of the necessary items. Order the following items from the disconnect manufacturer.

Allen-Bradley

When using a Bulletin 1494F disconnect switch, order:

- *1. A disconnect switch (30A, 60A, or 100A)
2. A fuse block adapter, if required
2. Line and load connectors, if required
- **4. Door hardware (Bulletin 1494F-L1 for 2-point latching, or Bulletin 1494F-L2 and 1494F-L3 for 3-point latching)

When using a Bulletin 1494D circuit breaker operating mechanism, order:

1. A circuit breaker (C-H/Westinghouse)
2. An operating mechanism
3. A slide mechanism
- **4. Door hardware Bulletin 1494F-L1 for 2-point latching, or Bulletin 1494F-L2 and 1494F-L3 for 3-point latching)

PLEASE NOTE:

1. Operator adapter plates are not required with enclosures on page F17.
2. Various other switch accessories and circuit breaker accessories are available from disconnect manufacturers. The above information is subject to change without notice. Please contact Hubbell/Wiegmann or the disconnect manufacturer if there are further questions.
3. The "Space Occupied" tables (page F19) are based upon information supplied by the disconnect manufacturer. Hubbell/Wiegmann does not assume responsibility for the accuracy of these dimensions.

* Items available from disconnect manufacturer as complete kits.

**Enclosure "H" dimension less than 40" (1016mm) requires a 2-point door hardware (one Allen-Bradley catalog number 1494F-L1). Enclosures with an "H" dimension of 40.00-inches or more require a 3-point door hardware (one Allen-Bradley catalog number 1494F-L2 and one catalog number 1494F-L3).

**ABN12 SERIES ENCLOSURES
DISCONNECT SPACE OCCUPIED & AVAILABLE WIRING SPACE INFORMATION**

F19

ALLEN-BRADLEY 1494F DISCONNECT SWITCHES										WIRE BEND SPACE "WB" ABOVE DISCONNECT		
										ABN12 (PAGES F16-18)		
FITS ENCLOSURE DEPTH				TYPE NUMBER	AMP RATING	FUSE CLIP	FUSE CLASS	SPACE OCCUPIED		WHEN E=3.84 WB	WHEN E=6.75 WB	WHEN E=9.50 WB
8.00 (203)	10.00 (254)	12.00 (305)	16.00 (406)					F	G**			
•	•	•	•	N30	30A	No fuse	—	4.62	6.25	3.25	6.25	8.88
•	•	•	•	NF30	30A	30A-250V	H, K, R	6.25	6.25	3.25	6.25	8.88
•	•	•	•	NF30	30A	60A-250V	H, K, R	7.25	6.25	3.25	6.25	8.88
•	•	•	•	NF30	30A	30A-600V	H, K, R	9.25	6.25	3.25	6.25	8.88
•	•	•	•	NF30	30A	60A-600V	H, K, R	9.75	6.25	3.25	6.25	8.88
•	•	•	•	NF30	30A	30A-600V	J	6.50	6.25	3.25	6.25	8.88
•	•	•	•	NF30	30A	60A-600V	J	6.62	6.25	3.25	6.25	8.88
•	•	•	•	N60	60A	No fuse	—	4.62	6.25	2.50	5.25	8.12
•	•	•	•	NF60	60A	30A-600V	H, K, R	10.38	6.25	2.50	5.25	8.12
•	•	•	•	NF60	60A	60A-250V	H, K, R	8.38	6.25	2.50	5.25	8.12
•	•	•	•	NF60	60A	100A-250V	H, K, R	10.88	6.25	2.50	5.25	8.12
•	•	•	•	NF60	60A	60A-600V	H, K, R	10.88	6.25	2.50	5.25	8.12
•	•	•	•	NF60	60A	100A-600V	H, K, R	12.88	6.38	2.50	5.25	8.12
•	•	•	•	NF60	60A	60A-600V	J	7.75	6.25	2.50	5.25	8.12
•	•	•	•	NF60	60A	100A-600V	J	9.75	6.25	2.50	5.25	8.12
—	•	•	•	N100	100A	No fuse	—	4.62	7.00	—	3.50	6.25
—	•	•	•	NF100	100A	100A-250V	H, K, R	11.38	7.00	—	3.50	6.25
—	•	•	•	NF100	100A	200A-250V	H, K, R	12.25	7.25	—	3.50	6.25
—	•	•	•	NF100	100A	100A-600V	H, K, R	13.38	7.12	—	3.50	6.25
—	•	•	•	NF100	100A	200A-600V	H, K, R	14.75	7.38	—	3.50	6.25
—	•	•	•	NF100	100A	100A-600V	J	10.12	7.00	—	3.50	6.25
—	•	•	•	NF100	100A	200A-600V	J	10.88	7.25	—	3.50	6.25
—	—	•	—	N200	200A*	No fuse	—	7.12	10.00	—	—	7.00
—	—	•	—	NF200	200A*	200A-250V	H, K, R	15.00	10.00	—	—	7.00
—	—	•	—	NF200	200A*	400A-250V	H, K, R	16.56	10.38	—	—	7.00
—	—	•	—	NF200	200A*	200A-600V	H, K, R	17.56	10.00	—	—	7.00
—	—	•	—	NF200	200A*	400A-600V	H, K, R	19.56	10.62	—	—	7.00
—	—	•	—	NF200	200A*	200A-600V	J	13.69	10.00	—	—	7.00
—	—	•	—	NF200	200A*	400A-600V	J	15.00	10.25	—	—	7.00

ALLEN-BRADLEY 1494D CIRCUIT BREAKER OPERATORS										WIRE BEND SPACE "WB" ABOVE DISCONNECT		
										ABN12 (PAGES F16-F18)		
FITS ENCLOSURE DEPTH				TYPE NUMBER	FRAME RATING	BREAKER TYPE FRAME SIZE (3POLE)	SPACE OCCUPIED		WHEN E=3.84 WB	WHEN E=6.75 WB	WHEN E=9.50 WB	
8.00 (203)	10.00 (254)	12.00 (305)	16.00 (406)				F	G				
•	•	•	•	N4/N40	150A	Westinghouse EHD, FD, FDB, FDC, HFD, HMCP	5.81	4.31	3.25	6.12	8.88	
	•	•	•	N5/N55	225A	General Electric TFK, THFK, TFC	8.81	4.50	—	5.34	8.09	
	•	•	•	N5/N50	250A	C-H/Westinghouse JD, JDB, JDC, HJD, HMCP	8.81	4.50	—	5.31	8.06	
	•	•	•	N5/N60	400A	C-H/Westinghouse KD, KDB, KDC, HKD, HMCP	8.81	5.62	—	5.44	8.19	

* 200 amp switches can be installed only in 12.00-inch (305mm) deep enclosures that have provisions for 200 amp switches.

** The "G" dimension does not include space for auxiliary switches. See Allen-Bradley instructions for additional space required.

SSN4X SERIES ENCLOSURES NEMA 4X FLANGED SINGLE DOOR DISCONNECT



SSN4X242108

Industry Standards

UL 508, Types 4, 4X, 12, & 13

CSA Certified, Types 4 & 12

NEMA/EEMAC Types 4, 4X, 12, & 13

JIC EL-1-71

 UL File E64791

 CSA File LL66078

FEATURES-SPECIFICATIONS

Applications

Designed to house the following:

- **Allen-Bradley** Bulletin 1494V disconnect switches with flange-mounted variable depth operating mechanisms and Bulletin 1494V flange-mounted variable depth operating mechanisms for circuit breakers.

Allen-Bradley Bulletin 1494V-R1, -R2, and -W2 operating handles and Allen-Bradley Bulletin 1494F disconnect devices or Bulletin 1494D circuit breaker operators will not fit these enclosures

- **ABB Controls** flange-mounted variable depth operating mechanisms for disconnect switches and circuit breakers
- **Cutler-Hammer/Westinghouse** Type C361 flange-mounted variable depth operating mechanisms with disconnect switches and Type C371 flange-mounted variable depth operating mechanisms for circuit breakers. Flex Shaft™ handle operators for circuit breakers
- **General Electric** Type STDA flange handles and variable depth operating mechanisms for disconnect switches and circuit breakers. Also Spectra Flex™ cable operators for circuit breakers
- **I-T-E** Max-Flex™ flange-mounted variable depth operating handles for circuit breakers.

- **Square D** Class 9422 disconnect switches with flange-mounted variable depth operating mechanisms or cable mechanisms and Class 9422 flange-mounted variable depth operating mechanisms or cable mechanism for circuit breakers

These enclosures will not accept Square D Class 9422 bracket-mounted disconnect devices, 9422 TG1, or TG2 devices

Construction

- Bodies and doors fabricated from 14 gauge 304 stainless steel
- Continuously welded seams ground smooth
- Rolled lip around all sides of enclosure opening excludes liquids and contaminants
- All exterior hardware is stainless steel
- All interior and exterior parts of stainless steel enclosures are stainless steel except for print pocket
- Stainless steel door clamps are provided around three sides of doors for a watertight seal, additional door hardware is not required
- Body and door stiffeners provided in larger enclosures for extra rigidity
- Doors removed by pulling stainless steel continuous hinge pin
- Polyurethane poured-in-place gasket
- External mounting feet
- Collar studs for mounting **optional** back panel
- Grounding provisions provided
- Bracket welded to door for attaching disconnect interlock door catch

- Holes are provided in body for mounting disconnect operating handle and operating mechanism. These enclosures are designed to operate properly without the use of door hardware
- Print pocket is provided

Finish

- Enclosures have a grained finish on all external surfaces
- **Optional** back panels are white polyester powder over phosphatized surfaces

Accessories

- Back panels (reference tables)
- See pages J1-J19
- Blank Adapter Plates are on pages F57 and J12

IMPORTANT

- Disconnect switch or circuit breakers, operating handle, and operating mechanism are not furnished with enclosure and must be ordered separately from the disconnect manufacturer
- Operator adapter plates are not required with this enclosure
- Disconnect ordering information is located on page F22
- Review space occupied by disconnect drawing on page F21 and disconnect tables on pages F23-F29 to determine if the disconnect device you are using will fit the enclosure size you have selected

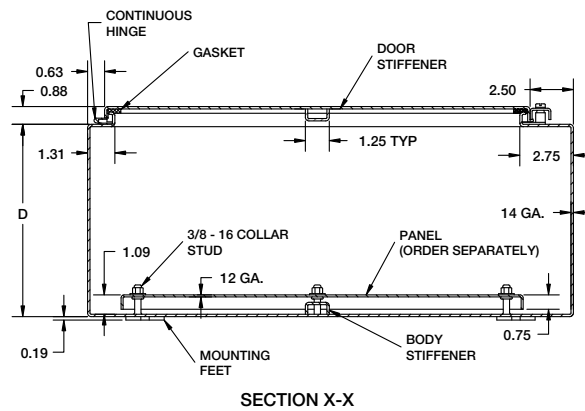
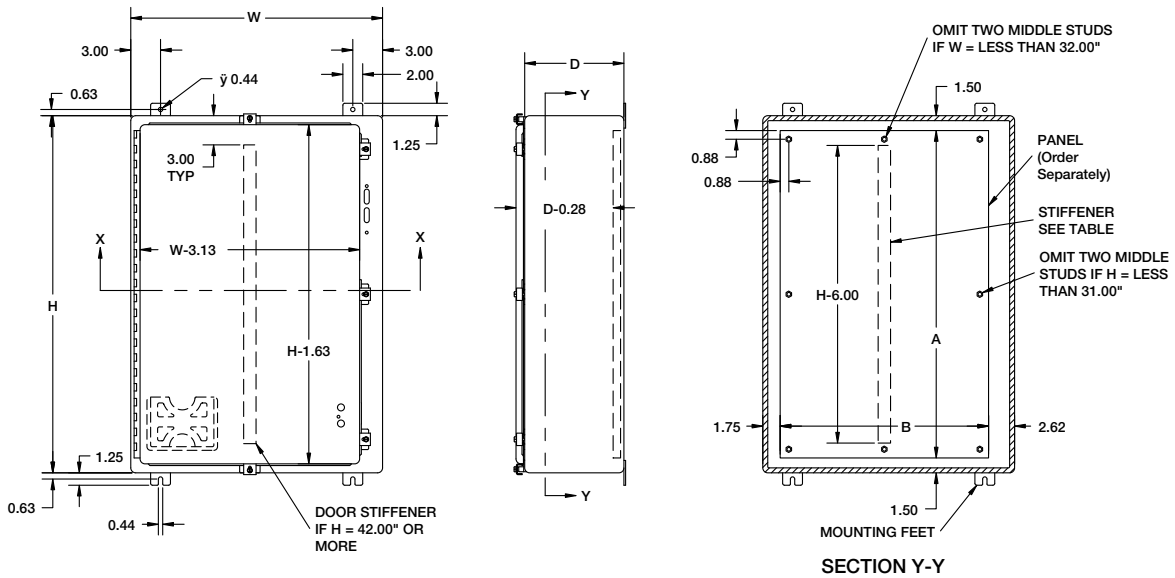
SSN4X SERIES ENCLOSURES NEMA 4X FLANGED SINGLE DOOR DISCONNECT

F21

SSN4X SERIES STAINLESS WALL-MOUNT DISCONNECTS							
CATALOG NUMBER	BODY/DOOR STEEL GAUGE	ENCLOSURE SIZE H X W X D	BACK PANEL CATALOG NUMBER*		BACK PANEL SIZE A X B	STIFFENER	
			WHITE	316 S.S.		DOOR	BODY
SSN4X242108	14/14	24.00x21.38x8.13 (610x543x207)	NP2420	NP2420SSA	21.00x17.00 (533x432)	No	No
SSN4X242508	14/14	24.00x25.38x8.13 (610x645x207)	NP2424	NP2424SSA	21.00x21.00 (533x533)	No	No
SSN4X302508	14/14	30.00x25.38x8.13 (762x645x207)	NP3024	NP3024SSA	27.00x21.00 (686x533)	No	No
SSN4X362508	14/14	36.00x25.38x8.13 (914x645x207)	NP3624	NP3624SSA	33.00x21.00 (838x533)	No	No
SSN4X363108	14/14	36.00x31.38x8.13 (914x797x207)	NP3630	NP3630SSA	33.00x27.00 (838x686)	No	Yes
SSN4X423112	14/14	42.00x31.38x12.13 (1067x797x308)	NP4230	NP4230SSA	39.00x27.00 (991x686)	Yes	Yes
SSN4X423712	14/14	42.00x37.38x12.13 (1067x949x308)	NP4236	NP4236SSA	39.00x33.00 (991x838)	Yes	Yes
SSN4X483712	14/14	48.00x37.38x12.13 (1219x949x308)	NP4836	NP4836SSA	45.00x33.00 (1143x838)	Yes	Yes
SSN4X603712**	14/14	60.00x37.38x12.13 (1524x949x308)	NP6036	NP6036SSA	57.00x33.00 (1448x838)	Yes	Yes

*Back panels must be ordered separately.

**Enclosures are supplied with closed cell neoprene gasket (not foam-in-place).



Space Occupied by Disconnect

E = 8.63 when D = 8.00
E = 11.62 when D = 12.00
WB = Wiring Space

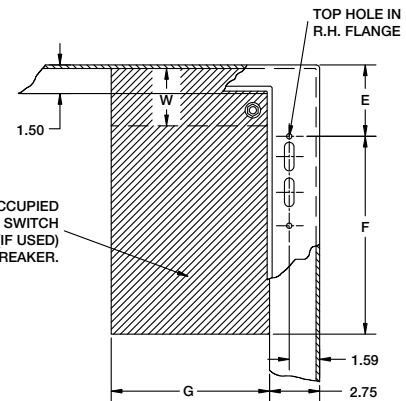
See pages F9-F15 for various brands of disconnects for "F", "G", & "WB" dimensions.

Disconnects will occupy space on panel shown by dimensions "E", "F", & "G". Wiring space "WB" is available when disconnect is installed in the enclosure.

Refer to National Electrical Code 1996 article 430-10(b) for wiring space required for line side conductors to be connected to disconnect. Verify your application to determine if wiring space is adequate.

Notes:

1. Large print pocket (8" x 10") is provided in each enclosure.
2. Panels are made from 12 Ga. steel.
3. Panels have flanges along all sides when either dimension exceeds 17".
4. The number of door clamps is dependent on size of enclosure. Clamps are furnished along three sides of door.



THIS SPACE IS OCCUPIED BY DISCONNECT SWITCH AND FUSE CLIP (IF USED) OR CIRCUIT BREAKER.

DISCONNECT ORDERING INFORMATION

When ordering wall-mounted disconnects from the various manufacturers, be sure to order all of the necessary items. Each company has a different system, so care is required. Order the following items from the disconnect manufacturer.

Use a Type 4 or 4X (stainless steel) disconnect operating handle on the enclosure flange to provide corrosion resistance and maintain enclosure rating.

Allen-Bradley

When using a Bulletin 1494V disconnect switch, order:

1. A disconnect switch with operating mechanism (Bulletin 1494V)
2. An operating handle (Bulletin 1494V-W1)
3. A connecting rod [Bulletin 1494V-RA1 for 8.00" (203mm) deep enclosures; Bulletin 1494V-RA2 for 12.00" (305mm) deep enclosures]
4. A trailer fuse block kit, if required (Bulletin 1494V)
5. A fuse clip kit, if required
6. Line and load connectors, if required

When using a Bulletin 1494V circuit breaker operating mechanism, order:

1. A circuit breaker (C-H/Westinghouse)
2. A circuit breaker operating mechanism (Bulletin 1494V)
3. An operating handle (Bulletin 1494V-W11)
4. A connecting rod [Bulletin 1494V-RA1 for 8.00" (203mm) deep enclosures; Bulletin 1494V-RA2 for 12.00" (305mm) deep enclosures]

ABB Controls

When using a disconnect switch, order:

1. A flange operated switch (fusible or non-fusible)
2. A shaft [DSFHS-12]
3. A handle (DSFHN-HS4)

When using a circuit breaker, order:

1. A circuit breaker (ABB)
- *2. An operating mechanism
- *3. A shaft [FHS-12]
- *4. A handle (FHN-HS4)

PLEASE NOTE:

1. Operator adapter plates and door hardware are not required with enclosures on page F21.
2. Various other switch accessories and circuit breaker accessories are available from disconnect manufacturers. The above information is subject to change without notice. Please contact Hubbell/Wiegmann or the disconnect manufacturer if there are further questions.
3. The "Space Occupied" tables (pages F23-F29) are based upon information supplied by disconnect manufacturers. Hubbell/Wiegmann does not assume responsibility for the accuracy of these dimensions.

* Items available from disconnect manufacturer as complete kits.

Cutler-Hammer/Westinghouse

When using a Type C361 disconnect switch, order:

- *1. A disconnect switch with an operating mechanism
- *2. An operating handle (C361H2 or C361H4)

When using a Type C371 circuit breaker operating mechanism with a C-H/Westinghouse circuit breaker, order:

1. A circuit breaker
- *2. An operating mechanism
- *3. An operating handle (C371H2 or C371H4)

When using a C-H/Westinghouse circuit breaker with a Type 4/4X Flex Shaft™ handle mechanism, order:

1. A circuit breaker
2. A complete Flex Shaft™ handle mechanism

General Electric

When using a disconnect switch, order:

1. A disconnect switch (Type QMR or QMW)
2. A fuse clip kit or no-fuse kit
3. A flange handle (STDA1X)
4. A variable depth operating mechanism

When using a circuit breaker, order:

1. A circuit breaker
2. A flange handle (STDA1X)
3. A variable depth operating mechanism

When using a circuit breaker with a Spectra Flex™ cable operator, order:

1. A circuit breaker
2. A flange-mounted handle mechanism
3. A breaker-mounted mechanism
4. An operating cable

I-T-E Siemens

When using a disconnect switch, order:

1. A basic switch (right-hand)
2. A fuse or no-fuse kit
3. A flange-mounted handle (FHOHS4)
4. Switch operator
5. Cable, 36.00"

When using a circuit breaker, order:

1. A circuit breaker
2. Pressure wire connectors
3. A flange-mounted handle (FHOH4)
4. A circuit breaker operator mechanism
5. An operating cable (standard 36.00")

Square D

When using a Class 9422 disconnect switch, order:

1. A disconnect switch with operating mechanism (Class 9422)
2. A handle mechanism (Class 9422 Type A2)

When using a circuit breaker, order:

1. A circuit breaker (Square D)
2. An operating mechanism (Class 9422)
3. A handle mechanism (Class 9422 Type A2)

When using a Class 9422 Type "T" disconnect switch with a cable mechanism, order:

1. A disconnect switch with operating mechanism (Class 9422, Type T)
2. A handle mechanism (Class 9422 Type A2)
3. A cable mechanism (Class 9422 CFT_O) 3-, 5-, or 10-foot

When using a circuit breaker with a cable mechanism, order:

1. A circuit breaker (Square D)
2. A handle mechanism (Class 9422 Type A2)
3. A cable mechanism (Class 9422 CFT_O) 3-, 5-, or 10-foot

**SSN4X SERIES ENCLOSURES
DISCONNECT SPACE OCCUPIED & AVAILABLE WIRING SPACE INFORMATION**

F23

ALLEN-BRADLEY BULLETIN 1494V DISCONNECTS							
						WIRE BEND SPACE "WB" ABOVE DISCONNECT	
						SSN4X WALL-MOUNTS (PAGES F20-F22)	
TYPE NUMBER	AMP RATING	FUSE CLIP	FUSE CLASS	SPACE OCCUPIED		WHEN D=8.00 WB	WHEN D=12.00 WB
				F	G*		
DS30	30A	No fuse	—	3.88	6.62	6.75	9.75
DS30	30A	30A-250V	H, K, R	5.25	6.62	6.75	9.75
DS30	30A	30A-600V	H, K, R	8.00	6.62	6.75	9.75
DS30	30A	30A-600V	J	5.25	6.62	6.75	9.75
DS30	30A	60A-250V	H, K	6.00	6.62	6.75	9.75
DS30	30A	60A-600V	H, K	8.50	6.62	6.75	9.75
DS30	30A	60A-600V	J	5.38	6.62	6.75	9.75
DS60	60A	No fuse	—	3.88	6.62	6.62	9.62
DS60	60A	60A-250V	H, K, R	6.00	6.62	6.62	9.62
DS60	60A	60A-600V	H, K, R	8.50	6.62	6.62	9.62
DS60	60A	60A-600V	J	5.38	6.62	6.62	9.62
DS60	60A	30A-600V	H, K, R	8.00	6.62	6.62	9.62
DS60	60A	100A-250V	H, K	8.50	6.62	6.62	9.62
DS60	60A	100A-600V	H, K	10.50	6.62	6.62	9.62
DS60	60A	100A-600V	J	7.25	6.62	6.62	9.62
DS100**	100A	No fuse	—	3.88	6.62	6.44	9.62
DS100**	100A	100A-250V	H, K, R	8.12	6.62	6.44	9.62
DS100**	100A	100A-600V	H, K, R	10.12	6.62	6.44	9.62
DS100**	100A	100A-600V	J	6.88	6.62	6.44	9.62
DS100**	100A	60A-600V	H, K, R	10.12	6.62	6.44	9.62
DS100**	100A	60A-600V	J	8.88	6.62	6.44	9.62
DS200**	200A	No fuse	—	4.75	7.88	—	8.12
DS200**	200A	200A-250V	H, K, R	10.88	7.88	—	8.12
DS200**	200A	200A-600V	H, K, R	13.38	7.88	—	8.12
DS200**	200A	200A-600V	J	9.50	7.88	—	8.12
DS200**	200A	100A-600V	H, K, R	12.00	7.88	—	8.12
DS200**	200A	100A-600V	J	8.75	7.88	—	8.12
M40	15A-150A	Westinghouse Circuit Breakers EHD, FD, FDB, FDC, HFD, HMCP	—	5.00	4.50	8.12	11.12
M50	70A-250A	Westinghouse Circuit Breakers JD, JDB, JDC, HJD, HMCP	—	9.75	4.75	—	10.62
M60	100A-400A	Westinghouse Circuit Breakers KD, KDB, KDC, HKD, HMCP	—	9.69	6.12	—	10.50

*Does not include space for optional auxiliary switch

**Series B

**SSN4X SERIES ENCLOSURES
DISCONNECT SPACE OCCUPIED & AVAILABLE WIRING SPACE INFORMATION**

ABB CONTROLS DISCONNECT SWITCHES WITH FLANGE-MOUNTED OPERATORS							
					WIRE BEND SPACE "WB" ABOVE DISCONNECT		
					SSN4X WALL-MOUNTS (PAGES F20-F22)		
SWITCH NUMBER	AMP RATING	FUSE CLIP	FUSE CLASS	SPACE OCCUPIED		WHEN D=8.00 WB	WHEN D=12.00 WB
				F	G		
OETL-NF30-F	40A	No fuse	—	4.45	3.78	10.28	13.28
OETL-NF60-F	80A	No fuse	—	4.86	3.78	10.09	13.09
OETL-NF100-F	100A	No fuse	—	4.86	4.78	9.53	12.53
OETL-NF175-F	175A	No fuse	—	7.30	6.49	7.28	10.28
OETL-NF200-F	200A	No fuse	—	7.36	7.28	7.28	10.28
OESA-F30J6-F	30A	30A-600V	J	4.28	6.58	8.61	11.61
OESA-F60J6-F	60A	60A-600V	J	4.28	6.26	8.61	11.61
OESA-F100J6-F	100A	100A-600V	J	6.54	7.65	8.17	11.17

ABB CONTROLS CIRCUIT BREAKERS WITH FLANGE-MOUNTED OPERATORS						
					WIRE BEND SPACE "WB" ABOVE DISCONNECT	
					SSN4X WALL-MOUNTS (PAGES F20-F22)	
MECHANISM	AMP RATING	FRAME TYPE	SPACE OCCUPIED		WHEN D=8.00 WB	WHEN D=12.00 WB
			F	G		
FHD-M	150A	D	6.92	3.94	9.17	12.17
FHF-M	150A-225A	E/Q	5.98	4.23	7.72	10.72
FHF-M	225A	F	7.44	4.23	7.72	10.72
FHJ-M	400A	J	9.71	5.62	—	8.77
FHM-M	600A	L	8.28	11.26	—	8.28
FHM-M	800A	M	10.11	11.26	—	7.87

CUTLER-HAMMER C361 CIRCUIT DISCONNECT SWITCHES								
					WIRE BEND SPACE "WB" ABOVE DISCONNECT			
					SSN4X WALL-MOUNTS (PAGES F20-F22)			
SWITCH NUMBER	TYPE NUMBER	AMP RATING	FUSE CLIP	FUSE CLASS	SPACE OCCUPIED		WHEN D=8.00 WB	WHEN D=12.00 WB
					F	G		
C361	NC	30A	No fuse	—	5.75	7.43	7.31	10.31
C361	SC21	30A	30A-250V	H, K, R	8.38	7.43	7.31	10.31
C361	SC61	30A	60A-250V	H, K, R	8.38	7.43	7.31	10.31
C361	SC61	30A	30A-600V	H, J, K, R	8.38	7.43	7.31	10.31
C361	ND	60A	No fuse	—	5.75	7.43	7.31	10.31
C361	SD22	60A	60A-250V	H, K, R	8.38	7.43	7.31	10.31
C361	SD22	60A	30A-600V	J	8.38	7.43	7.31	10.31
C361	SD62	60A	60A-600V	H, K, R	8.38	7.43	7.31	10.31
C361	SD62	60A	60A-600V	J	8.38	7.43	7.31	10.31
C361	NE	100A	No fuse	—	5.56	8.95	7.47	9.91
C361	SE263	100A	100A-250V	H, K, R	10.31	8.95	7.47	9.91
C361	SE263	100A	100A-600V	H, K, R	10.31	8.95	7.47	9.91
C361	SE263	100A	100A-600V	J	10.31	8.95	7.47	9.91
C361	NF*	200A	No fuse	—	13.06	10.00	4.94	7.94
C361	SF264*	200A	200A-250V	H, K, R	13.06	10.00	4.94	7.94
C361	SF264*	200A	200A-600V	H, J, K, R	13.06	10.00	4.94	7.94

*200 amp switch should be installed in an enclosure with an "H" dimension of 30.00 inches (762mm) or more.

**SSN4X SERIES ENCLOSURES
DISCONNECT SPACE OCCUPIED & AVAILABLE WIRING SPACE INFORMATION**

F25

CUTLER-HAMMER C371 CIRCUIT BREAKER OPERATORS FOR C-H/WESTINGHOUSE CIRCUIT BREAKERS						
					WIRE BEND SPACE "WB" ABOVE DISCONNECT	
					SSN4X WALL-MOUNTS (PAGES F20-F22)	
MECHANISM	AMP RATING	FRAME TYPE	SPACE OCCUPIED		WHEN D=8.00 WB	WHEN D=12.00 WB
			F	G		
C371E	225A	F Frame: EHD, FDB, FD, HFD, FDC	6.00	5.50	8.44	11.44
C371E	150A	F Frame: HMCP	6.00	5.50	8.44	11.44
C371F	250A	J Frame: JDB, JD, HJD, JDC	8.94	8.00	—	11.25
C371F	250A	J Frame: HMCP	10.94	8.00	—	11.25
C371F	400A	K Frame: DK, KDB, KD, HKD	9.75	8.00	—	10.75
C371F	400A	K Frame: HMCP	9.75	8.00	—	10.75
C371G	600A	L Frame: LD, HLD, LDC	8.44	11.88	—	9.18
C371G	600A	L Frame: HMCP	8.44	11.88	—	9.18

CUTLER-HAMMER FLEX SHAFT™ OPERATOR MECHANISMS FOR C-H/WESTINGHOUSE CIRCUIT BREAKERS					
COMPLETE OPERATOR MECHANISM	AMP RATING	FRAME TYPE	BREAKER HEIGHT	BREAKER WIDTH	
F1S03	225A	F Frame: EHD, FDB, FD, HFD, FDC	6.00	4.12	
F1S03	150A	F Frame: HMCP	6.00	4.12	
F2S03	250A	J Frame: JDB, JD, HJD, JDC	10.00	4.12	
F2S03	250A	J Frame: HMCP	10.00	4.12	
F3S03	400A	K Frame: DK, KDB, KD, HKD	10.12	5.50	
F3S03	400A	K Frame: HMCP	12.45	5.50	
F4S04	600A	L Frame: LD, HLD, LDC	10.75	8.25	
F4S04	600A	L Frame: HMCP	12.50	8.25	
F7S04	800A	M Frame: MD, MDS	16.00	8.25	
F5S04	1200A	N Frame: ND, HND, NDC	16.00	8.25	
F6S04	2500A	R Frame: RD, CRD, RDC	16.00	15.50	

- Catalog numbers for complete mechanisms include a flange-mounted handle, flexible shaft and circuit breaker mechanism.
- The last digit of the catalog number denotes the length of shaft (F1S03 = 3-foot shaft). The F, J, K frame Flex Shafts™ are available in 3-foot to 10-foot lengths. The L, N, R frame Flex Shafts are available in 4-foot to 6-foot lengths.

Space Occupied by Disconnect

- The Flex Shaft™ system allows the circuit breaker to be positioned independent from the flange-mounted handle mechanism.
- Refer to **National Electrical Code® 1996** article 430-10(b) for wiring space "WB" required for line side conductors.
- Choose the length of shaft based on placement of the circuit breaker in the enclosure ensuring a 4-inch min. bending radius for the Flex Shaft™.
- Space occupied by circuit breaker is determined by overall height "X", width "Y", wire bend space "WB" and location "G" as selected from right to left.

**SSN4X SERIES ENCLOSURES
DISCONNECT SPACE OCCUPIED & AVAILABLE WIRING SPACE INFORMATION**

GENERAL ELECTRIC TYPE STDA OPERATORS FOR DISCONNECTS							
					WIRE BEND SPACE "WB" ABOVE DISCONNECT		
					SSN4X WALL-MOUNTS (PAGES F20-F22)		
MECHANISM	AMP RATING	FUSE CLIP	FUSE CLASS	SPACE OCCUPIED		WHEN D=8.00 WB	WHEN D=12.00 WB
				F	G		
TDOM1A	30A	No fuse	—	7.75*	5.25	9.12	12.12
TDOM1A	30A	30A-250V	H, R	7.75*	5.25	9.12	12.12
TDOM1B	30A	30A-600V	H, R	12.38*	5.25	9.12	12.12
TDOM1B	30A	60A-250V	H, R	12.38*	5.25	9.12	12.12
TDOM1B	30A	60A-600V	H, R	12.38*	5.25	9.12	12.12
TDOM1A	60A	No fuse	—	7.75*	5.25	9.12	12.12
TDOM1B	60A	60A-250V	H, R	12.38*	5.25	9.12	12.12
TDOM1B	60A	60A-600V	H, R	12.38*	5.25	9.12	12.12
TDOM1B	60A	100A-250V	H, R	12.38*	5.25	9.12	12.12
TDOM1B	60A	100A-600V	H, R	12.38*	5.25	9.12	12.12
TDOM1A	100A	No fuse	—	7.75*	5.25	9.12	12.12
TDOM1B	100A	100A-250V	H, R	12.38*	5.25	9.12	12.12
TDOM1B	100A	100A-600V	H, R	12.38*	5.25	9.12	12.12
TDOM1B	100A	200A-250V	H, R	12.38*	5.25	9.12	12.12
TDOM1B	100A	200A-600V	H, R	12.38*	5.25	9.12	12.12
TDOM2	200A	No fuse	—	7.00	9.12	6.50	9.50
TDOM2	200A	200A-250V	H, R	15.38	9.12	6.50	9.50
TDOM2	200A	200A-600V	H, R	15.38	9.12	6.50	9.50

*Dimension applies to 8.00-inch (203mm) deep enclosures and is .88 less in deeper enclosures.

GENERAL ELECTRIC TYPE STDA OPERATORS FOR CIRCUIT BREAKERS						
					WIRE BEND SPACE "WB" ABOVE DISCONNECT	
					SSN4X WALL-MOUNTS (PAGES F20-F22)	
MECHANISM	AMP RATING	FRAME TYPE	SPACE OCCUPIED		WHEN D=8.00 WB	WHEN D=12.00 WB
			F	G		
SDOM1A	150A	TEB, TED, THED	7.75*	5.25	9.06	12.06
SDOM1A	150A	TEC	7.75*	5.25	9.06	12.06
TDOM1B	150A	TB1	12.38*	5.25	9.06	12.06
TDOM1B	150A	TEC, TECL	12.38*	5.25	9.06	12.06
TDOM1C	150A	TEL	7.75*	5.25	9.06	12.06
TDOM1D	150A	THLC1	7.75*	5.25	6.62	9.62
TDOM3	225A	TFJ	10.38	5.75	7.62	10.62
TDOM3	225A	TFK, THFK, TFL	10.38	5.75	7.62	10.62
TDOM4	400A	TJJ, TJK4, THJK4, TJL4V	8.25	9.38	6.69	9.69
TDOM4	600A	TJK6, THJK6, TJ4V, TJL4V	9.38	—	6.69	9.69
TDOM5	400A	TB4, TJH6S	14.25	9.38	6.69	9.69
TDOM6	225A	TLB2, THLC2	11.75	9.38	6.12	9.12
TDOM6	400A	TLB4, THLC4	11.75	9.38	4.75	7.75
SDOM1A	150A	SPECTRA SE150	7.75*	5.25	9.06	12.06
SDOM3	250A	SPECTRA SF250	10.38	5.75	7.06	10.06
SDOM4	600A	SPECTRA SG600	10.00	7.00	—	7.93

*Dimension applies to 8.00-inch (203mm) deep enclosures and is .88 less in deeper enclosures.

**SSN4X SERIES ENCLOSURES
DISCONNECT SPACE OCCUPIED & AVAILABLE WIRING SPACE INFORMATION**

F27

GENERAL ELECTRIC CIRCUIT BREAKERS WITH SPECTRA-FLEX™ CABLE OPERATORS					
FRAME SIZE	MAXIMUM AMP RATING	CIRCUIT BREAKER HEIGHT X	CIRCUIT BREAKER WIDTH Y	SSN4X WALL-MOUNTS	
E150	150A	6.31	4.12	For enclosures that accept these devices, see page F20-F22.	
SE150	150A	6.31	4.12		
SF250	250A	10.12	4.12		
SG600	600A	10.09	5.50		
SK1200	1200A	15.50	8.25		

FRAME SIZE	BREAKER MECHANISM	FLANGE-MOUNTING HANDLE**	OPERATING CABLE*
E150	SCOM1A	SCH1	SC3L
SE150/SF250	SCOM1EF	SCH1	SC3L
SG600	SCOM1G	SCH1	SC3L
SK1200	SCOM1K	SCH2K	SC3H

* Operating cables are available in 3-foot to 10-foot lengths. (The number 3 in the catalog number denotes 3-foot cable.)

** Add "X" for NEMA 4 or 4X flange-mounted handle.

Space Occupied by Circuit Breaker

- The General Electric Spectra-Flex™ system allows the circuit breaker to be positioned independent from the flange-mounted handle mechanism.
- Refer to **National Electrical Code® 1996** article 430-10(b) for wiring space "WB" required for line side conductors.
- Choose the operating cable length based on placement of the circuit breaker in the enclosure ensuring a 3-inch minimum bending radius for the cable.
- Space occupied by circuit breaker is determined by overall circuit breaker size ("X" height and "Y" width, plus "WB" wire bend space and location "G" as selected from right to left.

I-T-E DISCONNECT SWITCHES FOR MAX-FLEX™ OPERATORS						
SWITCH	AMP RATING	FUSE CLIP	FUSE CLASS	DISCONNECT HEIGHT X	DISCONNECT WIDTH Y	SSN4X WALL-MOUNTS
MCS603R	30A	No fuse	—	5.52	6.13	For enclosures that accept these devices, see page F20-F22.
MCS603R	30A	30A-250V	H, K, R	8.11	6.13	
MCS603R	30A	30A-600V	H, K, R	10.11	6.13	
MCS603R	30A	30A-600V	J	8.48	6.13	
MCS606R	60A	No fuse	—	5.52	6.13	
MCS606R	60A	60A-250V	H, K, R	7.86	6.13	
MCS606R	60A	60A-600V	H, K, R	10.38	6.13	
MCS606R	60A	60A-600V	J	8.36	6.13	
MCS610R	100A	No fuse	—	7.59	7.38	
MCS610R	100A	100A-250V	H, K, R	11.85	7.38	
MCS610R	100A	100A-600V	H, K, R	13.85	7.38	
MCS610R	100A	100A-600V	J	10.60	7.38	
MCS620R	200A	No fuse	—	9.02	9.17	
MCS620R	200A	200A-250V	H, K, R	14.70	9.17	
MCS620R	200A	200A-600V	H, K, R	17.20	9.17	
MCS620R	200A	200A-600V	J	13.32	9.17	

**SSN4X SERIES ENCLOSURES
DISCONNECT SPACE OCCUPIED & AVAILABLE WIRING SPACE INFORMATION**

I-T-E CIRCUIT BREAKERS WITH MAX-FLEX™ OPERATORS					
COMPLETE OPERATOR MECHANISM	CIRCUIT BREAKER FRAME	MAXIMUM AMP RATING	CIRCUIT BREAKER HEIGHT X	CIRCUIT BREAKER WIDTH Y	CIRCUIT BREAKER TYPE
FH0E036	ED	125A	6.34	3.00	ED2, ED4, ED6, HED4, HED6
FH0E036	CED	125A	9.58	3.00	CED6
FH0F036	FD	250A	9.50	4.50	FXD6-A, FD6-A, HFD6, FXD6-ETJ, HHFD6, HHFXD6
FH0J036	CFD	250A	14.25	4.50	CFD6, CFD6-ETI
FH0J036	JD	400A	11.00	7.50	JXD2, JXD6, JD6, HJD6, HHJD6, HHJXD6, JXD6-ETI
FH0J036	CJD	400A	17.86	7.50	CJD6, CJD6-ETI
FH0J036	LD	600A	11.00	7.50	LXD6, LD6, HLD6, HHL6, HHLXD6, LXD6-ETI
FH0J036	CLD	600A	17.86	7.50	CLD6, CLD6-ETI
FH0LM036	LMD	800A	16.00	9.00	LMD6, LMXD6, HLM6, HLMXD6, LMXD6-ETI

The last 3 digits of operator mechanism number indicate cable length in inches. 48-inch cables are available for ED, FD, JD/LD operators, and 60-inch cables for MD/ND, PD/RD operators. The Type 4 and Type 4X applications order handle, cable and circuit breaker operator separately.

Space Occupied by Disconnect

- The I-T-E Max-Flex™ cable system allows the disconnect to be positioned independent from the flange-mounted handle mechanism.
- Refer to **National Electrical Code® 1996** article 430-10(b) for wiring space "WB" required for line side conductors.
- Refer to Siemens I-T-E installation instructions for limits on disconnect location when using 36-inch or 48-inch Max-Flex™ cables.
- Space occupied by disconnect is determined by overall height "X", width "Y", wire bend space "WB" and location "G" as selected from right to left.

SQUARE D CLASS 9422 DISCONNECT SWITCHES USED WITH CABLE MECHANISM 9422-CFT30 AND 9422A-1 HANDLE MECHANISM						
SWITCH	AMP RATING	FUSE CLIP	FUSE CLASS	DISCONNECT HEIGHT X	DISCONNECT WIDTH Y	SSN4X WALL-MOUNTS
TCN-30	30A	No fuse	—	5.90	6.20	For enclosures that accept these devices, see page F20-F22.
TCF-30	30A	30A-250V	H, K, R	7.50	6.20	
TCF-33	30A	30A-600V	H, K, R	10.15	6.20	
TCF-33	30A	60A-250V	H, K, R	8.15	6.20	
TCF-33	30A	30A-600V	J	7.50	6.20	
TDN-60	60A	No fuse	—	5.90	6.20	
TDF-60	60A	30A-600V	H, K, R	10.15	6.20	
TDF-60	60A	60A-250V	H, K, R	8.15	6.20	
TDF-63	60A	60A-600V	H, K, R	10.56	6.20	
TDF-63	60A	60A-600V	J	7.50	6.20	
TEN-10	100A	No fuse	—	5.90	6.20	
TEF-10	100A	100A-250V	H, K, R	10.35	6.20	
TEF-10	100A	100A-600V	H, K, R	12.35	6.20	
TEF-10	100A	100A-600V	J	10.35	6.20	

SQUARE D CLASS 9422 CABLE MECHANISM FOR CIRCUIT BREAKERS					
CABLE TYPE SWITCH	AMP RATING	FRAME TYPE	CIRCUIT BREAKER HEIGHT X	CIRCUIT BREAKER WIDTH Y	SSN4X WALL-MOUNTS
9422 CGJ30	75A	GJL	4.75	3.50	For enclosures that accept these devices, see page F20-F22.
9422 CEJ30	100A	GJL	4.75	3.50	
9422 CFA30	100A	FAL, FHL	6.00	4.50	
9422 CKA30	250A	FAL, KHL	8.00	4.50	
9422 CLA30	400A	LAL, LHL, Q4L	11.00	6.00	

Use cable mechanism with appropriate circuit breaker and 9422-A1 handle mechanism. Cable operators are available in 3-foot, 5-foot, and 10-foot lengths. Numbers shown (30) are for 3-foot cables.

Space Occupied by Disconnect Switch or Circuit Breaker

- Square D cable mechanisms allows disconnect devices to be positioned independent from the flange-mounted handle mechanism.
- Refer to **National Electrical Code® 1996** article 430-10(b) for wiring space "WB" required for line side conductors.
- Choose cable mechanism length based on placement of disconnect in enclosure. See Square D Instruction Bulletin for minimum bend radius for cable.
- Space occupied by disconnect is determined by overall height "X", width "Y", wire bend space "WB" and location "G" as selected from right to left.

**SSN4X SERIES ENCLOSURES
DISCONNECT SPACE OCCUPIED & AVAILABLE WIRING SPACE INFORMATION**

F29

SQUARE D CLASS 9422 DISCONNECTS						WIRE BEND SPACE "WB" ABOVE DISCONNECT	
						SSN4X WALL-MOUNTS (PAGES F20-F22)	
TYPE NUMBER	AMP RATING	FUSE CLIP	FUSE CLASS	SPACE OCCUPIED		WHEN D=8.00 WB	WHEN D=12.00 WB
				F	G		
TCN-30	30A	No fuse	—	3.80	6.84	7.56	10.56
TCF-30	30A	30A-250V	H, K, R	5.53	6.84	7.56	10.56
TCF-33	30A	30A-600V	H, K, R	8.15	6.84	7.56	10.56
TCF-33	30A	60A-250V	H, K, R	6.15	6.84	7.56	10.56
TCF-33	30A	30A-600V	J	5.53	6.84	7.56	10.56
TDN-60	60A	No fuse	—	3.80	6.84	7.56	10.56
TDF-60	60A	30A-600V	H, K, R	8.15	6.84	7.56	10.56
TDF-60	60A	60A-250V	H, K, R	6.15	6.84	7.56	10.56
TDF-63	60A	60A-600V	H, K, R	8.65	6.84	7.56	10.56
TDF-63	60A	60A-600V	J	5.53	6.84	7.56	10.56
TEN-10	100A	No fuse	—	3.80	6.84	7.44	10.44
TEF-10	100A	100A-250V	H, K, R	8.25	6.84	7.44	10.44
TEF-10	100A	100A-600V	H, K, R	10.25	6.84	7.44	10.44
TEF-10	100A	100A-600V	J	7.05	6.84	7.44	10.44
TC-1	30A	No fuse	—	5.75	6.00	6.62	9.62
TC-2	30A	30A-250V	H, K, R	5.75	6.00	6.62	9.62
TC-3	30A	30A-600V	H, K, R	7.75	6.00	6.62	9.62
TC-3	30A	60A-250V	H, K, R	5.88	6.00	6.62	9.62
TC-3	30A	30A-600V	J	5.75	6.00	6.62	9.62
TD-1	60A	No fuse	—	6.38	6.62	7.50	10.50
TD-2	60A	30A-600V	H, K, R	8.50	6.62	7.50	10.50
TD-2	60A	60A-250V	H, K, R	6.50	6.62	7.50	10.50
TD-3	60A	60A-600V	H, K, R	9.00	6.62	7.50	10.50
TD-3	60A	60A-600V	J	6.38	6.62	7.50	10.50
TE-1	100A	No fuse	—	4.75	8.38	—	10.25
TE-2	100A	100A-250V	H, K, R	7.50	8.38	—	10.25
TE-2	100A	100A-600V	H, K, R	9.50	8.38	—	10.25
TE-2	100A	100A-600V	J	6.25	8.38	—	10.25
TE-3	100A	200A-600V	J	13.75	8.38	—	10.25
TF-1	200A	No fuse	—	5.50	11.62	—	8.88
TF-2	200A	200A-250V	H, K, R	11.50	11.62	—	8.88
TF-2	200A	200A-600V	H, K, R	14.00	11.62	—	8.88
TF-2	200A	200A-600V	J	10.12	11.62	—	8.88
TF-3	200A	400A-600V	J	14.50	11.62	—	8.88
RG-1	75A	GJL	Circuit breaker	3.53	3.74	7.47	10.47
RG-1	100A	GJL	Circuit breaker	3.53	3.74	7.47	10.47
RN-1	100A	FAL, FHL	Circuit breaker	5.12	5.25	7.62	10.62
RP-1	250A	KAL, KHL	Circuit breaker	7.12	5.62	8.38	11.38
RR-1	400A	LAL,LHL,Q4L	Circuit breaker	7.62	8.75	—	7.00

WAX-U & WACPX-U SERIES ENCLOSURES NEMA 12 FLOOR-MOUNT DISCONNECT



WA60X4912U



WA60CPX4912U

Industry Standards

UL 508, Type 12

CSA Certified, Type 12

NEMA/EEMAC Type 12

JIC EL-1-71

 UL File E64791

 CSA File LL66078

FEATURES-SPECIFICATIONS

Applications

Designed to house the following:

- **Allen-Bradley** Bulletin 1494F flange-mounted disconnect switches and Bulletin 1494D flange-mounted operators for circuit breakers. Allen-Bradley Bulletin 1494V variable depth flange-mounted disconnect switches and circuit breakers mechanisms
- **ABB Controls** flange-mounted variable depth operating mechanisms for disconnect switches and circuit breakers
- **Cutler-Hammer/Westinghouse** Type C361 disconnect switches and operating mechanisms, and Type C371 circuit breakers and circuit breakers operating mechanisms. Also Type SM safety handle mechanisms and Flex Shaft™ handle operators for circuit breakers
- **General Electric** Type STDA flange handles and variable depth operating mechanisms for disconnect switches and circuit breakers. Also Spectra Flex™ cable operators for circuit breakers
- **I-T-E** Max-Flex™ flange-mounted variable depth operating handles for disconnect switches and circuit breakers
- **Square D** disconnect switches and circuit breakers used with Class 9422 flange-mounted variable depth operating mechanisms or cable mechanisms

These enclosures will not receive Class 9422 bracket-mounted disconnect devices, 9422TG1, or TG2 devices

Construction

- Bodies and doors fabricated from 10 gauge steel
- Continuously welded seams ground smooth
- Body stiffeners provided for extra rigidity
- Heavy gauge continuous hinges to secure doors
- Heavy duty 3-point padlocking handles on all doors
- Print pocket is provided
- 15-inch floor stands are welded to enclosure
- Doors are supplied with closed cell neoprene gasket
- Heavy duty lifting eyes and provisions for fluorescent lighting are provided
- Panel supports
- Collar studs are provided for mounting **optional** sub panels
- Grounding provisions provided
- Unless specified, the right door is considered to be the "master" door on the "Right Flange" mount enclosures and the left door is the "master" door on the "Center Post" mount enclosures
- A mechanical interlock is provided and prevents the slave door from opening before opening the master door
- Disconnects come with a universal cutout which provides mounting for most disconnects operators by using operator adapters

- Removable center post permits easy panel installation
- FTC rolled lip around all sides of enclosure opening excludes liquids and contaminants

Finish

- ANSI 61 gray polyester powder inside and out over phosphatized surfaces
- **Optional** back panels are white polyester powder over phosphatized surfaces

Accessories

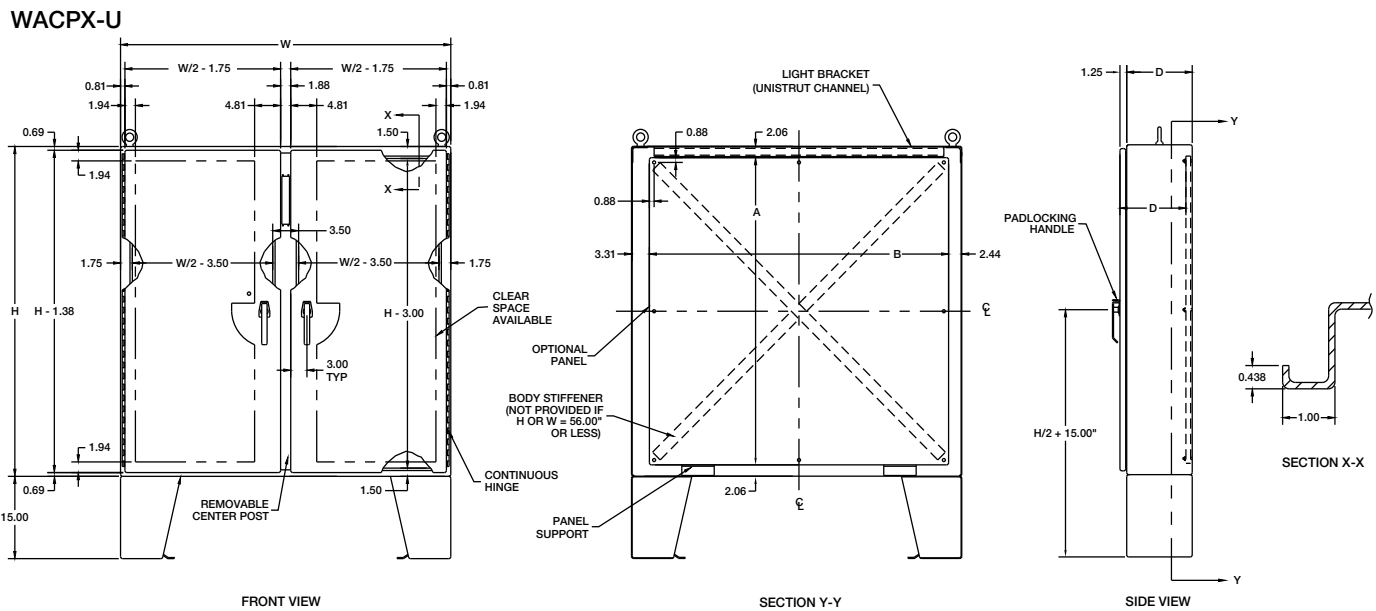
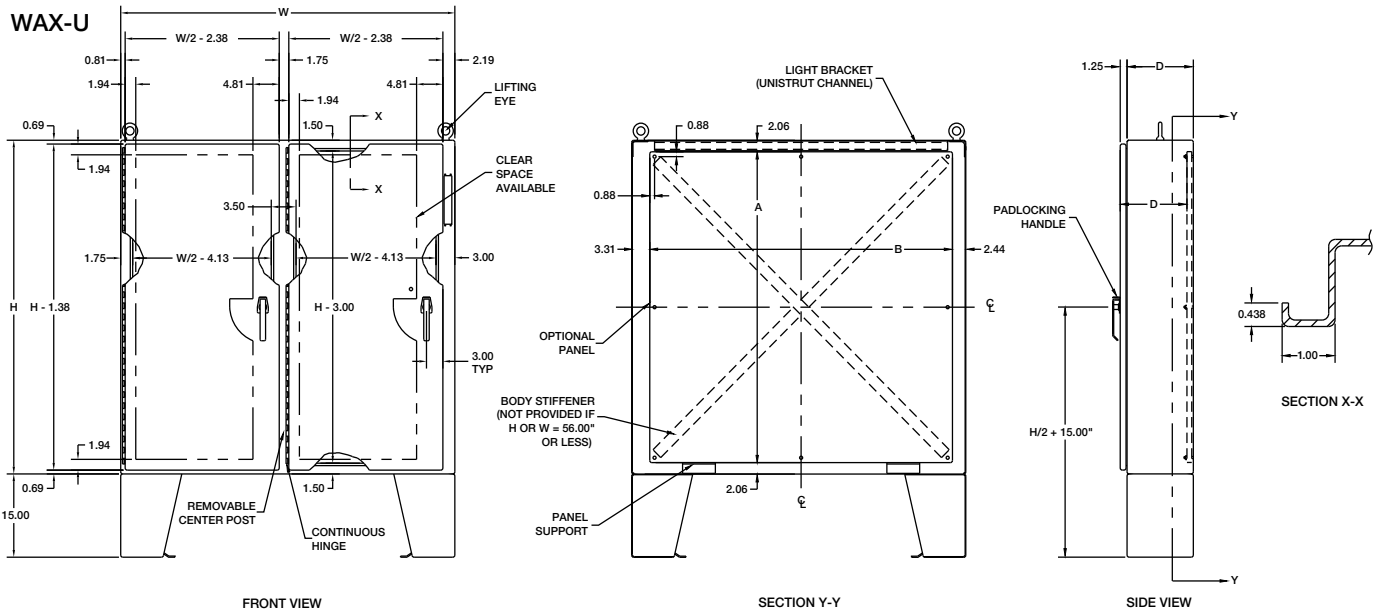
- Back panels (reference tables)
- See pages J1-J19
- Blank adapter plates on pages F57 and J12

IMPORTANT

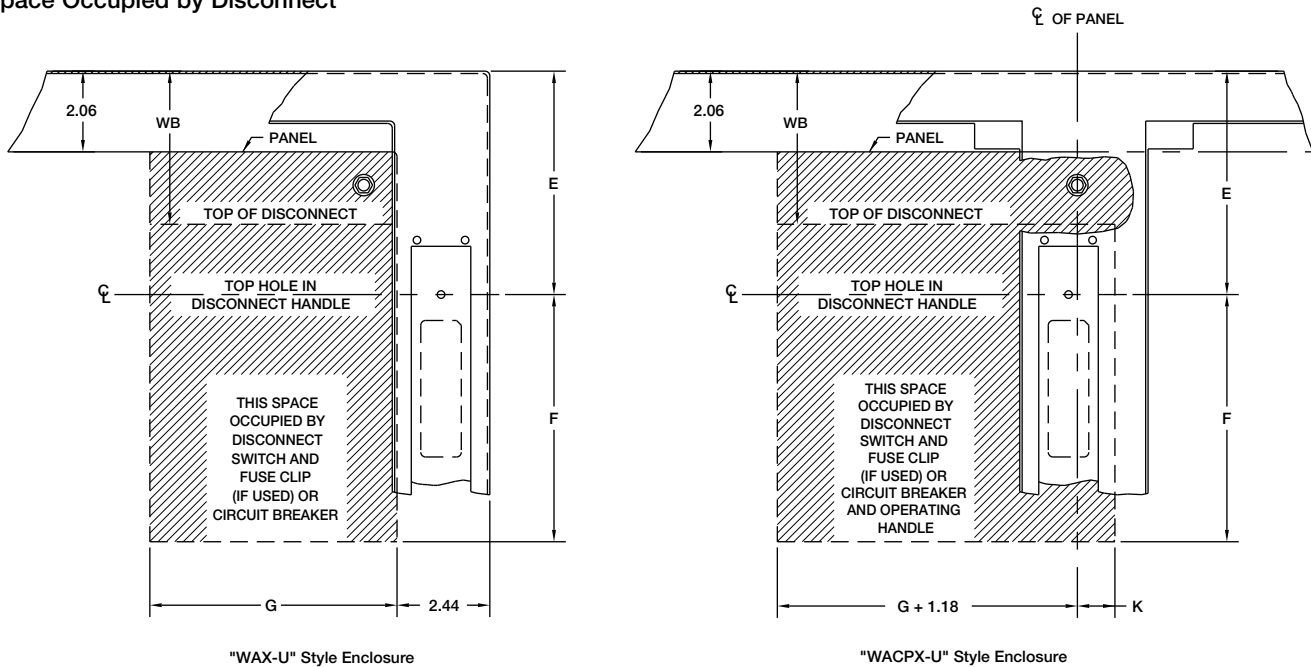
- Disconnect switch or circuit breakers, operating handle and operating mechanism are not furnished with the enclosure and must be ordered separately from the disconnect manufacturer
- **Operator adapter plates are required** with this enclosure and must be purchased separately. See pages F57 and K12 to select the proper operator adapter for the brand and type of disconnect being used
- Disconnect ordering information is located on page F33
- Review space occupied by disconnect drawings on page F32 and disconnect tables on pages F47-F56 to determine if the disconnect device you are using will fit the enclosure size you have selected

PROVISION CATALOG NUMBER		BODY/DOOR STEEL GAUGE	ENCLOSURE SIZE H X W X D	BACK PANEL CATALOG NUMBER*	BACK PANEL SIZE A X B
RIGHT FLANGE MNT.	CENTER POST MNT.				
WA60X4912U	WA60CPX4912U	10/10	60.13x49.75x12.13 (1527x1264x308)	NPDD6048	56.00x44.00 (1422x1118)
WA60X4918U	—	10/10	60.13x49.75x18.13 (1527x1264x460)	NPDD6048	56.00x44.00 (1422x1118)
WA60X4924U	WA60CPX4924U	10/10	60.13x49.75x24.13 (1527x1264x613)	NPDD6048	56.00x44.00 (1422x1118)
WA60X6112U	WA60CPX6112U	10/10	60.13x61.75x12.13 (1527x1568x308)	NPDD6060	56.00x56.00 (1422x1422)
WA60X6118U	—	10/10	60.13x61.75x18.13 (1527x1568x460)	NPDD6060	56.00x56.00 (1422x1422)
WA60X6124U	WA60CPX6124U	10/10	60.13x61.75x24.13 (1527x1568x613)	NPDD6060	56.00x56.00 (1422x1422)
WA72X6112U	—	10/10	72.13x61.75x12.13 (1832x1568x308)	NPDD7260	68.00x56.00 (1727x1422)
WA72X6118U	—	10/10	72.13x61.75x18.13 (1832x1568x460)	NPDD7260	68.00x56.00 (1727x1422)
WA72X7312U	WA72CPX7312U	10/10	72.13x73.75x12.13 (1832x1873x308)	NPDD7272	68.00x68.00 (1727x1727)
WA72X7318U	WA72CPX7318U	10/10	72.13x73.75x18.13 (1832x1873x460)	NPDD7272	68.00x68.00 (1727x1727)
WA72X7324U	—	10/10	72.13x73.75x24.13 (1832x1873x613)	NPDD7272	68.00x68.00 (1727x1727)

*Back panels must be ordered separately. Panels are made from 10 gauge steel.



Space Occupied by Disconnect



Note:

1. See pages F47-F56 for various brands of disconnects for "E", "F", "G", "K" and "WB" dimensions.
2. Disconnects will occupy space on panel shown by dimensions "E", "F", "G" and "K". Wiring space "WB" is available when disconnect is installed in the enclosure.
3. When ordering 24.13 (613mm) deep enclosures, long connecting rods must be ordered. Long connecting rods are available from disconnect manufacturers.
 - ABB Controls flange-operated devices
 - Cutter-Hammer C361 devices
 - Cutler-Hammer C371 operating mechanisms C371E and C371F, order catalog number C371CS1 connecting rod. For C371G and C371K, order catalog number C371CS2 connecting rod.
 - General Electric TDA devices, order catalog number TDSR extended length drive rod
 - For Square D 9422 devices, order catalog number 9422-R2 extra long operating rod(s). Some devices require two rods.

Refer to *National Electrical Code*® 1996 article 430-10(b) for wiring space required for line side conductors to be connected to disconnect. Verify your application to determine if wiring space is adequate.

DISCONNECT ORDERING INFORMATION

When ordering wall-mounted disconnects from the various manufacturers, be sure to order all of the necessary items. Each company has a different system, so care is required. Order the following items from the disconnect manufacturer.

Allen-Bradley

When using a Bulletin 1494F flange-mounted disconnect switch, order:

1. A disconnect switch
2. A fuse block adapter, if required
3. Line and load connectors, if required

When using a Bulletin 1494D flange-mounted operator for a circuit breaker, order:

1. A circuit breaker (C-H/Westinghouse)
2. A flange-mounted operating mechanism
3. A slide mechanism

When using a Bulletin 1494V disconnect switch, order:

- * 1. A disconnect switch
- * 2. An operating handle
- * 3. A connecting rod (long)
- * 4. A trailer fuse block kit, if required
- * 5. A fuse clip kit, if required
6. Line and load connectors, if required

When using a Bulletin 1494V circuit breaker operating mechanism, order:

1. A circuit breaker (C-H/Westinghouse)
2. A circuit breaker operating mechanism
3. An operating handle
4. A connecting rod (long)

An optional Allen-Bradley channel support kit is recommended when Allen-Bradley Bulletin 1494V devices are installed in 72.12" (1832mm) high enclosures with operating handle mounted on centerpost.

ABB Controls

When using a disconnect switch, order:

1. A flange operated switch (fusible or non-fusible)
2. A shaft [DSFHS-12 for 12.12" (308mm) deep or DSFHS-17 for 18.12" (460mm) deep enclosures; in 24.12" (613mm) deep enclosures a platform must be used with shaft]
3. A handle (DSFHN-HS12)

When using a circuit breaker, order:

1. A circuit breaker (ABB)
- * 2. An operating mechanism
- * 3. A shaft [FHS-12 for 12.12" (308mm) deep or FHS-17 for 18.12" (460mm) deep enclosures; in 24.12" (613mm) deep enclosures a platform must be used with shaft]
- * 4. Handle mechanism (FHN-HS12)

* Items available from disconnect manufacturer as complete kits.

PLEASE NOTE:

1. Various other switch accessories and circuit breaker accessories are available from disconnect manufacturers. The above information is subject to change without notice. Please contact Hubbell-Wiegmann or the disconnect manufacturer if there are further questions.
2. The "Space Occupied" tables (pages F47-F56) are based upon information supplied by disconnect manufacturers. Hubbell-Wiegmann does not assume responsibility for the accuracy of these dimensions.

Cutler-Hammer/Westinghouse

When using a Type C361 disconnect switch, order:

- * 1. A disconnect switch with an operating mechanism
- * 2. An operating handle (C361H1 or C361H3)

When using a Type C371 circuit breaker operating mechanism with a C-H/Westinghouse circuit breaker, order:

1. A circuit breaker
- * 2. An operating mechanism
- * 3. An operating handle

When using a Type SM handle mechanism, order:

1. A circuit breaker
2. A type SM handle mechanism

When using a Flex Shaft™ handle mechanism, order:

1. A circuit breaker
2. A complete Flex Shaft™ handle mechanism

General Electric

When using a disconnect switch, order:

1. A disconnect switch (Type QMR or QMW)
2. A fuse clip kit or no-fuse kit
3. A flange handle (STDA1 or STDA2)
4. A variable depth operating mechanism
5. An extended length drive rod (if required)

When using a circuit breaker, order:

1. A circuit breaker
2. A flange handle (STDA1 or STDA2)
3. A variable depth operating mechanism
4. An extended length drive rod (if required)

When optional General Electric Flange Stiffener Kit (catalog number TDSR) is recommended when General Electric Type TDA devices are installed in 72.12" (1832) high enclosures with operating handle mounted on centerpost. Use with TD0M1, TD0M2, TD0M3, S100M1A, and S100M3 operating mechanisms.

When using a circuit breaker with a Spectra Flex™ cable operator, order:

1. A circuit breaker
2. A flange-mounted handle mechanism
3. A breaker-mounted mechanism
4. An operating cable

I-T-E Siemens

When using a disconnect switch, order:

1. A basic switch (right-hand)
2. A fuse or no-fuse kit
- * 3. FHOHS flange-mounted handle
- * 4. Switch operator
- * 5. FHOECO36 cable for 12.12" (308mm) deep enclosures or FHOECO48 for 18.12 (460mm) and 24.12" (613mm) deep enclosures

When using a circuit breaker, order:

1. A circuit breaker
2. Pressure wire connectors
- * 3. A flange-mounted handle
- * 4. A circuit breaker operator mechanism
- * 5. An operating cable [12.12" (308mm) deep or 18.12 (460mm) deep enclosures accept 36.00" (914mm) or 48.00 (1219mm) cables; 24.12" (613mm) deep enclosures require a 48.00" (1219mm) cable]

* These items are available from I-T-E as a complete mechanism with a 36.00" (914mm) operating cable only. Order items separately when using a 48.00" (1219mm) operating cable.

Square D

When using a disconnect switch, order:

1. A disconnect switch with operating mechanism
2. A universal handle mechanism
3. A long operating rod, if required

When using a circuit breaker, order:

1. A circuit breaker
2. An operating mechanism
3. A universal handle mechanism
4. A long operating rod, if required

When using a Class 9422 Type "T" disconnect switch with a cable mechanism, order:

1. A disconnect switch with operating mechanism (Class 9422 Type T)
2. A handle mechanism (Class 9422 Type A-1)
3. A cable mechanism (Class 9422 CFT_O) 3-, 5-, or 10-foot

When using a circuit breaker with a cable mechanism, order:

1. A circuit breaker (Square D)
2. A handle mechanism (Class 9422 Type A-1)
3. A cable mechanism (Class 9422 CFT_O) 3-, 5-, or 10-foot

An optional Square D Channel Flange Support Kit (catalog number 9422-C1) is recommended when some Square D devices are installed in 72.12" (1832mm) high enclosures with operating handle mounted on centerpost.


WA72XM2718U
Industry Standards

UL 508, Type 12
CSA Certified, Type 12
NEMA/EEMAC Type 12
JIC EL-1-71

 UL File E64791

 CSA File LL66078

FEATURES-SPECIFICATIONS
Applications

Designed to house the following:

- **Allen-Bradley** Bulletin 1494F flange-mounted disconnect switches and Bulletin 1494D flange-mounted operators for circuit breaker. Allen-Bradley Bulletin 1494V variable depth flange-operated disconnect switches and circuit breakers mechanisms
- **ABB Controls** flange-mounted variable depth operating mechanisms for disconnect switches and circuit breakers
- **Cutler-Hammer/Westinghouse** Type C361 disconnect switches and operator mechanisms. Cutler-Hammer Type C371 circuit breaker operating mechanisms. Also Type SM safety handle mechanisms and Flex Shaft™ handle operators for circuit breakers
- **General Electric** Type STDA flange handles and variable depth operating mechanisms for disconnect switches and circuit breakers. Also Spectra Flex™ cable operators for circuit breakers
- **I-T-E Max-Flex™** flange-mounted variable depth operating handles for disconnect switches and circuit breakers
- **Square D** disconnect switches and circuit breakers used with Class 9422 flange-mounted variable depth operating mechanisms or cable mechanism

These enclosures will not receive Class 9422 bracket-mounted disconnect devices or Class 9422TG1 or TG2 devices

Construction

- Bodies and doors fabricated from 10 gauge steel.
- Removable 10 gauge steel **back panels are included** and mounted on collar studs
- Continuously welded seams ground smooth
- Body stiffeners provided for extra rigidity
- Heavy duty lifting eyes and provisions for fluorescent lighting are provided
- Heavy gauge continuous hinges support each door
- 3-point padlocking handles on all doors
- Panel supports
- Center posts are removable to permit easy panel installation.
- Print pocket is provided
- Grounding provisions provided
- Doors are supplied with closed cell neoprene gasket
- Unless specified, the far right door is considered to be the "Master" door. All other doors are considered slave doors
- The mechanical interlock is activated by the master door which prevents the slave doors from being opened first. Doors can be closed in any order
- Disconnects come with a universal cutout which provides mounting for most disconnect operators by using operator adapters
- FTC rolled lip around all sides of enclosure opening excludes liquids and contaminants

Finish

- ANSI 61 gray polyester powder inside and out over phosphatized surfaces
- Included back panels are white polyester powder over phosphatized surfaces

Accessories

- See pages J1-J20
- Blank adapter plates on pages F57 and J12

IMPORTANT

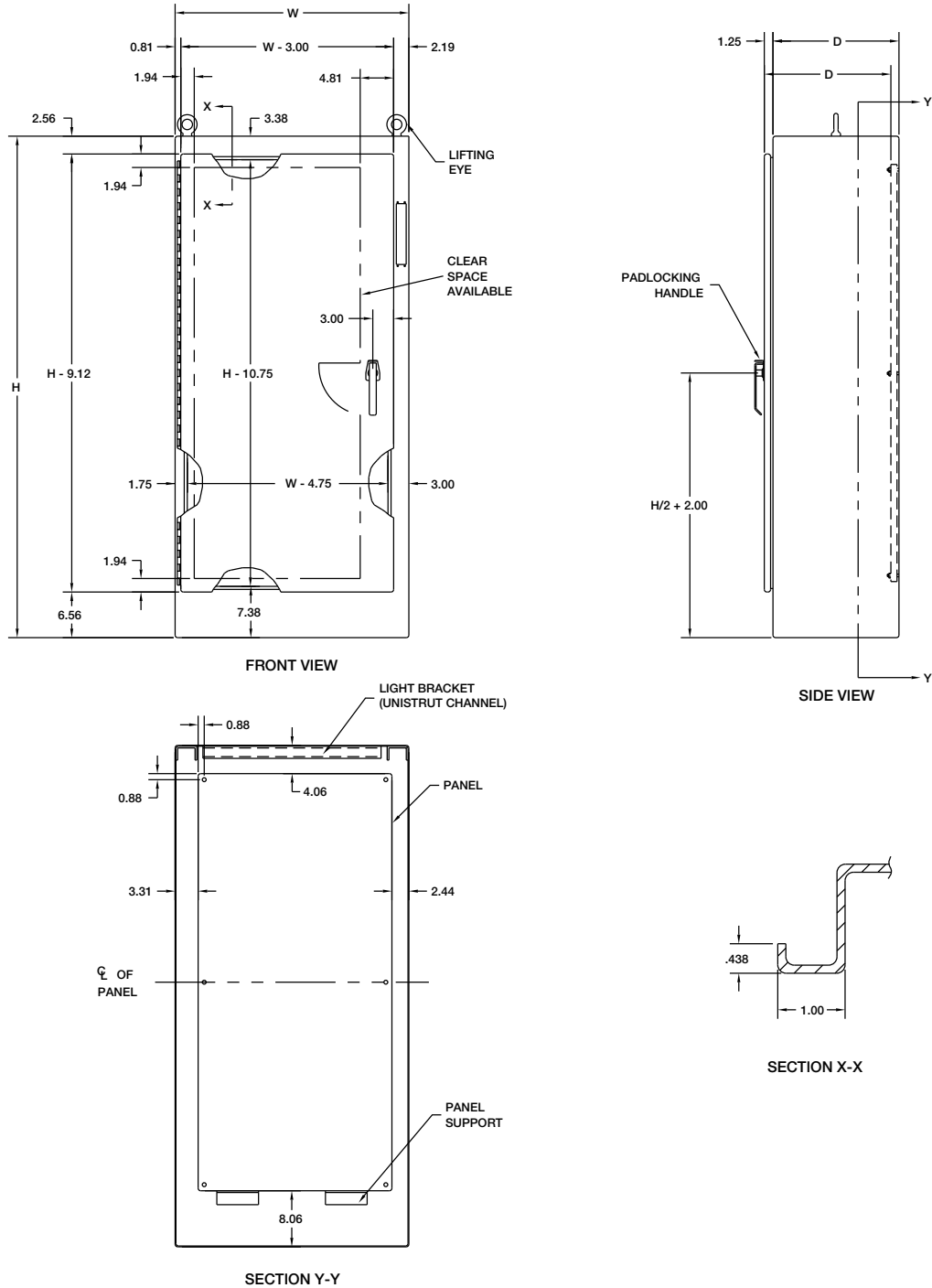
- Disconnect switch or circuit breakers, operating handle and operating mechanism are not furnished with enclosure and must be ordered separately from the disconnect manufacturer
- **Operator adapter plates are required** with this enclosure and must be purchased separately. See pages F57 and K12 to select the proper operator adapter for the brand and type of disconnect being used
- Disconnect ordering information is located on page F41
- Review space occupied by disconnect drawings on page F40 and disconnect tables on pages F47-F56 to determine if the disconnect device you are using will fit the enclosure size you have selected

**WAXM-U SERIES ENCLOSURES
NEMA 12 HEAVY DUTY FREESTANDING DISCONNECT**

F35

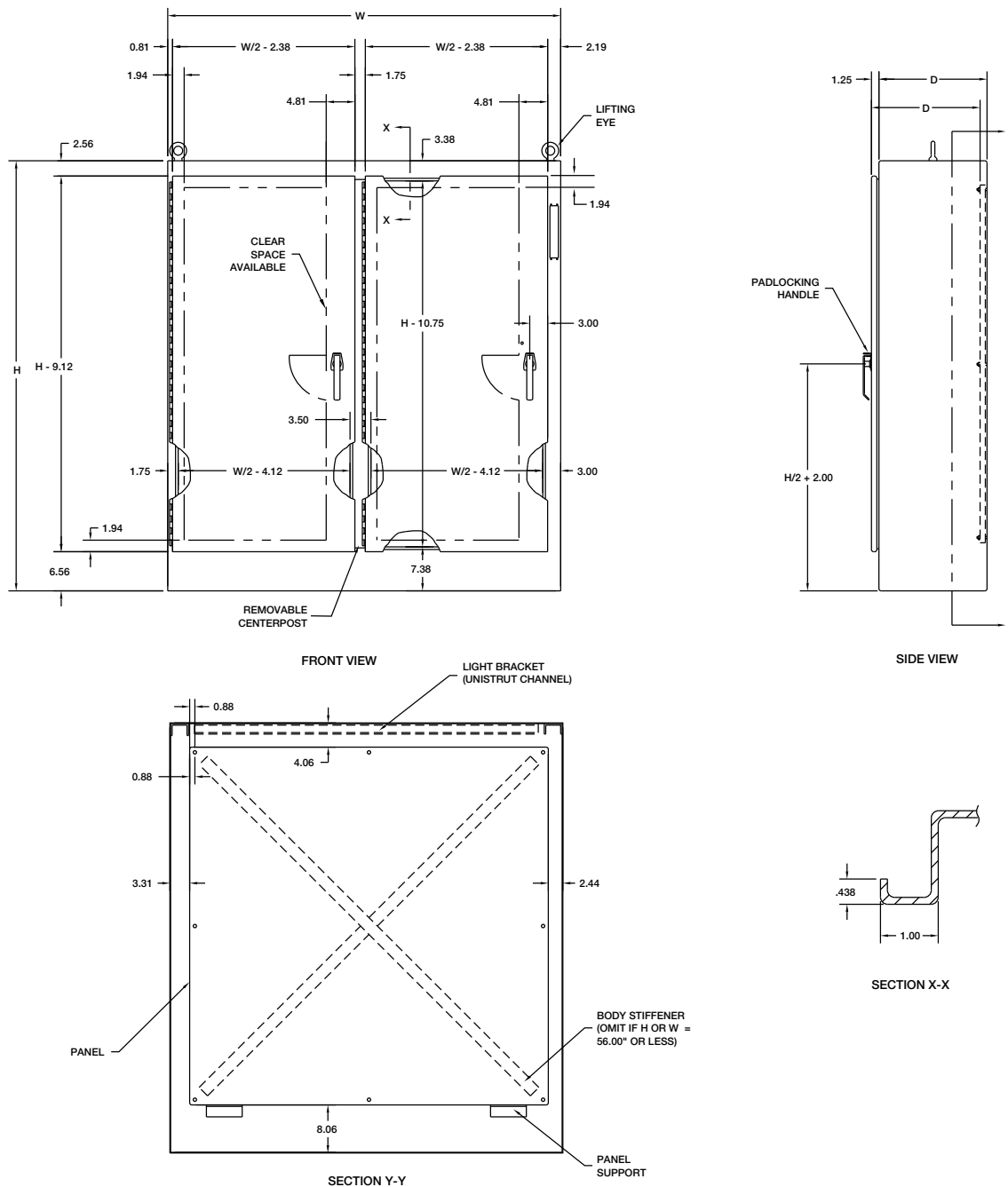
WAXM-U SERIES HEAVY DUTY SINGLE DOOR DISCONNECTS			
CATALOG NUMBER	BODY/DOOR STEEL GAUGE	ENCLOSURE SIZE H X W X D	BACK PANEL SIZE A X B*
WA72XM2718U	10/10	72.13x27.50x18.13 (1832x699x460)	60.00x21.75 (1524x552)
WA72XM3318U	10/10	72.13x33.50x18.13 (1832x851x460)	60.00x27.75 (1524x705)
WA72XM3918U	10/10	72.13x39.50x18.13 (1832x1003x460)	60.00x33.75 (1524x857)
WA84XM3918U	10/10	84.13x39.50x18.13 (2137x1003x460)	72.00x33.75 (1829x857)
WA90XM3920U	10/10	90.13x39.50x20.13 (2289x1003x511)	78.00x33.75 (1981x857)
WA90XM3924U	10/10	90.13x39.50x24.13 (2289x1003x613)	78.00x33.75 (1981x857)

*Back panels are furnished with enclosures.



WAXM-U SERIES HEAVY DUTY TWO DOOR DISCONNECTS			
CATALOG NUMBER	BODY/DOOR STEEL GAUGE	ENCLOSURE SIZE H X W X D	BACK PANEL SIZE A X B*
WA72XM5318U	10/10	72.13x53.75x18.13 (1832x1365x460)	60.00x48.00 (1524x1219)
WA72XM6518U	10/10	72.13x65.75x18.13 (1832x1670x460)	60.00x60.00 (1524x1524)
WA72XM7718U	10/10	72.13x77.75x18.13 (1832x1975x460)	60.00x72.00 (1524x1829)
WA72XM7724U	10/10	72.13x77.75x24.13 (1832x1975x613)	60.00x72.00 (1524x1829)
WA84XM7718U	10/10	84.13x77.75x18.13 (2137x1975x461)	72.00x72.00 (1829x1829)
WA90XM7720U	10/10	90.13x77.75x20.13 (2289x1975x511)	78.00x72.00 (1981x1829)
WA90XM7724U	10/10	90.13x77.75x24.13 (2289x1975x613)	78.00x72.00 (1981x1829)

*Back panels are furnished with enclosures.

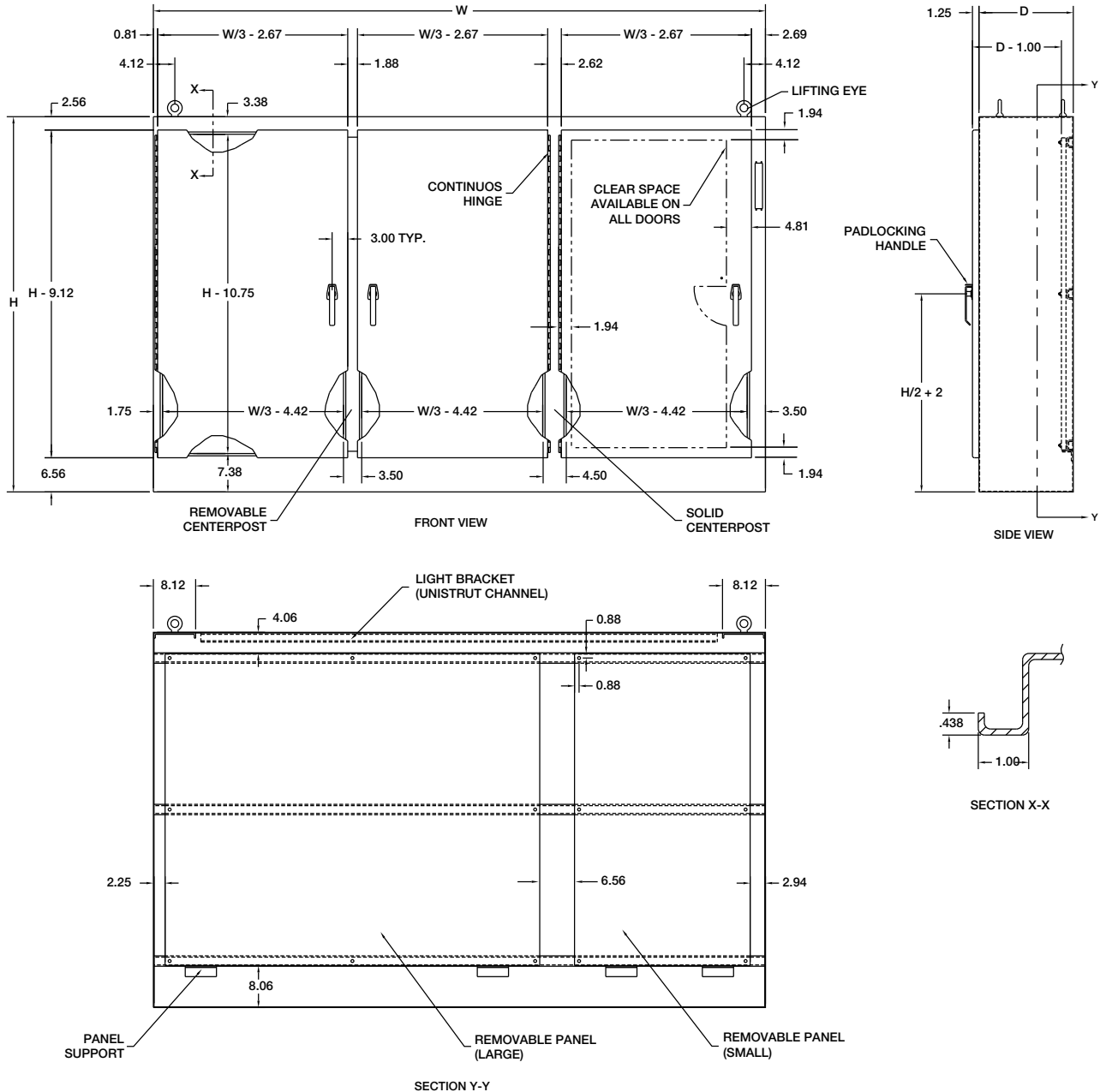


**WAXM-U SERIES ENCLOSURES
NEMA 12 HEAVY DUTY FREESTANDING DISCONNECT**

F37

WAXM-U SERIES HEAVY DUTY THREE DOOR DISCONNECTS				
CATALOG NUMBER	BODY/DOOR STEEL GAUGE	ENCLOSURE SIZE H X W X D	NO. OF PANELS	BACK PANEL SIZE A X B*
WA72XM3EQ18U	10/10	72.13x99.50x18.13 (1832x2527x460)	1 1	60.00x60.00 (1524x1524) 60.00x27.75 (1524x705)
WA72XM3EW18U	10/10	72.13x117.50x18.13 (1832x2985x460)	1 1	60.00x72.00 (1524x1829) 60.00x33.75 (1524x857)
WA84XM3EW18U	10/10	84.13x117.50x18.13 (2137x2985x460)	1 1	72.00x72.00 (1829x1829) 72.00x33.75 (1829x857)
WA90XM3EW24U	10/10	90.13x117.50x24.13 (2289x2985x613)	1 1	78.00x72.00 (1981x1829) 78.00x33.75 (1981x857)

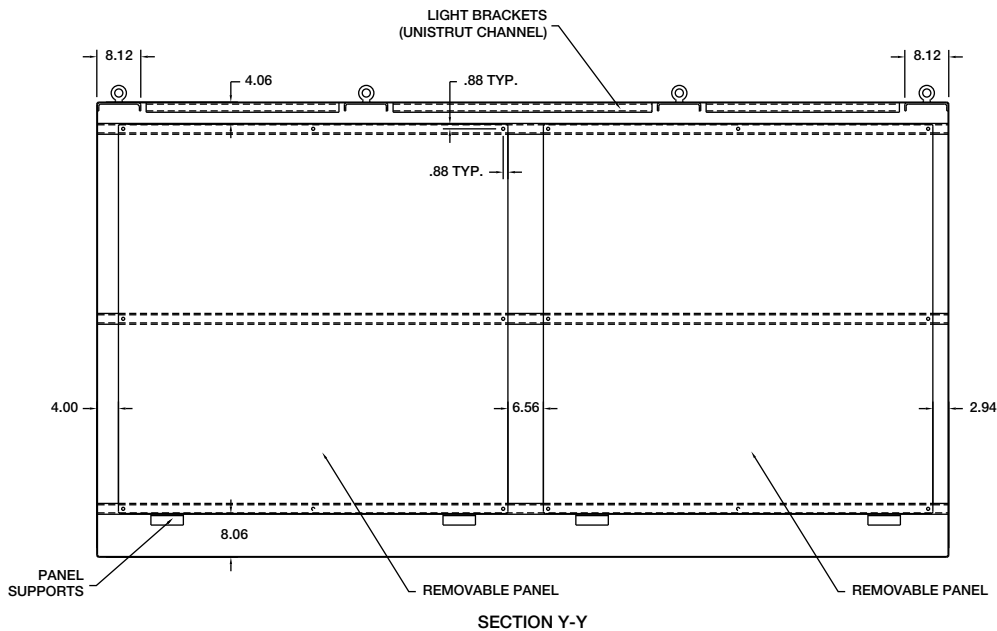
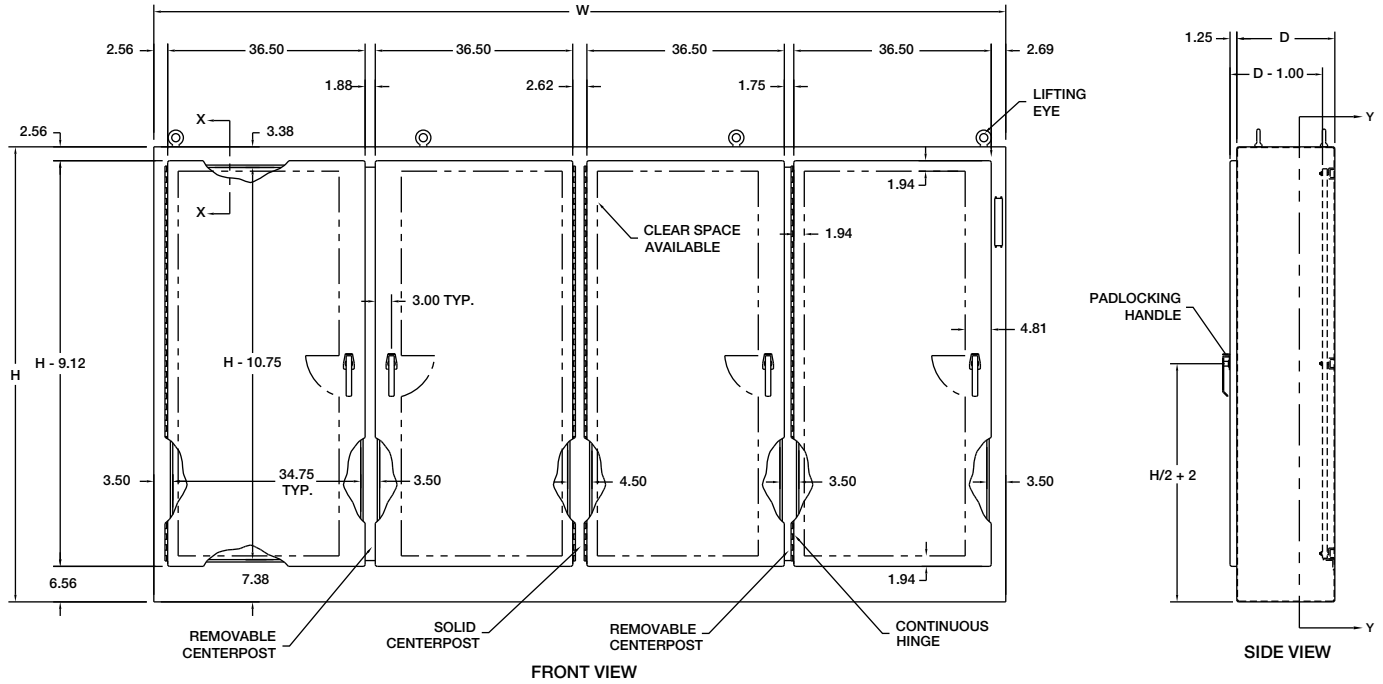
*Back panels are furnished with enclosures.



WAXM-U SERIES ENCLOSURES NEMA 12 HEAVY DUTY FREESTANDING DISCONNECT

WAXM-U SERIES HEAVY DUTY FOUR DOOR DISCONNECTS				
CATALOG NUMBER	BODY/DOOR STEEL GAUGE	ENCLOSURE SIZE H X W X D	NO. OF PANELS	BACK PANEL SIZE A X B*
WA84XM4EW18U	10/10	84.13x157.50x18.13 (2137x4001x461)	2	72.00x72.00 (1829x1829)

*Back panels are furnished with enclosures.

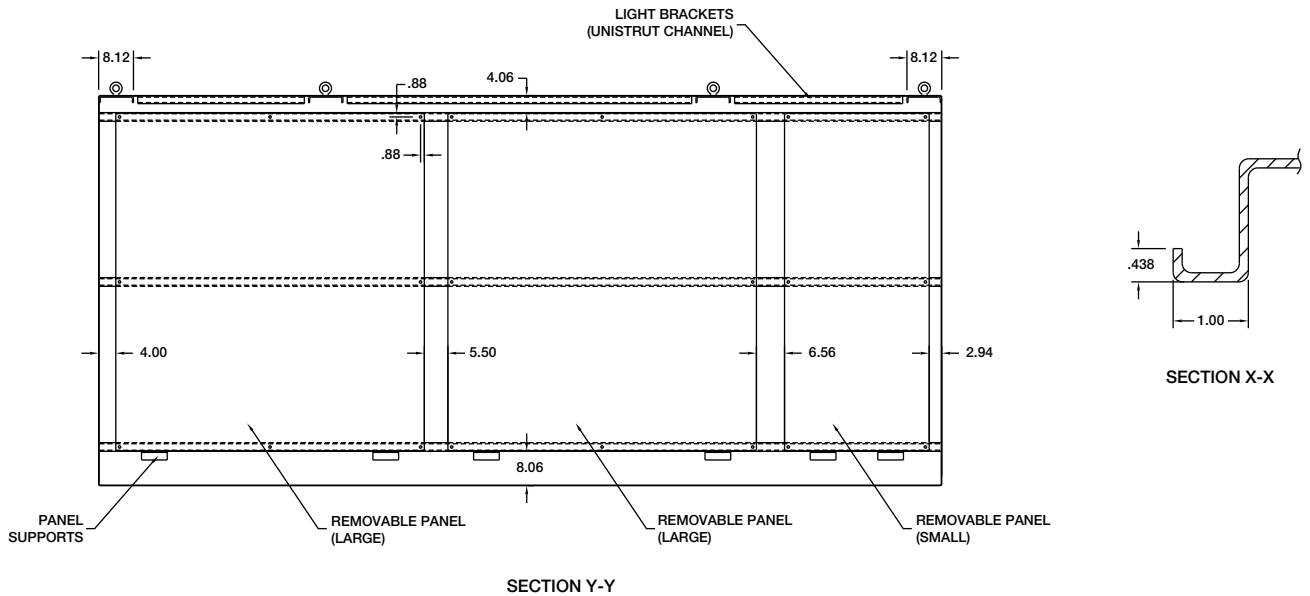
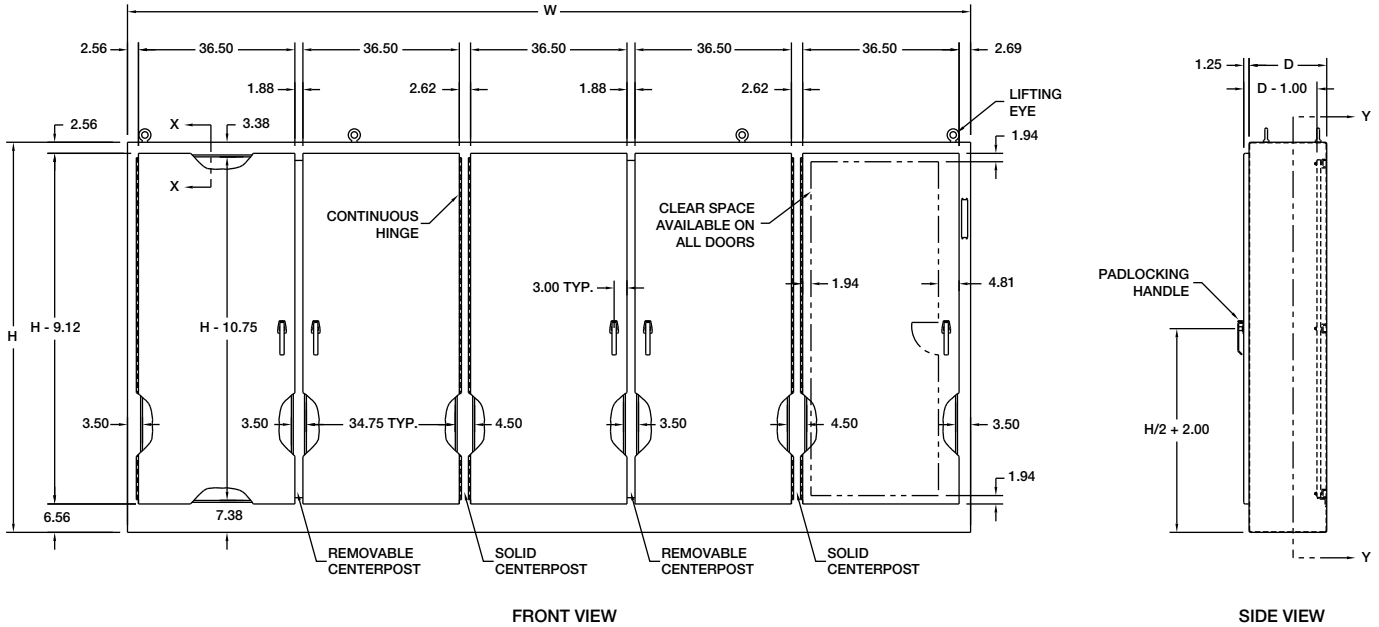


**WAXM-U SERIES ENCLOSURES
NEMA 12 HEAVY DUTY FREESTANDING DISCONNECT**

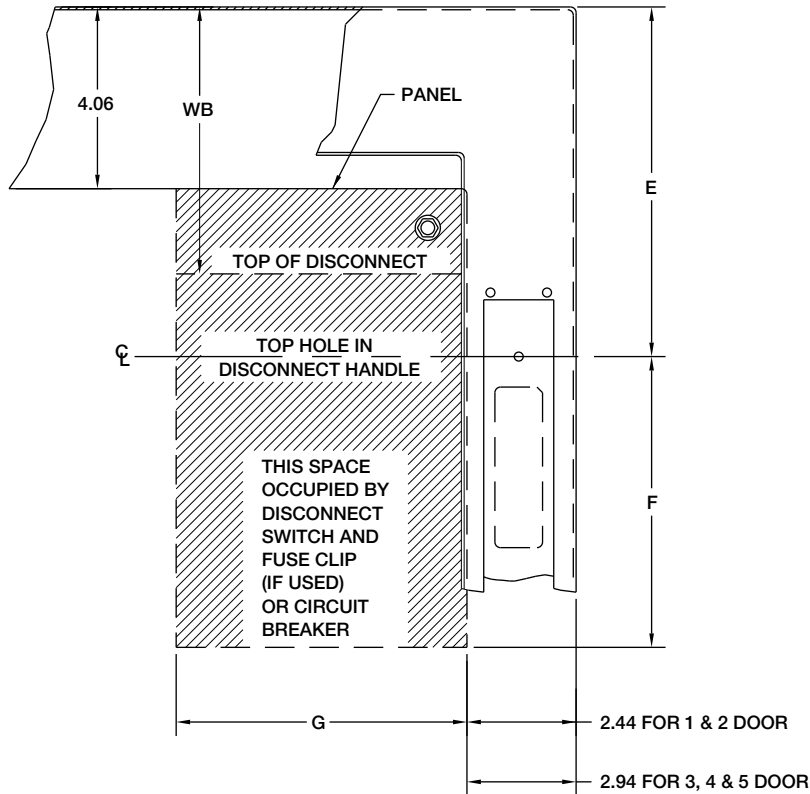
F39

WAXM-U SERIES HEAVY DUTY FIVE DOOR DISCONNECTS				
CATALOG NUMBER	BODY/DOOR STEEL GAUGE	ENCLOSURE SIZE H X W X D	NO. OF PANELS	BACK PANEL SIZE A X B*
WA84XM5EW18U	10/10	84.13x196.75x18.13 (2137x4997x460)	2 1	72.00x72.00 (1829x1829) 72.00x33.75 (1829x857)

*Back panels are furnished with enclosures.



Space Occupied by Disconnect



Note:

1. See pages F47-F56 for various brands of disconnects for "E", "F", "G" and "WB" dimensions.
2. Disconnects will occupy space on panel shown by dimensions "E", "F" and "G". Wiring space "WB" is available when disconnect is installed in the enclosure.
3. When ordering 24.13 (613mm) deep enclosures, long connecting rods must be ordered. Long connecting rods are available from disconnect manufacturers.
 - ABB Controls flange-operated devices
 - Cutter-Hammer C361 devices
 - Cutler-Hammer C371 operating mechanisms C371E and C371F, order catalog number C371CS1 connecting rod. For C371G and C371K, order catalog number C371CS2 connecting rod.
 - General Electric TDA devices, order catalog number TDSR extended length drive rod
 - For Square D 9422 devices, order catalog number 9422-R2 extra long operating rod(s). Some devices require two rods.

Refer to *National Electrical Code*® 1996 article 430-10(b) for wiring space required for line side conductors to be connected to disconnect. Verify your application to determine if wiring space is adequate.

DISCONNECT ORDERING INFORMATION

When ordering wall-mounted disconnects from the various manufacturers, be sure to order all of the necessary items. Each company has a different system, so care is required. Order the following items from the disconnect manufacturer.

Allen-Bradley

When using a Bulletin 1494F flange-mounted disconnect switch, order:

1. A disconnect switch
2. A fuse block adapter, if required
3. Line and load connectors, if required

When using a Bulletin 1494D flange-mounted operator for a circuit breaker, order:

1. A circuit breaker (C-H/Westinghouse)
2. A flange-mounted operating mechanism
3. A slide mechanism

When using a Bulletin 1494V disconnect switch, order:

- *1. A disconnect switch
- *2. An operating handle
- *3. A connecting rod (long)
- *4. A trailer fuse block kit, if required
- *5. A fuse clip kit, if required
6. Line and load connectors, if required

When using a Bulletin 1494V circuit breaker operating mechanism, order:

1. A circuit breaker (C-H/Westinghouse)
2. A circuit breaker operating mechanism
3. An operating handle
4. A connecting rod (long)

ABB Controls

When using a disconnect switch, order:

1. A flange operated switch (fusible or non-fusible)
2. A shaft [DSFHS-17 for 18.12" (460mm) deep or DSFHS-22 for 20.12" (511mm) deep enclosures; in 24.12" (613mm) deep enclosures a platform must be used with shaft]
3. A handle (DSFHN-HS12)

When using a circuit breaker, order:

1. A circuit breaker (ABB)
- *2. An operating mechanism
- *3. A shaft [FHS-17 for 18.12" (460mm) deep or FHS-22 for 20.12" (511mm) deep enclosures; in 24.12" (613mm) deep enclosures a platform must be used with shaft]
- *4. Handle mechanism (FHN-HS12)

PLEASE NOTE:

1. Various other switch accessories and circuit breaker accessories are available from disconnect manufacturers. The above information is subject to change without notice. Please contact Hubbell-Wiegmann or the disconnect manufacturer if there are further questions.
2. The "Space Occupied" tables (pages F47-F56) are based upon information supplied by disconnect manufacturers. Hubbell-Wiegmann does not assume responsibility for the accuracy of these dimensions.

** Items available from disconnect manufacturer as complete kits.*

Cutler-Hammer/Westinghouse

When using a Type C361 disconnect switch, order:

- *1. A disconnect switch with an operating mechanism
- *2. An operating handle (C361H1 or C361H3)

When using a Type C371 circuit breaker operating mechanism with a C-H/Westinghouse, order:

1. A circuit breaker
- *2. An operating mechanism
- *3. An operating handle

When using a Type SM handle mechanism, order:

1. A circuit breaker
2. A type SM handle mechanism

When using a Flex Shaft™ handle mechanism, order:

1. A circuit breaker
2. A complete Flex Shaft™ handle mechanism

General Electric

When using a disconnect switch, order:

1. A disconnect switch (Type QMR or QMW)
2. A fuse clip kit or no-fuse kit
3. A flange handle (STDA1 or STDA2)
4. A variable depth operating mechanism
5. An extended length drive rod (if required)

When using a circuit breaker, order:

1. A circuit breaker
2. A flange handle (STDA1 or STDA2)
3. A variable depth operating mechanism
4. An extended length drive rod (if required)

When using a circuit breaker with a Spectra Flex™ cable operator, order:

1. A circuit breaker
2. A flange-mounted handle mechanism
3. A breaker-mounted mechanism
4. An operating cable

I-T-E Siemens

When using a disconnect switch, order:

1. A basic switch (right-hand)
2. A fuse or no-fuse kit
- *3. FHOHS flange-mounted handle
- *4. Switch operator
- *5. FHOECO48 cable

When using a circuit breaker, order:

1. A circuit breaker
2. Pressure wire connectors
- *3. A flange-mounted handle
- *4. A circuit breaker operator mechanism
- *5. An operating cable [18.12" (460mm) deep or 20.12" (511mm) deep enclosures accept 36.00" (914mm) or 48.00" (1219mm) cables; 24.12" (613mm) deep enclosures require a 48.00" (1219mm) cable]

** These items are available from I-T-E as a complete mechanism with a 36.00" (914mm) operating cable only. Order items separately when using a 48.00" (1219mm) operating cable.*

Square D

When using a disconnect switch, order:

1. A disconnect switch with operating mechanism
2. A universal handle mechanism
3. A long operating rod, if required

When using a circuit breaker, order:

1. A circuit breaker
2. An operating mechanism
3. A universal handle mechanism
4. A long operating rod, if required

When using a Class 9422 Type "T" disconnect switch with a cable mechanism, order:

1. A disconnect switch with operating mechanism (Class 9422 Type T)
2. A handle mechanism (Class 9422 Type A-1)
3. A cable mechanism (Class 9422 CFT_O) 3-, 5-, or 10-foot

When using a circuit breaker with a cable mechanism, order:

1. A circuit breaker (Square D)
2. A handle mechanism (Class 9422 Type A-1)
3. A cable mechanism (Class 9422 CFT_O) 3-, 5-, or 10-foot


WMOD72X4018U
Industry Standards

UL 508, Type 12
CSA Certified, Type 12
NEMA/EEMAC Type 12
JIC EL-1-71

 UL File E64791

 CSA File LL66078

FEATURES-SPECIFICATIONS
Applications

Modular single-door and double-door Modular free-standing enclosures are designed to be bolted together in a variety of lengths and combinations to meet the customer's specific application. Modular disconnects enclosures are designed to house the following flange-mounted disconnect switches and circuit breakers:

- **Allen-Bradley** Bulletin 1494F flange-mounted disconnect switches and Bulletin 1494D flange-mounted operators for circuit breakers. Allen-Bradley Bulletin 1494V variable depth flange-operated disconnect switches and circuit breaker mechanisms
- **ABB Controls** flange-mounted variable depth operating mechanisms for disconnect switches and circuit breakers
- **Cutler-Hammer/Westinghouse** Type C361 disconnect switches and operating mechanisms, and Type C371 circuit breaker operating mechanisms. Also Type SM safety handle mechanisms and Flex Shaft™ handle operators for circuit breakers
- **General Electric** Type STDA flange handles and variable depth operating mechanisms for disconnect switches and circuit breakers. Also Spectra Flex™ cable operators for circuit breakers
- **I-T-E Max-Flex™** flange-mounted variable depth operating handles for disconnect switches and circuit breakers
- **Square D** disconnect switches and circuit breakers used with Class 9422 flange-mounted variable depth operating mechanisms or cable mechanisms
These enclosures will not receive Square D Class 9422 bracket-mounted disconnect devices or Class 9422TG1 or TG2 devices.

Construction

- Bodies and doors fabricated from 10 gauge steel
- Removable 10-gauge **back panels are included** and mounted on collar studs
- Continuously welded seams ground smooth
- Body stiffeners are provided for extra rigidity
- Door and side openings are flanged to provide extra strength and smooth edges
- Heavy duty lifting eyes and provisions for fluorescent lighting are provided
- Heavy gauge lift off hinges
- Grounding provisions provided
- 3-point padlocking handle on all doors
- Doors are supplied with closed cell neoprene gasket
- Print pocket is provided
- Panel supports
- Mechanical interlocks come standard on each enclosure. Parts required to connect interlock system between adjacent enclosures are provided

Finish

- ANSI 61 gray polyester powder inside and out over phosphatized surfaces
- Back panels are white polyester powder over phosphatized surfaces

Accessories

- See pages J1-J19
- Blank adapter plates on pages F57 and J12

IMPORTANT

- Disconnect switch or circuit breakers, operating handle and operating mechanism are not furnished with enclosure and must be ordered separately from the disconnect manufacturer

- **Operator adapter plates are required** with the modular flange disconnect enclosure only and must be purchased separately. Modular non-disconnect enclosures do not require a operator adapter plate. See pages F57 and K12 to select the proper operator adapter for the brand and type of disconnect being used
- Disconnect ordering information is located on page F46
- Review space occupied by disconnect drawings on page F45 and disconnect tables on pages F47-F56 to determine if the disconnect device you are using will fit the enclosure size you have selected

A modular enclosure system consists of:

- A disconnect (master) enclosure
- Any quantity of slave enclosures
- Gasket kits to be used between enclosures
- End plate
- An operator adapter plate or blank adapter plate
- Disconnect device (order from disconnect manufacturer)

Single and Two Door Enclosures

- Left side is open (see drawings on pages F43 and F44)
- Master door hinged on left
- Master door activates mechanical interlock which prevents slave enclosures from being opened first
- Doors may be closed in any order

Single and Two Door Slave Enclosures

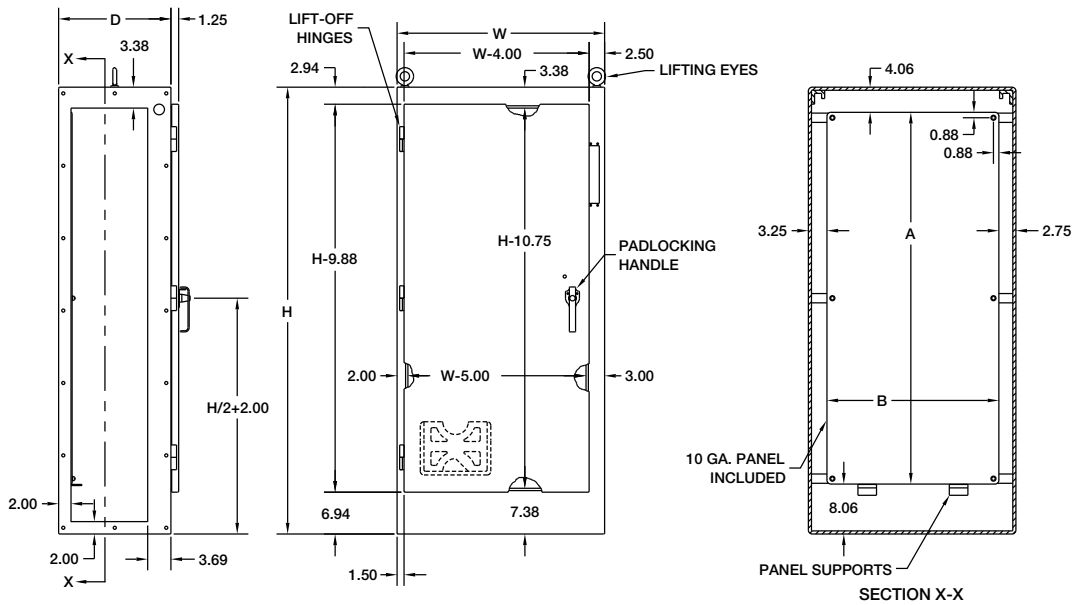
- Both sides are open (see drawings on pages F43 and F44)
- Door cannot be opened until master enclosure is opened or the interlock is defeated

WMOD SERIES SINGLE DOOR MODULAR FLANGE DISCONNECT (LEFT SIDE OPEN)			
CATALOG NUMBER	BODY/DOOR STEEL GAUGE	ENCLOSURE SIZE H X W X D	BACK PANEL SIZE A X B*
WMOD72X4018U	10/10	72.13x39.75x18.13 (1832x1010x460)	60.00x33.75 (1524x857)
WMOD84X4018U	10/10	84.13x39.75x18.13 (2137x1010x460)	72.00x33.75 (1829x857)
WMOD84X4024U	10/10	84.13x39.75x24.13 (2137x1010x613)	72.00x33.75 (1829x857)

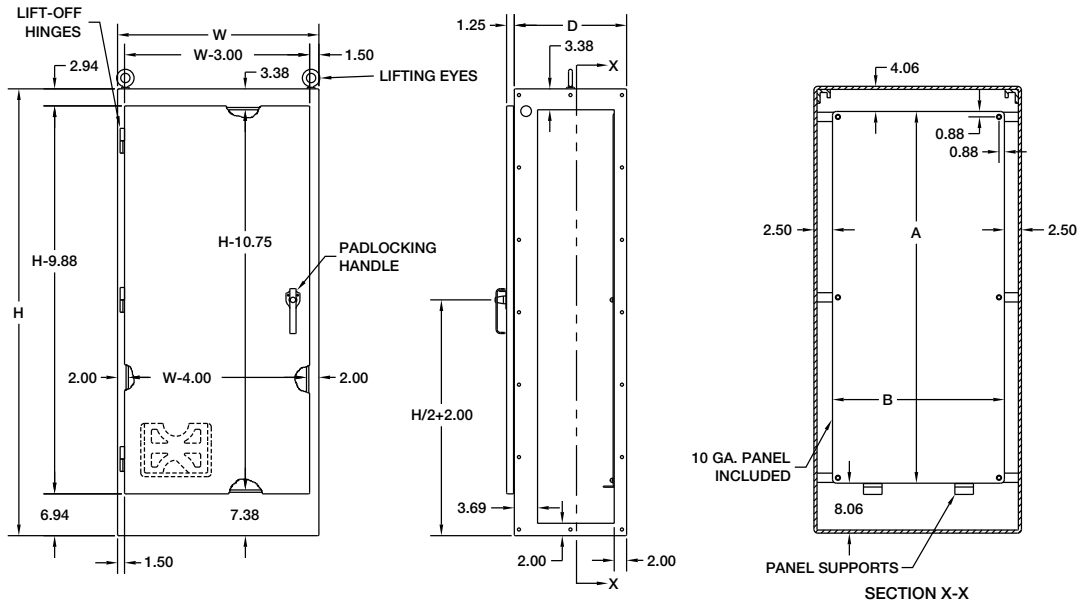
WMOD SERIES SINGLE DOOR MODULAR NON-DISCONNECT (BOTH SIDES OPEN)			
CATALOG NUMBER	BODY/DOOR STEEL GAUGE	ENCLOSURE SIZE H X W X D	BACK PANEL SIZE A X B*
WMOD723818	10/10	72.13x38.75x18.13 (1832x984x460)	60.00x33.75 (1524x857)
WMOD843818	10/10	84.13x38.75x18.13 (2137x984x460)	72.00x33.75 (1829x857)
WMOD843824	10/10	84.13x38.75x24.13 (2137x984x613)	72.00x33.75 (1829x857)

*Back panels are furnished with enclosures.

Single-Door Enclosure with left side open



Single-Door Enclosure with both sides open



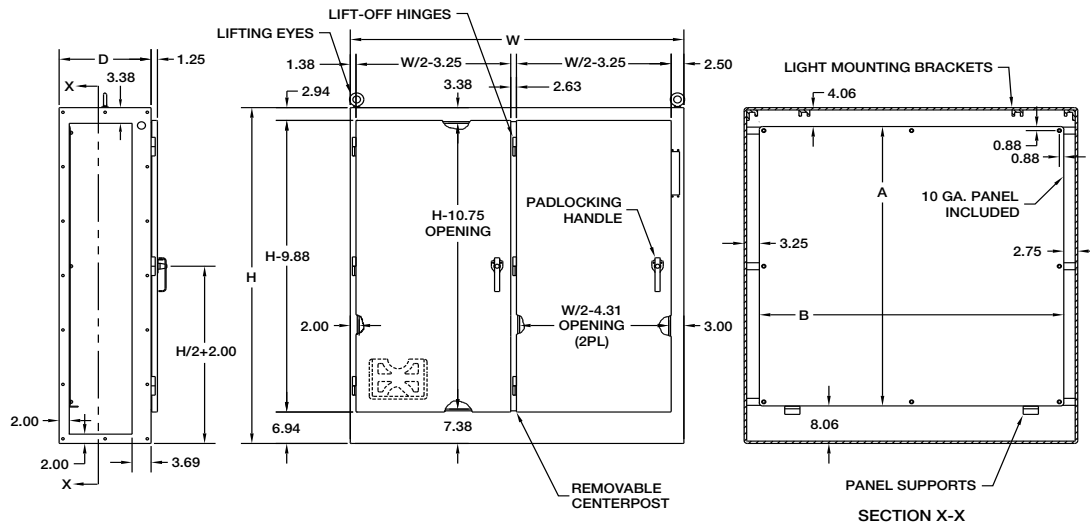
**WMOD SERIES ENCLOSURES
NEMA 12 MODULAR FREESTANDING DISCONNECT**

WMOD SERIES TWO DOOR MODULAR RIGHT FLANGE DISCONNECT (LEFT SIDE OPEN)			
CATALOG NUMBER	BODY/DOOR STEEL GAUGE	ENCLOSURE SIZE H X W X D	BACK PANEL SIZE A X B*
WMOD72X7818U	10/10	72.13x78.00x18.13 (1832x1981x460)	60.00x72.00 (1524x1829)
WMOD84X7818U	10/10	84.13x78.00x18.13 (2137x1981x460)	72.00x72.00 (1829x1829)
WMOD84X7824U	10/10	84.13x78.00x24.13 (2137x1981x613)	72.00x72.00 (1829x1829)

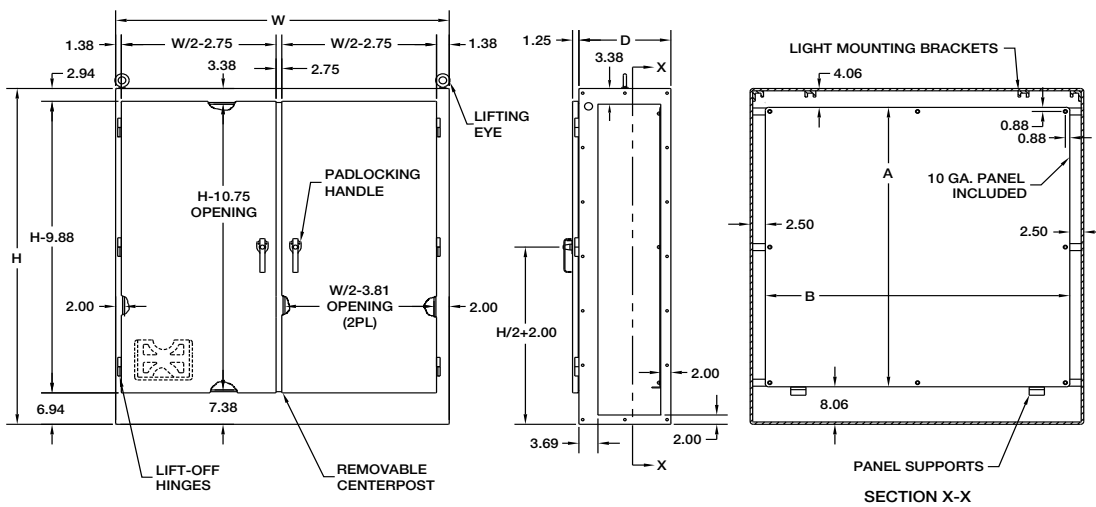
WMOD SERIES TWO DOOR MODULAR NON-DISCONNECT (BOTH SIDES OPEN)			
CATALOG NUMBER	BODY/DOOR STEEL GAUGE	ENCLOSURE SIZE H X W X D	BACK PANEL SIZE A X B*
WMOD727718	10/10	72.13x77.00x18.13 (1832x1956x460)	60.00x72.00 (1524x1829)
WMOD847718	10/10	84.13x77.00x18.13 (2137x1956x460)	72.00x72.00 (1829x1829)
WMOD847724	10/10	84.13x77.00x24.13 (2137x1956x613)	72.00x72.00 (1829x1829)

*Back panels are furnished with enclosures.

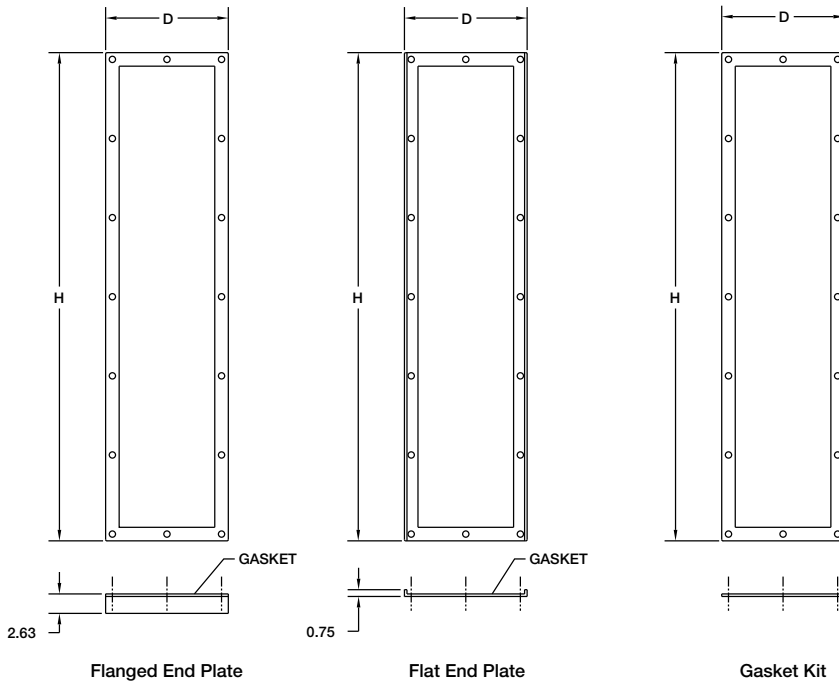
Two-Door Right Flange Disconnect with left side open



Two-Door enclosure with both sides open



ACCESSORIES FOR MODULAR WMOD SERIES NEMA 12 FLANGE-MOUNTED DISCONNECTS		
CATALOG NUMBER	BODY/DOOR STEEL GAUGE	SIZE H X D (SEE DRAWING BELOW)
WMOD7218EPT	Formed end plate with gasket and bolts	72.13x18.13 (1832x460)
WMOD7218FTPT	Flat end plate with gasket and bolts	72.00x18.50 (1829x470)
WMOD7218GK	Gasket kit with gasket and bolts	72.00x18.00 (1829x457)
WMOD8418EPT	Formed end plate with gasket and bolts	84.13x18.13 (2137x460)
WMOD8424EPT	Formed end plate with gasket and bolts	84.13x24.13 (2137x613)
WMOD8418FTPT	Flat end plate with gasket and bolts	84.00x18.50 (2134x470)
WMOD8424FTPT	Flat end plate with gasket and bolts	84.00x24.50 (2134x622)
WMOD8418GK	Gasket kit with gasket and bolts	84.00x18.00 (2134x457)
WMOD8424GK	Gasket kit with gasket and bolts	84.00x24.00 (2134x610)



End Plates

Used to seal open end(s) of an assembly of modular enclosures. End plates are available in two types:

- The 2.63" thick End Plates allow extra wiring space. The end plate includes a gasket and mounting bolts.
- The Flat End Plate provides a low profile cover for the open end of a modular enclosure. The flat end plate includes gasket and mounting bolts.

Gasket Kit

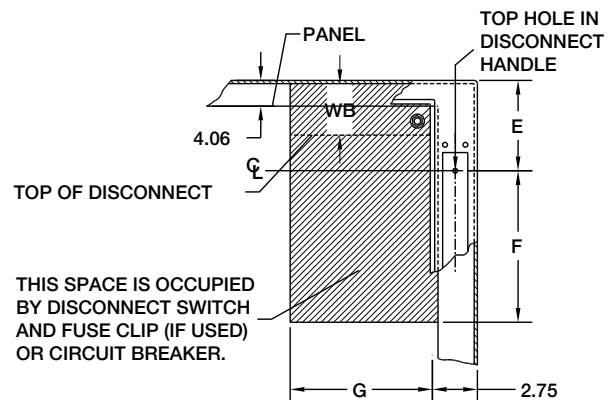
Used to join modular enclosures together, includes gasket and mounting hardware.

Space Occupied by Disconnect

Note:

1. See pages F47-F56 for various brands of disconnects for "E", "F", "G" and "WB" dimensions.
2. Disconnects will occupy space on panel shown by dimensions "E", "F" and "G". Wiring space "WB" is available when disconnect is installed in the enclosure.
3. When ordering 24.13 (613mm) deep enclosures, long connecting rods must be ordered. Long connecting rods are available from disconnect manufacturers.
 - ABB Controls flange-operated devices
 - Cutter-Hammer C361 devices
 - Cutler-Hammer C371 operating mechanisms C371E and C371F, order catalog number C371CS1 connecting rod. For C371G and C371K, order catalog number C371CS2 connecting rod.
 - General Electric TDA devices, order catalog number TDSR extended length drive rod
 - For Square D 9422 devices, order catalog number 9422-R2 extra long operating rod(s). Some devices require two rods.

Refer to *National Electrical Code*® 1996 article 430-10(b) for wiring space required for line side conductors to be connected to disconnect. Verify your application to determine if wiring space is adequate.



DISCONNECT ORDERING INFORMATION

When ordering wall-mounted disconnects from the various manufacturers, be sure to order all of the necessary items. Each company has a different system, so care is required. Order the following items from the disconnect manufacturer.

Allen-Bradley

When using a Bulletin 1494F flange-mounted disconnect switch, order:

1. A disconnect switch
2. A fuse block adapter, if required
3. Line and load connectors, if required

When using a Bulletin 1494D flange-mounted operator for a circuit breaker, order:

1. A circuit breaker (C-H/Westinghouse)
2. A flange-mounted operating mechanism
3. A slide mechanism

When using a Bulletin 1494V disconnect switch, order:

- *1. A disconnect switch
- *2. An operating handle
- *3. A connecting rod (long)
- *4. A trailer fuse block kit, if required
- *5. A fuse clip kit, if required
6. Line and load connectors, if required

When using a Bulletin 1494V circuit breaker operating mechanism, order:

1. A circuit breaker (C-H/Westinghouse)
2. A circuit breaker operating mechanism
3. An operating handle
4. A connecting rod (long)

ABB Controls

When using a disconnect switch, order:

1. A flange operated switch (fusible or non-fusible)
2. A shaft [DSFHS-17 for 18.12" (460mm) deep or DSFHS-22 for 20.12" (511mm) deep enclosures; in 24.12" (613mm) deep enclosures a platform must be used with shaft]
3. A handle (DSFHN-HS12)

When using a circuit breaker, order:

1. A circuit breaker (ABB)
- *2. An operating mechanism
- *3. A shaft [FHS-17 for 18.12" (460mm) deep or FHS-22 for 20.12" (511mm) deep enclosures; in 24.12" (613mm) deep enclosures a platform must be used with shaft]
- *4. Handle mechanism (FHN-HS12)

PLEASE NOTE:

1. Various other switch accessories and circuit breaker accessories are available from disconnect manufacturers. The above information is subject to change without notice. Please contact Hubbell-Wiegmann or the disconnect manufacturer if there are further questions.
2. The "Space Occupied" tables (pages F47-F56) are based upon information supplied by disconnect manufacturers. Hubbell-Wiegmann does not assume responsibility for the accuracy of these dimensions.

* Items available from disconnect manufacturer as complete kits.

Cutler-Hammer/Westinghouse

When using a Type C361 disconnect switch, order:

- *1. A disconnect switch with an operating mechanism
- *2. An operating handle (C361H1 or C361H3)

When using a Type C371 circuit breaker operating mechanism with a C-H/Westinghouse circuit breaker, order:

- *1. A circuit breaker
- *2. An operating mechanism
- *3. An operating handle

When using a Type SM handle mechanism, order:

1. A C-H/Westinghouse or circuit breaker
2. A type SM handle mechanism

When using a Flex Shaft™ handle mechanism, order:

1. A circuit breaker
2. A complete Flex Shaft™ handle mechanism

General Electric

When using a disconnect switch, order:

1. A disconnect switch (Type QMR or QMW)
2. A fuse clip kit or no-fuse kit
3. A flange handle (STDA1 or STDA2)
4. A variable depth operating mechanism
5. An extended length drive rod

When using a circuit breaker, order:

1. A circuit breaker
2. A flange handle (STDA1 or STDA2)
3. A variable depth operating mechanism
4. An extended length drive rod

When using a circuit breaker with a Spectra Flex™ cable operator, order:

1. A circuit breaker
2. A flange-mounted handle mechanism
3. A breaker-mounted mechanism
4. An operating cable

I-T-E Siemens

When using a disconnect switch, order:

1. A basic switch (right-hand)
2. A fuse or no-fuse kit
- *3. FHOHS flange-mounted handle
- *4. Switch operator
- *5. FHOECO48 cable

When using a circuit breaker, order:

1. A circuit breaker
2. Pressure wire connectors
- *3. A flange-mounted handle
- *4. A circuit breaker operator mechanism
- *5. An operating cable [18.12" (460mm) deep or 20.12" (511mm) deep enclosures accept 36.00" (914mm) or 48.00" (1219mm) cables; 24.12" (613mm) deep enclosures require a 48.00" (1219mm) cable]

* These items are available from I-T-E as a complete mechanism with a 36.00" (914mm) operating cable only. Order items separately when using a 48.00" (1219mm) operating cable.

Square D

When using a disconnect switch, order:

1. A disconnect switch with operating mechanism
2. A universal handle mechanism
3. A long operating rod, if required

When using a circuit breaker, order:

1. A circuit breaker
2. An operating mechanism
3. A universal handle mechanism
4. A long operating rod, if required

When using a Class 9422 Type "T" disconnect switch with a cable mechanism, order:

1. A disconnect switch with operating mechanism (Class 9422 Type T)
2. A handle mechanism (Class 9422 Type A-1)
3. A cable mechanism (Class 9422 CFT_O) 3-, 5-, or 10-foot

When using a circuit breaker with a cable mechanism, order:

1. A circuit breaker (Square D)
2. A handle mechanism (Class 9422 Type A-1)
3. A cable mechanism (Class 9422 CFT_O) 3-, 5-, or 10-foot

**FLOOR-MOUNT • FREESTANDING • MODULAR SERIES ENCLOSURES
DISCONNECT SPACE OCCUPIED & AVAILABLE WIRING SPACE INFORMATION**

F47

ALLEN-BRADLEY TYPE 1494F DISCONNECT SWITCHES†											
TYPE NUMBER	AMP RATING	FUSE CLIP	FUSE CLASS	WIRE BEND SPACE "WB" ABOVE DISCONNECT							
				SPACE OCCUPIED			TWO DOOR FLOOR-MOUNT (PAGE F31)		FREESTANDING (PAGES F35-F39) & MODULAR (PAGES F43-F44)		
				F	G*	K	WHEN H=60.12 WB	WHEN H=72.12 WB	WHEN H=72.12 WB	WHEN H=84.12 WB	WHEN H=90.12 WB
N30	30A	No fuse	—	4.62	6.50	0.99	5.31	10.81	9.31	14.81	17.81
NF30	30A	30A-250V	H, K, R	6.50	6.50	0.99	5.31	10.81	9.31	14.81	17.81
NF30	30A	60A-250V	H, K, R	7.25	6.50	0.99	5.31	10.81	9.31	14.81	17.81
NF30	30A	30A-600V	H, K, R	9.25	6.50	0.99	5.31	10.81	9.31	14.81	17.81
NF30	30A	60A-600V	H, K, R	9.75	6.50	0.99	5.31	10.81	9.31	14.81	17.81
NF30	30A	30A-600V	J	6.50	6.50	0.99	5.31	10.81	9.31	14.81	17.81
NF30	30A	60A-600V	J	6.62	6.50	0.99	5.31	10.81	9.31	14.81	17.81
N60	60A	No fuse	—	4.62	6.50	0.99	4.62	10.12	8.62	14.12	17.12
NF60	60A	30A-600V	H, K, R	10.38	6.50	0.99	4.62	10.12	8.62	14.12	17.12
NF60	60A	60A-250V	H, K, R	8.38	6.50	0.99	4.62	10.12	8.62	14.12	17.12
NF60	60A	100A-250V	H, K, R	10.88	6.50	0.99	4.62	10.12	8.62	14.12	17.12
NF60	60A	60A-600V	H, K, R	10.88	6.50	0.99	4.62	10.12	8.62	14.12	17.12
NF60	60A	100A-600V	H, K, R	12.88	6.62	0.99	4.62	10.12	8.62	14.12	17.12
NF60	60A	60A-600V	J	7.75	6.50	0.99	4.62	10.12	8.62	14.12	17.12
NF60	60A	100A-600V	J	9.75	6.50	0.99	4.62	10.12	8.62	14.12	17.12
N100	100A	No fuse	—	4.62	7.25	0.99	—	8.25	6.75	12.25	15.25
NF100	100A	100A-250V	H, K, R	11.38	7.38	0.99	—	8.25	6.75	12.25	15.25
NF100	100A	200A-250V	H, K, R	12.25	7.62	0.99	—	8.25	6.75	12.25	15.25
NF100	100A	100A-600V	H, K, R	13.38	7.50	0.99	—	8.25	6.75	12.25	15.25
NF100	100A	200A-600V	H, K, R	14.75	7.75	0.99	—	8.25	6.75	12.25	15.25
NF100	100A	100A-600V	J	10.12	7.38	0.99	—	8.25	6.75	12.25	15.25
NF100	100A	200A-600V	J	10.88	7.50	0.99	—	8.25	6.75	12.25	15.25
N200	200A	No fuse	—	7.12	10.38	1.06	—	6.62	5.12	10.62	13.62
NF200	200A	200A-250V	H, K, R	15.00	10.38	1.06	—	6.62	5.12	10.62	13.62
NF200	200A	400A-250V	H, K, R	16.56	10.75	1.06	—	6.62	5.12	10.62	13.62
NF200	200A	200A-600V	H, K, R	17.56	10.38	1.06	—	6.62	5.12	10.62	13.62
NF200	200A	400A-600V	H, K, R	19.56	11.00	1.06	—	6.62	5.12	10.62	13.62
NF200	200A	200A-600V	J	13.69	10.38	1.06	—	6.62	5.12	10.62	13.62
NF200	200A	400A-600V	J	15.00	10.62	1.06	—	6.62	5.12	10.62	13.62

ALLEN-BRADLEY TYPE 1494D OPERATORS FOR CIRCUIT BREAKERS†											
TYPE NUMBER	AMP RATING	CIRCUIT BREAKER TYPE FRAME SIZE	WIRE BEND SPACE "WB" ABOVE DISCONNECT								
			SPACE OCCUPIED			TWO DOOR FLOOR-MOUNT (PAGE F31)		FREESTANDING (PAGES F35-F39) & MODULAR (PAGES F43-F44)			
			F	G*	K	WHEN H=60.12 WB	WHEN H=72.12 WB	WHEN H=72.12 WB	WHEN H=84.12 WB	WHEN H=90.12 WB	
N4/N40	150A	Westinghouse EHD, FD, FDB, FDC, HFD, HMCP	5.81	4.56	0.99	5.25	10.75	9.25	14.75	17.75	
N5/N55	225A	General Electric TFK, THFK, TFC	8.81	4.75	0.99	4.44	9.94	8.44	13.94	16.94	
N5/N50	250A	Westinghouse JD, JDB, JDC, HJD, HMCP	8.81	4.75	0.99	4.44	9.84	8.44	13.94	16.94	
N5/N60	400A	Westinghouse KD, KDB, KDC, HKD, HMCP	8.81	5.88	0.99	—	10.00	8.50	14.00	17.00	

*The "G" dimension does not include space for auxiliary switches. See Allen-Bradley instructions for additional space required.

†For Two Door Floor-Mount NEMA 12 "E" = 5.88 when "H" = 60.12
 "E" = 11.38 when "H" = 72.12, except 200A switches
 "E" = 10.06 when "H" = 72.12, 200A switches only

For Heavy Duty Freestanding and Modular Enclosures "E" = 9.88 when "H" = 72.12, except 200A switch "E" = 8.56 when "H" = 72.12, 200A switch
 "E" = 15.38 when "H" = 84.12, except 200A switch "E" = 14.06 when "H" = 84.12, 200A switch
 "E" = 18.38 when "H" = 90.12, except 200A switch "E" = 17.06 when "H" = 90.12, 200A switch

**FLOOR-MOUNT • FREESTANDING • MODULAR SERIES ENCLOSURES
DISCONNECT SPACE OCCUPIED & AVAILABLE WIRING SPACE INFORMATION**

ALLEN-BRADLEY TYPE 1494V DISCONNECT SWITCHES†											
							WIRE BEND SPACE "WB" ABOVE DISCONNECT				
							TWO DOOR FLOOR-MOUNT (PAGE F31)		FREESTANDING (PAGES F35-F39) & MODULAR (PAGES F43-F44)		
TYPE NUMBER	AMP RATING	FUSE CLIP	FUSE CLASS	SPACE OCCUPIED			WHEN H=60.12 WB	WHEN H=72.12 WB	WHEN H=72.12 WB	WHEN H=84.12 WB	WHEN H=90.12 WB
				F	G*	K					
DS30	30A	No fuse	—	3.88	6.75	0.56	6.00	11.50	10.00	15.50	18.50
DS30	30A	30A-250V	H, K, R	5.25	6.75	0.56	6.00	11.50	10.00	15.50	18.50
DS30	30A	30A-600V	H, K, R	8.00	6.75	0.56	6.00	11.50	10.00	15.50	18.50
DS30	30A	30A-600V	J	5.25	6.75	0.56	6.00	11.50	10.00	15.50	18.50
DS30	30A	60A-250V	H, K	6.00	6.75	0.56	6.00	11.50	10.00	15.50	18.50
DS30	30A	60A-600V	H, K	8.50	6.75	0.56	6.00	11.50	10.00	15.50	18.50
DS30	30A	60A-600V	J	5.38	6.75	0.56	6.00	11.50	10.00	15.50	18.50
DS60	60A	No fuse	—	3.88	6.75	0.56	5.81	11.31	9.81	15.31	18.31
DS60	60A	60A-250V	H, K, R	6.00	6.75	0.56	5.81	11.31	9.81	15.31	18.31
DS60	60A	60A-600V	H, K, R	8.50	6.75	0.56	5.81	11.31	9.81	15.31	18.31
DS60	60A	60A-600V	J	5.38	6.75	0.56	5.81	11.31	9.81	15.31	18.31
DS60	60A	30A-600V	H, K, R	8.00	6.75	0.56	5.81	11.31	9.81	15.31	18.31
DS60	60A	100A-250V	H, K	8.50	6.75	0.56	5.81	11.31	9.81	15.31	18.31
DS60	60A	100A-600V	H, K	10.50	6.75	0.56	5.81	11.31	9.81	15.31	18.31
DS60	60A	100A-600V	J	7.25	6.75	0.56	5.81	11.31	9.81	15.31	18.31
DS100**	100A	No fuse	—	3.88	6.75	0.56	5.81	11.31	9.81	15.31	18.31
DS100**	100A	100A-250V	H, K, R	8.12	6.75	0.56	5.81	11.31	9.81	15.31	18.31
DS100**	100A	100A-600V	H, K, R	10.12	6.75	0.56	5.81	11.31	9.81	15.31	18.31
DS100**	100A	100A-600V	J	6.80	6.75	0.56	5.81	11.31	9.81	15.31	18.31
DS100**	100A	60A-600V	H, K, R	10.12	6.75	0.56	5.81	11.31	9.81	15.31	18.31
DS100**	100A	60A-600V	J	8.88	6.75	0.56	5.81	11.31	9.81	15.31	18.31
DS200**	200A	No fuse	—	4.75	8.00	0.56	4.34	9.84	8.34	13.84	16.84
DS200**	200A	200A-250V	H, K, R	10.88	8.00	0.56	4.34	9.84	8.34	13.84	16.84
DS200**	200A	200A-600V	H, K, R	13.88	8.00	0.56	4.34	9.84	8.34	13.84	16.84
DS200**	200A	200A-600V	J	9.50	8.00	0.56	4.34	9.84	8.34	13.84	16.84
DS200**	200A	100A-600V	H, K, R	12.00	8.00	0.56	4.34	9.84	8.34	13.84	16.84
DS200**	200A	100A-600V	J	8.75	8.00	0.56	4.34	9.84	8.34	13.84	16.84
DS400	400A	No fuse	—	10.75	11.00	—	—	—	—	9.64	12.64
DS400	400A	400A-250V	H, K, R	16.12	11.00	—	—	—	—	9.64	12.64
DS400	400A	400A-600V	H, K, R	19.12	11.00	—	—	—	—	9.64	12.64
DS400	400A	400A-600V	J	14.62	11.00	—	—	—	—	9.64	12.64
DS600	600A	No fuse	—	10.75	11.00	—	—	—	—	9.64	12.64
DS600***	600A	600A-250V	H, R	10.75	11.00	—	—	—	—	9.64	12.64
DS600***	600A	600A-600V	H, R	10.75	11.00	—	—	—	—	9.64	12.64
DS600	600A	600A-600V	J	17.59	11.00	—	—	—	—	9.64	12.64

* The "G" dimension does not include space for auxiliary switches. See Allen-Bradley instructions for additional space required.

** Series B

*** "F" and "G" do not include separately mounted fuse block.

†For Two Door Floor-Mount NEMA 12 "E" = 7.88 when "H" = 60.12
"E" = 13.38 when "H" = 72.12

For Heavy Duty Freestanding and Modular Enclosures "E" = 11.88 when "H" = 72.12
"E" = 17.38 when "H" = 84.12, except 400A or 600A switches
"E" = 20.38 when "H" = 90.12, except 400A or 600A switches
"E" = 15.93 when "H" = 84.12, 400A and 600A switches only
"E" = 18.93 when "H" = 90.12, 400A and 600A switches only

**FLOOR-MOUNT • FREESTANDING • MODULAR SERIES ENCLOSURES
DISCONNECT SPACE OCCUPIED & AVAILABLE WIRING SPACE INFORMATION**

ALLEN-BRADLEY TYPE 1494V OPERATORS FOR CIRCUIT BREAKERS†										
				WIRE BEND SPACE "WB" ABOVE DISCONNECT						
				TWO DOOR FLOOR-MOUNT (PAGE F31)			FREESTANDING (PAGES F35-F39) & MODULAR (PAGES F43-F44)			
TYPE NUMBER	AMP RATING	CIRCUIT BREAKER TYPE FRAME SIZE	SPACE OCCUPIED			WHEN H=60.12 WB	WHEN H=72.12 WB	WHEN H=72.12 WB	WHEN H=84.12 WB	WHEN H=90.12 WB
			F	G*	K					
M40	15A-150A	Westinghouse EHD, FD, FDB, FDC, HFD, HMCP	5.00	4.62	0.56	7.25	12.75	11.25	16.75	19.75
M50	70A-250A	Westinghouse JD, JDB, JDC, HJD, HMCP	9.75	4.88	0.56	6.81	12.31	10.81	16.31	19.31
M60	100A-400A	Westinghouse KD, KDB, KDC, HKD, HMCP	9.69	6.25	0.56	—	12.12	10.62	16.12	19.12

*The "G" dimension does not include space for auxiliary switches. See Allen-Bradley instructions for additional space required.

†For Two Door Floor-Mount NEMA 12 "E" = 7.88 when "H" = 60.12
"E" = 13.38 when "H" = 72.12

For Heavy Duty Freestanding and Modular Enclosures "E" = 11.88 when "H" = 72.12
"E" = 17.38 when "H" = 84.12, except 400A or 600A switches
"E" = 20.38 when "H" = 90.12, except 400A or 600A switches
"E" = 15.93 when "H" = 84.12, 400A and 600A switches only
"E" = 18.93 when "H" = 90.12, 400A and 600A switches only

ABB CONTROLS DISCONNECT SWITCHES WITH FLANGE-MOUNTED OPERATORS†											
				WIRE BEND SPACE "WB" ABOVE DISCONNECT							
				TWO DOOR FLOOR-MOUNT (PAGE F31)			FREESTANDING (PAGES F35-F39) & MODULAR (PAGES F43-F44)				
SWITCH NUMBER	AMP RATING	FUSE CLIP	FUSE CLASS	SPACE OCCUPIED			WHEN H=60.12 WB	WHEN H=72.12 WB	WHEN H=72.12 WB	WHEN H=84.12 WB	WHEN H=90.12 WB
				F	G	K					
OETL-NF30-F	40A	No fuse	—	4.45	3.91	0.56	9.53	15.03	13.53	19.03	22.03
OETL-NF60-F	80A	No fuse	—	4.86	3.91	0.56	9.34	14.84	13.34	18.84	21.84
OETL-NF100-F	100A	No fuse	—	4.86	4.91	0.56	8.78	17.28	15.78	21.28	24.28
OETL-NF175-F	175A	No fuse	—	7.30	6.62	0.56	6.53	12.03	10.53	16.03	19.03
OETL-NF200-F	200A	No fuse	—	7.36	7.41	0.56	6.53	12.03	10.53	16.03	19.03
OESA-F30J6-F	30A	30A-600V	J	4.28	6.70	0.56	7.85	13.36	11.86	17.36	20.36
OESA-F60J6-F	60A	60A-600V	J	4.28	6.39	0.56	7.85	13.36	11.86	17.36	20.36
OESA-F100J6-F	100A	100A-600V	J	6.54	7.78	0.56	7.42	12.92	11.42	16.92	19.92

ABB CONTROLS CIRCUIT BREAKERS WITH FLANGE-MOUNTED OPERATORS†										
				WIRE BEND SPACE "WB" ABOVE DISCONNECT						
				TWO DOOR FLOOR-MOUNT (PAGE F31)			FREESTANDING (PAGES F35-F39) & MODULAR (PAGES F43-F44)			
MECHANISM	AMP RATING	FRAME TYPE	SPACE OCCUPIED			WHEN H=60.12 WB	WHEN H=72.12 WB	WHEN H=72.12 WB	WHEN H=84.12 WB	WHEN H=90.12 WB
			F	G	K					
FHD-M	150A	D	6.92	4.06	0.56	8.42	13.92	12.42	17.92	20.92
FHF-M	150A, 225A	E/Q	5.98	4.55	0.56	6.97	12.47	10.97	16.47	19.47
FHF-M	225A	F	7.44	4.55	0.56	6.97	12.47	10.97	16.47	19.47
FHJ-M	400A	J	9.71	5.75	0.56	5.02	10.52	9.02	14.52	17.52
FHM-M	600A	L	8.28	11.39	0.56	—	10.03	8.53	14.03	17.03
FHM-M	800A	M	10.11	11.39	0.56	—	9.62	8.12	13.62	16.62
FHN-M	1200A	N	12.18	11.39	0.56	—	—	—	9.81	12.81

†For Two Door Floor-Mount NEMA 12 "E" = 7.88 when "H" = 60.12
"E" = 13.38 when "H" = 72.12

For Heavy Duty Freestanding and Modular Enclosures "E" = 11.88 when "H" = 72.12
"E" = 17.38 when "H" = 84.12
"E" = 20.38 when "H" = 90.12

**FLOOR-MOUNT • FREESTANDING • MODULAR SERIES ENCLOSURES
DISCONNECT SPACE OCCUPIED & AVAILABLE WIRING SPACE INFORMATION**

CUTLER-HAMMER C361 DISCONNECT SWITCHES†											
							WIRE BEND SPACE "WB" ABOVE DISCONNECT				
							TWO DOOR FLOOR-MOUNT (PAGE F31)		FREESTANDING (PAGES F35-F39) & MODULAR (PAGES F43-F44)		
TYPE NUMBER	AMP RATING	FUSE CLIP	FUSE CLASS	SPACE OCCUPIED			WHEN H=60.12 WB	WHEN H=72.12 WB	WHEN H=72.12 WB	WHEN H=84.12 WB	WHEN H=90.12 WB
				F	G	K					
C361NC	30A	No fuse	—	5.75	7.55	0.56	6.50	12.00	10.50	16.00	19.00
C361SC21	30A	30A-250V	H, K, R	8.38	7.55	0.56	6.50	12.00	10.50	16.00	19.00
C361SC61	30A	60A-250V	H, K, R	8.38	7.55	0.56	6.50	12.00	10.50	16.00	19.00
C361SC61	30A	30A-600V	H, J, K, R	8.38	7.55	0.56	6.50	12.00	10.50	16.00	19.00
C361ND	60A	No fuse	—	5.75	7.55	0.56	6.50	12.00	10.50	16.00	19.00
C361SD22	60A	60A-250V	H, K, R	8.38	7.55	0.56	6.50	12.00	10.50	16.00	19.00
C361SD22	60A	30A-600V	J	8.38	7.55	0.56	6.50	12.00	10.50	16.00	19.00
C361SD62	60A	60A-600V	H, K, R	8.38	7.55	0.56	6.50	12.00	10.50	16.00	19.00
C361SD62	60A	60A-600V	J	8.38	7.55	0.56	6.50	12.00	10.50	16.00	19.00
C361NE	100A	No fuse	—	5.56	9.07	0.56	6.06	11.56	10.06	15.56	18.56
C361SE263	100A	100A-250V	H, K, R	10.31	9.07	0.56	6.06	11.56	10.06	15.56	18.56
C361SE263	100A	100A-250V	H, K, R	10.31	9.07	0.56	6.06	11.56	10.06	15.56	18.56
C361SE263	100A	100A-600V	J	10.31	9.07	0.56	6.06	11.56	10.06	15.56	18.56
C361NF	200A	No fuse	—	13.06	10.12	0.56	4.06	9.62	8.06	13.62	16.62
C361SF264	200A	200A-250V	H, K, R	13.06	10.12	0.56	4.06	9.62	8.06	13.62	16.62
C361SF264	200A	200A-600V	H, K, R	13.06	10.12	0.56	4.06	9.62	8.06	13.62	16.62

CUTLER-HAMMER C371 CIRCUIT BREAKER OPERATORS FOR C-H/WESTINGHOUSE CIRCUIT BREAKERS†											
							WIRE BEND SPACE "WB" ABOVE DISCONNECT				
							TWO DOOR FLOOR-MOUNT (PAGE F31)		FREESTANDING (PAGES F35-F39) & MODULAR (PAGES F43-F44)		
MECHANISM	AMP RATING	FRAME TYPE	SPACE OCCUPIED			WHEN H=60.12 WB	WHEN H=72.12 WB	WHEN H=72.12 WB	WHEN H=84.12 WB	WHEN H=90.12 WB	
			F	G	K						
C371E	225A	F Frame: EHD, FDB, FD, HFD, FDC	6.00	5.62	0.56	7.62	13.12	11.62	17.12	20.12	
C371E	150A	F Frame: HMCP	6.00	5.62	0.56	7.62	13.12	11.62	17.12	20.12	
C371F	250A	J Frame: JDB, JD, HJD, JDC	8.94	8.12	0.56	7.50*	13.00	11.44	16.94	20.00	
C371F	250A	J Frame: HMCP	10.94	8.12	0.56	7.50*	13.00	11.44	16.94	20.00	
C371F	400A	K Frame: DK, KDB, KD, HKD	9.75	8.12	0.56	7.00*	12.50	11.00	16.50	19.50	
C371F	400A	K Frame: HMCP	9.75	8.12	0.56	7.00*	12.50	11.00	16.50	19.50	
C371G	600A	L Frame: LD, HLD, LDC	8.44	12.00	0.56	—	10.88**	9.38	14.88	17.88	
C371G	600A	L Frame: HMCP	8.44	12.00	0.56	—	10.88**	9.38	14.88	17.88	
C371K	800A	M Frame: MD, MDS	10.25	12.00	0.56	—	—	—	11.31	14.31	
C371K	1200A	N Frame: ND, HND, NDC	10.25	12.00	0.56	—	—	—	11.31***	14.31	

* Available wire bend space "WB" does not allow cable sizes larger than 4/0 AWG in a 60.12-inch tall enclosure.

** Available wire bend space "WB" does not allow cable sizes larger than 300 MCM.

*** Available wire bend space "WB" does not allow cable sizes larger than 350 MCM in a 90.12-inch tall enclosure when using 4 cable per terminal.

See **National Electrical Code® 1996**, table 373-6(b) for more information. Available wire bend space "WB" is insufficient for use with Westinghouse breakers equipped with TA1201NB1 terminals.

†For Two Door Floor-Mount NEMA 12 "E" = 7.88 when "H" = 60.12
"E" = 13.38 when "H" = 72.12

For Heavy Duty Freestanding and Modular Enclosures "E" = 11.88 when "H" = 72.12
"E" = 17.38 when "H" = 84.12
"E" = 20.38 when "H" = 90.12

**FLOOR-MOUNT • FREESTANDING • MODULAR SERIES ENCLOSURES
DISCONNECT SPACE OCCUPIED & AVAILABLE WIRING SPACE INFORMATION**

CUTLER-HAMMER FLEX SHAFT™ OPERATOR MECHANISMS FOR C-H/WESTINGHOUSE CIRCUIT BREAKERS				
COMPLETE OPERATOR MECHANISM	AMP RATING	FRAME TYPE	BREAKER HEIGHT	BREAKER WIDTH
F1S03	225A	F Frame: EHD, FDB, FD, HFD	6.00	4.12
F1S03	150A	F Frame: HMCP	6.00	4.12
F2S03	250A	J Frame: JDB, JD, HJD, JDC	10.00	4.12
F2S03	250A	J Frame: HMCP	10.00	4.12
F3S03	400A	K Frame: DK, KDB, KD, HKD	10.12	5.50
F3S03	400A	K Frame: HMCP	12.45	5.50
F4S04	600A	L Frame: LD, HLD, LDC	10.75	8.25
F4S04	600A	L Frame: HMCP	12.50	8.25
F7S04	800A	M Frame: MD, MDS	16.00	8.25
F5S04	1200A	N Frame: ND, HND, NDC	16.00	8.25
F6S04	2500A	R Frame: RD, CRD, RDC	16.00	15.50

- Catalog numbers for complete mechanisms include a flange-mounted handle, flexible shaft and circuit breaker mechanism.
- The last digit of the catalog number denotes the length of shaft (F1S03 = 3-foot shaft). The F, J, K frame Flex Shafts™ are available in 3-foot to 10-foot lengths. The L, N, R frame Flex Shafts are available in 4-foot to 6-foot lengths.

Space Occupied by Disconnect

- The Flex Shaft™ system allows the circuit breaker to be positioned independent from the flange-mounted handle mechanism.
- Refer to **National Electrical Code® 1996**, article 430-10(b) for wiring space "WB" required for line side conductors.
- Choose the length of shaft based on placement of the circuit breaker in the enclosure ensuring a 4-inch min. bending radius for the Flex Shaft.™
- Space occupied by circuit breaker is determined by overall height "X", width "Y", wire bend space "WB" and location "G" as selected from right to left.

CUTLER-HAMMER TYPE SM SAFETY HANDLE MECHANISMS FOR C-H/WESTINGHOUSE CIRCUIT BREAKERS†									
				WIRE BEND SPACE "WB" ABOVE DISCONNECT					
				TWO DOOR FLOOR-MOUNT (PAGE F31)		FREESTANDING (PAGES F35-F39) & MODULAR (PAGES F43-F44)			
HANDLE MECHANISM	USE WITH CIRCUIT BREAKER	SPACE OCCUPIED			WHEN H=60.12 WB	WHEN H=72.12 WB	WHEN H=72.12 WB	WHEN H=84.12 WB	WHEN H=90.12 WB
		F	G	K					
SM101PR	FB Tri-Pac	8.00	5.38	0.81	6.50	12.00	10.50	16.00	19.00
SM150R	F Frame: EHD, FDB, FD, HFD, FDC	8.00	5.38	0.81	6.50	12.00	10.50	16.00	19.00
SM250JR	J Frame: JDB, JD, HJD, JDC	8.50	7.50	0.81	—	9.50	8.00	13.50	16.50
SM400KR	K Frame: DK, KDB, KD, HKD	9.06	7.50	0.81	—	9.12	7.62	13.12	16.12
SM400PR	LA Tri-Pac	14.44	9.75	0.81	—	9.25	7.75	13.25	16.25
SM600R	L Frame: LD, HLD, LDC	8.81	7.62	0.81	—	—	—	12.38	15.38
SM800R	M Frame: MD, MDS, HMD	10.68	9.75	0.81	—	—	—	9.66	12.66
SM800PR	NB Tri-Pac	16.81	9.75	0.81	—	—	—	9.66	12.66

† For Two Door Floor-Mount NEMA 12 "E" = 7.31 when "H" = 60.12 for up to type SM200
 "E" = 12.81 when "H" = 72.12 for up to type SM200
 "E" = 6.88 when "H" = 60.12 for type SM200 and larger
 "E" = 12.38 when "H" = 72.12 for type SM200 and larger

For Heavy Duty Freestanding and Modular Enclosures "E" = 11.31 when "H" = 72.12 for up to type SM200
 "E" = 16.81 when "H" = 84.12 for up to type SM200
 "E" = 19.81 when "H" = 90.12 for up to type SM200
 "E" = 10.88 when "H" = 72.12 for type SM200 and larger
 "E" = 16.38 when "H" = 84.12 for type SM200 and larger
 "E" = 19.38 when "H" = 90.12 for type SM200 and larger

**FLOOR-MOUNT • FREESTANDING • MODULAR SERIES ENCLOSURES
DISCONNECT SPACE OCCUPIED & AVAILABLE WIRING SPACE INFORMATION**

GENERAL ELECTRIC TYPE STDA DISCONNECT SWITCH OPERATORS†											
							WIRE BEND SPACE "WB" ABOVE DISCONNECT				
							TWO DOOR FLOOR-MOUNT (PAGE F31)		FREESTANDING (PAGES F35-F39) & MODULAR (PAGES F43-F44)		
SWITCH MECHANISM	AMP RATING	FUSE CLIP	FUSE CLASS	SPACE OCCUPIED			WHEN H=60.12 WB	WHEN H=72.12 WB	WHEN H=72.12 WB	WHEN H=84.12 WB	WHEN H=90.12 WB
				F	G	K					
TDOM1A	30A	No fuse	—	6.88	5.38	0.56	8.38	13.88	12.38	17.88	20.88
TDOM1A	30A	30A-250V	H, R	6.88	5.38	0.56	8.38	13.88	12.38	17.88	20.88
TDOM1B	30A	30A-600V	H, R	11.50	5.38	0.56	8.38	13.88	12.38	17.88	20.88
TDOM1B	30A	60A-250V	H, R	11.50	5.38	0.56	8.38	13.88	12.38	17.88	20.88
TDOM1B	30A	60A-600V	H, R	11.50	5.38	0.56	8.38	13.88	12.38	17.88	20.88
TDOM1A	60A	No fuse	—	6.88	5.38	0.56	8.38	13.88	12.38	17.88	20.88
TDOM1B	60A	60A-250V	H, R	11.50	5.38	0.56	8.38	13.88	12.38	17.88	20.88
TDOM1B	60A	60A-600V	H, R	11.50	5.38	0.56	8.38	13.88	12.38	17.88	20.88
TDOM1B	60A	100A-250V	H, R	11.50	5.38	0.56	8.38	13.88	12.38	17.88	20.88
TDOM1B	60A	100A-600V	H, R	11.50	5.38	0.56	8.38	13.88	12.38	17.88	20.88
TDOM1A	100A	No fuse	—	6.88	5.38	0.56	8.38	13.88	12.38	17.88	20.88
TDOM1B	100A	100A-250V	H, R	11.50	5.38	0.56	8.38	13.88	12.38	17.88	20.88
TDOM1B	100A	100A-600V	H, R	11.50	5.38	0.56	8.38	13.88	12.38	17.88	20.88
TDOM1B	100A	200A-250V	H, R	11.50	5.38	0.56	8.38	13.88	12.38	17.88	20.88
TDOM1B	100A	200A-600V	H, R	11.50	5.38	0.56	8.38	13.88	9.69	17.88	20.88
TDOM2	200A	No fuse	—	7.00	9.25	0.56	5.69	11.19	9.69	15.19	18.19
TDOM2	200A	200A-250V	H, R	15.38	9.25	0.56	5.69	11.19	9.69	15.19	18.19
TDOM2	200A	200A-600V	H, R	15.38	9.25	0.56	5.69	11.19	9.69	15.19	18.19

GENERAL ELECTRIC TYPE STDA CIRCUIT BREAKERS OPERATORS†											
							WIRE BEND SPACE "WB" ABOVE DISCONNECT				
							TWO DOOR FLOOR-MOUNT (PAGE F31)		FREESTANDING (PAGES F35-F39) & MODULAR (PAGES F43-F44)		
CIRCUIT BREAKER MECHANISM	AMP RATING	FRAME TYPE	SPACE OCCUPIED			WHEN H=60.12 WB	WHEN H=72.12 WB	WHEN H=72.12 WB	WHEN H=84.12 WB	WHEN H=90.12 WB	
			F	G	K						
SDOM1A	150A	TEB, TED, THED	6.88	5.38	0.56	7.24	12.74	11.24	16.74	19.74	
SDOM1A	150A	TEC	6.88	5.38	0.56	7.24	12.74	11.24	16.74	19.74	
TDOM1B	150A	TBI	11.50	5.38	0.56	7.24	12.74	11.24	16.74	19.74	
TDOM1B	150A	TEC, TECL	11.50	5.38	0.56	7.24	12.74	11.24	16.74	19.74	
TDOM1C	150A	TEL	6.88	5.38	0.56	7.24	12.74	11.24	16.74	19.74	
TDOM1D	150A	THLCI	6.88	5.38	0.56	5.87	11.37	9.87	15.37	18.37	
TDOM3	225A	TFJ	10.38	5.88	0.56	6.81	12.31	10.81	16.31	19.31	
TDOM3	225A	TFK, THFK, TFL	10.38	5.88	0.56	6.81	12.31	10.81	16.31	19.31	
TDOM4	400A	TJJ, TJK4, THJK4, TJL4V	8.25	9.50	0.56	—	11.41	9.91	15.41	18.41	
TDOM4	600A	TJK6, THJK6, TJ4V, TJL4V	8.25	9.50	0.56	—	11.41	9.91	15.41	18.41	
TDOM5	400A	TB4, TJH6S	14.25	9.50	0.56	—	11.41	9.91	15.41	18.41	
TDOM6	225A	TLB2, THLC2	11.75	9.50	0.56	—	10.85	—	14.85	17.85	
TDOM6	400A	TLB4, THLC4	11.75	9.50	0.56	—	9.47	—	13.47	16.47	
TDOM6	800A-1200A	TKMA, THKMA, TK4V	11.75	9.50	0.56	—	—	—	—	17.88	
TDOM6	1200A	TK4V, THK4V	11.75	9.50	0.56	—	—	—	—	17.88	
TDOM7	600A	TB6	18.12	9.50	0.56	—	—	—	11.75	14.75	
TDOM7	800A	TB8	18.12	9.50	0.56	—	—	—	11.75	14.75	
TDOM7	1200A	TKLI2S	18.12	9.50	0.56	—	—	—	—	14.75	
SDOM1A	150A	SPECTRA SE150	6.88	5.38	0.56	7.24	12.74	11.24	16.74	19.74	
SDOM3	250A	SPECTRA SF250	10.38	5.88	0.56	6.81	11.38	10.81	16.31	19.31	
SDOM4	600A	SPECTRA SG600	10.00	7.12	0.56	—	8.68	—	12.68	15.68	

†For Two Door Floor-Mount NEMA 12 "E" = 7.88 when "H" = 60.12
"E" = 13.38 when "H" = 72.12

For Heavy Duty Freestanding and Modular Enclosures "E" = 11.88 when "H" = 72.12
"E" = 17.38 when "H" = 84.12
"E" = 20.38 when "H" = 90.12

**FLOOR-MOUNT • FREESTANDING • MODULAR SERIES ENCLOSURES
DISCONNECT SPACE OCCUPIED & AVAILABLE WIRING SPACE INFORMATION**

I-T-E DISCONNECT SWITCHES FOR MAX-FLEX™ OPERATORS†								
SWITCH	AMP RATING	FUSE CLIP	FUSE CLASS	DISCONNECT HEIGHT X	DISCONNECT WIDTH Y	TWO DOOR FLOOR-MOUNT	FREESTANDING	MODULAR
MCS603R	30A	No fuse	—	5.52	6.13	For enclosures that accept these devices see page F31.	For enclosures that accept these devices see pages F35-F39	For enclosures that accept these devices see pages F43-F44
MCS603R	30A	30A-250V	H, K, R	8.11	6.13			
MCS603R	30A	30A-600V	H, K, R	10.11	6.13			
MCS603R	30A	30A-600V	J	8.48	6.13			
MCS606R	60A	No fuse	—	5.52	6.13			
MCS606R	60A	60A-250V	H, K, R	7.86	6.13			
MCS606R	60A	60A-600V	H, K, R	10.38	6.13			
MCS606R	60A	60A-600V	J	8.36	6.13			
MCS610R	100A	No fuse	—	7.59	7.38			
MCS610R	100A	100A-250V	H, K, R	11.85	7.38			
MCS610R	100A	100A-600V	H, K, R	13.85	7.38			
MCS610R	100A	100A-600V	J	10.60	7.38			
MCS620R	200A	No fuse	—	9.00	9.17			
MCS620R	200A	200A-250V	H, K, R	14.70	9.17			
MCS620R	200A	200A-600V	H, K, R	17.20	9.17			
MCS620R	200A	200A-600V	J	13.32	9.17			

2 Door Floor-Mount NEMA 12, Heavy Duty Freestanding and Modular Enclosures, that are 24.00-inches deep, require a 48-inch Max-Flex™ cable (minimum cable length).

I-T-E CIRCUIT BREAKERS FOR MAX-FLEX™ OPERATORS†					
COMPLETE OPERATOR MECHANISM	CIRCUIT FRAME SIZE	MAXIMUM AMP RATING	CIRCUIT BREAKER HEIGHT X	CIRCUIT BREAKER WIDTH Y	CIRCUIT BREAKER TYPE
FHOE036	ED	125A	6.34	3.00	ED2, ED4, ED6, HED4, HED6
FHOE036	CED	125A	9.58	3.00	CED6
FHOF036	FD	250A	9.50	4.50	FXD6-A, FD6-A, HFD6, FXD6-ETJ, HHFD6, HHFXD6
FHOF036	CFD	250A	14.25	4.50	CFD6, CFD6-ETI
FHOJ036	JD	400A	11.00	7.50	JXD2, LXD6, JD6, HJD6, HHJD6, HHJXD6, JXD6-ETI
FHOJ036	CJD	400A	17.86	7.50	CJD6, CJD6-ETI
FHOJ036	LD	600A	11.00	7.50	LXD6, LD6, HLD6, HHL6, HHLXD6, LXD6-ETI
FHOJ036	CLD	600A	17.86	7.50	CLD6, CLD6-ETI
FHOLM036	LMD	800A	16.00	9.00	LMD6, LMXD6, HLM6, HLMXD6, LMXD6-ETI
FHON048	MD	800A	24.00	9.00	MD6, MXD6, HMD6, HMXD6, CMD6, MXD6-ETI, CMD6-ETI
FHON048	ND	1200A	24.00	9.00	ND6, NXD6, HND6, HNXD6, CND6
FHON048*	PD	1600A	24.50	13.63	PD6, PXD6, HPD6, HPXD6, CPD6
FHON048*	RD	2000A	24.50	13.63	RD6, RXD6, HRD6, HRXD6

Mechanisms and circuit breakers listed above will fit any 2 Door Floor-Mount NEMA 12, Heavy Duty Freestanding and Modular Enclosure.

Catalog numbers are for complete mechanisms which include flange-mounted handle, flexible operating cable, and circuit breaker operator. The last 3 digits indicate cable length in inches.

24" deep enclosures require longer operating cables. Order components separately.

*Circuit breakers size includes required base mounting block.

Space Occupied by Circuit Breaker

- The I-T-E Max-Flex™ cable system allows the disconnect to be positioned independent from the flange-mounted handle mechanism.
- Refer to **National Electrical Code® 1996**, article 430-10(b) for wiring space "WB" required for line side conductors.
- Refer to Siemens I-T-E installation instructions for limits on disconnect location when using 36" or 48" Max-Flex™ cables.
- Space occupied by disconnect is determined by overall height "X", width "Y", wire bend space "WB" and location "G" as selected from right to left.

†For Two Door Floor-Mount NEMA 12 "E" = 7.88 when "H" = 60.12
 "E" = 13.38 when "H" = 72.12
 (Deduct 1.45 inches from "E" for FHON048 operator mechanism for MD, ND, PD, RD circuit breakers.)

For Heavy Duty Freestanding and Modular Enclosures "E" = 11.88 when "H" = 72.12
 "E" = 17.38 when "H" = 84.12
 "E" = 20.38 when "H" = 90.12
 (Deduct 1.45 inches from "E" for FHON048 operator mechanism for MD, ND, PD, RD circuit breakers.)

**FLOOR-MOUNT • FREESTANDING • MODULAR SERIES ENCLOSURES
DISCONNECT SPACE OCCUPIED & AVAILABLE WIRING SPACE INFORMATION**

SQUARE D CLASS 9422 VARIABLE DEPTH DISCONNECT SWITCHES†											
				WIRE BEND SPACE "WB" ABOVE DISCONNECT							
				TWO DOOR FLOOR-MOUNT (PAGE F31)			FREESTANDING (PAGES F35-F39) & MODULAR (PAGES F43-F44)				
TYPE NUMBER	AMP RATING	FUSE CLIP	FUSE CLASS	SPACE OCCUPIED			WHEN H=60.12 WB	WHEN H=72.12 WB	WHEN H=72.12 WB	WHEN H=84.12 WB	WHEN H=90.12 WB
				F	G	K					
TCN-30	30A	No fuse	—	3.80	6.97	0.56	6.75	12.25	10.75	16.25	19.25
TCF-30	30A	30A-250V	H, K, R	5.53	6.97	0.56	6.75	12.25	10.75	16.25	19.25
TCF-33	30A	30A-600V	H, K, R	8.15	6.97	0.56	6.75	12.25	10.75	16.25	19.25
TCF-33	30A	60A-250V	H, K, R	6.15	6.97	0.56	6.75	12.25	10.75	16.25	19.25
TCF-33	30A	30A-600V	J	5.53	6.97	0.56	6.75	12.25	10.75	16.25	19.25
TDN-60	60A	No fuse	—	3.80	6.97	0.56	6.75	12.25	10.75	16.25	19.25
TDF-60	60A	30A-600V	H, K, R	8.15	6.97	0.56	6.75	12.25	10.75	16.25	19.25
TDF-60	60A	60A-250V	H, K, R	6.15	6.97	0.56	6.75	12.25	10.75	16.25	19.25
TDF-63	60A	60A-600V	H, K, R	8.65	6.97	0.56	6.75	12.25	10.75	16.25	19.25
TDF-63	60A	60A-600V	J	5.53	6.97	0.56	6.75	12.25	10.75	16.25	19.25
TEN-10	100A	No fuse	—	3.80	6.97	0.56	6.62	12.13	10.62	16.13	19.13
TEF-10	100A	100A-250V	H, K, R	8.25	6.97	0.56	6.62	12.13	10.62	16.13	19.13
TEF-10	100A	100A-600V	H, K, R	10.25	6.97	0.56	6.62	12.13	10.62	16.13	19.13
TEF-10	100A	100A-600V	J	7.05	6.97	0.56	6.62	12.13	10.62	16.13	19.13
TEF-13	100A	200A-600V	J	—	—	0.56	6.62	12.13	10.62	16.13	19.13
TC-1	30A	No fuse	—	5.75	6.12	0.56	5.88	11.38	9.88	15.38	18.38
TC-2	30A	30A-250V	H, K, R	5.75	6.12	0.56	5.88	11.38	9.88	15.38	18.38
TC-3	30A	30A-600V	H, K, R	7.75	6.12	0.56	5.88	11.38	9.88	15.38	18.38
TC-3	30A	60A-250V	H, K, R	5.88	6.12	0.56	5.88	11.38	9.88	15.38	18.38
TC-3	30A	30A-600V	J	5.75	6.12	0.56	5.88	11.38	9.88	15.38	18.38
TD-1	60A	No fuse	—	6.38	6.75	0.56	6.75	12.25	10.75	16.25	19.25
TD-2	60A	30A-600V	H, K, R	8.50	6.75	0.56	6.75	12.25	10.75	16.25	19.25
TD-2	60A	60A-250V	H, K, R	6.50	6.75	0.56	6.75	12.25	10.75	16.25	19.25
TD-3	60A	60A-600V	H, K, R	9.00	6.75	0.56	6.75	12.25	10.75	16.25	19.25
TD-3	60A	60A-600V	J	6.38	6.75	0.56	6.75	12.25	10.75	16.25	19.25
TE-1	100A	No fuse	—	4.75	8.50	0.56	6.50	12.00	10.50	16.00	19.00
TE-2	100A	100A-250V	H, K, R	7.50	8.50	0.56	6.50	12.00	10.50	16.00	19.00
TE-2	100A	100A-600V	H, K, R	9.50	8.50	0.56	6.50	12.00	10.50	16.00	19.00
TE-2	100A	100A-600V	J	6.25	8.50	0.56	6.50	12.00	10.50	16.00	19.00
TE-3	100A	200A-600V	J	13.75	8.50	0.56	6.50	12.00	10.50	16.00	19.00
TF-1	200A	No fuse	—	5.50	11.75	0.56	5.12	10.62	9.12	14.62	17.62
TF-2	200A	200A-250V	H, K, R	11.50	11.75	0.56	5.12	10.62	9.12	14.62	17.62
TF-2	200A	200A-600V	H, K, R	14.00	11.75	0.56	5.12	10.62	9.12	14.62	17.62
TF-2	200A	200A-600V	J	10.12	11.75	0.56	5.12	10.62	9.12	14.62	17.62
TF-3	200A	400A-600V	J	14.50	11.75	0.56	5.12	10.62	9.12	14.62	17.62

SQUARE D CLASS 9422 VARIABLE DEPTH OPERATOR CIRCUIT BREAKERS†											
				WIRE BEND SPACE "WB" ABOVE DISCONNECT							
				TWO DOOR FLOOR-MOUNT (PAGE F31)			FREESTANDING (PAGES F35-F39) & MODULAR (PAGES F43-F44)				
TYPE NUMBER	AMP RATING	FRAME TYPE	SPACE OCCUPIED			WHEN H=60.12 WB	WHEN H=72.12 WB	WHEN H=72.12 WB	WHEN H=84.12 WB	WHEN H=90.12 WB	
			F	G	K						
RG-1	75A	GJL	3.53	3.87	0.56	6.69	12.19	10.69	16.19	19.19	
RG-1	100A	GJL	3.53	3.87	0.56	6.69	12.19	10.69	16.19	19.19	
RN-1	100A	FAL, FHL	5.12	5.38	0.56	6.88	12.38	10.88	16.38	19.38	
RP-1	250A	KAL, KHL	7.12	5.75	0.56	7.56	13.06	11.56	17.06	20.06	
RR-1	400A	LAL,LHL,Q4L	7.62	8.88	0.56	—	8.75	—	12.75	15.75	
RT-1	800A	MEL, MXL	9.12	12.00	0.56	—	—	—	12.62	15.62	
RT-1	1000A	MAL, MHL	9.12	12.00	0.56	—	—	—	12.62	15.62	

†For Two Door Floor-Mount NEMA 12

"E" = 7.88 when "H" = 60.12
"E" = 13.38 when "H" = 72.12

For Heavy Duty Freestanding and Modular Enclosures

"E" = 11.88 when "H" = 72.12
"E" = 17.38 when "H" = 84.12
"E" = 20.38 when "H" = 90.12

**FLOOR-MOUNT • FREESTANDING • MODULAR SERIES ENCLOSURES
DISCONNECT SPACE OCCUPIED & AVAILABLE WIRING SPACE INFORMATION**

SQUARE D CLASS 9422 DISCONNECT SWITCHES USED WITH CABLE MECHANISM 9422-CFT30 AND 9422-A1 HANDLE MECHANISM								
TYPE NUMBER	AMP RATING	FUSE CLIP	FUSE CLASS	DISCONNECT HEIGHT X	DISCONNECT WIDTH Y	TWO DOOR FLOOR-MOUNT	FREESTANDING	MODULAR
TCN-30	30A	No fuse	—	5.90	6.20	For enclosures that accept these devices see page F31	For enclosures that accept these devices see pages F35-F39	For enclosures that accept these devices see pages F43-F44
TCF-30	30A	30A-250V	H, K, R	7.50	6.20			
TCF-33	30A	30A-600V	H, K, R	10.15	6.20			
TCF-33	30A	60A-250V	H, K, R	8.15	6.20			
TCF-33	30A	30A-600V	J	7.50	6.20			
TDN-60	60A	No fuse	—	5.90	6.20			
TDF-60	60A	30A-600V	H, K, R	10.15	6.20			
TDF-60	60A	60A-250V	H, K, R	8.15	6.20			
TDF-63	60A	60A-600V	H, K, R	10.65	6.20			
TDF-63	60A	60A-600V	J	7.50	6.20			
TEN-10	100A	No fuse	—	5.90	6.20			
TEF-10	100A	100A-250V	H, K, R	10.35	6.20			
TEF-10	100A	100A-600V	H, K, R	10.35	6.20			
TEF-10	100A	100A-600V	J	10.35	6.20			

Use switches listed above with appropriate cable mechanism and 9422-A1 handle mechanism. Cable operators are available in 3-foot, 5-foot, and 10-foot lengths. Numbers shown (30) are for 3-foot cables.

SQUARE D CLASS 9422 CABLE MECHANISM FOR CIRCUIT BREAKERS							
CABLE TYPE SWITCH	CIRCUIT B AMP RATING	CIRCUIT B FRAME TYPE	CIRCUIT BREAKER HEIGHT X	CIRCUIT BREAKER WIDTH Y	TWO DOOR FLOOR-MOUNT	FREESTANDING	MODULAR
9422 CGJ30	75A	GJL	4.75	3.50	For enclosures that accept these devices, see page F31	For enclosures that accept these devices, see pages F35-F39	For enclosures that accept these devices, see pages F43-F44
9422 CGJ30	100A	GJL	4.75	3.50			
9422 CFA30	100A	FAJ, FHL	6.00	4.50			
9422 CKA30	250A	KAL, KHL	8.00	4.50			
9422 CLA30	400A	LAL, LHL, Q4L	11.00	6.00			

Use cable mechanism with appropriate circuit breaker and 9422-A1 handle mechanism. Cable operators are available in 3-foot, 5-foot, and 10-foot lengths. Numbers shown (30) are for 3-foot cables.

Space Occupied by Disconnect Switch or Circuit Breaker

- Square D cable mechanisms allows disconnect devices to be positioned independent from the flange-mounted handle mechanism.
- Refer to **National Electrical Code® 1996**, article 430-10(b) for wiring space "WB" required for line side conductors.
- Choose cable mechanism length based on placement of disconnect in enclosure. See Square D instruction Bulletin for minimum bend radius for cable.
- Space occupied by disconnect is determined by overall height "X", width "Y", wire bend space "WB" and location "G" as selected from right to left.

†For Two Door Floor-Mount NEMA 12 "E" = 7.88 when "H" = 60.12
"E" = 13.38 when "H" = 72.12

For Heavy Duty Freestanding and Modular Enclosures "E" = 11.88 when "H" = 72.12
"E" = 17.38 when "H" = 84.12
"E" = 20.38 when "H" = 90.12



WA21ABA



WA22BAP

FEATURES-SPECIFICATIONS

OPERATOR ADAPTER PLATES

- Used on all Wiegmann disconnect enclosures with universal flange cutouts
- An operator adapter plate is required to install a disconnect in all Wiegmann enclosures with a universal cutout on pages F31, F35, F36, F37, F38, F39, F43 and F44.
- Operator adapters include an adapter plate and additional parts used to interlock the master door with the disconnect operating mechanism. Panel drilling and installation instructions are furnished with each adapter
- Each brand and type of disconnect requires a different operator adapter. It is important to select the proper operator adapter and enclosure for the disconnect that you have selected

OPERATOR ADAPTER PLATES	
CATALOG NUMBER	TYPE OF OPERATOR ADAPTER
WA21ABA	Allen-Bradley 1494F and 1494D
WA21ABVA	Allen-Bradley 1494V
WA21CHVA	Cutler-Hammer C361, C371 and C371 Flex Shaft™
WA21CHVA	ABB Controls
WA21GETDA	General Electric STDA
WA21ITE	I-T-E Max-Flex™
WA21SDA	Square D Class 9422, (variable depth and cable mechanism)
WA21WHA	Cutler Hammer/Westinghouse SM

BLANK ADAPTER PLATES

- Used to cover flange cutouts in disconnect enclosures when disconnects are not installed. This greatly increases the versatility of the disconnect enclosures enabling them to also be used as regular Type 12 enclosures
- Wiegmann blank adapter plates are made from heavy gauge steel, with oil-resistant gasket to maintain the dust-tight and oil-tight qualities of the enclosure
- All blank adapter plates are painted ANSI 61 gray polyester powder
- All necessary mounting hardware and instructions are included

BLANK ADAPTER PLATES	
CATALOG NUMBER	TYPE OF OPERATOR ADAPTER
WA21BAP	Blank adapter for universal cutouts on pages F31, F35, F36, F37, F38, F39, F43 and F44.
WA22BAP	Blank adapter for enclosures on page F17
WA3456BAP	Blank adapter for single door wall-mount enclosures on pages F3, F7 and F21.


Industry Standards

UL 870

NEMA/EEMAC Type 1

UL Files E32576

CSA File LL66078

FEATURES-SPECIFICATIONS
Applications

Designed to protect electrical wiring in applications where dirt, dust, oil and water are not serious problems. All sections are open on one side so wires and cable can be laid in along an entire wireway run.

A complete selection of sections and fittings is offered in five sizes:

2.50" x 2.50" (64 x 64)
4.00" x 4.00" (102 x 102)
6.00" x 6.00" (152 x 152)
8.00" x 8.00" (203 x 203)
10.00" x 10.00" (255 x 255)*
12.00" x 12.00" (305 x 305)**

Construction

- 2.50" x 2.50" (64 x 64), 4.00" x 4.00" (102 x 102) 6.00" x 6.00" (152 x 152) bodies and covers are fabricated from 16 gauge steel
- 8.00" x 8.00" (203 x 203), 10.00" x 10.00" (255 x 255), 12.00" x 12.00" (305 x 305) bodies and covers are fabricated from 14 gauge steel
- Available with or without knockouts in all sizes except the 10.00" x 10.00" (255 x 255) and 12.00" x 12.00" (305 x 305) which are available without knockouts only (See knockout pattern chart)

- HS Series combination hinge/screw cover design offers easy access to open top for "lay-in" of wireway. Screws do not need to be removed to open top
- S Series screw cover design covers held firmly in place with captivated screw fasteners
- Straight sections with knockouts are provided on side walls on wireways

Finish

- ANSI 61 gray polyester powder inside and out over phosphatized surfaces
- Pre-galvanized steel is unpainted

HS & S SERIES WIREWAYS (STRAIGHT SECTIONS)										
CATALOG NUMBER										LENGTH
2.50 x 2.50 (64 x 64)		4.00 x 4.00 (102 x 102)		6.00 x 6.00 (152 x 152)		8.00 x 8.00 (203 x 203)		10.00 x 10.00* (254 x 254)	12.00 x 12.00** (305 x 305)	
WITH KNOCKOUTS	WITHOUT KNOCKOUTS	WITH KNOCKOUTS	WITHOUT KNOCKOUTS	WITH KNOCKOUTS	WITHOUT KNOCKOUTS	WITH KNOCKOUTS	WITHOUT KNOCKOUTS	WITHOUT KNOCKOUTS	WITHOUT KNOCKOUTS	
HINGE COVER										
HS221	HS221NK	HS441	HS441NK	HS661	HS661NK	HS881	HS881NK	—	HS12121NK	12.00" (305)
HS222	HS222NK	HS442	HS442NK	HS662	HS662NK	HS882	HS882NK	—	HS12122NK	24.00" (610)
HS223	HS223NK	HS443	HS443NK	HS663	HS663NK	HS883	HS883NK	—	HS12123NK	36.00" (914)
HS224	HS224NK	HS444	HS444NK	HS664	HS664NK	HS884	HS884NK	—	HS12124NK	48.00" (1219)
HS225	HS225NK	HS445	HS445NK	HS665	HS665NK	HS885	HS885NK	—	HS12125NK	60.00" (1524)
HS226	HS226NK	HS446	HS446NK	HS666	HS666NK	HS886	HS886NK	—	HS12126NK	72.00" (1829)
HS2210	HS2210NK	HS4410	HS4410NK	HS6610	HS6610NK	HS8810	HS8810NK	—	HS121210NK	120.00" (3048)
SCREW COVER										
S2212	S2212NK	S4412	S4412NK	S6612	S6612NK	S8812	S8812NK	S101012NK	S121212NK	12.00" (305)
S2224	S2224NK	S4424	S4424NK	S6624	S6624NK	S8824	S8824NK	S101024NK	S121224NK	24.00" (610)
S2236	S2236NK	S4436	S4436NK	S6636	S6636NK	S8836	S8836NK	S101036NK	S121236NK	36.00" (914)
S2248	S2248NK	S4448	S4448NK	S6648	S6648NK	S8848	S8848NK	S101048NK	S121248NK	48.00" (1219)
S2260	S2260NK	S4460	S4460NK	S6660	S6660NK	S8860	S8860NK	S101060NK	S121260NK	60.00" (1524)
S2272	S2272NK	S4472	S4472NK	S6672	S6672NK	S8872	S8872NK	S101072NK	S121272NK	72.00" (1829)
S22120	S22120NK	S44120	S44120NK	S66120	S66120NK	S88120	S88120NK	S1010120NK	S1212120NK	120.00" (3048)
S SERIES WIREWAYS (STRAIGHT SECTION) GALVANIZED										
S2212G	S2212GNK	S4412G	S4412GNK	S6612G	S6612GNK	S8812G	S8812GNK	S101012GNK	S121212GNK	12.00" (305)
S2224G	S2224GNK	S4424G	S4424GNK	S6624G	S6624GNK	S8824G	S8824GNK	S101024GNK	S121224GNK	24.00" (610)
S2236G	S2236GNK	S4436G	S4436GNK	S6636G	S6636GNK	S8836G	S8836GNK	S101036GNK	S121236GNK	36.00" (914)
S2248G	S2248GNK	S4448G	S4448GNK	S6648G	S6648GNK	S8848G	S8848GNK	S101048GNK	S121248GNK	48.00" (1219)
S2260G	S2260GNK	S4460G	S4460GNK	S6660G	S6660GNK	S8860G	S8860GNK	S101060GNK	S121260GNK	60.00" (1524)
S2272G	S2272GNK	S4472G	S4472GNK	S6672G	S6672GNK	S8872G	S8872GNK	S101072GNK	S121272GNK	72.00" (1829)
S22120G	S22120GNK	S44120G	S44120GNK	S66120G	S66120GNK	S88120G	S88120GNK	S1010120GNK	S1212120GNK	120.00" (3048)

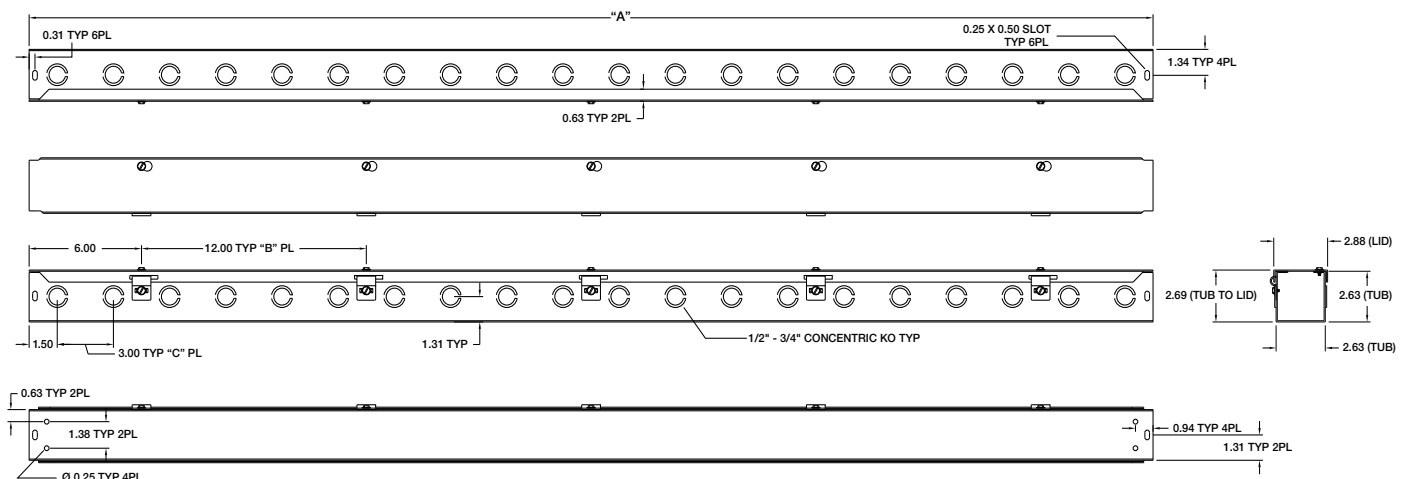
* 10" x 10" S SERIES only. Not UL listed. (Consult factory for dimensions and drawings for 10" x 10" wireway straight sections.)

** 12" x 12" not UL Listed. (Consult factory for dimensions and drawings for 12" x 12" wireway straight sections.)

HS & S SERIES WIREWAY ACCESSORIES						
CATALOG NUMBER						DESCRIPTION
2.50 x 2.50 (64 x 64)	4.00 x 4.00 (102 x 102)	6.00 x 6.00 (152 x 152)	8.00 x 8.00 (203 x 203)	10.00 x 10.00* (254 x 254)	12.00 x 12.00* (305 x 305)	
—	E0404	E0606	E0808	—	—	End caps (with knockouts)
E0202NK	—	—	—	E1010NK	E1212NK	End caps (without knockouts)
T0202	T0404	T0606	T0808	T1010	T1212	Tee
X0202	X0404	X0606	X0808	X1010	X1212	Cross
AF0202	AF0404	AF0606	AF0808	AF1010	AF1212	Telescope
C0202	C0404	C0606	C0808	C1010	C1212	Connectors
PA0202	PA0404	PA0606	PA0808	PA1010	PA1212	Panel-Adapter
BH0202	BH0404	BH0606	BH0808	BH1010	BH1212	Bracket Hanger
—	R0402	R0604	R0806	R1008	R1208	Reducer
SL020290	SL040490	SL060690	SL080890	SL101090	SL121290	Sweep Elbow – 90°
L020290	L040490	L060690	L080890	L101090	L121290	Elbow – 90°
L020245	L040445	L060645	L080845	L101045	L121245	Elbow – 45°
S SERIES ACCESSORIES (GALVANIZED)						
—	E0404G	E0606G	E0808G	—	—	End caps (without knockouts)
E0202GNK	—	—	—	E1010GNK	E1212GNK	End caps (with knockouts)
T0202G	T0404G	T0606G	T0808G	T1010G	T1212G	Galvanized Tee
X0202G	X0404G	X0606G	X0808G	X1010G	X1212G	Galvanized Cross
AF0202G	AF0404G	AF0606G	AF0808G	AF1010G	AF1212G	Galvanized Telescope
C0202G	C0404G	C0606G	C0808G	C1010G	C1212G	Galvanized Connectors
PA0202G	PA0404G	PA0606G	PA0808G	PA1010G	PA1212G	Galvanized Panel-Adapter
BH0202G	BH0404G	BH0606G	BH0808G	BH1010G	BH1212G	Galvanized Bracket Hanger
—	R0402G	R0604G	R0806G	R1008G	R1208G	Galvanized Reducer
SL020290G	SL040490G	SL060690G	SL080890G	SL101090G	SL121290G	Galvanized Sweep Elbow – 90°
L020290G	L040490G	L060690G	L080890G	L101090G	L121290G	Galvanized Elbow – 90°
L020245G	L040445G	L060645G	L080845G	L101045G	L121245G	Galvanized Elbow – 45°

HS SERIES 2" STRAIGHT SECTION DIMENSIONS			
CATALOG NUMBER	A	B	C
HS221 & HS221NK	12.00 (300)	—	3.00 (75)
HS222 & HS222NK	24.00 (600)	1.00 (25)	7.00 (175)
HS223 & HS223NK	36.00 (900)	2.00 (50)	11.00 (275)
HS224 & HS224NK	48.00 (1200)	3.00 (75)	15.00 (375)
HS225 & HS225NK	60.00 (1500)	4.00 (100)	19.00 (475)
HS226 & HS226NK	72.00 (1800)	5.00 (125)	23.00 (575)
HS2210 & HS2210NK	120.00 (3000)	9.00 (225)	39.00 (975)

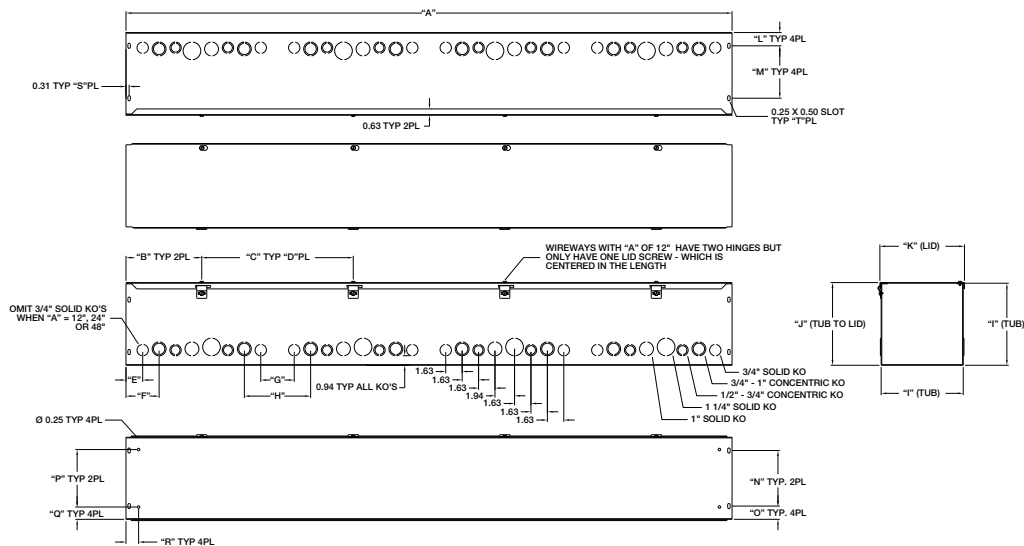
NK = No Knockouts



HS SERIES 2" STRAIGHT SECTION DIMENSIONS

HS SERIES 4", 6", AND 8" STRAIGHT SECTION DIMENSIONS																				
CATALOG NUMBER	A	B	C	D	E	F	G	H	I	J	K	L	M	N	O	P	Q	R	S	T
HS441 & HS441NK	12.00 (300)	3.00 (75)	6.00 (150)	—	—	1.78 (45)	—	—	4.12 (103)	4.19 (105)	4.38 (110)	2.44 (61)	—	—	2.06 (52)	2.69 (67)	.72 (18)	.94 (24)	6.00 (150)	6.00 (150)
HS442 & HS442NK	24.00 (600)	6.00 (150)	12.00 (300)	—	—	1.78 (45)	—	6.56 (164)	4.12 (103)	4.19 (105)	4.38 (110)	2.44 (61)	—	—	2.06 (52)	2.69 (67)	.72 (18)	.94 (24)	6.00 (150)	6.00 (150)
HS443 & HS443NK	36.00 (900)	9.00 (225)	18.00 (450)	—	3.16 (79)	—	6.31 (158)	—	4.12 (103)	4.19 (105)	4.38 (110)	2.44 (61)	—	—	2.06 (52)	2.69 (67)	.72 (18)	.94 (24)	6.00 (150)	6.00 (150)
HS444 & HS444NK	48.00 (1200)	6.00 (150)	12.00 (300)	3.00 (75)	—	1.78 (45)	—	6.56 (164)	4.12 (103)	4.19 (105)	4.38 (110)	2.44 (61)	—	—	2.06 (52)	2.69 (67)	.72 (18)	.94 (24)	6.00 (150)	6.00 (150)
HS445 & HS445NK	60.00 (1500)	7.50 (188)	15.00 (375)	3.00 (75)	1.66 (42)	—	3.31 (83)	—	4.12 (103)	4.19 (105)	4.38 (110)	2.44 (61)	—	—	2.06 (52)	2.69 (67)	.72 (18)	.94 (24)	6.00 (150)	6.00 (150)
HS446 & HS446NK	72.00 (1800)	9.00 (225)	18.00 (450)	3.00 (75)	3.16 (79)	—	6.31 (158)	—	4.12 (103)	4.19 (105)	4.38 (110)	2.44 (61)	—	—	2.06 (52)	2.69 (67)	.72 (18)	.94 (24)	6.00 (150)	6.00 (150)
HS4410 & HS4410NK	120.00 (3000)	7.50 (188)	15.00 (375)	7.00 (175)	1.66 (42)	—	3.31 (83)	—	4.12 (103)	4.19 (105)	4.38 (110)	2.44 (61)	—	—	2.06 (52)	2.69 (67)	.72 (18)	.94 (24)	6.00 (150)	6.00 (150)
HS661 & HS661NK	12.00 (300)	3.00 (75)	6.00 (150)	—	—	1.78 (45)	—	—	6.12 (153)	6.19 (155)	6.38 (160)	1.34 (34)	3.53 (88)	3.56 (89)	1.28 (52)	3.75 (67)	1.19 (18)	1.12 (24)	12.00 (150)	12.00 (150)
HS662 & HS662NK	24.00 (600)	6.00 (150)	12.00 (300)	—	—	1.78 (45)	—	6.56 (164)	6.12 (153)	6.19 (155)	6.38 (160)	1.34 (34)	3.53 (88)	3.56 (89)	1.28 (52)	3.75 (67)	1.19 (18)	1.12 (24)	12.00 (150)	12.00 (150)
HS663 & HS663NK	36.00 (900)	9.00 (225)	18.00 (450)	—	3.16 (79)	—	6.31 (158)	—	6.12 (153)	6.19 (155)	6.38 (160)	1.34 (34)	3.53 (88)	3.56 (89)	1.28 (52)	3.75 (67)	1.19 (18)	1.12 (24)	12.00 (150)	12.00 (150)
HS664 & HS664NK	48.00 (1200)	6.00 (150)	12.00 (300)	3.00 (75)	—	1.78 (45)	—	6.56 (164)	6.12 (153)	6.19 (155)	6.38 (160)	1.34 (34)	3.53 (88)	3.56 (89)	1.28 (52)	3.75 (67)	1.19 (18)	1.12 (24)	12.00 (150)	12.00 (150)
HS665 & HS665NK	60.00 (1500)	7.50 (188)	15.00 (375)	3.00 (75)	1.66 (42)	—	3.31 (83)	—	6.12 (153)	6.19 (155)	6.38 (160)	1.34 (34)	3.53 (88)	3.56 (89)	1.28 (52)	3.75 (67)	1.19 (18)	1.12 (24)	12.00 (150)	12.00 (150)
HS666 & HS666NK	72.00 (1800)	9.00 (225)	18.00 (450)	3.00 (75)	3.16 (79)	—	6.31 (158)	—	6.12 (153)	6.19 (155)	6.38 (160)	1.34 (34)	3.53 (88)	3.56 (89)	1.28 (52)	3.75 (67)	1.19 (18)	1.12 (24)	12.00 (150)	12.00 (150)
HS6610 & HS6610NK	120.00 (3000)	7.50 (188)	15.00 (375)	7.00 (175)	1.66 (42)	—	3.31 (83)	—	6.12 (153)	6.19 (155)	6.38 (160)	1.34 (34)	3.53 (88)	3.56 (89)	1.28 (52)	3.75 (67)	1.19 (18)	1.12 (24)	12.00 (150)	12.00 (150)
HS881 & HS881NK	12.00 (300)	3.00 (75)	6.00 (150)	—	—	1.78 (45)	—	—	8.12 (203)	8.19 (205)	8.38 (210)	1.31 (34)	5.19 (88)	5.50 (89)	1.31 (52)	1.69 (67)	1.22 (18)	1.25 (24)	12.00 (150)	12.00 (150)
HS882 & HS882NK	24.00 (600)	6.00 (150)	12.00 (300)	—	—	1.78 (45)	—	6.56 (164)	8.12 (203)	8.19 (205)	8.38 (210)	1.31 (34)	5.19 (88)	5.50 (89)	1.31 (52)	1.69 (67)	1.22 (18)	1.25 (24)	12.00 (150)	12.00 (150)
HS883 & HS883NK	36.00 (900)	9.00 (225)	18.00 (450)	—	3.16 (79)	—	6.31 (158)	—	8.12 (203)	8.19 (205)	8.38 (210)	1.31 (34)	5.19 (88)	5.50 (89)	1.31 (52)	1.69 (67)	1.22 (18)	1.25 (24)	12.00 (150)	12.00 (150)
HS884 & HS884NK	48.00 (1200)	6.00 (150)	12.00 (300)	3.00 (75)	—	1.78 (45)	—	6.56 (164)	8.12 (203)	8.19 (205)	8.38 (210)	1.31 (34)	5.19 (88)	5.50 (89)	1.31 (52)	1.69 (67)	1.22 (18)	1.25 (24)	12.00 (150)	12.00 (150)
HS885 & HS885NK	60.00 (1500)	7.50 (188)	15.00 (375)	3.00 (75)	1.66 (42)	—	3.31 (83)	—	8.12 (203)	8.19 (205)	8.38 (210)	1.31 (34)	5.19 (88)	5.50 (89)	1.31 (52)	1.69 (67)	1.22 (18)	1.25 (24)	12.00 (150)	12.00 (150)
HS886 & HS886NK	72.00 (1800)	9.00 (225)	18.00 (450)	3.00 (75)	3.16 (79)	—	6.31 (158)	—	8.12 (203)	8.19 (205)	8.38 (210)	1.31 (34)	5.19 (88)	5.50 (89)	1.31 (52)	1.69 (67)	1.22 (18)	1.25 (24)	12.00 (150)	12.00 (150)
HS8810 & HS8810NK	120.00 (3000)	7.50 (188)	15.00 (375)	7.00 (175)	1.66 (42)	—	3.31 (83)	—	8.12 (203)	8.19 (205)	8.38 (210)	1.31 (34)	5.19 (88)	5.50 (89)	1.31 (52)	1.69 (67)	1.22 (18)	1.25 (24)	12.00 (150)	12.00 (150)

NK = No Knockouts

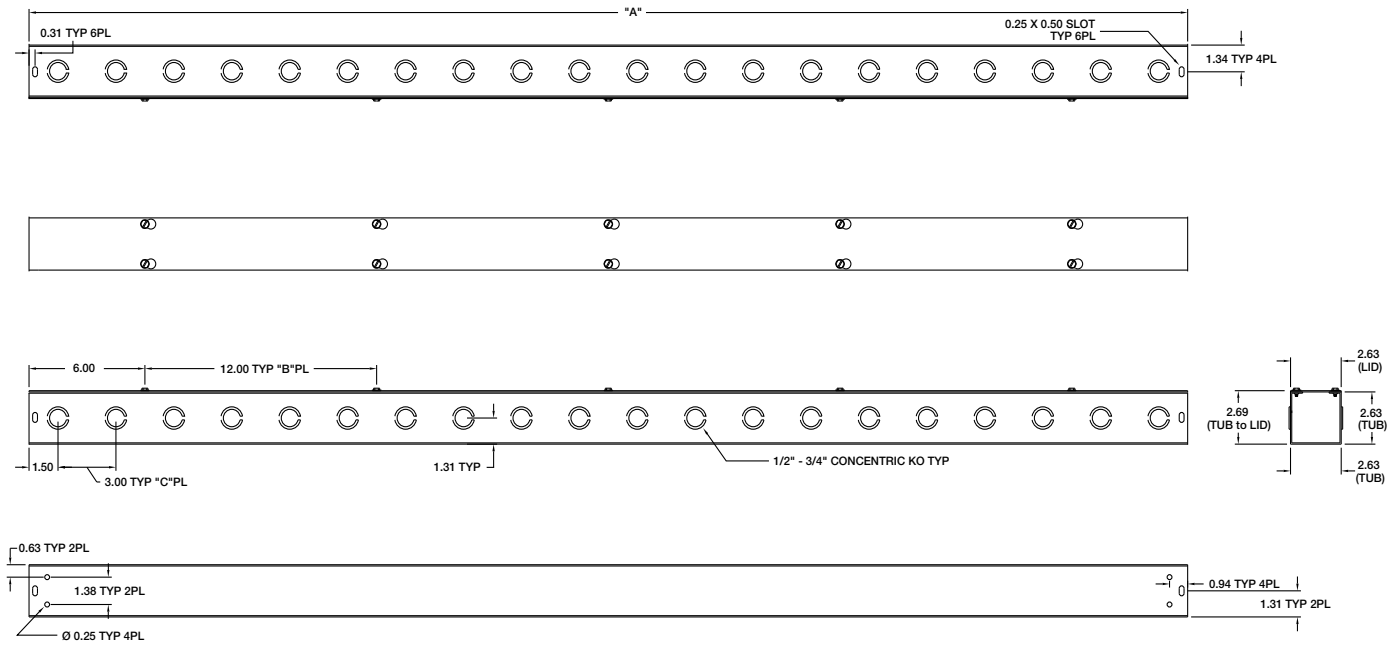


HS SERIES 4", 6" AND 8" STRAIGHT SECTION DIMENSIONS



S SERIES 2" STRAIGHT SECTION DIMENSIONS			
CATALOG NUMBER	A	B	C
S2212, S2212NK, S2212G AND S2212GNK	12.00 (300)	—	3.00 (75)
S2224, S2224NK, S2224G AND S2224GNK	24.00 (600)	1.00 (25)	7.00 (175)
S2236, S2236NK, S2236G AND S2236GNK	36.00 (900)	2.00 (50)	11.00 (275)
S2248, S2248NK, S2248G AND S2248GNK	48.00 (1200)	3.00 (75)	15.00 (375)
S2260, S2260NK, S2260G AND S2260GNK	60.00 (1500)	4.00 (100)	19.00 (475)
S2272, S2272NK, S2272G AND S2272GNK	72.00 (1800)	5.00 (125)	23.00 (575)
S22120, S22120NK, S22120G AND S22120GNK	120.00 (3000)	9.00 (225)	39.00 (975)

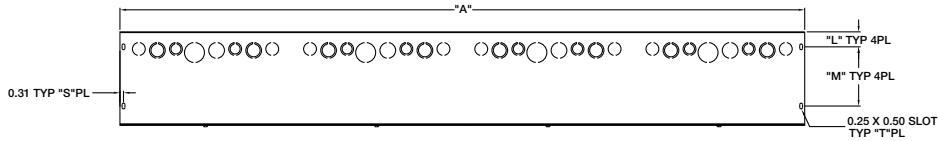
NK = No Knockouts



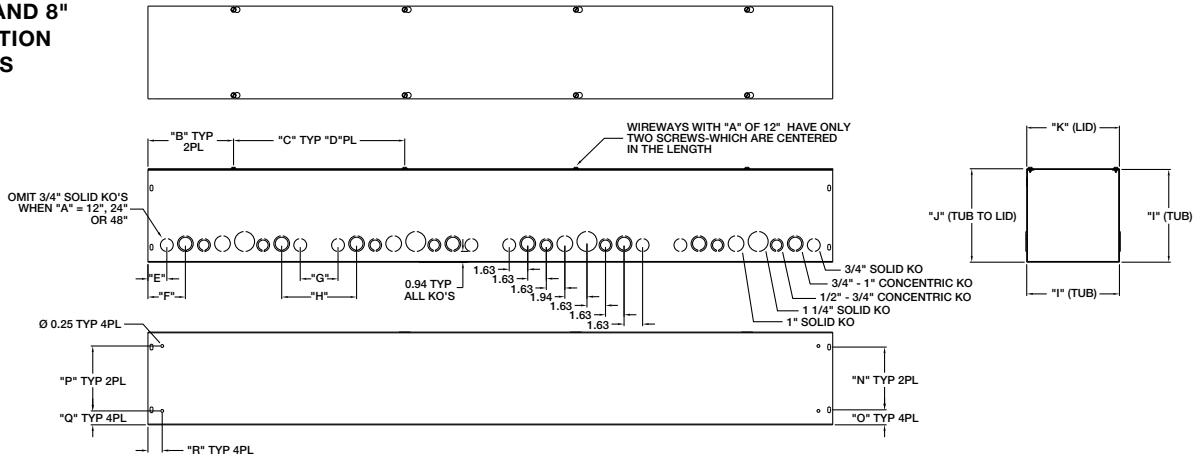
S SERIES 2" STRAIGHT SECTION DIMENSIONS

S SERIES 4", 6", AND 8" STRAIGHT SECTION DIMENSIONS																				
CATALOG NUMBER	A	B	C	D	E	F*	G*	H*	I	J	K	L	M	N	O	P	Q	R	S	T
S4412, S4412G, S4412NK & S4412GNK	12.00 (300)	3.00 (75)	6.00 (150)	—	—	1.78 (45)	—	—	4.12 (103)	4.19 (105)	3.19 (80)	2.44 (61)	—	—	2.06 (52)	2.69 (67)	.72 (18)	.94 (24)	6.00 (150)	6.00 (150)
S4424, S4424G, S4424NK & S4424GNK	24.00 (600)	6.00 (150)	12.00 (300)	—	—	1.78 (45)	—	3.56 (89)	4.12 (103)	4.19 (105)	3.19 (80)	2.44 (61)	—	—	2.06 (52)	2.69 (67)	.72 (18)	.94 (24)	6.00 (150)	6.00 (150)
S4436, S4436G, S4436NK & S4436GNK	36.00 (900)	9.00 (225)	18.00 (450)	—	3.16 (79)	—	6.31 (158)	—	4.12 (103)	4.19 (105)	3.19 (80)	2.44 (61)	—	—	2.06 (52)	2.69 (67)	.72 (18)	.94 (24)	6.00 (150)	6.00 (150)
S4448, S4448G, S4448NK & S4448GNK	48.00 (1200)	6.00 (150)	12.00 (300)	3.00 (75)	—	1.78 (45)	—	3.56 (89)	4.12 (103)	4.19 (105)	3.19 (80)	2.44 (61)	—	—	2.06 (52)	2.69 (67)	.72 (18)	.94 (24)	6.00 (150)	6.00 (150)
S4460, S4460G, S4460NK & S4460GNK	60.00 (1500)	7.50 (188)	15.00 (375)	3.00 (75)	1.66 (42)	—	3.31 (83)	—	4.12 (103)	4.19 (105)	3.19 (80)	2.44 (61)	—	—	2.06 (52)	2.69 (67)	.72 (18)	.94 (24)	6.00 (150)	6.00 (150)
S4472, S4472G, S4472NK & S4472GNK	72.00 (1800)	9.00 (225)	18.00 (450)	3.00 (75)	3.16 (79)	—	6.31 (158)	—	4.12 (103)	4.19 (105)	3.19 (80)	2.44 (61)	—	—	2.06 (52)	2.69 (67)	.72 (18)	.94 (24)	6.00 (150)	6.00 (150)
S44120, S44120G, S44120NK & S44120GNK	120.00 (3000)	7.50 (188)	15.00 (375)	7.00 (175)	1.66 (42)	—	3.31 (83)	—	4.12 (103)	4.19 (105)	3.19 (80)	2.44 (61)	—	—	2.06 (52)	2.69 (67)	.72 (18)	.94 (24)	6.00 (150)	6.00 (150)
S6612, S6612G, S6612NK & S6612GNK	12.00 (300)	3.00 (75)	6.00 (150)	—	—	1.78 (45)	—	—	6.12 (153)	6.19 (155)	5.19 (130)	1.34 (34)	3.53 (88)	3.56 (89)	1.28 (52)	3.75 (67)	1.19 (18)	1.12 (24)	12.00 (150)	12.00 (150)
S6624, S6624G, S6624NK & S6624GNK	24.00 (600)	6.00 (150)	12.00 (300)	—	—	1.78 (45)	—	3.56 (89)	6.12 (153)	6.19 (155)	5.19 (130)	1.34 (34)	3.53 (88)	3.56 (89)	1.28 (52)	3.75 (67)	1.19 (18)	1.12 (24)	12.00 (150)	12.00 (150)
S6636, S6636G, S6636NK & S6636GNK	36.00 (900)	9.00 (225)	18.00 (450)	—	3.16 (79)	—	6.31 (158)	—	6.12 (153)	6.19 (155)	5.19 (130)	1.34 (34)	3.53 (88)	3.56 (89)	1.28 (52)	3.75 (67)	1.19 (18)	1.12 (24)	12.00 (150)	12.00 (150)
S6648, S6648G, S6648NK & S6648GNK	48.00 (1200)	6.00 (150)	12.00 (300)	3.00 (75)	—	1.78 (45)	—	3.56 (89)	6.12 (153)	6.19 (155)	5.19 (130)	1.34 (34)	3.53 (88)	3.56 (89)	1.28 (52)	3.75 (67)	1.19 (18)	1.12 (24)	12.00 (150)	12.00 (150)
S6660, S6660G, S6660NK & S6660GNK	60.00 (1500)	7.50 (188)	15.00 (375)	3.00 (75)	1.66 (42)	—	3.31 (83)	—	6.12 (153)	6.19 (155)	5.19 (130)	1.34 (34)	3.53 (88)	3.56 (89)	1.28 (52)	3.75 (67)	1.19 (18)	1.12 (24)	12.00 (150)	12.00 (150)
S6672, S6672G, S6672NK & S6672GNK	72.00 (1800)	9.00 (225)	18.00 (450)	3.00 (75)	3.16 (79)	—	6.31 (158)	—	6.12 (153)	6.19 (155)	5.19 (130)	1.34 (34)	3.53 (88)	3.56 (89)	1.28 (52)	3.75 (67)	1.19 (18)	1.12 (24)	12.00 (150)	12.00 (150)
S88120, S88120G, S66120NK & S66120GNK	120.00 (3000)	7.50 (188)	15.00 (375)	7.00 (175)	1.66 (42)	—	3.31 (83)	—	6.12 (153)	6.19 (155)	5.19 (130)	1.34 (34)	3.53 (88)	3.56 (89)	1.28 (52)	3.75 (67)	1.19 (18)	1.12 (24)	12.00 (150)	12.00 (150)
S8812, S8812G, S8812NK & S8812GNK	12.00 (300)	3.00 (75)	6.00 (150)	—	—	1.78 (45)	—	—	8.12 (203)	8.19 (205)	7.94 (199)	1.31 (34)	5.19 (88)	5.50 (89)	1.31 (52)	1.69 (67)	1.22 (18)	1.25 (24)	12.00 (150)	12.00 (150)
S8824, S8824G, S8824NK & S8824GNK	24.00 (600)	6.00 (150)	12.00 (300)	—	—	1.78 (45)	—	3.56 (89)	8.12 (203)	8.19 (205)	7.94 (199)	1.31 (34)	5.19 (88)	5.50 (89)	1.31 (52)	1.69 (67)	1.22 (18)	1.25 (24)	12.00 (150)	12.00 (150)
S8836, S8836G, S8836NK & S8836GNK	36.00 (900)	9.00 (225)	18.00 (450)	—	3.16 (79)	—	6.31 (158)	—	8.12 (203)	8.19 (205)	7.94 (199)	1.31 (34)	5.19 (88)	5.50 (89)	1.31 (52)	1.69 (67)	1.22 (18)	1.25 (24)	12.00 (150)	12.00 (150)
S8848, S8848G, S8848NK & S8848GNK	48.00 (1200)	6.00 (150)	12.00 (300)	3.00 (75)	—	1.78 (45)	—	3.56 (89)	8.12 (203)	8.19 (205)	7.94 (199)	1.31 (34)	5.19 (88)	5.50 (89)	1.31 (52)	1.69 (67)	1.22 (18)	1.25 (24)	12.00 (150)	12.00 (150)
S8860, S8860G, S8860NK & S8860GNK	60.00 (1500)	7.50 (188)	15.00 (375)	3.00 (75)	1.66 (42)	—	3.31 (83)	—	8.12 (203)	8.19 (205)	7.94 (199)	1.31 (34)	5.19 (88)	5.50 (89)	1.31 (52)	1.69 (67)	1.22 (18)	1.25 (24)	12.00 (150)	12.00 (150)
S8872, S8872G, S8872NK & S8872GNK	72.00 (1800)	9.00 (225)	18.00 (450)	3.00 (75)	3.16 (79)	—	6.31 (158)	—	8.12 (203)	8.19 (205)	7.94 (199)	1.31 (34)	5.19 (88)	5.50 (89)	1.31 (52)	1.69 (67)	1.22 (18)	1.25 (24)	12.00 (150)	12.00 (150)
S88120, S88120G, S88120NK & S88120GNK	120.00 (3000)	7.50 (188)	15.00 (375)	7.00 (175)	1.66 (42)	—	3.31 (83)	—	8.12 (203)	8.19 (205)	7.94 (199)	1.31 (34)	5.19 (88)	5.50 (89)	1.31 (52)	1.69 (67)	1.22 (18)	1.25 (24)	12.00 (150)	12.00 (150)

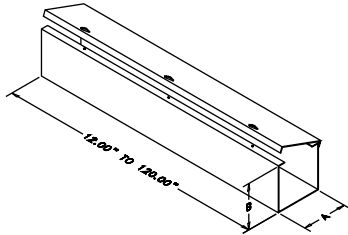
NK = No Knockouts
G - Galvanized



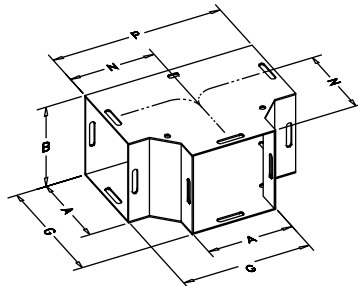
**S SERIES 4", 6" AND 8"
STRAIGHT SECTION
DIMENSIONS**



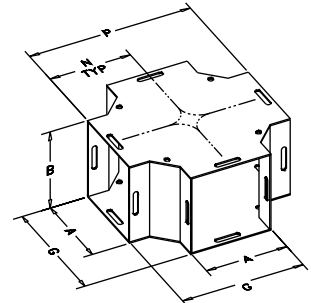
HS & S SERIES ACCESSORIES DIMENSIONS										
A X B	G	H	J	K	L	M	N	O	P	Q
2.50x2.50 (64x64)	4.5 (114)	2.75 (70)	7.91(201)	7.75 (197)	4.63 (117)	3.31 (84)	3.25 (83)	3.75 (95)	6.5 (165)	—
4.00x4.00 (102x102)	6.00 (152)	3.38 (86)	9.41 (239)	10.75 (273)	6.13 (153)	4.06 (103)	4.00 (102)	5.25 (133)	8.00 (203)	—
6.00x6.00 (152x152)	8.00 (152)	4.25 (108)	11.34 (288)	14.75 (375)	8.13 (206)	3.28 (83)	5.00 (127)	7.25 (184)	10.00 (254)	6.84 (174)
8.00x8.00 (203x203)	10.00 (254)	5.06 (129)	13.44 (341)	18.75 (476)	10.13 (257)	3.28 (83)	6.00 (152)	9.25 (235)	12.00 (305)	8.84 (225)
12.00x12.00 (305x305)	14.00 (356)	6.75 (171)	17.44 (443)	56.75 (679)	14.13 (359)	6.25 (159)	8.00 (203)	13.25 (337)	16.00 (406)	9.88 (251)



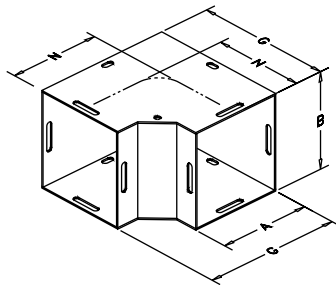
Straight Section



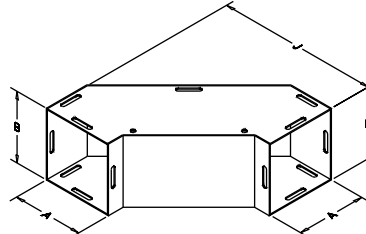
Tee



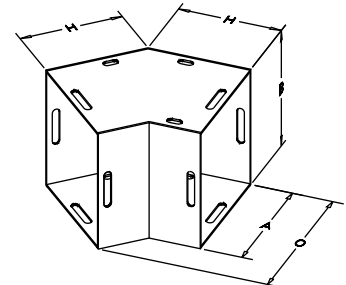
Cross



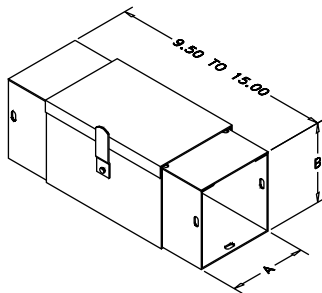
90° Elbow



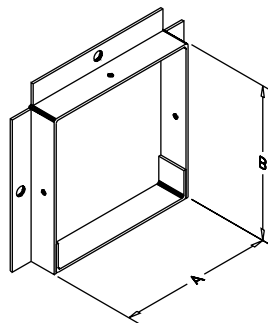
Sweep Elbow



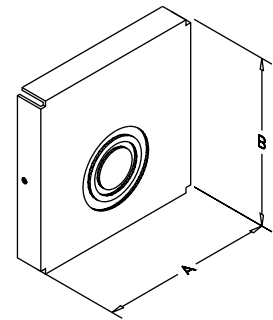
45° Elbow



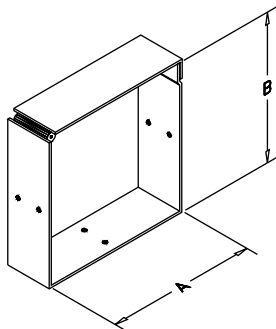
Telescope Fitting



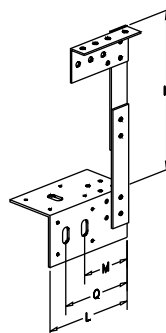
Panel Adapter



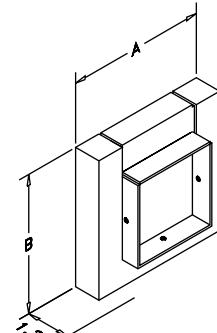
End Cap



Connector



Combination Hanger



Reducer



LJW24

Industry Standards

 UL 870
NEMA Type 12

 UL Files E32576

 CSA File LL66078

FEATURES-SPECIFICATIONS
Applications

Designed to protect electrical wiring from dirt, dust, oil, and water. All straight sections and fittings feature an open-top design for easy "lay-in" of wiring. No "pulling through" of wires and cables is required with this design.

A complete selection of straight sections and fittings are offered in five sizes (H x W):

2.50" x 2.50" (64 x 64)
4.00" x 4.00" (102 x 102)
6.00" x 6.00" (152 x 152)
8.00" x 8.00" (203 x 203)
6.00" x 12.00" (152 x 305)

Construction

- Bodies and covers are fabricated from 14 gauge steel. 6.00" x 12.00" bodies and covers are fabricated from 12 gauge steel
- End flanges are fabricated from 10 gauge steel
- Continuously welded seams ground smooth, no holes or knockouts

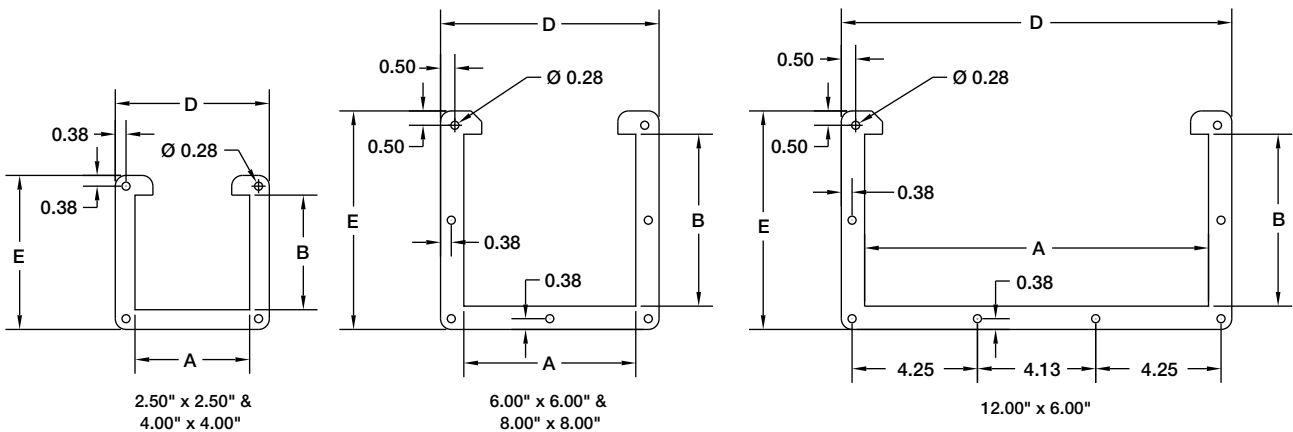
- Smooth rounded edges on all sections and fittings prevent damage to wire insulation
- Closed cell oil resistant neoprene gasket
- Solid oil-resistant gasket positioned between flanges when sections and fittings are bolted together
- Heavy butt hinges and external quick release clamps insure a complete seal between covers and body yet permit immediate access to wireway interior
- Gasketed quick-release captivated sealing plate provides complete seal at each joint
- All necessary gaskets, nuts, and bolts furnished for efficient assembly

Finish

- ANSI 61 gray polyester powder inside and out over phosphatized surfaces

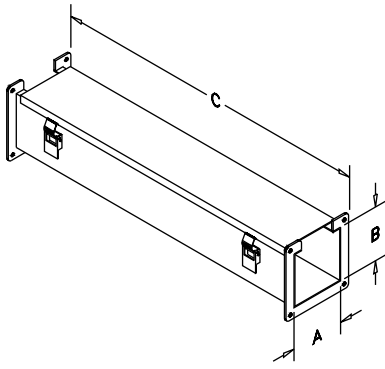
LJW SERIES LAY-IN WIREWAY (STRAIGHT SECTIONS)					
CATALOG NUMBER					DESCRIPTION
2.50 X 2.50 (64 X 64)	4.00 X 4.00 (102 X 102)	6.00 X 6.00 (152 X 152)	8.00 X 8.00 (203 X 203)	6.00 X 12.00* (152 X 305)	
LJW21	LJW41	LJW61	LJW81	LJW1261	12.00" (205)
LJW22	LJW42	LJW62	LJW82	LJW1262	24.00" (610)
LJW23	LJW43	LJW63	LJW83	LJW1263	36.00" (914)
LJW24	LJW44	LJW64	LJW84	LJW1264	48.00" (1219)
LJW25	LJW45	LJW65	LJW85	LJW1265	60.00" (1524)
LJW210	LJW410	LJW610	LJW810	LJW12610	120.00" (3048)

*6.00 x 12.00 wireway bodies are fabricated from 12 gauge steel.

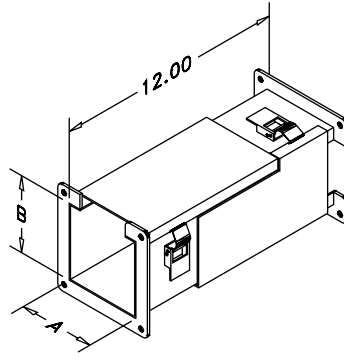


LJW SERIES LAY-IN WIREWAY (FITTINGS)					
CATALOG NUMBER					DESCRIPTION
2.50 X 2.50 (64 X 64)	4.00 X 4.00 (102 X 102)	6.00 X 6.00 (152 X 152)	8.00 X 8.00 (203 X 203)	6.00 X 12.00 (152 X 305)	
LJWS2	LJWS4	LJWS6	LJWS8	LJWS126	Telescope (not UL listed)
LJWF2	LJWF4	LJWF6	LJWF8	LJWF126	Lay-in, cut-off
LJWL902A	LJWL904A	LJWL906A	LJWL908A	LJWL90126A	90 Degree el top
LJWL902B	LJWL904B	LJWL906B	LJWL908B	LJWL90126B	90 Degree el inside
LJWL902C	LJWL904C	LJWL906C	LJWL908C	LJWL90126C	90 Degree el outside
LJWL452A	LJWL454A	LJWL456A	LJWL458A	LJWL45126A	45 Degree el top
LJWL452B	LJWL454B	LJWL456B	LJWL458B	—	45 Degree el inside
LJWL452C	LJWL454C	LJWL456C	LJWL458C	—	45 Degree el outside
LJWT2A	LJWT4A	LJWT6A	LJWT8A	LJWT126A	Tee-top
LJWT2C	LJWT4C	LJWT6C	LJWT8C	—	Tee-outside
LJWX2	LJWX4	LJWX6	LJWX8	LJWX126	Cross
LJWE2	LJWE4	LJWE6	LJWE8	LJWE126	Closure plate
LJWA2	LJWA4	LJWA6	LJWA8	LJWA126	Box connector
—	LJWRB42	—	—	—	Reducer 4.00x4.00 to 4.00x2.50
—	—	LJWRB64	—	—	Reducer 6.00x6.00 to 4.00x4.00
—	—	—	LJWRB86	—	Reducer 8.00x8.00 to 6.00x6.00
—	—	—	—	LJWRB1266	Reducer 12.00x6.00 to 6.00x6.00
JWD2	JWD4	JWD6	JWD8	—	Drop-hanger
JWBH2	JWBH4	JWBH6	JWBH8	—	Bracket-hanger
LJWN221	LJWN441	LJWN661	LJWN881	—	1.00" Nipple
LJWN222	LJWN442	LJWN662	LJWN882	—	2.00" Nipple
LJWN223	LJWN443	LJWN663	LJWN883	—	3.00" Nipple
LJWN226	LJWN446	LJWN666	LJWN886	LJWN1266	6.00" Nipple
LJW21CW	LJW41CW	LJW61CW	LJW81CW	—	12" Length clockwise transposition straight section
LJW21CCW	LJW41CCW	LJW61CCW	LJW81CCW	—	12" Length counter clockwise transposition straight section
LJWL902CW	LJWL904CW	LJW906CW	LJW908CW	—	90 Degree elbow clockwise
LJWL902CCW	LJWL904CCW	LJWL906CCW	LJWL908CCW	—	90 Degree elbow counter clockwise
LJW2QRSP	LJW4QRSP	LJW6QRSP	LJW8QRSP	LJW126QRSP	Quick release flat sealing plate
LJW2ASP	LJW4ASP	LJW6ASP	LJW8ASP	LJW126ASP	90 Degree angle sealing plate
—	JW4BK60	JW6BK60	JW8BK60	JW6BK60	60.00" Barrier kit

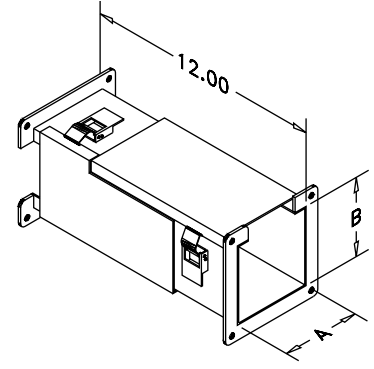
LJW SERIES WIREWAYS & FITTINGS DIMENSIONS																		
A X B	C - LENGTH							D	E	G	H	J	K	P	R	S	T	U
	6.00 (152)	12.00 (305)	24.00 (610)	36.00 (914)	48.00 (1219)	60.00 (1524)	120.00 (3048)											
2.50x2.50 (64x64)	6.00 (152)	12.00 (305)	24.00 (610)	36.00 (914)	48.00 (1219)	60.00 (1524)	120.00 (3048)	3.88 (99)	3.88 (99)	8.50 (216)	4.13 (105)	2.00 (51)	4.25 (108)	4.63 (118)	3.75 (95)	9.31 (237)	4.50 (114)	4.38 (111)
4.00x4.00 (102x102)	6.00 (152)	12.00 (305)	24.00 (610)	36.00 (914)	48.00 (1219)	60.00 (1524)	120.00 (3048)	5.38 (137)	5.38 (137)	10.00 (254)	5.00 (127)	2.44 (62)	5.00 (127)	6.13 (156)	3.75 (95)	11.75 (298)	6.00 (152)	5.88 (149)
6.00x6.00 (152x152)	6.00 (152)	12.00 (305)	24.00 (610)	36.00 (914)	48.00 (1219)	60.00 (1524)	120.00 (3048)	7.63 (194)	7.63 (194)	12.00 (305)	6.00 (152)	3.00 (76)	6.00 (152)	8.25 (210)	3.75 (95)	15.25 (387)	8.13 (207)	7.88 (200)
8.00x8.00 (203x203)	6.00 (152)	12.00 (305)	24.00 (610)	36.00 (914)	48.00 (1219)	60.00 (1524)	120.00 (3048)	9.63 (245)	9.63 (245)	14.00 (356)	7.00 (178)	3.75 (95)	7.00 (178)	10.25 (260)	3.75 (95)	20.56 (522)	12.13 (308)	9.88 (251)
12.00x6.00 (305x152)	6.00 (152)	12.00 (305)	24.00 (610)	36.00 (914)	48.00 (1219)	60.00 (1524)	120.00 (3048)	13.63 (346)	7.63 (194)	18.00 (457)	6.00 (152)	4.75 (121)	9.00 (229)	—	—	—	—	—



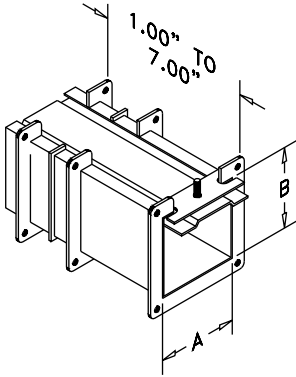
Straight



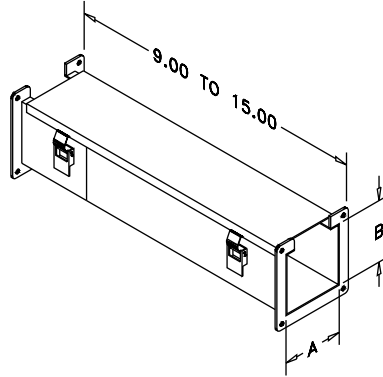
**Clockwise Transposition
Straight Section**



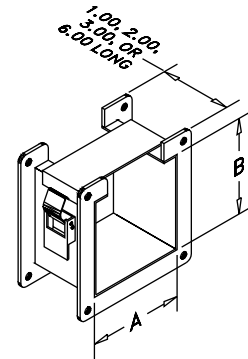
**Counter-Clockwise Transposition
Straight Section**



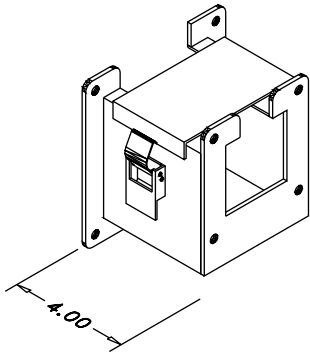
Lay-In Telescope Fitting



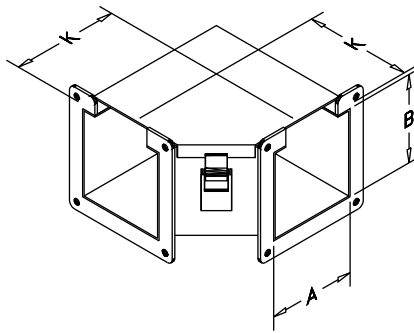
Lay-In Cut-Off Fitting



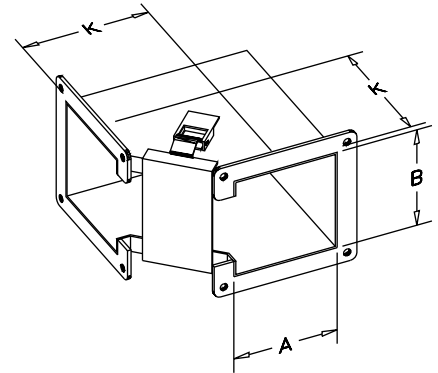
Nipple



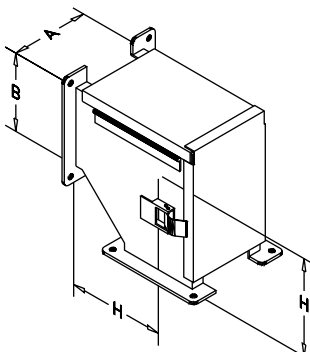
Reducer



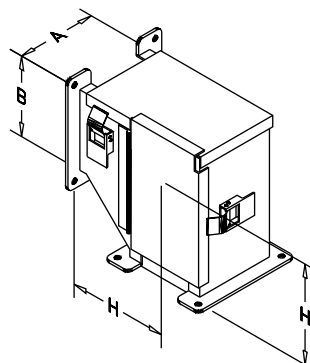
90° Elbow Top Opening



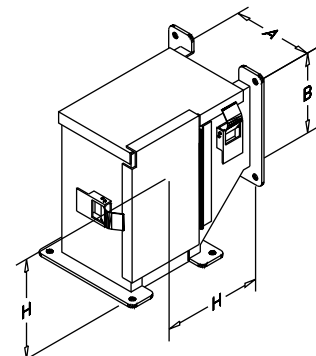
90° Elbow Inside Opening



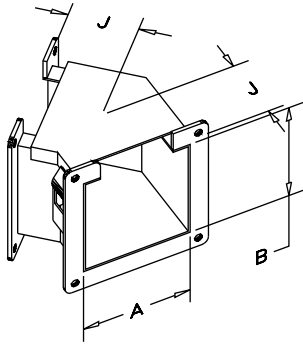
90° Elbow Outside Opening



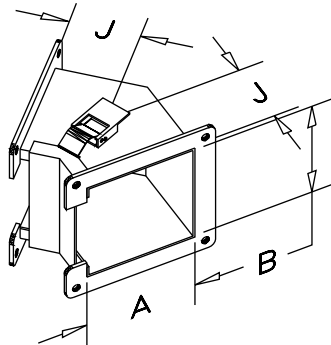
90° Elbow Clockwise Transposition



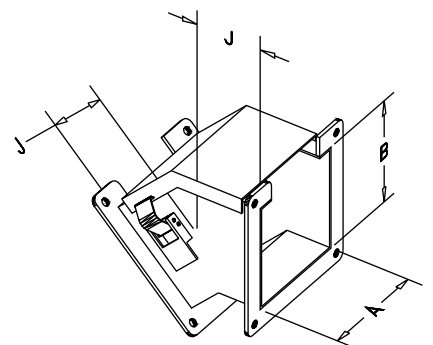
**90° Elbow Counter-Clockwise
Transposition**



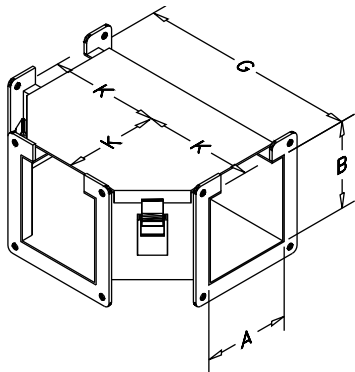
45° Elbow Top Opening



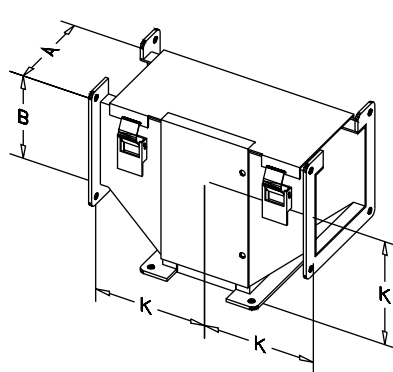
45° Elbow Inside Opening



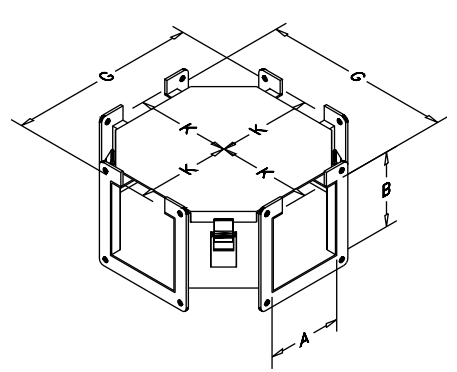
45° Elbow Outside Opening



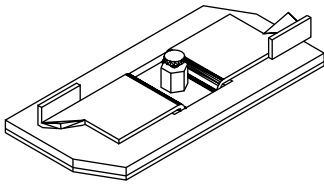
Tee Top Opening



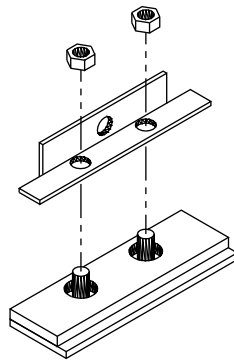
Tee Outside Opening



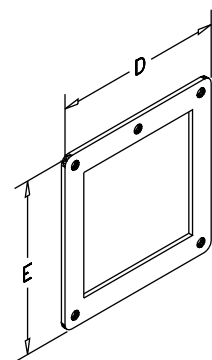
Cross



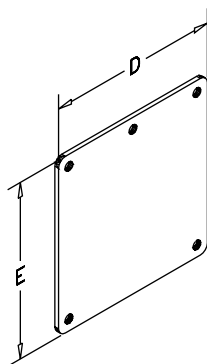
Quick Release Flat Sealing Plate



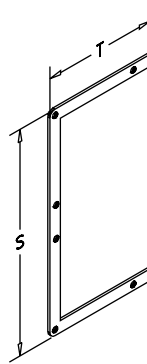
90° Angle Sealing Plate



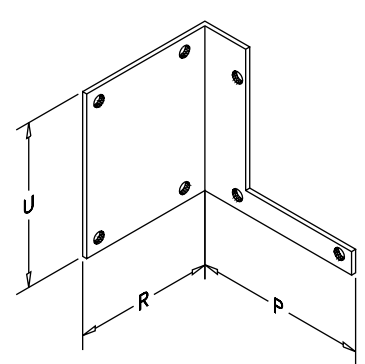
Box Connector



Closure Plate



Drop Hanger



Bracket Hanger




JW24

Industry Standards

UL 870
NEMA Type 12
JIC EL-1-71

 UL Files E32576

 CSA File LL66078

FEATURES-SPECIFICATIONS

Applications

Designed to protect electrical wiring from dirt, dust, oil, and water. All straight sections feature a hinged-top design for easy wiring.

A complete selection of sections and fittings is offered in four sizes (H x W):

- 2.50" x 2.50" (64 x 64)
- 4.00" x 4.00" (102 x 102)
- 6.00" x 6.00" (152 x 152)
- 8.00" x 8.00" (203 x 203)

Construction

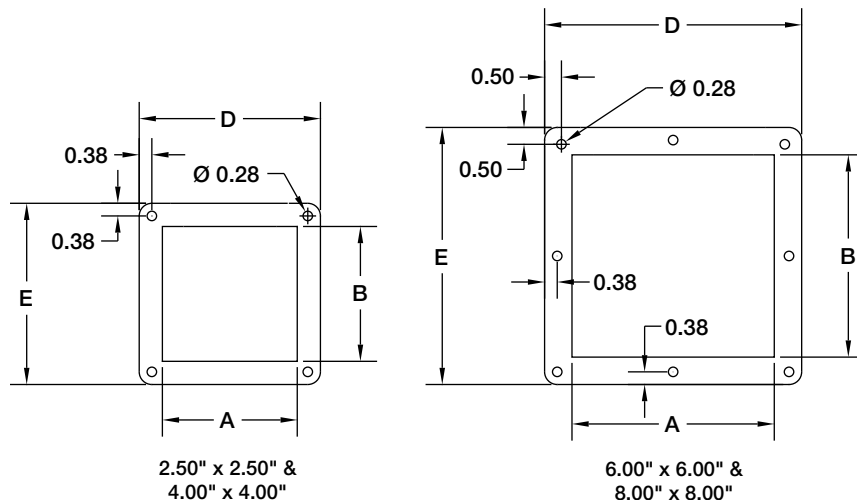
- Bodies and covers are fabricated from 14 gauge steel
- End flanges are fabricated from 10 gauge steel
- Continuously welded seams ground smooth, no holes or knockouts
- Smooth rounded edges on all sections and fittings prevent damage to insulation
- Closed cell oil resistant neoprene gasket

- Solid oil resistant gasket is furnished to provide complete seal at each joint
- Heavy butt hinges and external screw clamps to insure a complete seal between covers and bodies
- Screw clamps are quick and easy to operate, with no loose parts
- All necessary gaskets, nuts and bolts furnished for efficient assembly

Finish

- ANSI 61 gray polyester powder inside and out over phosphatized surfaces

JW SERIES FEED THROUGH WIREWAY (STRAIGHT SECTIONS)				
CATALOG NUMBER				DESCRIPTION
2.50 X 2.50 (64 X 64)	4.00 X 4.00 (102 X 102)	6.00 X 6.00 (152 X 152)	8.00 X 8.00 (203 X 203)	
JW21	JW41	JW61	JW81	12.00" (205)
JW22	JW42	JW62	JW82	24.00" (610)
JW23	JW43	JW63	JW83	36.00" (914)
JW24	JW44	JW64	JW84	48.00" (1219)
JW25	JW45	JW65	JW85	60.00" (1524)
JW210	JW410	JW610	JW810	120.00" (3048)



JW SERIES FEED THROUGH WIREWAY (FITTINGS)				
CATALOG NUMBER				DESCRIPTION
2.50 x 2.50 (64 x 64)	4.00 x 4.00 (102 x 102)	6.00 x 6.00 (152 x 152)	8.00 x 8.00 (203 x 203)	
JWS2	JWS4	JWS6	JWS8	Telescope*
JWF2	JWF4	JWF6	JWF8	Cut-off (1 set of gaskets and screws included)
JWL902	JWL904	JWL906	JWL908	90 Degree elbow (1 set of gaskets and screws included)
JWL452	JWL454	JWL456	JWL458	45 Degree elbow (1 set of gaskets and screws included)
JWT2	JWT4	JWT6	JWT8	Tee-top (2 sets of gaskets and screws included)
JWX2	JWX4	JWX6	JWX8	Cross (3 sets of gaskets and screws included)
JWE2	JWE4	JWE6	JWE8	End plate (1 set of gaskets and screws included)
JWA2	JWA4	JWA6	JWA8	Box adaptor (1 set of gaskets and screws included)
—	JWRB42C	—	—	Reducer 4.00" (102) to 2.50" (54) center hole**
—	—	JWRB64C	—	Reducer 6.00" (152) to 4.00" (102) center hole**
—	—	—	JWRB84C	Reducer 8.00" (203) to 4.00" (102) center hole**
—	—	—	JWRB86C	Reducer 8.00"(203) to 6.00" (152) center hole**
JWD2	JWD4	JWD6	JWD8	Drop-hanger
JWBH2	JWBH4	JWBH6	JWBH8	Bracket-hanger
JWN221	JWN441	JWN661	JWN881	1.00" Nipple
JWN222	JWN442	JWN662	JWN882	2.00" Nipple
JWN223	JWN443	JWN663	JWN883	3.00" Nipple
JWN226	JWN446	JWN666	JWN886	6.00" Nipple
JWSC22	JWSC44	JWSC66	—	Swivel nipple-regular
JWFF2	JWFF4	JWFF6	JWFF8	Flexible fitting***
—	JW4BK60	JW6BK60	JW8BK60	60.00" Barrier kit
JWG22	JWG44	JWG66	JWG88	Extra gasket and screws

*Not UL listed.

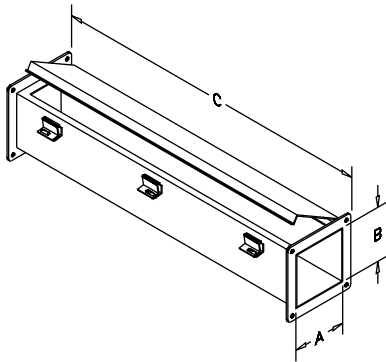
**One set of gaskets and screws included with all reducers.

***Minimum length 3", maximum length 8".

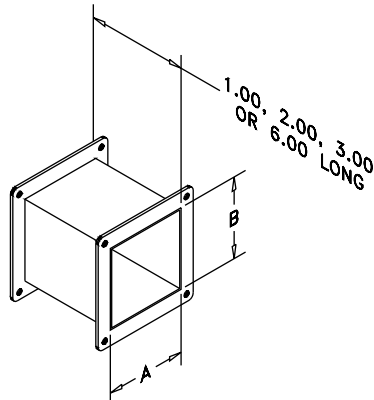
JW SERIES WIREWAY & FITTINGS DIMENSIONS																		
A X B	C - LENGTH						D	E	F	G	H	J	K	P	R	S	T	U
2.50x2.50 (64x64)	12.00 (305)	24.00 (610)	36.00 (914)	48.00 (1219)	60.00 (1524)	120.00 (3048)	3.88 (99)	3.88 (99)	5.50 (140)	8.50 (216)	2.50 (64)	2.00 (51)	4.25 (108)	4.63 (118)	3.75 (95)	9.31 (236)	4.50 (114)	4.38 (111)
4.00x4.00 (102x102)	12.00 (305)	24.00 (610)	36.00 (914)	48.00 (1219)	60.00 (1524)	120.00 (3048)	5.38 (137)	5.38 (137)	7.00 (178)	10.00 (254)	3.25 (83)	2.44 (62)	5.00 (127)	6.13 (156)	3.75 (95)	11.75 (298)	6.00 (152)	5.88 (149)
6.00x6.00 (152x152)	12.00 (305)	24.00 (610)	36.00 (914)	48.00 (1219)	60.00 (1524)	120.00 (3048)	7.63 (194)	7.63 (194)	9.00 (229)	12.00 (305)	4.25 (108)	3.00 (76)	6.00 (152)	8.25 (210)	3.75 (95)	15.25 (387)	8.13 (207)	7.88 (200)
8.00x8.00 (203x203)	12.00 (305)	24.00 (610)	36.00 (914)	48.00 (1219)	60.00 (1524)	120.00 (3048)	9.63 (245)	9.63 (245)	11.00 (279)	14.00 (356)	5.25 (133)	3.75 (95)	7.00 (178)	10.25 (260)	3.75 (95)	20.56 (522)	12.13 (308)	9.88 (251)

FEATURES-SPECIFICATIONS

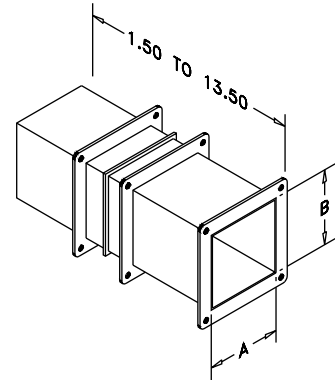
JW SERIES WIREWAY & FITTINGS DIMENSIONS																		
A X B	C - LENGTH						D	E	F	G	H	J	K	P	R	S	T	U
2.50x2.50 (64x64)	12.00 (305)	24.00 (610)	36.00 (914)	48.00 (1219)	60.00 (1524)	120.00 (3048)	3.88 (99)	3.88 (99)	5.50 (140)	8.50 (216)	2.50 (64)	2.00 (51)	4.25 (108)	4.63 (118)	3.75 (95)	9.31 (236)	4.50 (114)	4.38 (111)
4.00x4.00 (102x102)	12.00 (305)	24.00 (610)	36.00 (914)	48.00 (1219)	60.00 (1524)	120.00 (3048)	5.38 (137)	5.38 (137)	7.00 (178)	10.00 (254)	3.25 (83)	2.44 (62)	5.00 (127)	6.13 (156)	3.75 (95)	11.75 (298)	6.00 (152)	5.88 (149)
6.00x6.00 (152x152)	12.00 (305)	24.00 (610)	36.00 (914)	48.00 (1219)	60.00 (1524)	120.00 (3048)	7.63 (194)	7.63 (194)	9.00 (229)	12.00 (305)	4.25 (108)	3.00 (76)	6.00 (152)	8.25 (210)	3.75 (95)	15.25 (387)	8.13 (207)	7.88 (200)
8.00x8.00 (203x203)	12.00 (305)	24.00 (610)	36.00 (914)	48.00 (1219)	60.00 (1524)	120.00 (3048)	9.63 (245)	9.63 (245)	11.00 (279)	14.00 (356)	5.25 (133)	3.75 (95)	7.00 (178)	10.25 (260)	3.75 (95)	20.56 (522)	12.13 (308)	9.88 (251)



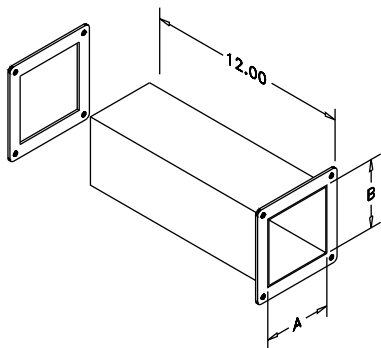
Straight Section



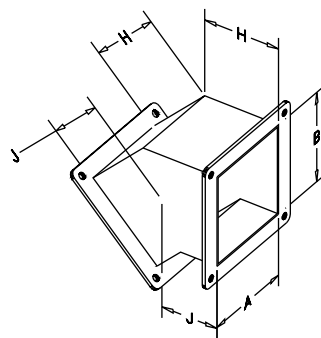
Nipple



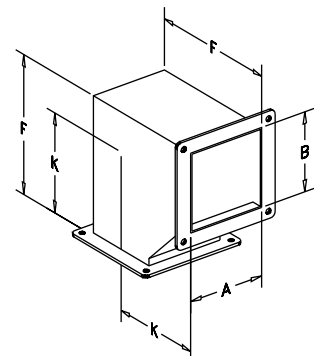
Telescope Fitting



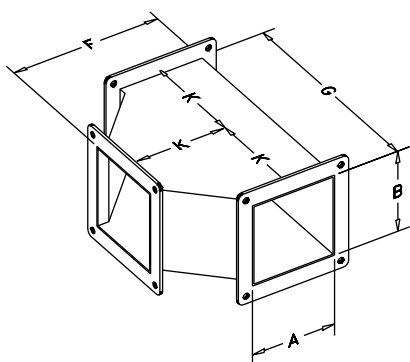
Cut-Off Fitting



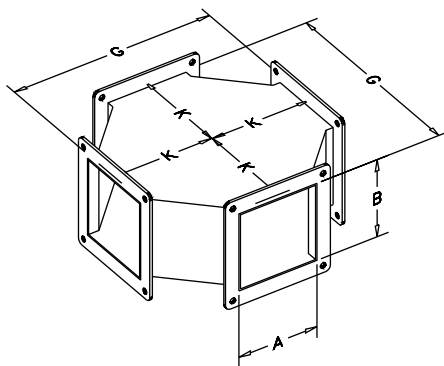
45° Elbow



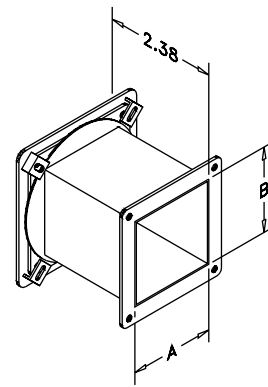
90° Elbow



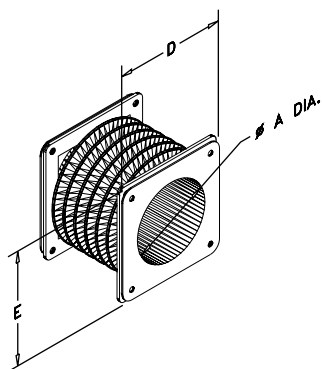
Tee



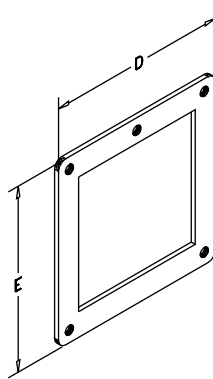
Cross



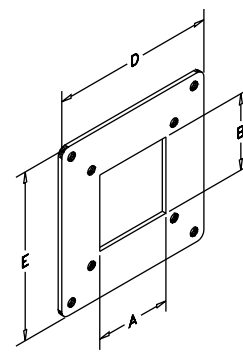
Swivel Nipple



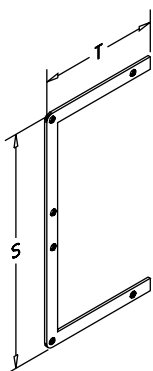
Flexible Fitting



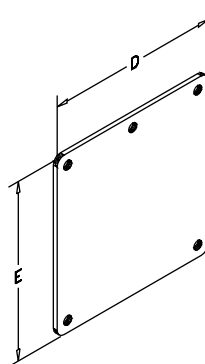
Box Connector



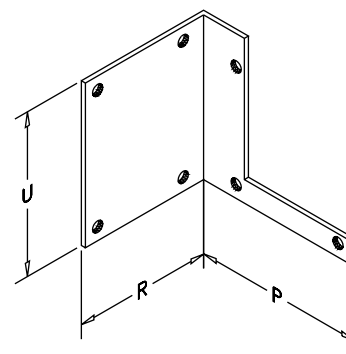
Reducer Center Hole



Drop Hanger



Closure Plate



Bracket Hanger



SSJW42

Industry Standards

UL 870
NEMA Type 12
JIC EL-1-71

 UL Files E32576

 CSA File LL66078

FEATURES-SPECIFICATIONS
Applications

Designed to protect electrical wiring in areas where corrosion problems exist.

A complete selection of sections and fittings is offered in two sizes:

4.00" x 4.00" (102 x 102)

6.00" x 6.00" (152 x 152)

Construction

- Bodies and covers are fabricated from 14 gauge 304 stainless steel
- Flange ends are fabricated from 10 gauge 304 stainless steel
- Features hinged top for easy wiring
- Continuously welded seams ground smooth, no holes or knockouts
- Smooth rounded edges on all sections and fittings prevent damage to insulation
- Closed cell oil resistant neoprene gasket
- Heavy butt hinges and external stainless steel screw clamps to insure a complete seal between covers and bodies
- Screw clamps are quick and easy to operate, with no loose parts
- Solid oil-resistant gasket is furnished to provide complete seal at each joint
- All necessary gaskets, nuts and bolts furnished for efficient assembly

Finish

- Exterior body and cover has smooth grained finish

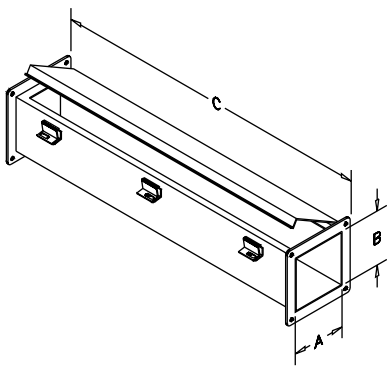
SSJW SERIES STAINLESS FEED-THROUGH WIREWAY & FITTINGS		
CATALOG NUMBER		DESCRIPTION
4.00 X 4.00 (102 X 102)	6.00 X 6.00 (152 X 152)	
SSJW41	SSJW61	12.00" (205) Straight section
SSJW42	SSJW62	24.00" (610) Straight section
SSJW43	SSJW63	36.00" (914) Straight section
SSJW44	SSJW64	48.00" (1219) Straight section
SSJW45	SSJW65	60.00" (1524) Straight section
SSJW410	SSJW610	120.00" (3048) Straight section
SSJWS4	SSJWS6	Telescope (not UL listed)
SSJWL904	SSJWL906	90° Elbow (1 set of gaskets and screws included)
SSJWL454	SSJWL456	45° Elbow (1 set of gaskets and screws included)
SSJWT4	SSJWT6	Tee-top (2 sets of gaskets and screws included)
SSJWE4	SSJWE6	End plate (1 set of gaskets and screws included)
SSJWA4	SSJWA6	Box adaptor (1 set of gaskets and screws included)
—	SSJWRB64E	Reducer bushing 6.00" (152) to 4.00" (102) edge*
—	SSJWRB64C	Reducer bushing 6.00" (152) to 4.00" (10) center*
SSJWN446	SSJWN666	6.00" straight nipple fitting
SSJWFF4	SSJWFF6	Flexible fitting**
SSJWBH4	SSJWBH6	Bracket hanger

* All reducer bushings included gaskets and screws.

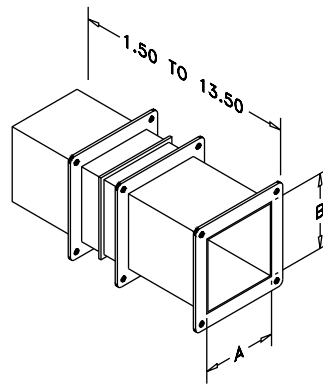
** Minimum length 3", maximum length 8".

SSJW SERIES WIREWAY & FITTINGS DIMENSIONS

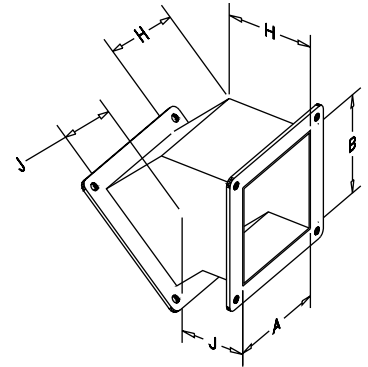
A X B	C - LENGTH						D	E	F	G	H	J	K
4.00x4.00 (102x102)	12.00 (305)	24.00 (610)	36.00 (914)	48.00 (1219)	60.00 (1524)	120.00 (3048)	5.38 (137)	5.38 (137)	7.00 (178)	10.00 (254)	3.25 (83)	2.44 (62)	5.00 (127)
6.00x6.00 (152x152)	12.00 (305)	24.00 (610)	36.00 (914)	48.00 (1219)	60.00 (1524)	120.00 (3048)	7.63 (194)	7.63 (194)	9.00 (229)	12.00 (305)	4.25 (108)	3.00 (76)	6.00 (152)



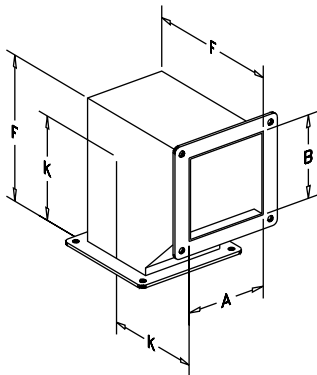
Straight Section



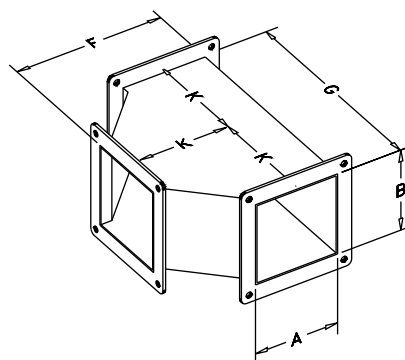
Telescope Fitting



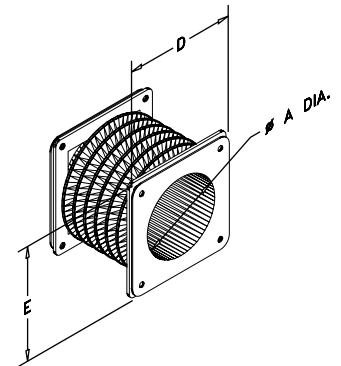
45° Elbow



90° Elbow



Tee



Flexible Fitting



RSCG060624

Industry Standards

UL 870
NEMA/EEMAC Types, 1 & 3R

 UL Files E32576

 CSA File LL66078

FEATURES-SPECIFICATIONS

Applications

Designed to protect wiring in outdoor installations against rain, sleet and snow, or indoors against dripping water.

Construction

- Through and cover fabricated from 16 gauge carbon steel or G-90 pre-galvanized steel 16 gauge
- Drip shield top and smooth seamless sides, front and back, prevent rain,

snow and sleet from entering the enclosure

- Embossed mounting holes are conveniently located on the back
- A slip-on removable cover is securely fastened with screws located along the bottom edge
- Knockouts are provided on bottom of enclosure

Finish

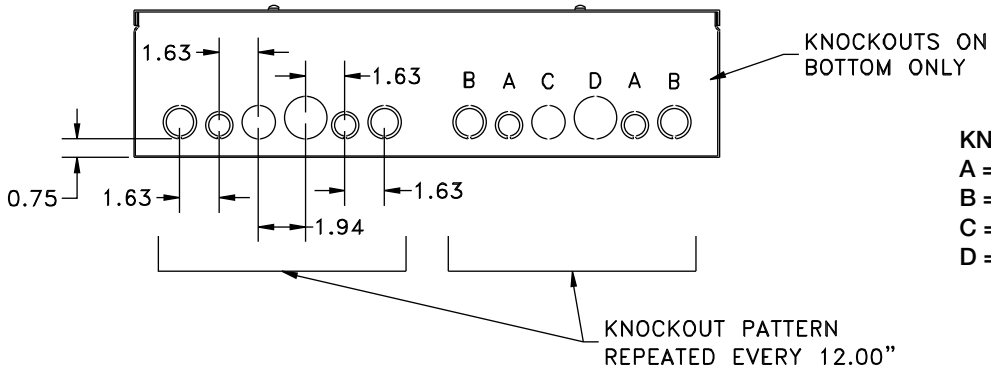
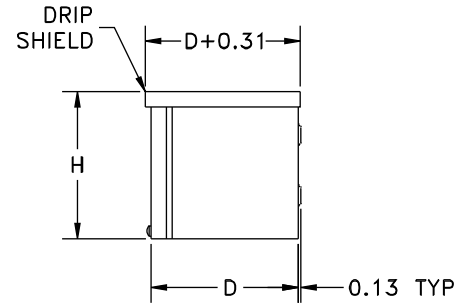
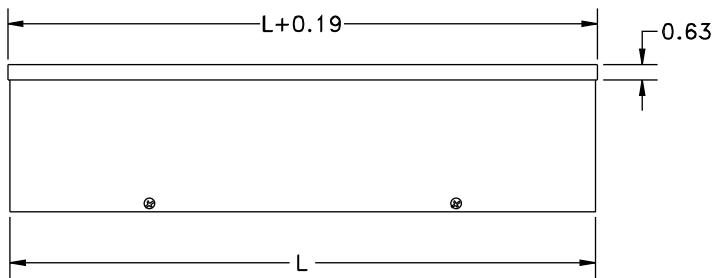
- ANSI-61 gray polyester powder inside and out over phosphatized surfaces or unpainted pre-galvanized steel

Accessories

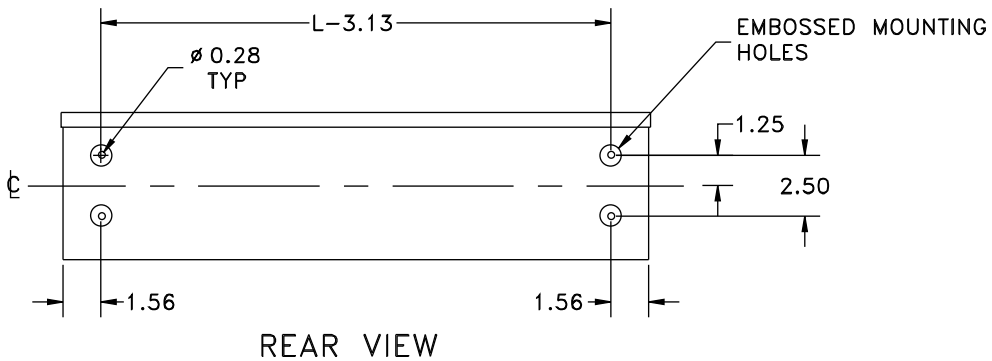
- See pages J1-J19

RSCG WALLMOUNT WIRING THROUGH				
CATALOG NUMBER		BODY/DOOR STEEL GAUGE	ENCLOSURE SIZE H X D X L	KNOCKOUT PATTERN
PAINTED	GALVANIZED			
RSCG040412	RSCG040412G	16/16	4.06x4.06x12.13 (103x103x308)	B-A-C-D-A-B repeated
RSCG040424	RSCG040424G	16/16	4.06x4.06x24.13 (103x103x613)	B-A-C-D-A-B repeated
RSCG040436	RSCG040436G	16/16	4.06x4.06x36.13 (103x103x918)	B-A-C-D-A-B repeated
RSCG040448	RSCG040448G	16/16	4.06x4.06x48.13 (103x103x1222)	B-A-C-D-A-B repeated
RSCG040460	RSCG040460G	16/16	4.06x4.06x60.13 (103x103x1527)	B-A-C-D-A-B repeated
RSCG060612	RSCG060612G	16/16	6.06x6.06x12.13 (154x154x308)	B-A-C-D-A-B repeated
RSCG060624	RSCG060624G	16/16	6.06x6.06x24.13 (154x154x613)	B-A-C-D-A-B repeated
RSCG060636	RSCG060636G	16/16	6.06x6.06x36.13 (154x154x918)	B-A-C-D-A-B repeated
RSCG060648	RSCG060648G	16/16	6.06x6.06x48.13 (154x154x1222)	B-A-C-D-A-B repeated
RSCG060660	RSCG060660G	16/16	6.06x6.06x60.13 (154x154x1527)	B-A-C-D-A-B repeated
RSCG060672	RSCG060672G	16/16	6.06x6.06x72.13 (154x154x1832)	B-A-C-D-A-B repeated
RSCG080824	RSCG080824G	16/16	8.06x8.06x24.13 (205x205x613)	B-A-C-D-A-B repeated
RSCG080836	RSCG080836G	16/16	8.06x8.06x36.13 (205x205x918)	B-A-C-D-A-B repeated
RSCG080848	RSCG080848G	16/16	8.06x8.06x48.13 (205x205x1222)	B-A-C-D-A-B repeated
RSCG080860	RSCG080860G	16/16	8.06x8.06x60.13 (205x205x1527)	B-A-C-D-A-B repeated
RSCG080872	RSCG080872G	16/16	8.06x8.06x72.13 (205x205x1832)	B-A-C-D-A-B repeated

NOTE: Must specify CSA Label when ordering.



KNOCKOUT SIZES
 A = 1/2" TO 3/4" CONCENTRIC KO
 B = 3/4" TO 1" CONCENTRIC KO
 C = 1" SOLID KO
 D = 1-1/4" SOLID KO






T6624CH

Industry Standards
UL 870
NEMA Types 12 & 13
JIC EL-1-71

 UL Files E32576

 CSA File LL66078

FEATURES-SPECIFICATIONS

Applications

Designed to protect wiring from dirt, dust, oil and water.

Construction

- Trough and cover fabricated from 14 gauge steel
- Continuously welded seams ground

smooth, less knockouts or holes

- Oil resistant gasket and adhesive are provided
- Trough comes complete with easy to operate external clamps and a continuous hinge
- External mounting feet are provided

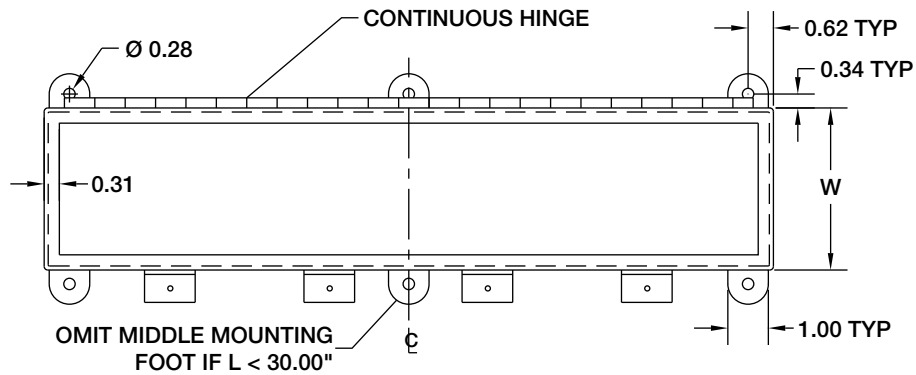
Finish

- ANSI-61 gray polyester powder inside and out over phosphatized surfaces

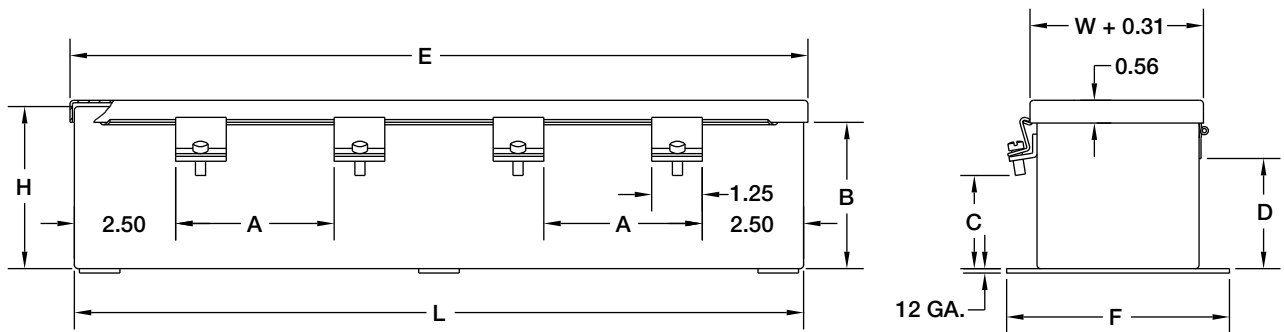
Accessories

- See pages J1-J19

T-CH SERIES JIC HINGED COVER WIRING THROUGH								
CATALOG NUMBER	BODY/DOOR STEEL GAUGE	ENCLOSURE SIZE H X W X L	A	B	C	D	E	F
T2212CH	14/14	2.50x2.50x12.00 (64x64x305)	5.75 (146)	2.09 (53)	.63 (16)	1.28 (33)	12.31 (313)	4.00 (102)
T2218CH	14/14	2.50x2.50x18.00 (64x64x457)	11.75 (298)	2.09 (53)	.63 (16)	1.34(34)	18.31 (465)	4.00 (102)
T2224CH	14/14	2.50x2.50x24.00 (64x64x610)	8.88 (225)	2.09 (53)	.63 (16)	1.34(34)	24.31 (698)	4.00 (102)
T2236CH	14/14	2.50x2.50x36.00 (64x64x914)	14.88 (378)	2.09 (53)	.63 (16)	1.34(34)	36.31 (922)	4.00 (102)
T2248CH	14/14	2.50x2.50x48.00 (64x64x1219)	20.88 (298)	2.09 (53)	.63 (16)	1.34(34)	48.31 (1227)	4.00 (102)
T2260CH	14/14	2.50x2.50x60.00 (64x64x1524)	17.92 (455)	2.09 (53)	.63 (16)	1.34(34)	60.31 (1532)	4.00 (102)
T2272CH	14/14	2.50x2.50x72.00 (64x64x1829)	21.92 (557)	2.09 (53)	.63 (16)	1.34(34)	72.31 (1837)	4.00 (102)
T4412CH	14/14	4.00x4.00x12.00 (102x102x305)	5.75 (146)	3.59 (91)	2.13 (54)	2.78 (71)	12.31 (313)	5.50 (140)
T4418CH	14/14	4.00x4.00x18.00 (102x102x457)	11.75 (298)	3.59 (91)	2.13 (54)	2.84 (72)	18.31 (465)	5.50 (140)
T4424CH	14/14	4.00x4.00x24.00 (102x102x610)	8.88 (225)	3.59 (91)	2.13 (54)	2.84 (72)	24.31 (618)	5.50 (140)
T4430CH	14/14	4.00x4.00x30.00 (102x102x762)	11.88 (302)	3.59 (91)	2.13 (54)	2.84 (72)	30.31 (770)	5.50 (140)
T4436CH	14/14	4.00x4.00x36.00 (102x102x914)	14.88 (378)	3.59 (91)	2.13 (54)	2.84 (72)	36.31 (922)	5.50 (140)
T4448CH	14/14	4.00x4.00x48.00 (102x102x1219)	20.88 (530)	3.59 (91)	2.13 (54)	2.84 (72)	48.31 (1227)	5.50 (140)
T4460CH	14/14	4.00x4.00x60.00 (102x102x1524)	17.92 (455)	3.59 (91)	2.13 (54)	2.84 (72)	60.31 (1532)	5.50 (140)
T4472CH	14/14	4.00x4.00x72.00 (102x102x1829)	21.95 (557)	3.59 (91)	2.13 (54)	2.84 (72)	72.31 (1837)	5.50 (140)
T6612CH	14/14	6.00x6.00x12.00 (152x152x305)	5.75 (146)	5.59 (142)	4.13 (105)	4.78 (121)	12.31 (313)	7.50 (191)
T6618CH	14/14	6.00x6.00x18.00 (152x152x457)	11.75 (298)	5.59 (142)	4.13 (105)	4.84 (123)	18.31 (465)	7.50 (191)
T6624CH	14/14	6.00x6.00x24.00 (152x152x610)	8.88 (225)	5.59 (142)	4.13 (105)	4.84 (123)	24.31 (618)	7.50 (191)
T6630CH	14/14	6.00x6.00x30.00 (152x152x762)	11.88 (302)	5.59 (142)	4.13 (105)	4.84 (123)	30.31 (770)	7.50 (191)
T6636CH	14/14	6.00x6.00x36.00 (152x152x914)	14.88 (378)	5.59 (142)	4.13 (105)	4.84 (123)	36.31 (922)	7.50 (191)
T6648CH	14/14	6.00x6.00x48.00 (152x152x1219)	20.88 (530)	5.59 (142)	4.13 (105)	4.84 (123)	48.31 (1227)	7.50 (191)
T6660CH	14/14	6.00x6.00x60.00 (152x152x1524)	17.92 (455)	5.59 (142)	4.13 (105)	4.84 (123)	60.31 (1532)	7.50 (191)
T6672CH	14/14	6.00x6.00x72.00 (152x152x1829)	21.92 (557)	5.59 (142)	4.13 (105)	4.84 (123)	72.31 (1837)	7.50 (191)
T8812CH	14/14	8.00x8.00x12.00 (203x203x305)	5.75 (146)	7.59 (193)	6.13 (156)	6.78 (172)	12.31 (313)	9.50 (241)
T8824CH	14/14	8.00x8.00x24.00 (203x203x610)	8.88 (225)	7.59 (193)	6.13 (156)	6.84 (174)	24.31 (618)	9.50 (241)
T8836CH	14/14	8.00x8.00x36.00 (203x203x914)	14.88 (378)	7.59 (193)	6.13 (156)	6.84 (174)	36.31 (922)	9.50 (241)
T8848CH	14/14	8.00x8.00x48.00 (203x203x1219)	20.88 (530)	7.59 (193)	6.13 (156)	6.84 (174)	48.31 (1227)	9.50 (241)
T8860CH	14/14	8.00x8.00x60.00 (203x203x1524)	17.92 (455)	7.59 (193)	6.13 (156)	6.84 (174)	60.31 (1532)	9.50 (241)
T121224CH	14/14	12.00x12.00x24.00 (305x305x610)	8.88 (225)	11.59 (294)	10.13 (257)	10.84 (275)	24.31 (618)	13.50 (343)
T121236CH	14/14	12.00x12.00x36.00 (305x305x914)	14.88 (378)	11.59 (294)	10.13 (257)	10.84 (275)	36.31 (922)	13.50 (343)
T121248CH	14/14	12.00x12.00x48.00 (305x305x1219)	20.88 (530)	11.59 (294)	10.13 (257)	10.84 (275)	48.31 (1227)	13.50 (343)
T121260CH	14/14	12.00x12.00x60.00 (305x305x1524)	17.92 (455)	11.59 (294)	10.13 (257)	10.84 (275)	60.31 (1532)	13.50 (343)



TOP VIEW WITH COVER REMOVED



Notes:

1. 2 clamps are used when L = 12.00" and 18.00"
2. 3 clamps are used when L = 24.00" through 48.00"
3. 4 clamps are used when L = 60.00" and 72.00"

**W1C SERIES CONSOLES
NEMA 12 OPERATOR INTERFACE**



W1C30

Industry Standards

UL 508, Types 12 & 13
CSA Certified, Type 12 & 13
NEMA/EEMAC Types 12 & 13

 UL Files E64791

 CSA File LL66078

FEATURES-SPECIFICATIONS

Applications

Designed to house electrical and electronic controls and instruments. Pushbuttons, pilot lights, meters, switches etc., can be mounted on sloping control surfaces. Interior components can be mounted on standard back panel. Heavy duty construction provides protection from dirt, dust, oil and water.

Construction

- Bodies and doors fabricated from 14 gauge steel
- Seams are continuously welded and ground smooth without knockouts, holes, or cutouts

- 3-point keylocking handle is provided on front, main door
- Main door on console is raised
- Control panels are hinged along bottom edge
- Controls panels, access panels and instrument panels have captivated screws which thread into sealed wells
- Door stops provided to hold control panel open
- Print pocket is provided
- Grounding provisions provided
- Closed cell neoprene gasket
- Removable back panel included with enclosure

Writing Desk

- Fabricated from 14 gauge steel
- Seams are continuously welded and ground smooth
- Desks are removable and attach easily to console front
- Desks must be ordered separately

Finish

- ANSI 61 gray polyester powder inside and out over phosphatized surfaces
- Included back panel is white polyester powder over phosphatized surfaces

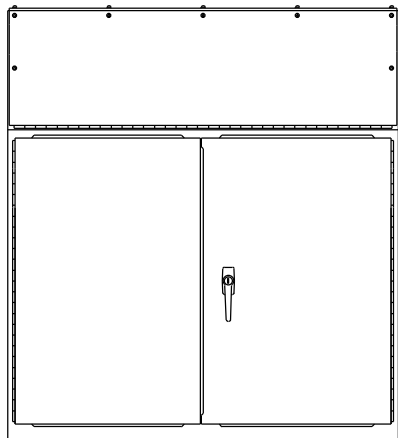
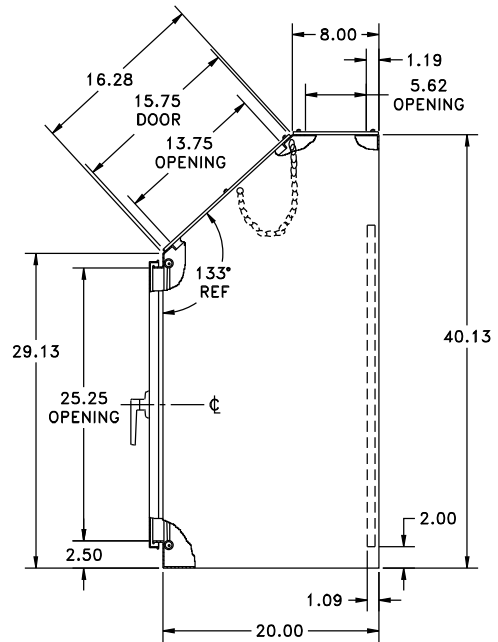
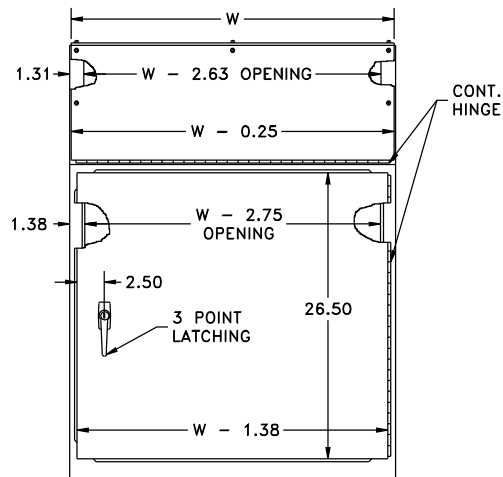
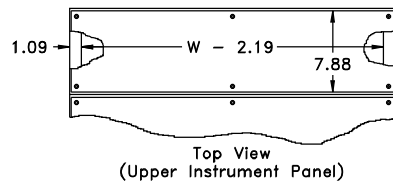
Accessories

- See pages J1-J19

W1C SERIES OPERATOR INTERFACE CONSOLES		
CATALOG NUMBER	ENCLOSURE SIZE H X W X D	BACK PANEL SIZE H X W*
W1C24	40.00x24.00x20.00 (1016x610x508)	30.00x21.00 (762x533)
W1C30	40.00x30.00x20.00 (1016x762x508)	30.00x27.00 (762x686)
W1C36	40.00x36.00x20.00 (1016x914x508)	30.00x33.00 (762x838)
W1C42**	40.00x42.00x20.00 (1016x1067x508)	30.00x39.00 (762x991)
W1C48**	40.00x48.00x20.00 (1016x1219x508)	30.00x45.00 (762x1143)

* Back panel included with enclosure.

** Two Door Units



View Showing
Two Door Console

Notes:

1. One 8X10 Print Pocket is provided.
2. 3-point key-locking handles are provided on main doors.
3. Rear panel included.

**WC9 SERIES CONSOLES
NEMA 12 OPERATOR INTERFACE**



WC924B

Industry Standards

UL 508, Types 12 & 13
CSA Certified, Type 12 & 13
NEMA/EEMAC Types 12 & 13

 UL Files E64791

 CSA File LL66078

FEATURES-SPECIFICATIONS

Applications

Designed to house electrical and electronic controls, instruments and components. Heavy duty construction provides protection from dirt, dust, oil and water. Sloping front control panel provides an ideal surface for mounting pushbuttons, pilot lights, meters and switches. Interior components can be mounted on panels located on the sides and back of the enclosure. (Panels are optional)

Construction

- Bodies and doors fabricated from 14 gauge steel

- Continuously welded seams ground smooth, less knockouts or holes
- 3-point keylocking handle is provided on front access door
- Control panel attached with continuous hinge along bottom edge and secured with captive screws, threaded into sealed wells
- Door stops are provided to hold control panel open
- Collar studs provided for mounting one, two or three **optional** panels
- Closed cell neoprene gasket
- Print pocket is provided
- Grounding provisions provided

Finish

- ANSI 61 gray polyester powder inside and out over phosphatized surfaces
- **Optional** side and back panels are white polyester powder over phosphatized surfaces

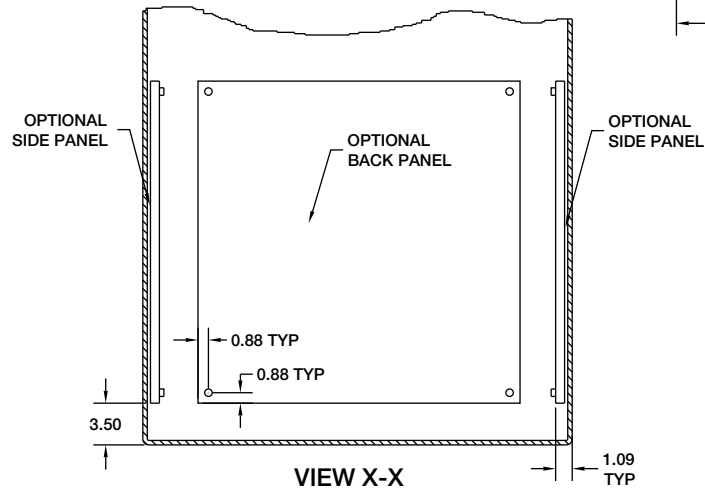
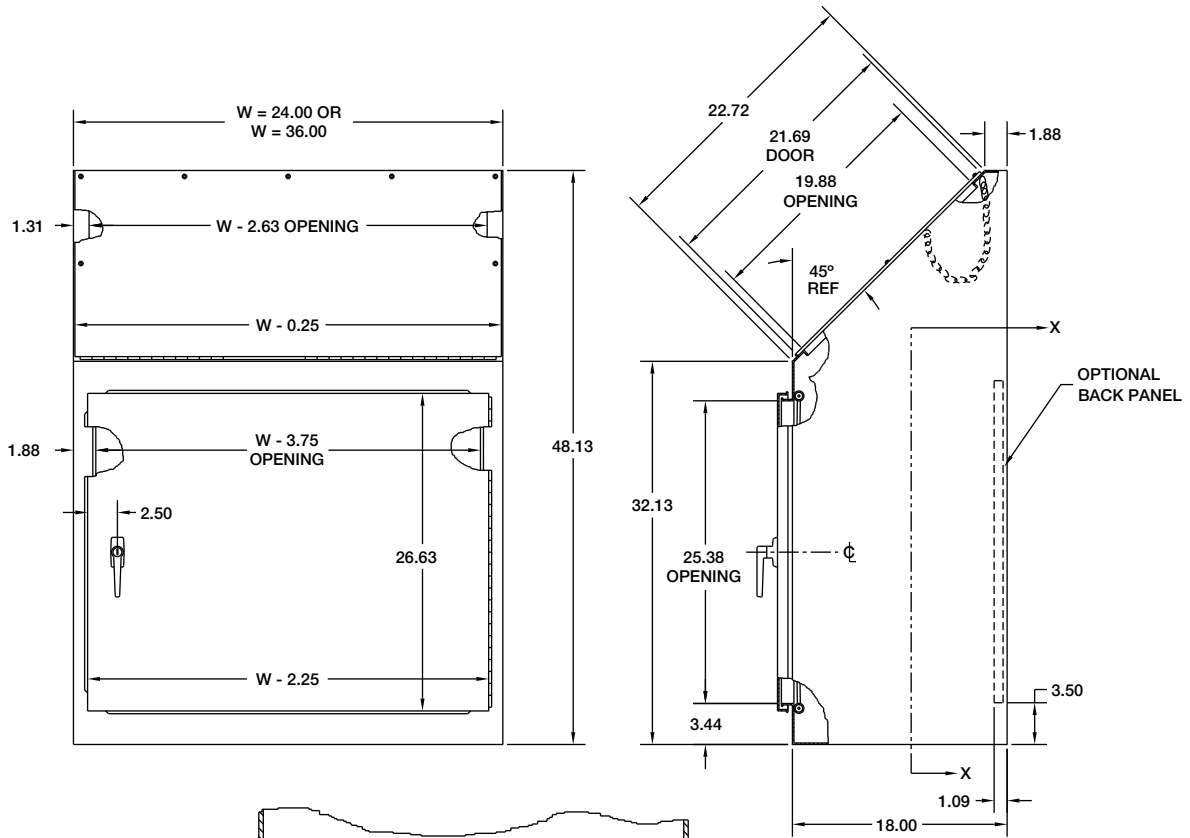
Accessories

- Side panels, back panels and caster kits (reference tables)
- See pages J1-J19

WC9 SERIES OPERATOR INTERFACE CONSOLES							
CATALOG NUMBER	BODY/DOOR STEEL GAUGE	DESCRIPTION/SIZE	BACK PANEL CATALOG NUMBER*	BACK PANEL SIZE H X W	SIDE PANEL CATALOG NUMBER	SIDE PANEL H X W	CASTER KIT CATALOG NUMBER
WC924B**	14/14	Console body only 24" wide	NP3020	27.00x17.00 (686x432)	NP3020	27.00x17.00 (686x432)	WC10C
WC936B	14/14	Console body only 36" wide	NP3030	27.00x27.00 (686x686)	NP3020	27.00x17.00 (686x432)	WC10C

*Panels and Caster Kits must be ordered separately.

**UL Listed.



Notes:

1. One 8X10 Print Pocket is provided.
2. 3-point key-locking handles are provided on main doors.
3. Rear panel is optional.

**WC10 SERIES CONSOLES
NEMA 12 OPERATOR INTERFACE**



WC10B

Industry Standards

UL 508, Types 12 & 13
CSA Certified, Type 12 & 13
NEMA/EEMAC Types 12 & 13

 UL Files E64791

 CSA File LL66078

FEATURES-SPECIFICATIONS

Applications

Designed to hold electrical and electronic controls and instruments. Pushbuttons, pilot lights, meters, switches etc., can be mounted on sloping control surfaces. Interior components can be mounted on back panel and terminal straps. Heavy-duty construction provides protection from dirt, dust, oil and water.

Construction – Body

- Fabricated from 14 gauge steel
- Seams are continuously welded and ground smooth
- 3-point keylocking handle is provided on front, main door
- Flush main door
- Control panels are hinged along bottom edge

- Controls panels have captivated screws which thread into sealed wells
- Door stops provided to hold control panel open
- Print pocket is provided
- Standard closed cell neoprene gasket is provided
- Removable back panel is included with enclosure
- Ground provisions provided

Construction – Top

- Fabricated from 14 gauge steel
- Seams are continuously welded and ground smooth
- Instrument and access panels have captivated screws which thread into sealed wells
- Closed cell neoprene gasket

Construction – Writing Desk

- Fabricated from 14 gauge steel
- Seams are continuously welded and ground smooth
- Desks are removable and attach easily to console front

Finish

- ANSI 61 gray polyester powder inside and out over phosphatized surfaces
- Included back panel is white polyester powder over phosphatized surfaces

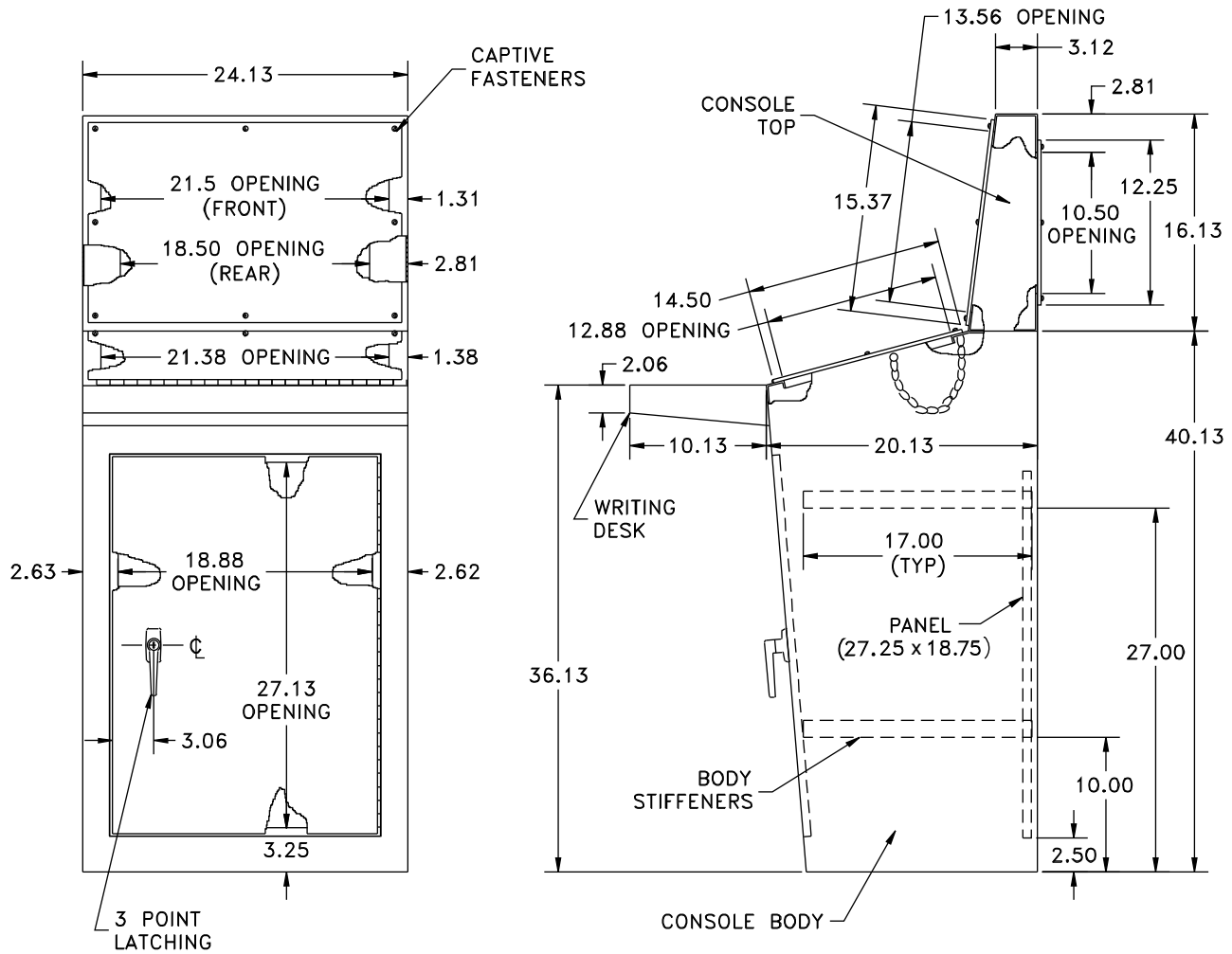
Accessories

- See pages J1-J19

WC10 SERIES OPERATOR INTERFACE CONSOLES	
CATALOG NUMBER	DESCRIPTION / SIZE
WC10B*	Console body only / 24.00" wide
WC10T	Top for WC10B
WC10W	Writing desk for WC10B
WC10C	Caster kit

*U.L. Listed. Back panels are included with console.

NOTE: Tops, writing desks, and caster kits must be ordered separately.



Notes:

1. Access doors open 180 degrees.
2. One 8X10 Print Pocket is provided.
3. 3-point key-locking handles are provided on main doors.
4. Writing desk is provided with mounting hardware.
5. 27.25 X 18.75 rear panel included.

**WC12 SERIES CONSOLES
NEMA 12 OPERATOR INTERFACE**



WC1248BD

Industry Standards

UL 508, Types 12 & 13
CSA Certified, Type 12 & 13
NEMA/EEMAC Types 12 & 13

 UL Files E64791

 CSA File LL66078

FEATURES-SPECIFICATIONS

Applications

Designed to hold electrical and electronic controls and instruments. Pushbuttons, pilot lights, meters, switches etc., can be mounted on sloping control surfaces. Interior components can be mounted on standard back panel and terminal straps. Heavy duty construction provides protection from dirt, dust, oil and water.

Construction – Body

- Bodies and doors fabricated from 14 gauge steel
- Seams are continuously welded and ground smooth
- 3-point keylocking handle is provided on front, main door
- Double overlapping doors are provided on two door consoles
- Main hinged doors are flush
- Large sloping control panels are hinged along the bottom edge
- Control panels have captivated screws which thread into sealed wells

- Grounding provisions provided
- Door stops provided to hold control panel open
- Print pocket is provided
- Closed cell neoprene gasket is provided
- Removable back panel included with console
- Studs are welded to inside of console for mounting back panel
- An inclined body rail is welded to each side of 24.00" wide and 36.00" wide consoles for support of terminal straps

Construction – Top

- Fabricated from 14 gauge steel
- Tops has a sloped front surface
- Seams are continuously welded and ground smooth
- Instrument and access panels have captivated screws which thread into sealed well

- 4 holes are provided in bottom of top for mounting to body
- Closed cell neoprene gasket
- Instrument panels and access panels are removable

Construction – Writing Desk

- Fabricated from 14 gauge steel
- Seams are continuously welded and ground smooth
- Desks are removable and attach easily to console front

Finish

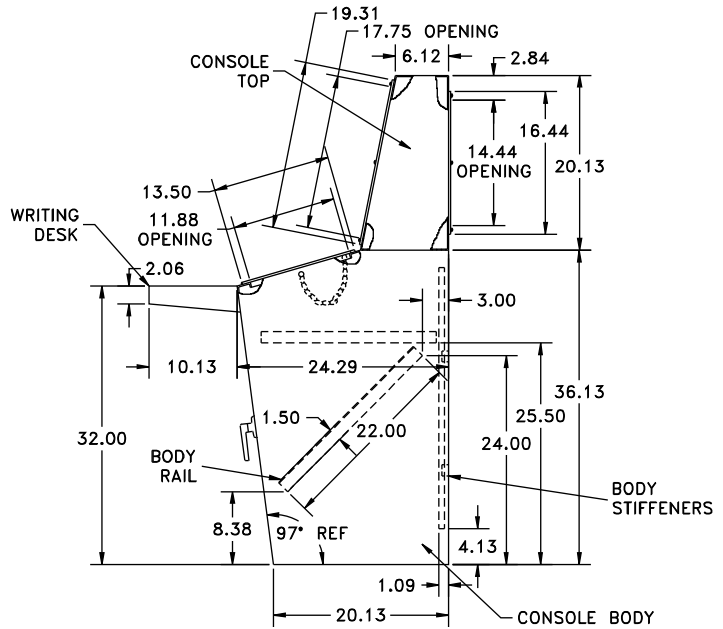
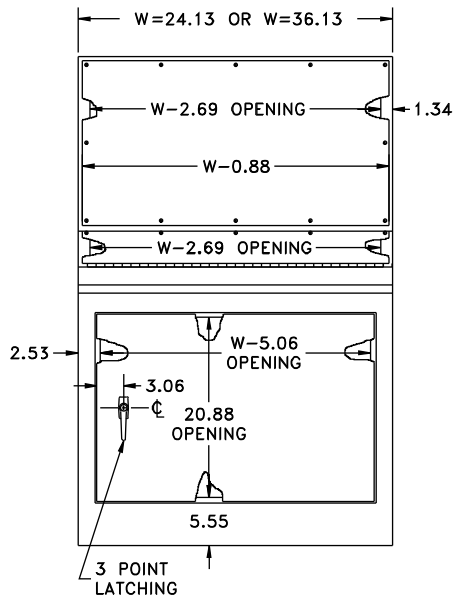
- ANSI 61 gray polyester powder inside and out over phosphatized surfaces
- Included back panel is white polyester powder over phosphatized surfaces

Accessories

- See pages J1-J19

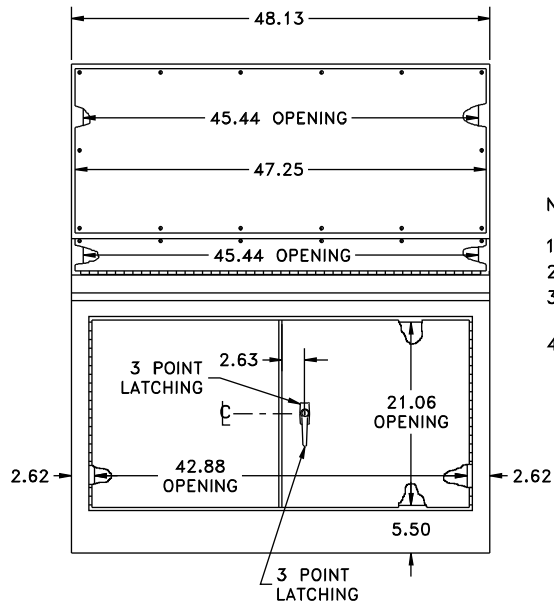
WC12 SERIES OPERATOR INTERFACE CONSOLES					
CATALOG NUMBER CONSOLE ONLY	CONSOLE WIDTH	CATALOG NUMBER			BACK PANEL SIZE H X W
		CONSOLE TOP	WRITING DESK	CASKET KIT	
WC1224B	24" (610)	WC1224T	WC1224W	WC12C	32"x18" (813x457)
WC12B	36" (914)	WC12T	WC12W	WC12C	32"x30" (813x762)
WC1248BD	48" (1219)	WC1248T	WC1248W	WC12C	32"x42" (813x1067)

WC1224B & WC12B



**RIGHT VIEW
(APPLICABLE TO ALL)**

WC1248BD



Notes:

1. Access doors open 180 degrees.
2. One 8X10 Print Pocket is provided.
3. 3-point key-locking handles are provided on main doors.
4. Writing desk is provided with mounting hardware.

WC14 SERIES CONSOLES NEMA 12 OPERATOR INTERFACE



WC14B

Industry Standards

UL 508, Types 12 & 13
CSA Certified, Type 12 & 13
NEMA/EEMAC Types 12 & 13

 UL Files E64791

 CSA File LL66078

FEATURES-SPECIFICATIONS

Applications

Designed to hold electrical and electronic controls and instruments. Pushbuttons, pilot lights, meters, switches etc., can be mounted on the instrument panel. Interior components are motorized on stationary sub panels, swing-out sub panels or relay rack angles (panels are optional). Heavy duty construction provides protection from dirt, dust, oil and water. Numerous accessories and variable combinations make these consoles most versatile.

Construction – Body

- Bodies and doors fabricated from 14 gauge steel
- Seams are continuously welded and ground smooth, less knockouts or holes
- 3-point keylocking handle is provided on front, main door
- Double overlapping doors are provided on two door consoles
- Main hinged doors are flush

- Grounding provisions provided
- One or two large sloping control panels are hinged on bottom
- Control panels have captivated screws which thread into sealed wells
- Door stops provided to hold control panel open
- Two print pockets are included
- Closed cell neoprene gasket is provided
- Horizontal channels are welded to sides of console to support **optional** panels, swing-out panels and rack mounting angles
- Half, full, and swing panels are **optional**

Construction – Top

- Fabricated from 14 gauge steel
- Top unit is 12.50" deep to accommodate most instruments
- Seams are continuously welded and ground smooth, less knockouts or holes

- Instrument and access panels have captivated screws which thread into sealed wells
- 4 holes are provided in bottom of top for mounting to body
- Instrument and access panels are removable
- Closed cell neoprene gasket

Construction – Writing Desk

- Fabricated from 14 gauge steel
- Seams are continuously welded and ground smooth
- Desks are removable and attach easily to console front

Finish

- ANSI 61 gray polyester powder inside and out over phosphatized surfaces
- **Optional** panels are white polyester powder over phosphatized surfaces

Accessories

- See pages J1-J19

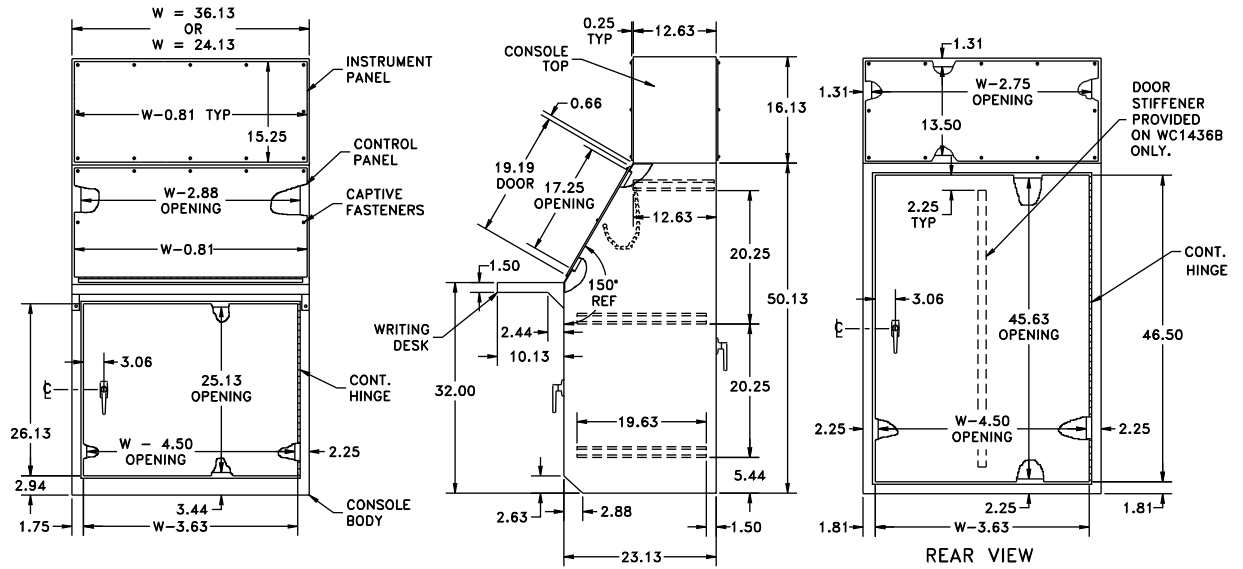
WC14 SERIES OPERATOR INTERFACE CONSOLES								
CATALOG NUMBER CONSOLE ONLY	CONSOLE WIDTH	CATALOG NUMBER			PANEL SIZES H X W	CATALOG NUMBER		
		CONSOLE TOP	WRITING DESK	VARIOUS PANEL*		CASTER KIT	CLAMPING NUTS	RACK ANGLES
WC14B (Single door)	24.00" (610)	WC14T	WC14W	WC14P1 (Swing panel)	22.00x18.13 (559x461)	WC12C	WAPS1420CN	WC14R
—	—	—	—	WC14P2 (Half panel)	22.00x17.00 (559x432)	—	—	—
—	—	—	—	WC14P3 (Full panel)	42.25x17.00 (1073x432)	—	WAPS3816CN	—
WC1436B (Single door)	36.00" (914)	WC1436T	WC1436W	WC1436P1 (Swing panel)	22.00x30.13 (559x765)	WC12C	WAPS1420CN	—
—	—	—	—	WC1436P2 (Half panel)	22.00x29.00 (559x737)	—	—	—
—	—	—	—	WC1436P3 (Full panel)	42.25x29.00 (1073x737)	—	WAPS3816CN	—
WC1448BD (Double door)	48.00" (1219)	WC1448T	WC1448W	WC1448P2 (Half panel)	22.00x41.00 (559x1041)	WC12C	WAPS1420CN	—
—	—	—	—	WC1448P3 (Full panel)	42.25x41.00 (1073x1041)	—	WAPS3816CN	—
WC1460BD (Double door)	60.00" (1524)	WC1460T	WC1460W	WC1460P2 (Half panel)	22.00x53.00 (559x1346)	WC12C	WAPS1420CN	—
—	—	—	—	WC1460P3 (Full panel)	42.25x53.00 (1073x1346)	—	WAPS3816CN	—

*Full, Half, and Swing panels must be ordered separately.

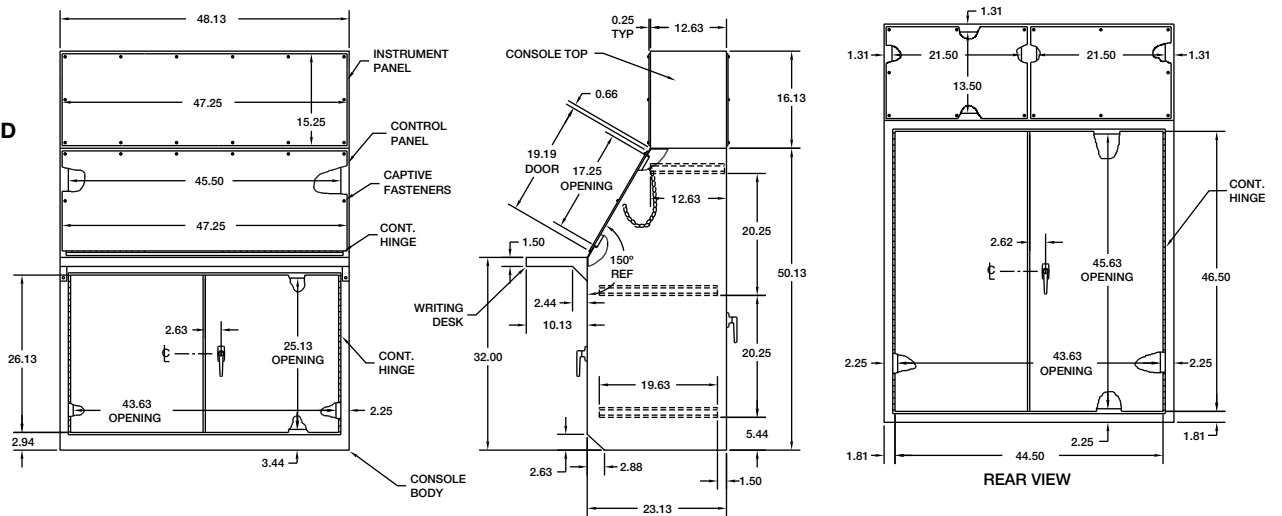
**WC14 SERIES CONSOLES
NEMA 12 OPERATOR INTERFACE**

H11

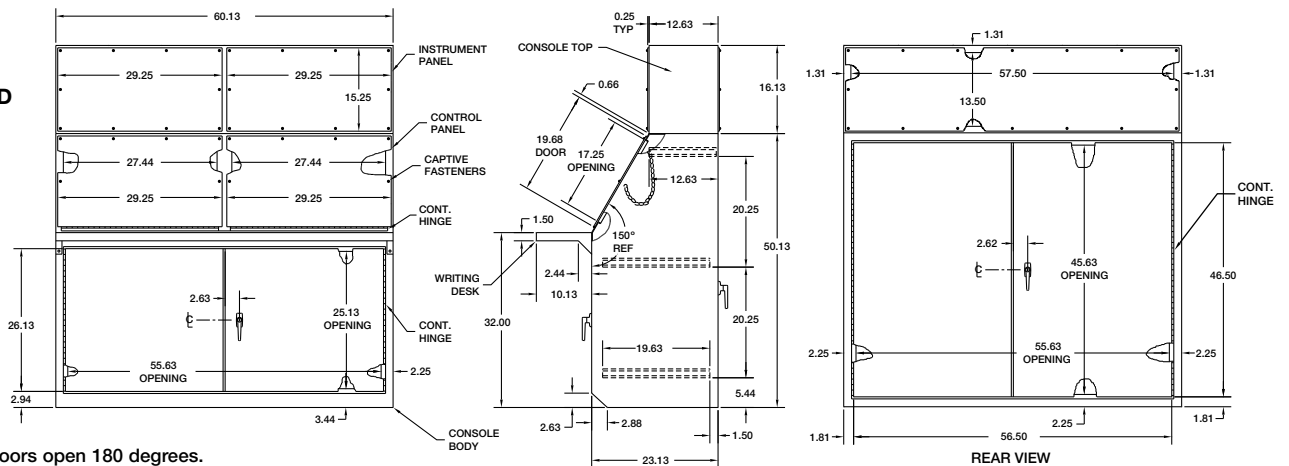
**WC14B and
WC1436B**



WC1448BD



WC1460BD



Notes:

1. Access doors open 180 degrees.
2. Two 8X10 Print Pockets are provided.
3. 3-point key-locking handles are provided on access doors.
4. Writing desk is provided with mounting hardware.

WC-C SERIES CONSOLES NEMA 12 OPERATOR INTERFACE



WC12C12

Industry Standards

UL 508, Types 12 & 13
CSA Certified, Types 12 & 13
NEMA/EEMAC Type 12 & 13
JIC EL-1-71

 UL Files E64791

 CSA File LL66078

FEATURES-SPECIFICATIONS

Applications

Designed to house a variety of electronic control or instrumentation devices. Consoles provide protection from dust, dirt, oil, and water. Flexible design allows for mounting on either one or two sides, creating control surfaces of 30 degrees or 60 degrees. Consoles can be mounted on desktops, pedestals, or other flat surfaces.

Construction

- Bodies and doors fabricated from 14 gauge steel
- Continuously welded seams ground smooth, less knockouts or holes
- Captivated cover screws thread into sealed wells
- Control panel is continuously hinged along bottom edge

- Closed cell oil resistant neoprene gasket
- Grounding provisions provided

Finish

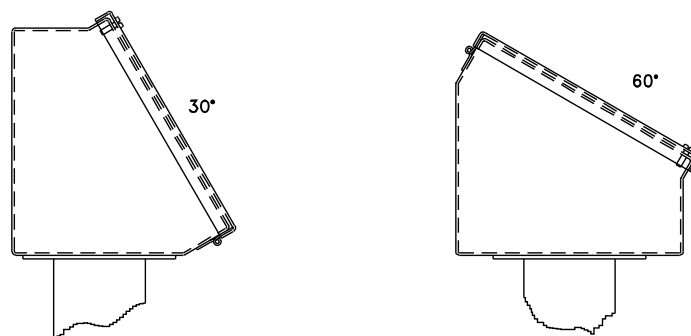
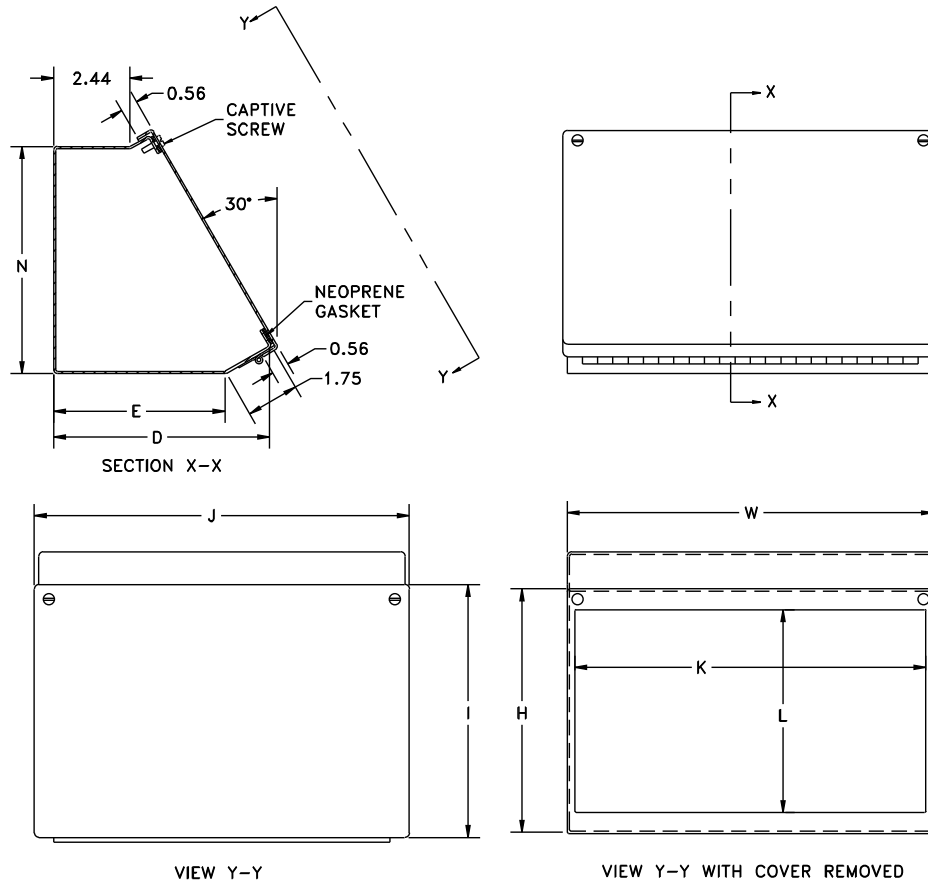
- ANSI-61 gray polyester powder inside and out over phosphatized surfaces

Accessories

See pages J1-J19

WC-C SERIES OPERATOR INTERFACE CONSOLES

CATALOG NUMBER	BODY/DOOR STEEL GAUGE	ENCLOSURE SIZE H X W X D	E	N	L	K	I	J
WC08C08	14/14	8.00x8.00x7.09 (203x203x180)	5.69 (144)	7.44 (189)	6.56 (167)	7.44 (189)	8.31 (211)	8.31 (211)
WC08C12	14/14	8.00x12.00x7.09 (203x305x180)	5.69 (144)	7.44 (189)	6.56 (167)	11.44 (291)	8.31 (211)	12.31 (313)
WC08C16	14/14	8.00x16.00x7.09 (203x406x180)	5.69 (144)	7.44 (189)	6.56 (167)	15.44 (392)	8.31 (211)	16.31 (414)
WC08C20	14/14	8.00x20.00x7.09 (203x508x180)	5.69 (144)	7.44 (189)	6.56 (167)	19.44 (494)	8.31 (211)	20.31 (516)
WC12C12	14/14	12.00x12.00x9.09 (305x305x231)	7.69 (195)	10.91 (277)	10.56 (268)	11.44 (291)	12.31 (313)	12.31 (313)
WC12C16	14/14	12.00x16.00x9.09 (305x406x231)	7.69 (195)	10.91 (277)	10.56 (268)	15.44 (392)	12.31 (313)	16.31 (414)
WC12C20	14/14	12.00x20.00x9.09 (305x508x231)	7.69 (195)	10.91 (277)	10.56 (268)	19.44 (494)	12.31 (313)	20.31 (516)
WC12C24	14/14	12.00x24.00x9.09 (305x610x231)	7.69 (195)	10.91 (277)	10.56 (268)	23.44 (595)	12.31 (313)	24.31 (618)
WC16C16	14/14	16.00x16.00x11.09 (406x406x282)	9.69 (246)	14.38 (365)	14.56 (370)	15.44 (392)	16.31 (414)	16.31 (414)
WC16C20	14/14	16.00x20.00x11.09 (406x508x282)	9.69 (246)	14.38 (365)	14.56 (370)	19.44 (494)	16.31 (414)	20.31 (516)
WC16C24	14/14	16.00x24.00x11.09 (406x610x282)	9.69 (246)	14.38 (365)	14.56 (370)	23.44 (595)	16.31 (414)	24.31 (618)
WC16C30	14/14	16.00x30.00x11.09 (406x762x282)	9.69 (246)	14.38 (365)	14.56 (370)	29.44 (748)	16.31 (414)	30.31 (770)
WC16C36	14/14	16.00x36.00x11.09 (406x914x282)	9.69 (246)	14.38 (365)	14.56 (370)	35.44 (900)	16.31 (414)	36.31 (922)
WC20C20	14/14	20.00x20.00x13.09 (508x508x333)	11.69 (297)	17.84 (453)	18.56 (471)	19.44 (494)	20.31 (516)	20.31 (516)
WC20C24	14/14	20.00x24.00x13.09 (508x610x333)	11.69 (297)	17.84 (453)	18.56 (471)	23.44 (595)	20.31 (516)	24.31 (618)
WC20C30	14/14	20.00x30.00x13.09 (508x762x333)	11.69 (297)	17.84 (453)	18.56 (471)	29.44 (748)	20.31 (516)	30.31 (770)



Consolet can be positioned at 30° or 60° angle.

CCOL & BASE SERIES PEDESTALS NEMA 12 OPERATOR INTERFACE



WA44CCOL
WITH OPTIONAL BASE SHOWN



WA44BPCOL
WITH OPTIONAL BASE SHOWN

Industry Standards Type 12 & 13

 UL Files E64791

 CSA File LL66078

FEATURES-SPECIFICATIONS

Applications

Designed to permit floor mounting of many types of enclosures and boxes. Four column and two base sizes are available. Columns can be mounted on either base. Wiring connections can be made through the base, through the vertical column, or directly to the enclosure. Columns have flanges at each end and a gasketed access plate. Screws, oil-resistant gaskets, and box connector fitting are furnished with each column for joining and enclosure to the top of the column. A cutout must be made in the enclosure if the wires are to come through the column.

Construction – Column

- Columns fabricated from 14 gauge steel with 10 gauge flanges
- Gasket, screws and box connective fittings are furnished for mounting console
- Columns feature gasketed access plate
- Stainless steel columns fabricated from 304 stainless steel

Construction – Base

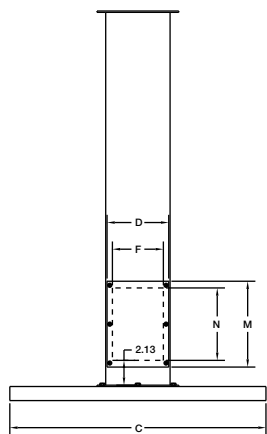
- 18" bases are fabricated from 10 gauge steel
- 24" bases are fabricated from 7 gauge steel
- Both bases have added reinforcing, leveling screws and holes for securing to floor
- Stainless steel bases fabricated from 304 stainless steel

Finish

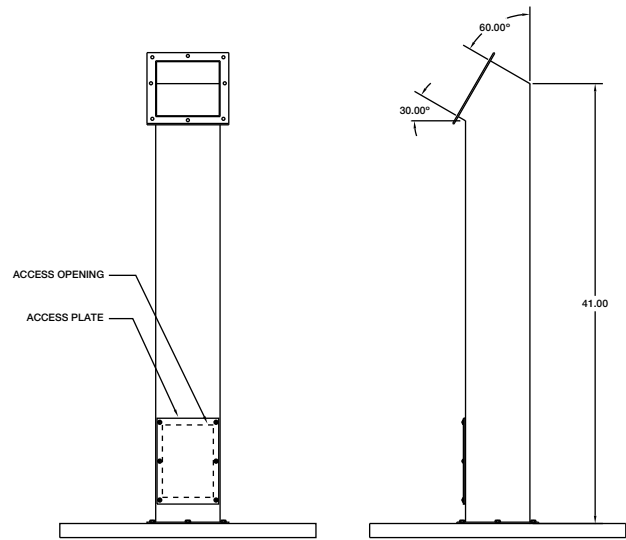
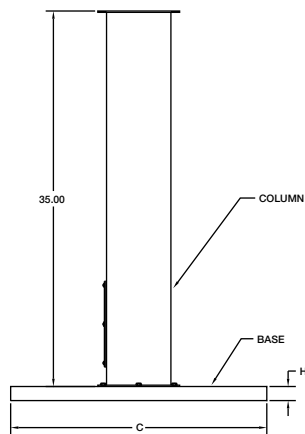
- ANSI-61 gray polyester powder inside and out over phosphatized surfaces
- Stainless steel product – standard grain finish

OPERATOR INTERFACE PEDESTALS AND BASES											
CATALOG NUMBER		BODY/DOOR STEEL GAUGE	SIZE	DESCRIPTION	C	D	F	H	M	N	P
GRAY	STAINLESS STEEL										
WA44CCOL	WA44CCOLSS	14	4.00x4.00 (102x102)	Straight pedestal column	—	3.75 (95)	2.75 (70)	—	7.25 (184)	6.00 (152)	—
WA66CCOL	WA66CCOLSS	14	6.00x6.00 (152x152)	Straight pedestal column	—	5.75 (146)	4.75 (121)	—	8.00 (203)	6.75 (171)	—
WA44BPCOL	WA44BPCOLSS	14	4.00x4.00 (102x102)	Angled pedestal column	—	3.75 (95)	2.75 (70)	—	7.25 (184)	6.00 (152)	—
WA66BPCOL	WA66BPCOSS	14	6.00x6.00 (152x152)	Angled pedestal column	—	5.75 (146)	4.75 (121)	—	8.00 (203)	6.75 (171)	—
WA18SBASE	WA18SBASESS	10	18.00x18.00 (457x457)	Pedestal base	18.06 (459)	—	—	1.13 (29)	—	—	0.47 (12)
WA24SBASE	WA24SBASESS	7	24.00x24.00 (610x610)	Pedestal base	23.88 (606)	—	—	1.31 (33)	—	—	0.78 (20)

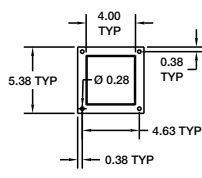
NOTE: The user would normally remove the mounting feet from the enclosure if the enclosure is mounted on a pedestal. Hubbell Wiegmann can supply enclosures without mounting feet/plates and with cutouts as a special. Consult factory for information.



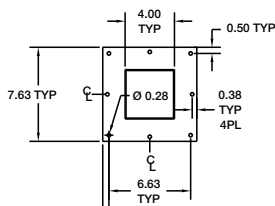
STRAIGHT PEDESTALS



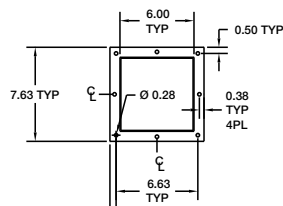
ANGLED PEDESTALS



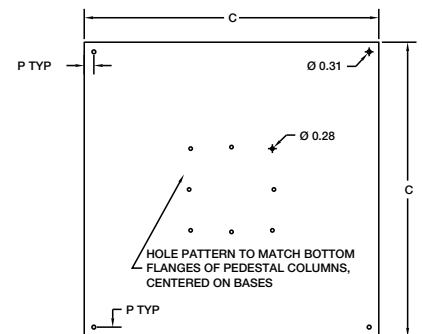
**TOP FLANGE
4 X 4**



**BOTTOM FLANGE
4 X 4**



**TOP AND BOTTOM FLANGES
6 X 6**



TOP VIEW OF BASES


WPBA SERIES SLOPING PUSHBUTTON ENCLOSURES NEMA 12 OPERATOR INTERFACE



WPBA10

Industry Standards

UL 508, Types 12 & 13
CSA Certified, Types 12 & 13
NEMA/EEMAC Type 12 & 13
JIC EL-1-71

 UL Files E64791

 CSA File LL66078

FEATURES-SPECIFICATIONS

Applications

Designed for use where slanted control surfaces are wanted. Enclosures may be mounted in a variety of ways to meet specific requirements. Receives all standard brands of oil-tight pushbuttons, switches and pilot lights. Provide protection from dirt, dust, oil and water.

Construction

- Fabricated from 14 gauge steel
- Closed cell oil resistant neoprene gasket

- Continuously welded seams ground smooth
- External mounting plate, top and bottom of enclosure
- Captivated cover screws thread into sealed wells
- Standard "4-way" pushbutton holes accept all brands of oil-tight push-buttons, switches and pilot lights
- Enclosures 7.25" x 6.25" x 6.75" and larger have internal detachable

hinges to hold cover open during wiring, yet permit quick removal

- Grounding provisions provided

Finish

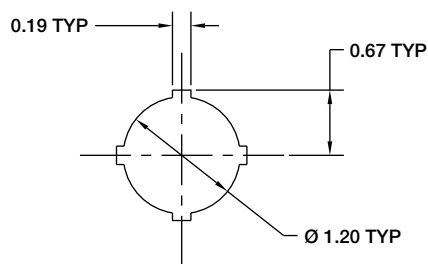
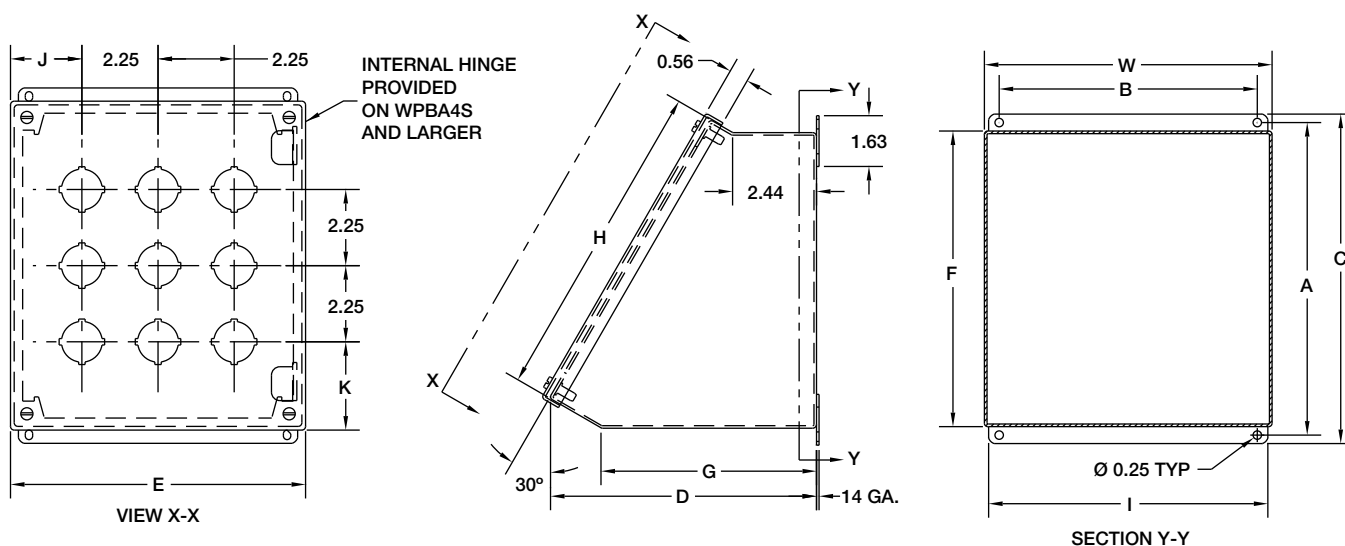
- ANSI-61 gray polyester powder inside and out over phosphatized surfaces

Accessories

- See pages J1-J19

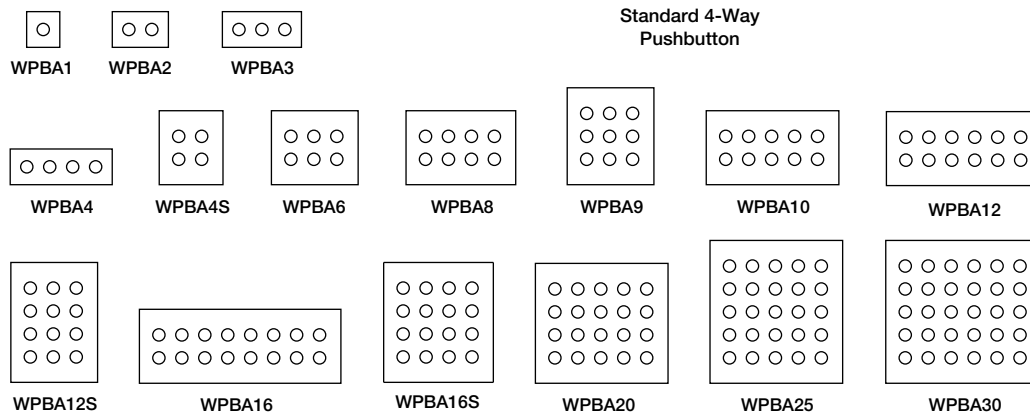
WPBA SERIES OPERATOR INTERFACE • 30.5MM SLOPING FRONT PUSHBUTTON ENCLOSURES

CATALOG NUMBER	BODY/DOOR STEEL GAUGE	ENCLOSURE SIZE H X W X D	MOUNTING A X B	OVERALL C X E	F	G	I	J	K
WPBA1	14/14	3.50x3.25x4.78 (89x83x121)	4.03x2.38 (102x60)	4.53x3.56 (115x90)	3.53 (90)	3.31 (84)	3.00 (76)	1.78 (45)	1.88 (48)
WPBA2	14/14	3.50x5.50x4.78 (89x140x121)	4.03x4.63 (102x117)	4.53x5.81 (115x148)	3.53 (90)	3.31 (84)	5.25 (133)	1.78 (45)	1.88 (48)
WPBA3	14/14	3.50x7.75x4.78 (89x197x121)	4.03x6.88 (102x175)	4.53x8.06 (115x205)	3.53 (90)	3.31 (84)	7.50 (191)	1.78 (45)	1.88 (48)
WPBA4	14/14	3.50x10.00x4.78 (89x254x121)	4.03x9.13 (102x232)	4.53x10.31 (115x262)	3.53 (90)	3.31 (84)	9.75 (248)	1.78 (45)	1.88 (48)
WPBA4S	14/14	7.25x6.25x6.66 (184x159x169)	7.28x5.38 (185x137)	7.78x6.56 (198x167)	6.78 (172)	5.19 (132)	6.00 (152)	2.16 (55)	2.63 (67)
WPBA6	14/14	7.25x8.50x6.66 (184x216x169)	7.28x7.63 (185x194)	7.78x8.81 (198x224)	6.78 (172)	5.19 (132)	8.25 (210)	2.16 (55)	2.63 (67)
WPBA8	14/14	7.25x10.75x6.66 (184x273x169)	7.28x9.88 (185x251)	7.78x11.06 (198x281)	6.78 (172)	5.19 (132)	10.50 (267)	2.16 (55)	2.63 (67)
WPBA9	14/14	9.50x8.50x7.78 (241x216x198)	9.25x7.63 (235x194)	9.75x8.81 (248x224)	8.75 (222)	6.31 (160)	8.25 (210)	2.16 (55)	2.63 (67)
WPBA10	14/14	7.25x13.00x6.66 (184x330x169)	7.28x12.13 (185x308)	7.78x13.31 (198x338)	6.78 (172)	5.19 (132)	12.75 (324)	2.16 (55)	2.63 (67)
WPBA12	14/14	7.25x15.25x6.66 (184x387x169)	7.28x14.38 (185x365)	7.78x15.56 (198x395)	6.78 (172)	5.19 (132)	15.00 (381)	2.16 (55)	2.63 (67)
WPBA12S	14/14	11.75x8.50x8.91 (298x216x226)	11.19x7.63 (284x194)	11.69x8.81 (297x224)	10.69 (271)	7.44 (189)	8.25 (210)	2.16 (55)	2.63 (67)
WPBA16	14/14	7.25x19.75x6.66 (184x502x169)	7.28x18.88 (185x479)	7.78x20.06 (198x510)	6.78 (172)	5.19 (132)	19.50 (495)	2.16 (55)	2.63 (67)
WPBA16S	14/14	11.75x10.75x8.91 (298x273x226)	11.19x9.88 (284x251)	11.69x11.06 (297x281)	10.69 (271)	7.44 (189)	10.50 (267)	2.16 (55)	2.63 (67)
WPBA20	14/14	11.75x13.00x8.91 (298x330x226)	11.19x12.13 (284x308)	11.69x13.31 (297x338)	10.69 (271)	7.44 (189)	12.75 (324)	2.16 (55)	2.63 (67)
WPBA25	14/14	14.00x13.00x10.03 (356x330x255)	13.13x12.13 (333x308)	13.63x13.31 (346x338)	12.63 (321)	8.56 (217)	12.75 (324)	2.16 (55)	2.63 (67)
WPBA30	14/14	14.00x15.25x10.03 (356x387x255)	13.13x14.38 (333x365)	13.63x15.56 (346x395)	12.63 (321)	8.56 (217)	15.00 (381)	2.16 (55)	2.63 (67)



Standard 4-Way Pushbutton

WPBA Hole Arrangements



PB SERIES 30.5MM PUSHBUTTON ENCLOSURES NEMA 12 OPERATOR INTERFACE



PB4



PB3BC

Industry Standards

UL 508, Types 12 & 13
CSA Certified, Types 12 & 13
NEMA/EEMAC Type 12 & 13
JIC EL-1-71

 UL File E64791

 CSA File LL66078

FEATURES-SPECIFICATIONS

Applications

Designed to hold all standard brands of pushbuttons, switches and pilot lights. Provide protection from dust, dirt, oil and water.

Construction

- Bodies and doors fabricated from 14 gauge steel
- Continuously welded seams ground smooth
- Closed cell oil resistant neoprene gasket

- External mounting plates, top and bottom of enclosure
- Captivated cover screws thread into sealed wells
- Standard "4-way" pushbuttons holes accept all brands of oil-tight push buttons, switches and pilot lights
- Enclosures 9.50" x 6.25" x 3.00" and larger have internal detachable hinges to hold cover open during wiring, yet permit quick removal
- Grounding provisions provided

Finish

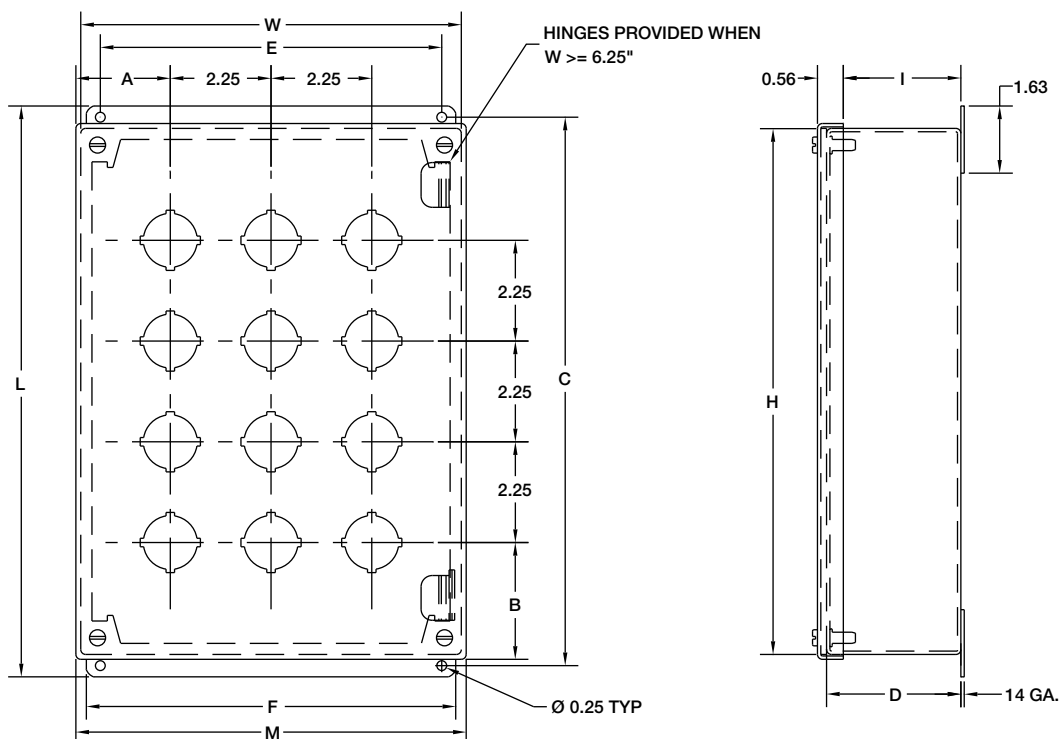
- ANSI-61 gray polyester powder inside and out over phosphatized surfaces

Accessories

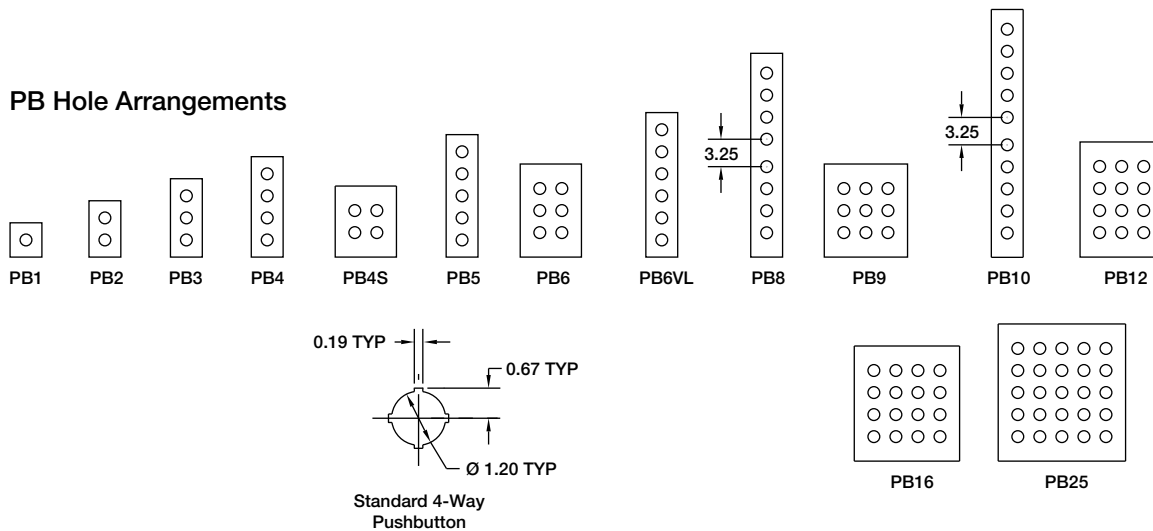
- See pages E2-E3 for stainless steel PB-SS Series
- PBBC Series, blank covers-no holes (reference tables)
- For accessories, see pages J1-J19

PB SERIES OPERATOR INTERFACE 30.5MM PUSHBUTTON ENCLOSURES

CATALOG NUMBER	BLANK COVER ENCLOSURE CATALOG NO.	BODY/DOOR STEEL GAUGE	ENCLOSURE SIZE H X W X D	MOUNTING C X E	OVERALL L X M	F	I	A	B
PB1	PB1BC	14/14	3.50x3.25x2.81 (89x83x71)	4.00x2.38 (102x60)	4.50x3.56 (114x90)	3.00 (76)	2.41 (61)	1.78 (45)	1.88 (48)
PB2	PB2BC	14/14	5.75x3.25x2.81 (146x83x71)	6.25x2.38 (159x60)	6.75x3.56 (171x90)	3.00 (76)	2.41 (61)	1.78 (45)	1.88 (48)
PB3	PB3BC	14/14	8.00x3.25x2.81 (203x83x71)	8.50x2.38 (216x60)	9.00x3.56 (229x90)	3.00 (76)	2.41 (61)	1.78 (45)	1.88 (48)
PB4	PB4BC	14/14	10.25x3.25x2.81 (260x83x71)	10.75x2.38 (273x60)	11.25x3.56 (286x90)	3.00 (76)	2.41 (61)	1.78 (45)	1.88 (48)
PB4S	PB4SBC	14/14	7.25x6.25x3.09 (184x159x79)	7.75x5.38 (197x137)	8.25x6.56 (210x167)	6.00 (152)	2.69 (68)	2.16 (55)	2.63 (67)
PB5	PB5BC	14/14	12.50x3.25x2.81 (318x83x71)	13.00x2.38 (330x60)	13.50x3.56 (343x90)	3.00 (76)	2.41 (61)	1.78 (45)	1.88 (48)
PB6	PB6BC	14/14	9.50x6.25x3.09 (241x159x79)	10.00x5.38 (254x137)	10.50x6.56 (267x167)	6.00 (152)	2.69 (68)	2.16 (55)	2.63 (67)
PB6VL	PB6VLBC	14/14	14.75x3.25x2.81 (375x83x71)	15.25x2.38 (387x60)	15.75x3.56 (400x90)	3.00 (76)	2.41 (61)	1.78 (45)	1.88 (48)
PB8	PB8BC	14/14	20.25x3.25x2.81 (514x83x71)	20.75x2.38 (527x60)	21.25x3.56 (540x90)	3.00 (76)	2.41 (61)	1.78 (45)	1.88 (48)
PB9	PB9BC	14/14	9.50x8.50x3.09 (241x216x79)	10.00x7.63 (254x194)	10.50x8.81 (267x224)	8.25 (210)	2.69 (68)	2.16 (55)	2.63 (67)
PB10	PB10BC	14/14	24.75x3.25x2.81 (629x83x71)	25.25x2.38 (641x60)	25.75x3.56 (654x90)	3.00 (76)	2.41 (61)	1.78 (45)	1.88 (48)
PB12	PB12BC	14/14	11.75x8.50x3.09 (298x216x79)	12.25x7.63 (311x194)	12.75x8.81 (324x224)	8.25 (210)	2.69 (68)	2.16 (55)	2.63 (67)
PB16	PB16BC	14/14	11.75x10.75x3.09 (298x273x79)	12.25x9.88 (311x251)	12.75x11.06 (324x281)	10.50 (267)	2.69 (68)	2.16 (55)	2.63 (67)
PB25	PB25BC	14/14	14.00x13.00x3.09 (356x330x79)	14.50x12.13 (368x308)	15.00x13.31 (381x338)	12.75 (324)	2.69 (68)	2.16 (55)	2.63 (67)



PB Hole Arrangements



**PBGX SERIES 22.5MM PUSHBUTTON ENCLOSURES
NEMA 12 OPERATOR INTERFACE**



PBGX6

Industry Standards

UL 508, Types 12 & 13
CSA Certified, Types 12 & 13
NEMA/EEMAC Type 12 & 13
JIC EL-1-71

 UL Files E64791

 CSA File LL66078

FEATURES-SPECIFICATIONS

Applications

Designed to hold all standard brands of miniature oil-tight pushbuttons, switches, and pilot lights. Provide protection from dust, dirt, oil and water.

Construction

- Fabricated from 14 gauge steel
- Continuously welded seams ground smooth
- Closed cell oil resistant neoprene gasket
- External mounting plates, top and bottom of enclosure

- Captivated cover screws thread into sealed wells
- Standard “4-way” miniature push-button holes accept all standard brands of miniature push buttons, switches and pilot lights
- Enclosures 8.50" x 5.00" x 4.25" and larger have internal detachable hinges to hold cover open during wiring yet permit quick removal
- Grounding provisions provided

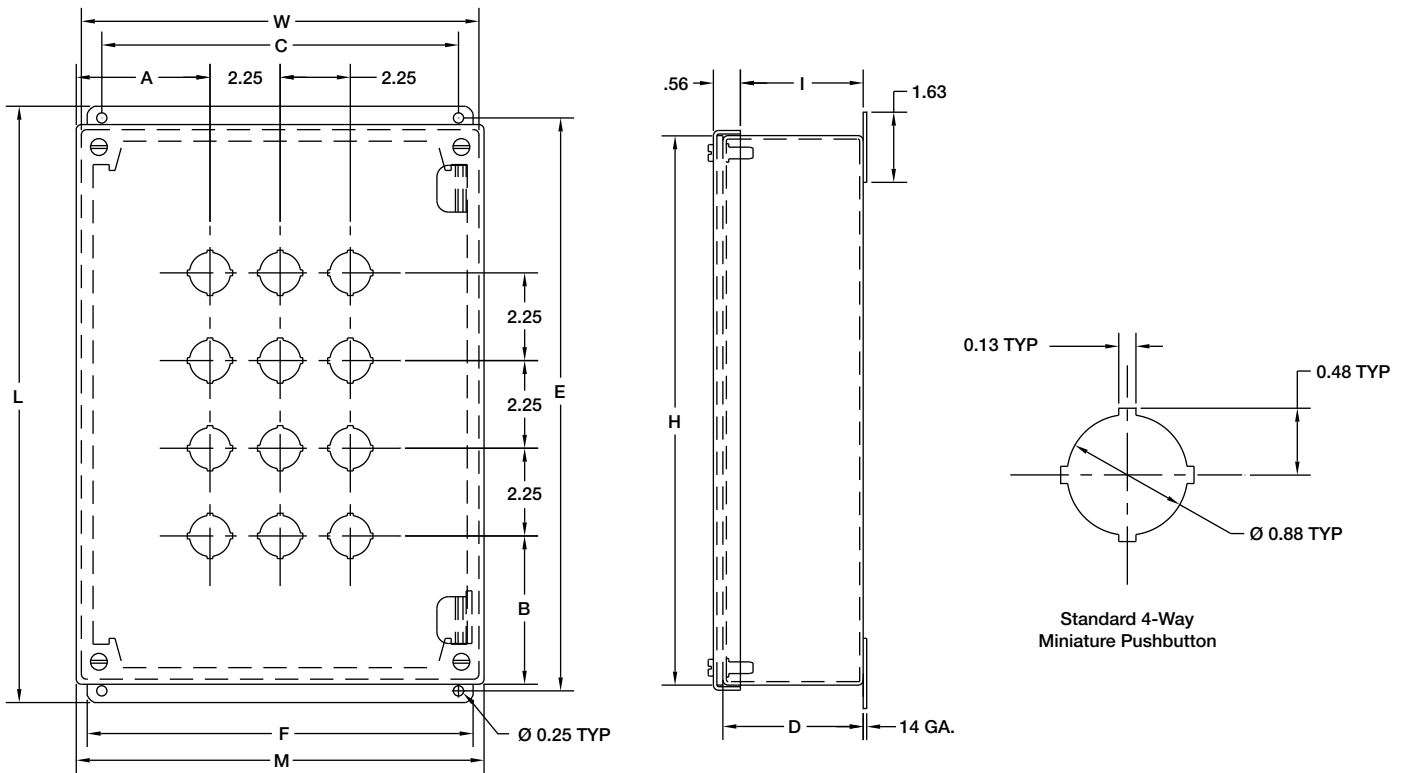
Finish

- ANSI-61 gray polyester powder inside and out over phosphatized surfaces

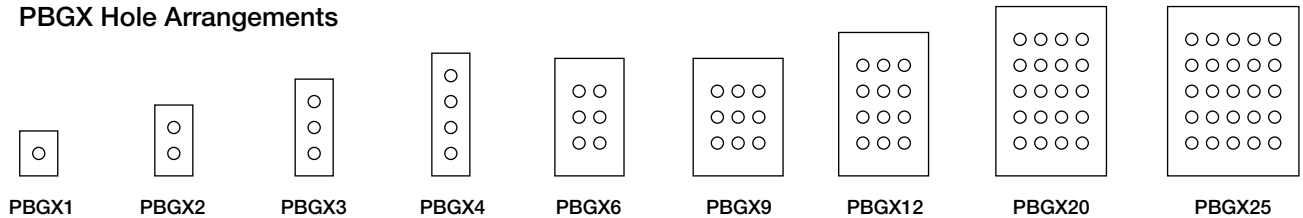
Accessories

- See pages J1-J19

PBGX SERIES OPERATOR INTERFACE 22.5MM PUSHBUTTON ENCLOSURES								
CATALOG NUMBER	BODY/DOOR STEEL GAUGE	ENCLOSURE SIZE H X W X D	MOUNTING C X E	OVERALL L X M	F	I	A	B
PBGX1	14/14	3.25x2.75x3.50 (83x70x89)	1.88x3.75 (48x95)	4.25x3.06 (108x78)	2.50 (64)	3.09 (79)	1.53 (39)	1.78 (45)
PBGX2	14/14	5.13x2.75x3.50 (130x70x89)	1.88x5.63 (48x143)	6.13x3.06 (156x78)	2.50 (64)	3.09 (79)	1.53 (39)	1.78 (45)
PBGX3	14/14	7.00x2.75x3.50 (178x70x89)	1.88x7.50 (48x191)	8.00x3.06 (203x78)	2.50 (64)	3.09 (79)	1.53 (39)	1.78 (45)
PBGX4	14/14	8.88x2.75x3.50 (225x70x89)	1.88x9.38 (48x238)	9.88x3.06 (251x78)	2.50 (64)	3.09 (79)	1.53 (39)	1.78 (45)
PBGX6	14/14	8.50x5.00x4.25 (216x127x108)	4.13x9.00 (105x229)	9.50x5.31 (241x135)	4.75 (121)	3.84 (98)	1.91 (48)	2.53 (64)
PBGX9	14/14	8.50x6.50x4.25 (216x165x108)	5.63x9.00 (143x229)	9.50x6.81 (241x173)	6.25 (159)	3.84 (98)	1.91 (48)	2.53 (64)
PBGX12	14/14	10.38x6.50x4.25 (264x165x108)	5.63x10.88 (143x276)	11.38x6.81 (289x173)	6.25 (159)	3.84 (98)	1.91 (48)	2.53 (64)
PBGX20	14/14	12.25x8.00x4.25 (311x203x108)	7.13x12.75 (181x324)	13.25x8.31 (337x211)	7.75 (197)	3.84 (98)	1.91 (48)	2.53 (64)
PBGX25	14/14	12.25x9.50x4.25 (311x241x108)	8.63x12.75 (219x324)	13.25x9.81 (337x249)	9.25 (235)	3.84 (98)	1.91 (48)	2.53 (64)



PBGX Hole Arrangements



**PBXD SERIES 30.5MM PUSHBUTTON ENCLOSURES
NEMA 12 OPERATOR INTERFACE**



PBXD6

Industry Standards

UL 508, Types 12 & 13
CSA Certified, Types 12 & 13
NEMA/EEMAC Type 12 & 13
JIC EL-1-71

 UL File E64791

 CSA File LL66078

FEATURES-SPECIFICATIONS

Applications

Designed to hold 30.5mm oil-tight pushbuttons, switches, and pilot lights. Provide protection against dirt, dust, oil, and water. Extra deep design accommodates additional contact blocks for pushbuttons.

Construction

- Bodies and doors fabricated from 14 gauge steel
- Continuously welded seams ground smooth

- Closed cell oil resistant neoprene gasket
- External mounting plates, top and bottom of enclosure
- Captivated cover screws thread into sealed wells
- Standard "4-way" pushbuttons holes accept all brands of oil-tight push buttons, switches and pilot lights
- Enclosures 6.00" x 4.00" x 4.75" and larger have internal detachable

hinges to hold cover open during wiring, yet permit quick removal

- Grounding provisions provided

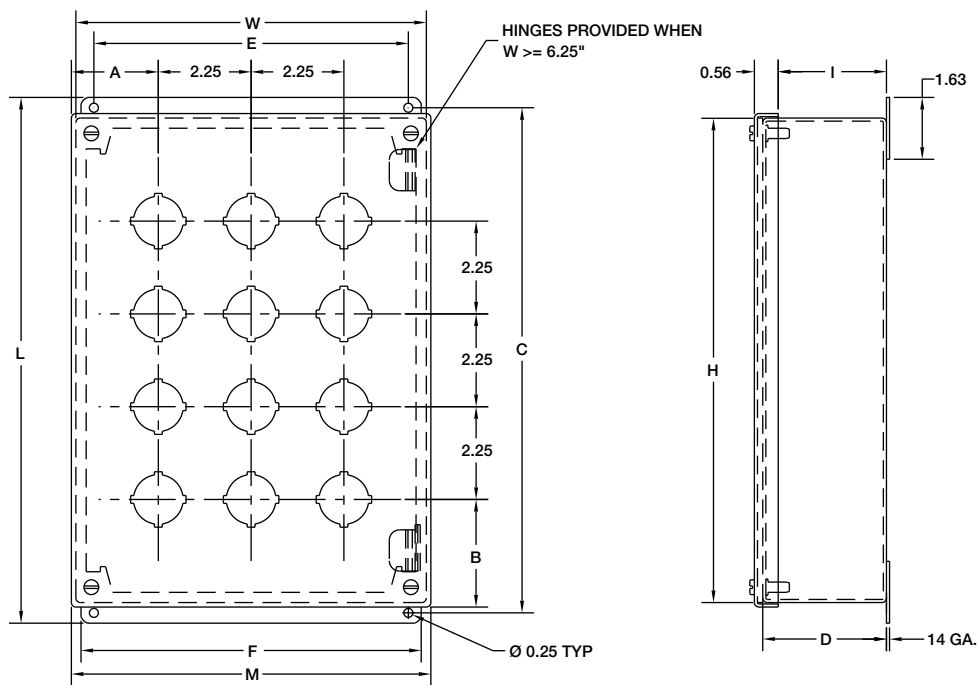
Finish

- ANSI-61 gray polyester powder inside and out over phosphatized surfaces

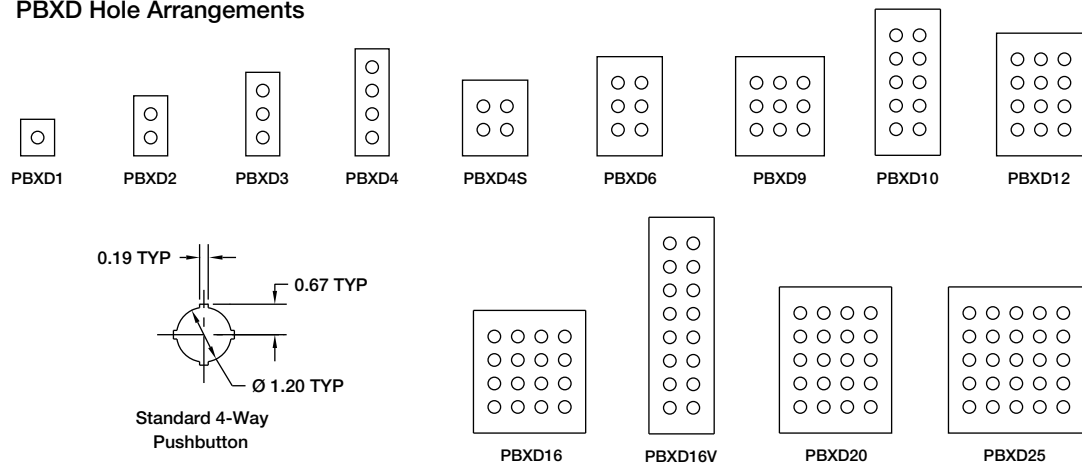
Accessories

- See pages E4-E5 for PBXD Series in stainless steel
- For accessories, see pages J1-J19

PBXD SERIES OPERATOR INTERFACE 30.5MM PUSHBUTTON ENCLOSURES								
CATALOG NUMBER	BODY/DOOR STEEL GAUGE	ENCLOSURE SIZE H X W X D	MOUNTING E X C	OVERALL L X M	F	I	A	B
PBXD1	14/14	4.00x4.00x4.81 (102x102x122)	3.13x4.50 (79x114)	5.00x4.31 (127x110)	3.75 (95)	4.41 (112)	2.19 (56)	2.16 (55)
PBXD2	14/14	6.00x4.00x4.81 (152x102x122)	3.13x6.50 (79x165)	7.00x4.31 (178x110)	3.75 (95)	4.41 (112)	2.19 (56)	2.03 (52)
PBXD3	14/14	8.00x4.00x4.81 (203x102x122)	3.13x8.50 (79x216)	9.00x4.31 (229x110)	3.75 (95)	4.41 (112)	2.19 (56)	1.88 (50)
PBXD4	14/14	10.00x4.00x4.81 (254x102x122)	3.13x10.50 (79x267)	11.00x4.31 (279x110)	3.75 (95)	4.41 (112)	2.19 (56)	1.78 (45)
PBXD4S	14/14	7.25x6.25x4.81 (184x159x122)	5.38x7.75 (137x197)	8.25x6.56 (210x167)	6.00 (152)	4.41 (112)	2.19 (56)	1.66 (42)
PBXD6	14/14	9.50x6.25x4.81 (241x159x122)	5.38x10.00 (137x254)	10.50x6.56 (267x167)	6.00 (152)	4.41 (112)	2.19 (56)	2.66 (67)
PBXD9	14/14	9.50x8.50x4.81 (241x216x122)	7.63x10.00 (194x254)	10.50x8.81 (267x224)	8.25 (210)	4.41 (112)	2.19 (56)	2.66 (67)
PBXD10	14/14	14.00x6.25x4.81 (356x159x122)	5.38x14.50 (137x368)	15.00x6.56 (381x167)	6.00 (152)	4.41 (112)	2.19 (56)	2.66 (67)
PBXD12	14/14	11.75x8.50x4.81 (298x216x122)	7.63x12.25 (194x311)	12.75x8.81 (324x224)	8.25 (210)	4.41 (112)	2.19 (56)	2.66 (67)
PBXD16	14/14	11.75x10.75x4.81 (298x273x122)	9.88x12.25 (251x311)	12.75x11.06 (324x281)	10.50 (267)	4.41 (112)	2.19 (56)	2.66 (67)
PBXD16V	14/14	20.75x6.25x4.81 (527x159x122)	5.38x21.25 (137x540)	21.75x6.56 (552x167)	6.00 (152)	4.41 (112)	2.19 (56)	2.66 (67)
PBXD20	14/14	14.00x10.75x4.81 (356x273x122)	9.88x14.50 (251x368)	15.00x11.06 (381x281)	10.50 (267)	4.41 (112)	2.19 (56)	2.66 (67)
PBXD25	14/14	14.00x13.00x4.81 (356x330x122)	12.13x14.50 (308x368)	15.00x13.31 (381x338)	12.75 (324)	4.41 (112)	2.19 (56)	2.66 (67)



PBXD Hole Arrangements



PSL SERIES 30.5MM PUSHBUTTON ENCLOSURES NEMA 12 OPERATOR INTERFACE



PSL4

Industry Standards

UL 508, Types 12 & 13
CSA Certified, Types 12 & 13
NEMA/EEMAC Type 12 & 13
JIC EL-1-71

 UL Files E64791

 CSA File LL66078

FEATURES-SPECIFICATIONS

Applications

Designed to hold all standard brands of pushbuttons, switches and pilot lights. Provides protection from dust, dirt, oil and water. This "Slimline" model is designed for conditions where enclosures must fit within very limited areas.

Construction

- Fabricated from 14 gauge steel
- Continuously welded seams ground smooth

- Closed cell oil resistant neoprene gasket
- External mounting plates, top and bottom of enclosure
- Captivated cover screws thread into sealed wells
- Standard 4-way pushbutton holes accept all brands of oil-tight push-buttons, switches and pilot lights
- Grounding provisions provided

Finish

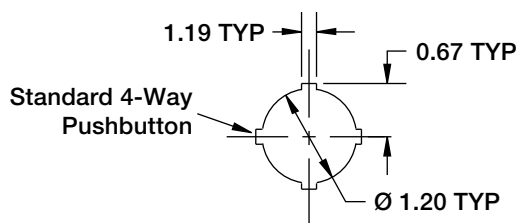
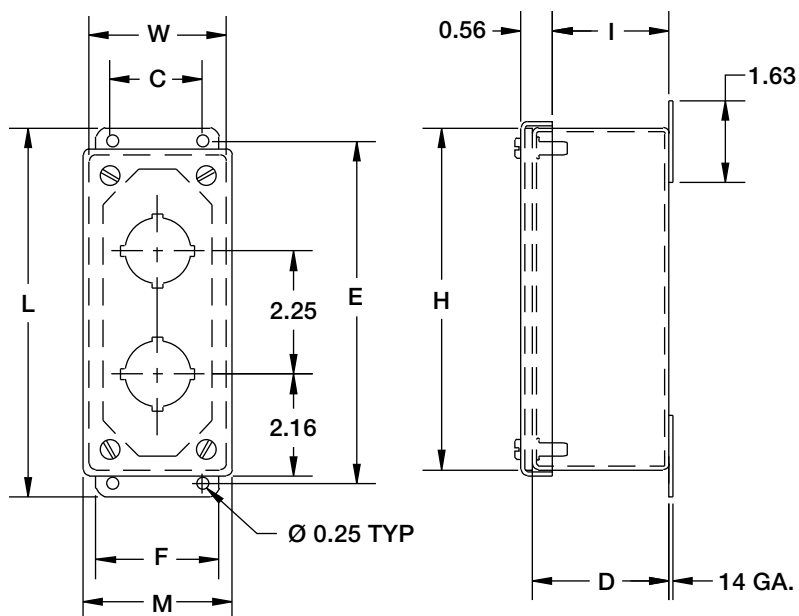
- ANSI-61 gray polyester powder inside and out over phosphatized surfaces

Accessories

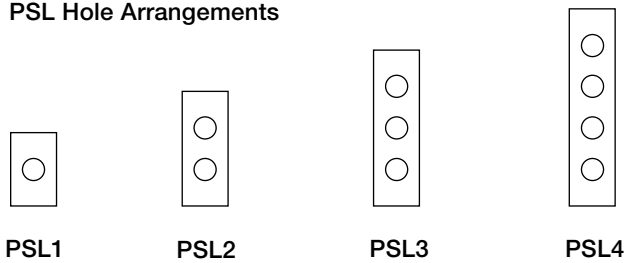
- See pages J1-J19

PSL SERIES OPERATOR INTERFACE 30.5MM PUSHBUTTON ENCLOSURES

CATALOG NUMBER	BODY/DOOR STEEL GAUGE	ENCLOSURE SIZE H X W X D	MOUNTING C X E	OVERALL L X M	F	I
PSL1	14/14	4.00x2.50x2.50 (102x64x64)	1.63x4.50 (41x114)	5.00x2.81 (127x71)	2.25 (57)	2.09 (53)
PSL2	14/14	6.25x2.50x2.50 (159x64x64)	1.63x6.75 (41x171)	7.25x2.81 (184x71)	2.25 (57)	2.09 (53)
PSL3	14/14	8.50x2.50x2.50 (216x64x64)	1.63x9.00 (41x229)	9.50x2.81 (241x71)	2.25 (57)	2.09 (53)
PSL4	14/14	10.75x2.50x2.50 (273x64x64)	1.63x11.25 (41x286)	11.75x2.81 (298x71)	2.25 (57)	2.09 (53)



PSL Hole Arrangements



PBYX SERIES 30.5MM PUSHBUTTON ENCLOSURES NEMA 12 OPERATOR INTERFACE



PBYX12

Industry Standards

UL 508, Types 12 & 13
CSA Certified, Types 12 & 13
NEMA/EEMAC Type 12 & 13
JIC EL-1-71

 UL Files E64791

 CSA File LL66078

FEATURES-SPECIFICATIONS

Applications

Designed to hold 30.5mm oil-tight pushbuttons, switches, and pilot lights with extra size to allow 2.50" between centers of pushbutton holes. Provide protection against dirt, dust, oil, and water.

Construction

- Fabricated from 14 gauge steel
- Continuously welded seams ground smooth
- Cover held in place by continuous hinge

- Back panel included with enclosure
- Closed cell oil resistant neoprene gasket
- External mounting plates, top and bottom of enclosure
- Captivated cover screws thread into sealed wells
- Standard "4-way" pushbutton holes accept all brands of oil-tight push buttons, switches and pilot lights
- Grounding provisions provided

Finish

- ANSI-61 gray polyester powder inside and out over phosphatized surfaces
- Included back panels are white polyester powder over phosphatized surfaces

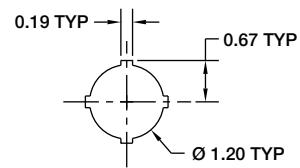
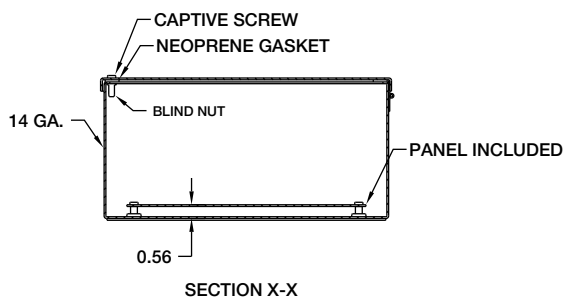
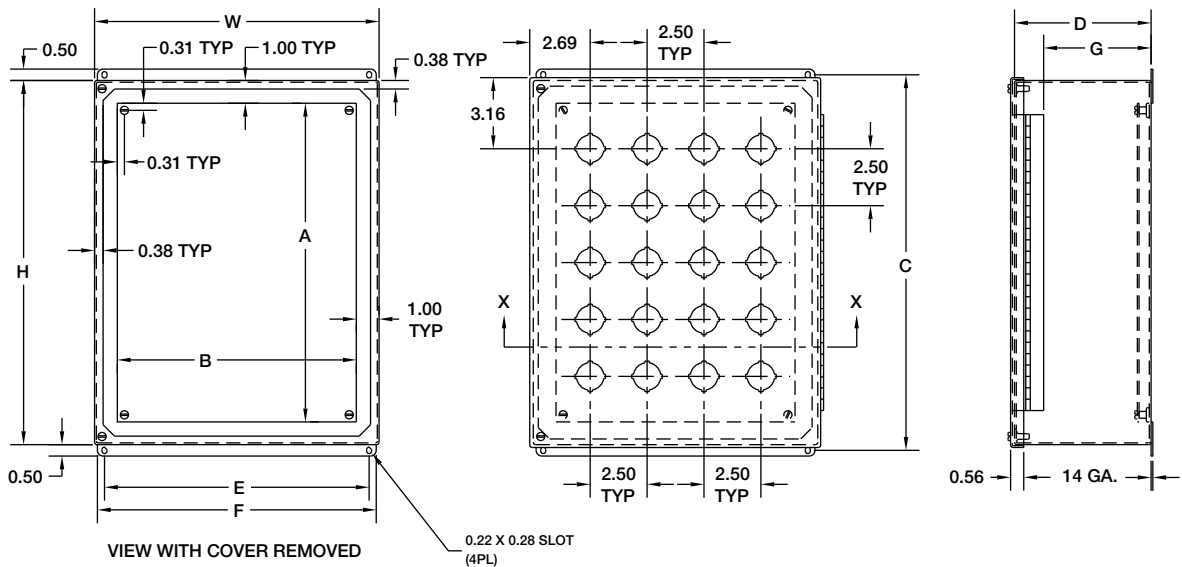
Accessories

- See pages J1-J19

PBYX SERIES OPERATOR INTERFACE 30.5MM PUSHBUTTON ENCLOSURES

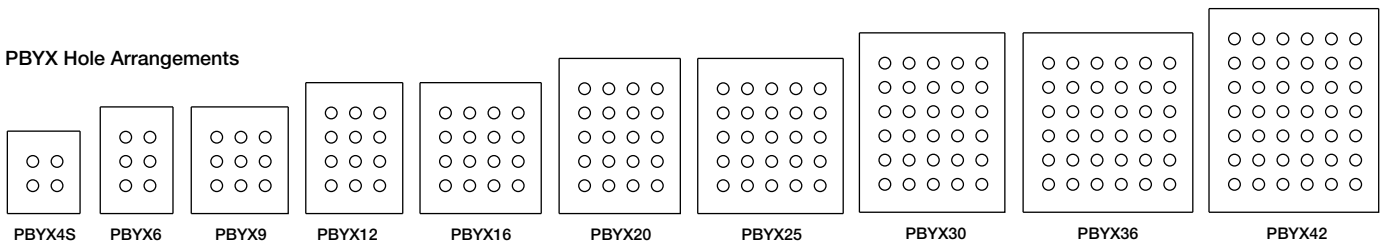
CATALOG NUMBER	BODY/DOOR STEEL GAUGE	ENCLOSURE SIZE H X W X D	MOUNTING C X E	BACK PANEL SIZE A X B	F	G
PBYX4S	14/14	8.50x7.50x6.00 (216x191x152)	9.00x6.50 (229x165)	6.50x5.50 (165x140)	7.25 (184)	4.78 (121)
PBYX6	14/14	11.00x7.50x6.00 (279x191x152)	11.50x6.50 (292x165)	9.00x5.50 (229x140)	7.25 (184)	4.78 (121)
PBYX9	14/14	11.00x10.00x6.00 (279x254x152)	11.50x9.00 (292x229)	9.00x8.00 (229x203)	9.75 (248)	4.78 (121)
PBYX12	14/14	13.50x10.00x6.00 (343x254x152)	14.00x9.00 (356x229)	11.50x8.00 (292x203)	9.75 (248)	4.78 (121)
PBYX16	14/14	13.50x12.50x6.00 (343x318x152)	14.00x11.50 (356x292)	11.50x10.50 (292x267)	12.25 (311)	4.78 (121)
PBYX20	14/14	16.00x12.50x6.00 (406x318x152)	16.50x11.50 (419x292)	14.00x10.50 (356x267)	12.25 (311)	4.78 (121)
PBYX25	14/14	16.00x15.00x6.00 (406x381x152)	16.50x14.00 (419x356)	14.00x13.00 (356x330)	14.75 (375)	4.78 (121)
PBYX30	14/14	18.50x15.00x6.00 (470x381x152)	19.00x14.00 (483x356)	16.50x13.00 (419x330)	14.75 (375)	4.78 (121)
PBYX36	14/14	18.50x17.50x6.00 (470x445x152)	19.00x16.50 (483x419)	16.50x15.50 (419x394)	17.25 (438)	4.78 (121)
PBYX42	14/14	21.00x17.50x6.00 (533x445x152)	21.50x16.50 (546x419)	19.00x15.50 (483x394)	17.25 (438)	4.78 (121)

*Back panels included with enclosure.



Standard 4-Way
Pushbutton

PBYX Hole Arrangements



NOTES

**P SERIES BACK PANELS
ACCESSORY PANELS FOR JIC ENCLOSURES**



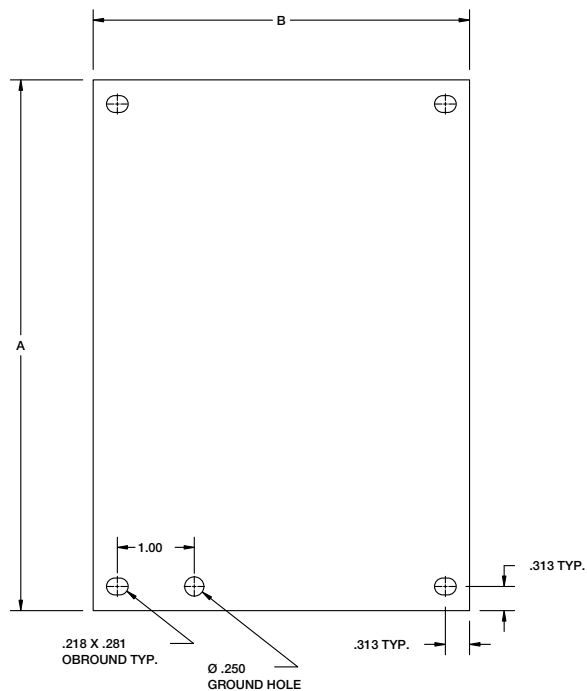
P0808

FEATURES-SPECIFICATIONS

Description

- 14 gauge (carbon and stainless)
- White polyester powder finish on steel panels
- Aluminum panels are 5052-H32 aluminum alloy, .080-inch thick
- Panels fit the following enclosures:
 - B
 - BCH
 - BN4
 - BN4CH
 - BN4SS
 - BN4CHSS
 - BN4AL
 - BN4CHAL

BACK PANELS FOR JIC ENCLOSURES			
PAINTED STEEL (WHITE)	CATALOG NUMBER		PANEL SIZE A X B
	304 STAINLESS STEEL	ALUMINUM	
P0604	P0604SS	P0604AL	4.88x2.88 (124x73)
P0606	P0606SS	P0606AL	4.88x4.88 (124x124)
P0806	P0806SS	P0806AL	6.88x4.88 (175x124)
P0808	—	—	6.88x6.88 (175x175)
P1008	P1008SS	P1008AL	8.88x6.88 (226x175)
P1010	—	—	8.88x8.88 (226x226)
P1206	—	—	10.88x4.88 (276x124)
P1210	P1210SS	P1210AL	10.88x8.88 (276x226)
P1212	P1212SS	—	10.88x10.88 (276x276)
P1408	—	—	12.88x6.88 (327x175)
P1412	P1412SS	P1412AL	12.88x10.88 (327x276)
P1610	—	—	14.88x8.88 (378x226)
P1614	P1614SS	P1614AL	14.88x12.88 (378x327)



**NP SERIES BACK PANELS
ACCESSORY PANELS FOR NEMA 1, 3R, 12, 4 & 4X WALL-MOUNTS**

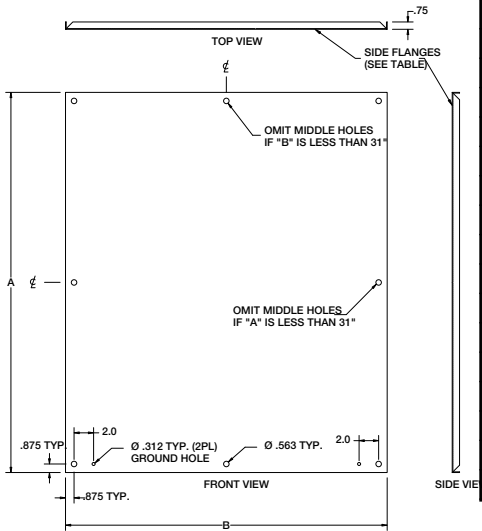


NP1212

FEATURES-SPECIFICATIONS

Description

- Steel and stainless panels are 12 gauge
- Aluminum panels are 5052-H32 aluminum alloy, .080-inch thick
- Panel with any side over 17.00" has 3/4" flange on all sides
- Steel panels are painted white polyester powder
- Panels fit the following enclosures:
 - NEMA 1, Large (NIC)
 - NEMA 3R, Hinge Cover (RHC, Large)
 - NEMA 4, 412, & 4X Single Door (N12, N4, N412, SSN4)
 - NEMA 12 2-Door Wall-Mount, (WAWF), Single Door Right Flange Disconnect (SDN12, ABN12) Large JIC (B-CH, Large) Single door N12



BACK PANELS FOR NEMA 1, 3R, 12, 4 & 4X WALL-MOUNT ENCLOSURES			
PAINTED STEEL (WHITE)	CATALOG NUMBER		PANEL SIZE A X B
	316 STAINLESS STEEL	ALUMINUM	
NP1212	—	—	9.00X9.00 (229X229)
NP1224	—	—	9.00X21.00 (229X533)
NP1612	NP1612SSA	ALNP1612	13.00X9.00 (330X229)
NP1616	NP1616SSA	ALNP1616	13.00X13.00 (330X330)
NP1620	—	—	17.00X13.00 (432X330)
NP2012	—	—	17.00X9.00 (432X229)
NP2016	NP2016SSA	ALNP2016	17.00X13.00 (432X330)
NP2024	—	—	21.00X17.00 (533X432)
NP2020	NP2020SSA	ALNP2020	17.00X17.00 (432X432)
NP2412	—	—	21.00X9.00 (533X229)
NP2416	NP2416SSA	—	21.00X13.00 (533X330)
NP2420	NP2420SSA	ALNP2420	21.00X17.00 (533X432)
NP2424	NP2424SSA	ALNP2424	21.00X21.00 (533X533)
NP2430	—	—	27.00X21.00 (686X533)
NP3016	—	—	27.00X13.00 (686X330)
NP3020	NP3020SSA	—	27.00X17.00 (686X432)
NP3024	NP3024SSA	ALNP3024	27.00X21.00 (686X533)
NP3030	NP3030SSA	—	27.00X27.00 (686X686)
NP3036	—	—	33.00X27.00 (838X686)
NP3042	—	—	39.00X27.00 (991X686)
NP3624	NP3624SSA	ALNP3624	33.00X21.00 (838X533)
NP3630	NP3630SSA	ALNP3630	33.00X27.00 (838X686)
NP3636	NP3636SSA	—	33.00X33.00 (838X838)
NP3642	—	—	39.00X33.00 (991X838)
NP4024	—	—	37.00X21.00 (940X533)
NP4224	—	—	39.00X21.00 (991X533)
NP4230	NP4230SSA	—	39.00X27.00 (991X686)
NP4236	NP4236SSA	—	39.00X33.00 (991X838)
NP4824	—	—	45.00X21.00 (1143X533)
NP4830	—	—	45.00X27.00 (1143X686)
NP4836	NP4836SSA	ALNP4836	45.00X33.00 (1143X838)
NP6030	—	—	57.00X27.00 (1448X686)
NP6036	NP6036SSA	ALNP6036	57.00X33.00 (1448X838)
NP7230	—	—	69.00X27.00 (1753X686)
NP7236	—	—	69.00X33.00 (1753X838)

**N1P SERIES BACK PANELS
ACCESSORY PANELS FOR LARGE NIC & RHC ENCLOSURES**



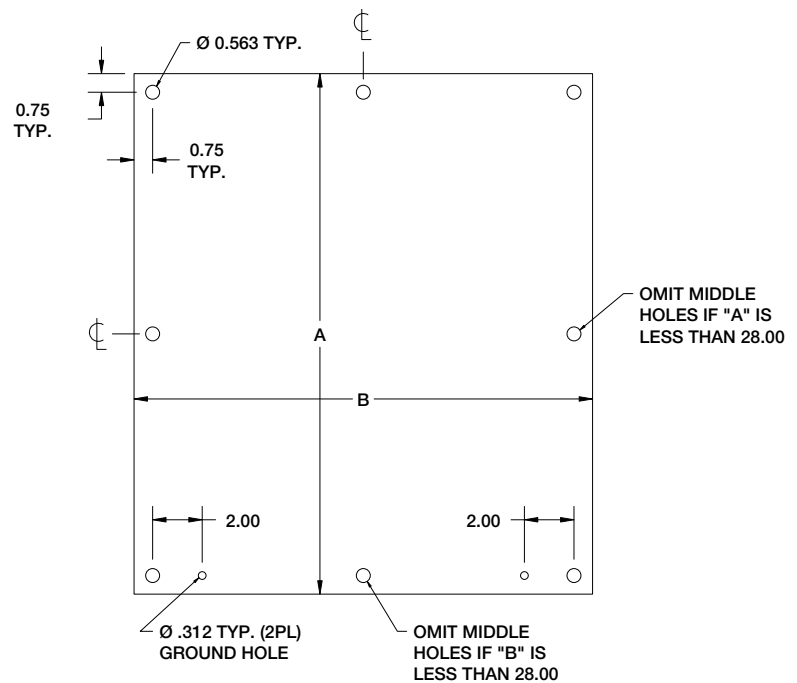
N1P1216L

FEATURES-SPECIFICATIONS

Description

- 12 gauge
- White polyester powder
- Panels fit the following enclosures:
 - NEMA 1
 - Medium (NIC)

BACK PANELS FOR LARGE NIC & RHC ENCLOSURES	
CATALOG NUMBER	PANEL SIZE A X B
N1P1216L	13.00x10.50 (330x267)
N1P1616	13.00x14.50 (330x368)
N1P1620	17.00x14.50 (432x368)
N1P2016	13.00x18.50 (330x470)
N1P2020	17.00x18.50 (432x470)
N1P1624	21.00x14.50 (533x368)
N1P2024	21.00x18.50 (533x470)
N1P2424	21.00x22.50 (533x572)
N1P2030	26.00x18.50 (660x470)
N1P2436	32.00x22.50 (813x572)
N1P3036	32.00x28.50 (813x724)
N1P2420	17.00x22.50 (432x572)
N1P2430	26.00x22.50 (660x572)
N1P3030	26.00x28.50 (660x724)
N1P3036	32.00x28.50 (813x724)



**NPDD SERIES BACK PANELS
ACCESSORY PANELS FOR DOUBLE DOOR FLOOR-MOUNT ENCLOSURES**



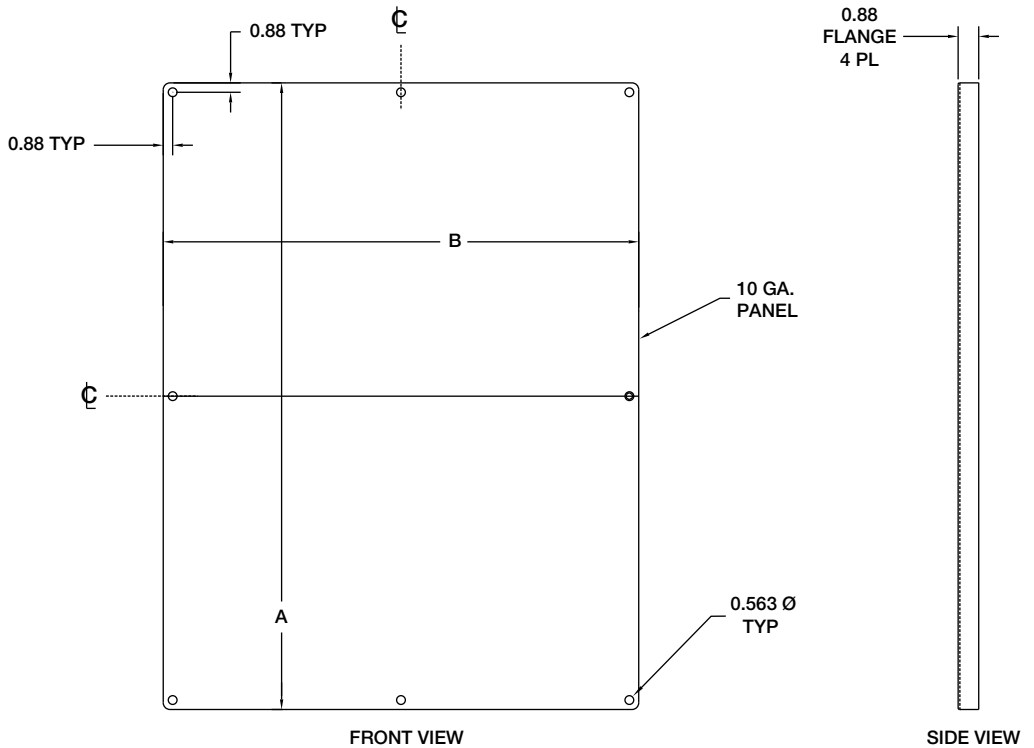
NPDD4242

FEATURES-SPECIFICATIONS

Description

- Steel panels are fabricated from 10 gauge carbon steel
- Panels are painted with a white polyester powder
- Panels are used in NEMA 12 double door floor-mounted enclosures and some 2-door wall-mount enclosures

BACK PANELS FOR DOUBLE DOOR FLOOR-MOUNTED ENCLOSURES	
CATALOG NUMBER PAINTED STEEL (WHITE)	PANEL SIZE A X B
NPDD4242	39.00x39.00 (991x991)
NPDD4260	38.00x56.00 (965x1422)
NPDD4842	45.00x39.00 (1143x991)
NPDD4848	44.00x44.00 (1118x1118)
NPDD5442	50.00x38.00 (1270x965)
NPDD6048	44.00x56.00 (1118x1422)
NPDD6060	56.00x56.00 (1422x1422)
NPDD7260	56.00x68.00 (1422x1727)
NPDD7272	68.00x68.00 (1727x1727)



FEATURES-SPECIFICATIONS

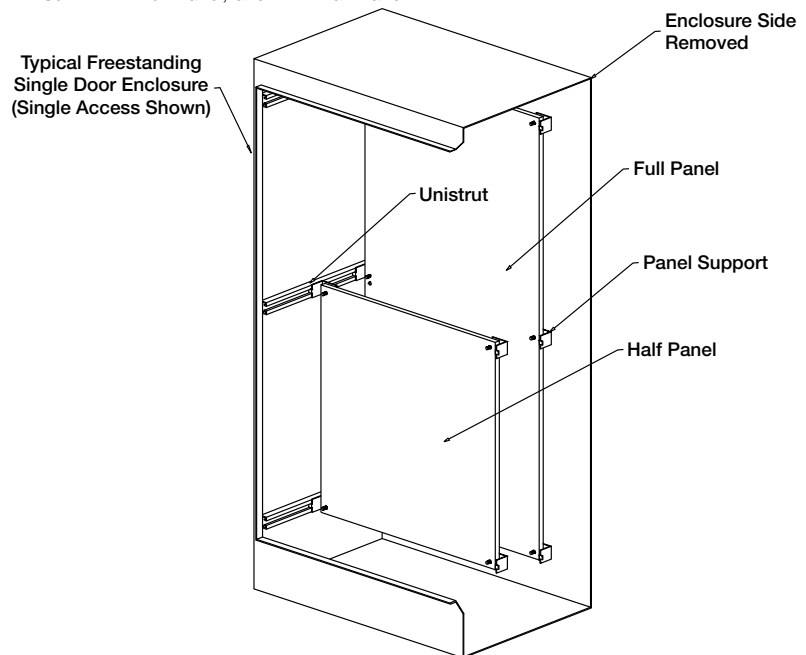
Description

Panels for single-door single-access and single-door dual-access, freestanding NEMA 12, freestanding NEMA 4 and freestanding stainless steel enclosures.

- Panels are 10 or 12 gauge steel and can be positioned anywhere along horizontal depth-wise mounting channels
- Half-length panels can be located in the upper or lower portion of the enclosure
- Mounting hardware is furnished with each panel
- Panels are painted with a white polyester powder
- Panels may be used in two-door enclosures along with other free-standing accessories

BACK PANELS FOR SINGLE DOOR FREESTANDING ENCLOSURES			
CATALOG NUMBER	STEEL GAUGE	PANEL SIZE A X B	PANEL TYPE
WA60P24F1	12	48.00x20.00 (1219x508)	Full
WA60P24F2	12	24.88x20.00 (632x508)	Half
WA72P24F1	12	60.00x20.00 (1524x508)	Full
WA72P24F2	12	30.88x20.00 (784x508)	Half
WA90P24F1	12	78.00x20.00 (1981x508)	Full
WA90P24F2	12	39.88x20.00 (1013x508)	Half
WA72P30F1	12	60.00x26.00 (1524x660)	Full
WA72P30F2	12	30.88x26.00 (784x660)	Half
WA60P36F1	12	48.00x32.00 (1219x813)	Full
WA60P36F2	12	24.88x32.00 (632x813)	Half
WA72P36F1	12	60.00x32.00 (1524x813)	Full
WA72P36F2	12	30.88x32.00 (784x813)	Half
WA90P36F1	12	78.00x32.00 (1981x813)	Full
WA90P36F2	12	39.88x32.00 (1013x813)	Half

NOTE: If used in a Two Door Enclosure, a center panel support must be ordered.
 NOTE: Suffix F1 = Full Panel, and F2 = Half Panel.



FEATURES-SPECIFICATIONS

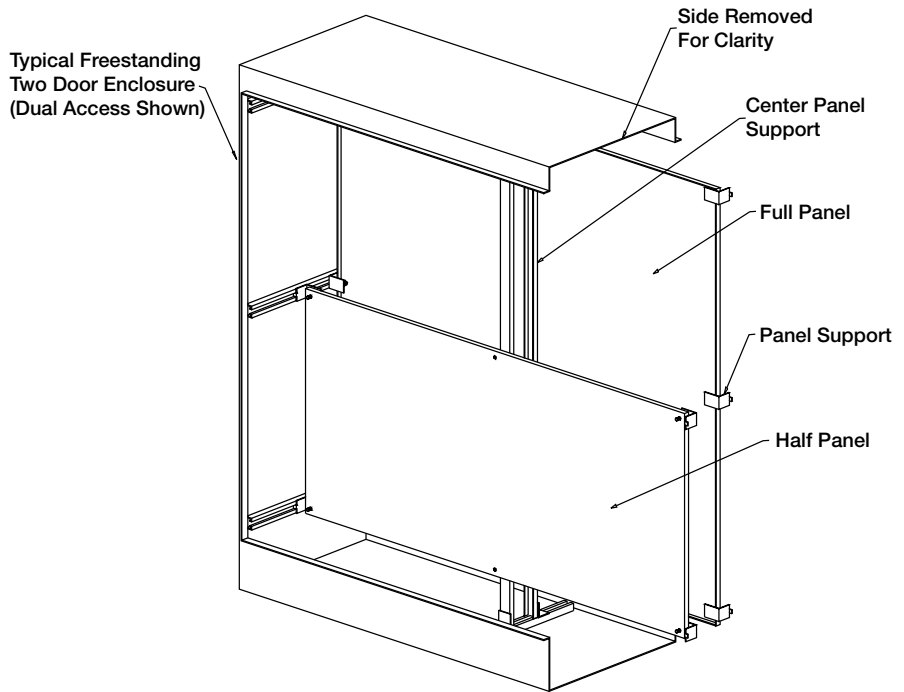
Description

Panels for two-door single-access and two-door dual-access Free-standing NEMA 12 enclosures.

- Panels are 10 gauge steel and can be positioned anywhere along horizontal depth-wise mounting channels
- Half-length panels can be located in the upper or lower portion of the enclosure
- Mounting hardware is furnished with each panel
- Panels are painted with a white polyester powder

BACK PANELS FOR TWO DOOR FREESTANDING ENCLOSURES			
CATALOG NUMBER	STEEL GAUGE	PANEL SIZE A X B	PANEL TYPE
WA60P48F1	10	48.00x44.00 (1219x1118)	Full
WA60P48F2	10	24.88x44.00 (632x1118)	Half
WA72P48F1	10	60.00x44.00 (1524x1118)	Full
WA72P48F2	10	30.88x44.00 (784x1118)	Half
WA72P60F1	10	60.00x56.00 (1524x1422)	Full
WA72P60F2	10	30.88x56.00 (784x1422)	Half
WA72P72F1	10	60.00x68.00 (1524x1727)	Full
WA72P72F2	10	30.88x68.00 (784x1727)	Half
WA90P48F1	10	78.00x44.00 (1981x1118)	Full
WA90P48F2	10	39.88x44.00 (1013x1118)	Half
WA90P72F1	10	78.00x68.00 (1981x1727)	Full
WA90P72F2	10	39.88x68.00 (1013x1727)	Half

NOTE: Center Panel support is supplied with a regular Two Door Enclosure Panel. This support is used only as a brace. It is not intended to be used as a support for Single Door Panels, relay racks, etc.
NOTE: Suffix F1 = Full Panel, and F2 = Half Panel.



FEATURES-SPECIFICATIONS

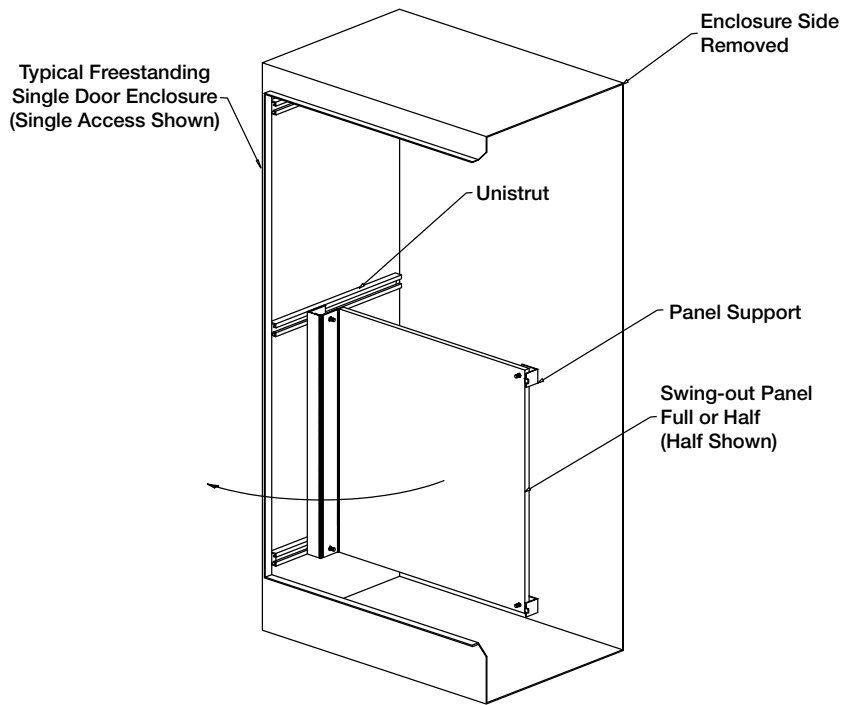
Description

Panels for Free Standing NEMA 12 Enclosures and Free Standing NEMA 4 Enclosures.

- Full-length and half-length swing-out panels are available
- Half-length panels can be located in the upper or lower portion of the enclosures
- Mounting can be on either side of the enclosure
- Mounting hardware is furnished with each panel
- Panels are fabricated from 12 gauge steel
- Panels may be used in two-door enclosures along with other free-standing accessories
- Panels are painted with a white polyester powder

SWING-OUT PANELS FOR FREESTANDING ENCLOSURES			
CATALOG NUMBER	STEEL GAUGE	PANEL SIZE A X B	PANEL TYPE
WA60SP24F3	12	48.00x19.00 (1219x483)	Full
WA60SP24F4	12	24.88x19.00 (632x483)	Half
WA72SP24F3	12	60.00x19.00 (1524x483)	Full
WA72SP24F4	12	30.88x19.00 (784x483)	Half
WA72SP30F3	12	60.00x25.00 (1524x635)	Full
WA72SP30F4	12	30.88x25.00 (784x635)	Half
WA60SP36F3	12	48.00x31.00 (1219x787)	Full
WA60SP36F4	12	24.88x31.00 (632x787)	Half
WA72SP36F3	12	60.00x31.00 (1524x787)	Full
WA72SP36F4	12	30.88x31.00 (784x787)	Half
WA90SP36F3	12	78.00x31.00 (1981x787)	Full
WA90SP36F4	12	39.88x31.00 (1013x787)	Half

NOTE: If used in a Two Door Enclosure, a center panel support must be ordered.
NOTE: Suffix F3 = Full Panel, and F4 = Half Panel.



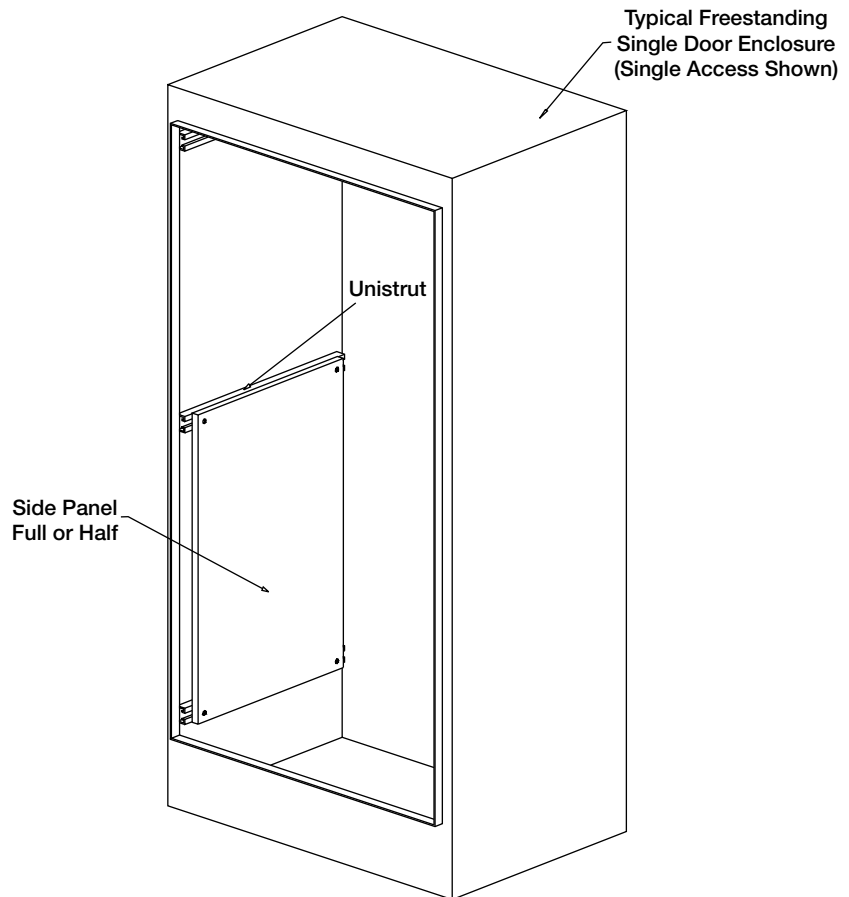
FEATURES-SPECIFICATIONS
Description

Panels for Freestanding NEMA 12 and Freestanding NEMA 4 Enclosures.

- Panels are fabricated from 12 gauge steel
- They provide extra mounting space on the sides of the enclosures
- Panels attach securely to mounting channels
- Panel mounting hardware is included
- Panels are painted with a white polyester powder

SIDE-MOUNT PANELS FOR FREESTANDING ENCLOSURES

CATALOG NUMBER	STEEL GAUGE	PANEL SIZE A X B
WA60SMP14	12	48.00x14.00 (1219x356)
WA72SMP14	12	60.00x14.00 (1524x356)
WA72SMP20	12	60.00x20.00 (1524x508)
WA90SMP14	12	78.00x14.00 (1981x356)
WA90SMP20	12	78.00x20.00 (1981x508)



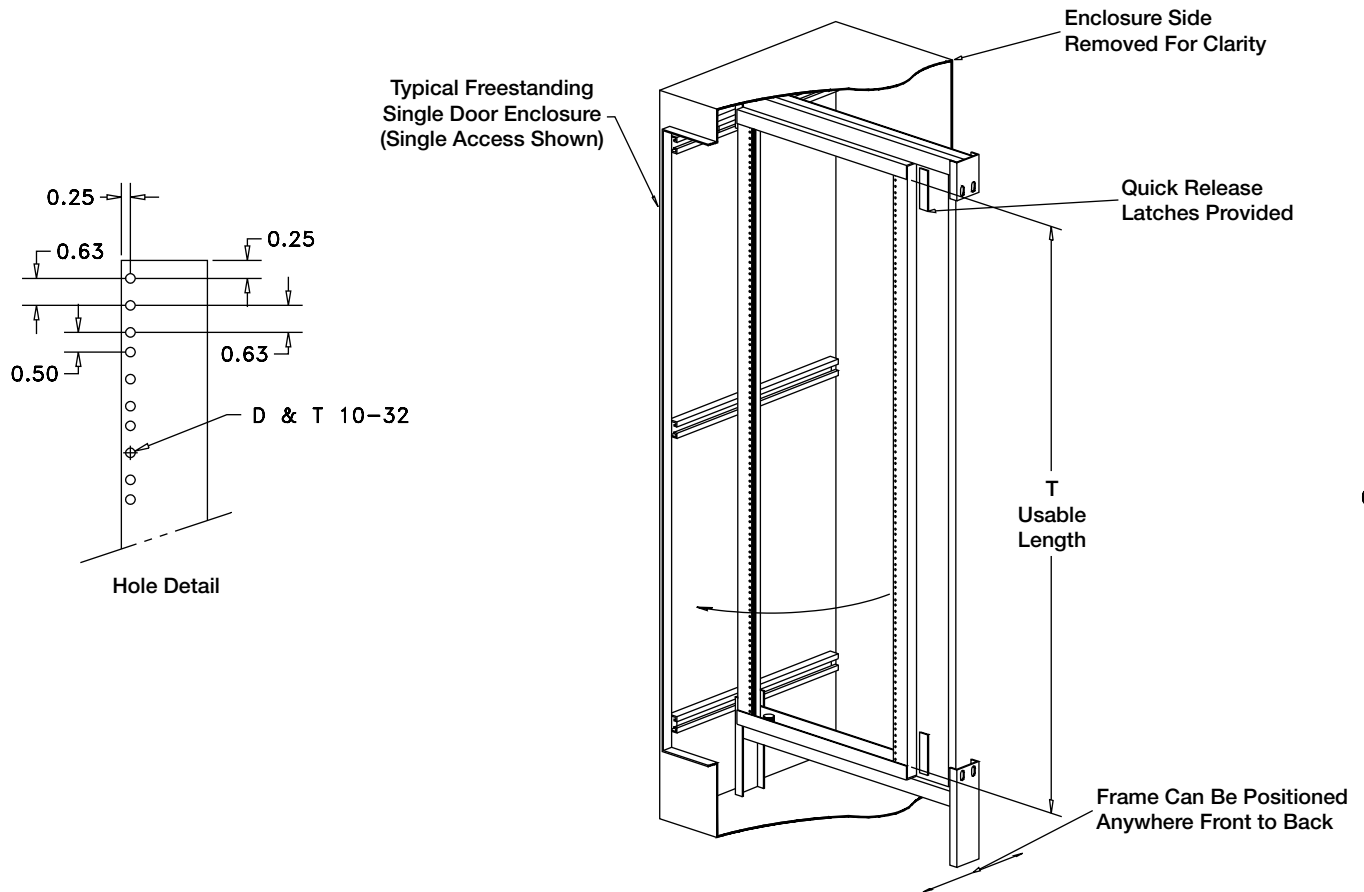
FEATURES-SPECIFICATIONS

Description

- Fabricated from 10 gauge steel, these swing-out rack mounting frames are available for mounting rack mounting equipment. Mounting holes are tapped with #10-32 threads spaced per E.I.A. standard
- Panels are painted with a white polyester powder

SWING-OUT RACKS FOR FREESTANDING ENCLOSURES			
CATALOG NUMBER	FITS ENCLOSURE H X W	RACK SIZE	USABLE ANGLE LENGTH "T"
WA7230S0F19	72.00x30.00 (1829x762)	19.00 (483)	57.88 (1470)
WA7236S0F19	72.00x36.00 (1829x914)	19.00 (483)	57.88 (1470)
WA9036S0F19	90.00x36.00 (2286x914)	19.00 (483)	75.38 (1915)

NOTE: If used in a Two Door Enclosure, a center panel support must be ordered.



FEATURES-SPECIFICATIONS

Type RP

For Free Standing NEMA 12 Enclosures

- Fabricated from 10 gauge steel
- Full-length or half-length rack mounting angles are available for mounting rack-mounted equipment
- If used in Two-Door Enclosures **a center panel support must be ordered**
- Finish is a white polyester powder

Type RA

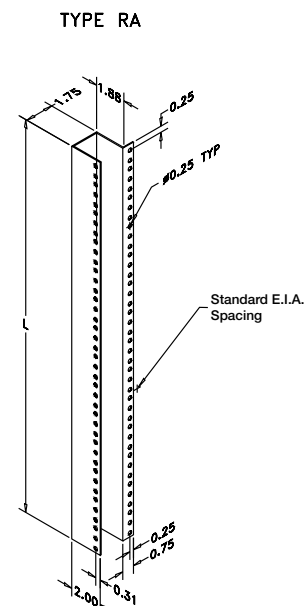
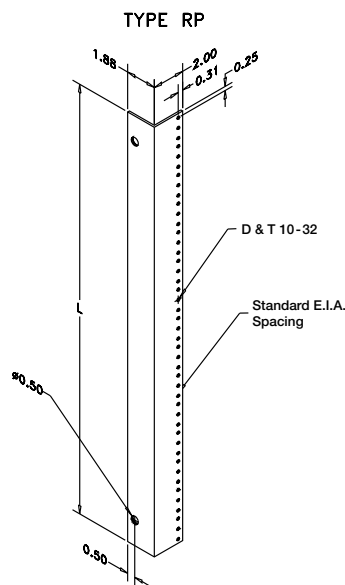
For all Free Standing NEMA 12 and NEMA 4 Enclosures

- Designed for mounting 19 inch and 24 inch rack mounted equipment
- Through holes (7/32 Dia.) are provided and require a W1032N clip nut (must be ordered separately)
- Rack angles are mounted on unistrut within the Free Standing enclosures and are adjustable
- If used in Two-Door Enclosures **a center panel support must be ordered**
- Finish is a white polyester powder

RELAY RACK ANGLES		
CATALOG NUMBER	STEEL GAUGE	LENGTH "L"
WA60RP24F5	10	49.00 (1245)
WA60RP24F6	10	26.25 (667)
WA72RP24F5	10	61.25 (1556)
WA72RP24F6	10	31.50 (800)
WA72RP30F5	10	61.25 (1556)
WA72RP30F6	10	31.50 (800)
WA90RP24F5	10	78.75 (2000)
WA90RP24F6	10	40.25 (1022)

WA-RA RELAY RACK ANGLES			
CATALOG NUMBER	FITS ENCLOSURE H X W	RACK SIZE	ANGLE LENGTH "L"
WA60RA19TH	60.00x24.00 (1524x610)	19.00 (483)	49.00 (1245)
WA72RA19TH	72.00x24.00 (1829x610)	19.00 (483)	61.25 (1556)
WA72RA24TH	72.00x30.00 (1829x762)	24.00 (610)	61.25 (1556)
WA90RA19TH	90.00x24.00 (2286x610)	19.00 (483)	78.78 (2001)

NOTE: If used in a Two Door Enclosure, a center panel support must be ordered.



NOTES



WAJCDFK



WANADFK

FEATURES-SPECIFICATIONS

SWING-OUT PANEL KITS

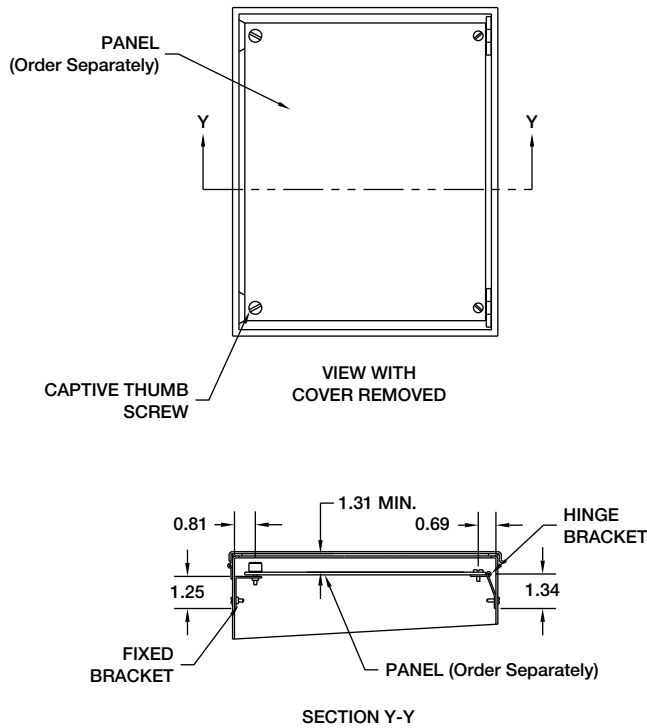
Designed to allow mounting of switches, gauges, pilot lights and other components near the front of the enclosure for easy access or meter reading.

- These kits consist of heavy gauge brackets and hinges which are easily installed by drilling small holes in the sides of the enclosure and bolting the bracket in place
- Sealing washers are also furnished to ensure that the enclosure will meet the original NEMA rating after installation
- These kits are designed for use with standard Wiegmann JIC and NEMA panels

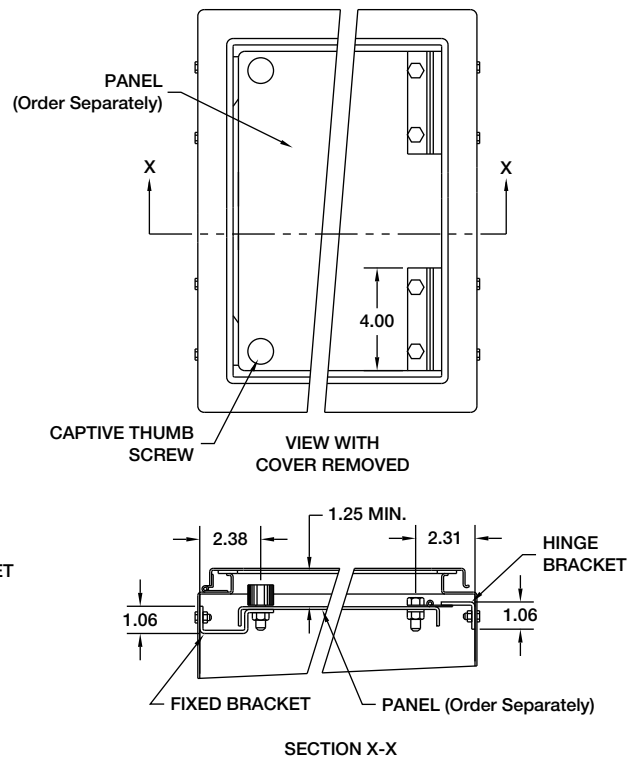
JIC & NEMA SWING OUT PANEL KITS	
CATALOG NUMBER	DESCRIPTION
WAJCDFK	JIC Kit
WANADFK	NEMA Kit

NOTE: Panels must be ordered separately.

JIC Swing-Out Panel Kit



NEMA Swing-Out Panel Kit





WAPPL0606
Print Pocket



WADSTOPK
Door Stop Kit



WACSHELF12
Folding Shelf

FEATURES-SPECIFICATIONS

PRINT POCKET

- Plastic print pockets can be placed anywhere within enclosure via 2-way adhesive tape flanges
- White in color

PRINT POCKET	
CATALOG NUMBER	DESCRIPTION
WAPPL0606	6x6
WAPPL0810	8x10

DOOR STOP KIT

- Designed for use on most standard Wiegmann Type 4 and 12 enclosures to secure the door in the open position
- Door stop can be mounted at the top or bottom of the door opening after drilling two small holes in the body of the enclosure and two small holes in the door. The angle of the door is easily adjusted and the stop arm slides neatly out of the way when the door is closed
- All parts are plated

DOOR STOP KIT	
CATALOG NUMBER	DESCRIPTION
WADSTOPK	Door stop kit

FOLDING SHELF

- Designed to be used to support and test equipment that is used to install and maintain electrical components in an enclosure
- The shelf can be installed on the inside or outside surface of the Wiegmann enclosures
- When not in use, the shelf folds down and projects only one inch
- All parts are made of heavy gauge steel
- ANSI-61 gray polyester powder paint finish

FOLDING SHELF	
CATALOG NUMBER	DESCRIPTION
WACSHELF12	12.00x12.00 (305x305)
WACSHELF18	18.00x18.00 (457x457)



Drip Shields



Hole Seals

FEATURES-SPECIFICATIONS

DRIP SHIELDS

- Designed to protect door hardware from dripping water and settling dust
- Drip shields attach easily to the enclosure with stainless steel screws, gasket and sealing washers (hardware is furnished)
- Drip shields fit all single door NEMA 12 and NEMA 4 wall mounted enclosures
- Stainless steel door clamps are furnished to replace the standard door clamps
- Steel drip shields have a ANSI 61 gray polyester powder finish over phosphatized surfaces
- Stainless steel drip shields have a grained finish
- 42", 48", 60" and 72" drip shields fit floor mounted double door enclosures. Specify when ordering for double door wall mounted enclosures

DRIP SHIELDS			
CATALOG NUMBER		GAUGE	FITS ENCLOSURE WIDTH
STEEL	STAINLESS STEEL		
DK12	SSDK12	14	12.00 (305)
DK16	SSDK16	14	16.00 (406)
DK20	SSDK20	14	20.00 (508)
DK24	SSDK24	14	24.00 (610)
DK30	SSDK30	14	30.00 (762)
DK36	SSDK36	14	36.00 (914)
DK42	—	14	42.00 (1067)
DK48	—	14	48.00 (1219)
DK60	—	14	60.00 (1524)
DK72	—	14	72.00 (1829)

HOLE SEALS

Designed to seal extra push-button holes, conduit openings, and knockout openings from dirt, dust, oil and water

Steel:

- Quick wing nut
- Oil resistant gasket
- ANSI 61 gray polyester powder

Stainless Steel:

- Quick wing nut
- Oil resistant gasket
- Grained finish

HOLE SEALS			
CATALOG NUMBER		DESCRIPTION	HOLE DIAMETER
STEEL	STAINLESS STEEL		
WASPBG	WASPBGSS	Miniature oil tight pushbutton holes	0.88 (22)
WAS050	WAS050SS	1/2-inch conduit holes	0.88 (22)
WAS075	WAS075SS	3/4-inch conduit holes	1.13 (29)
WASPB	WASPBSS	Standard oil-tight pushbutton holes	1.20 (30)
WAS100	WAS100SS	1-inch conduit holes	1.38 (35)
WAS125	WAS125SS	1 1/4-inch conduit holes	1.63 (41)
WAS150	WAS150SS	1 1/2-inch conduit holes	2.00 (51)
WAS200	WAS200SS	2-inch conduit holes	2.50 (64)
WAS250	—	2 1/2-inch conduit holes	3.00 (76)
WAS300	—	3-inch conduit holes	3.63 (92)
WAS350	—	3 1/2-inch conduit holes	4.00 (102)
WAS400	—	4-inch conduit holes	4.63 (118)



WAPWK0503NF



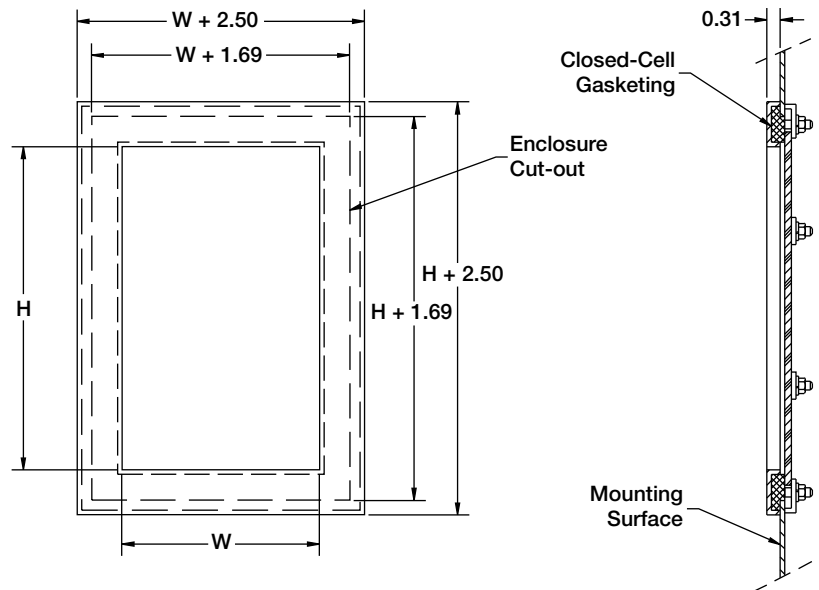
WAPWK0503SS

FEATURES-SPECIFICATIONS

WINDOW KITS

- Steel window kits are designed to be used indoors on NEMA 12 enclosures
- Stainless steel window kits are suitable for NEMA 12 and 13 enclosures in an indoor application. These kits are easily installed by making a cutout in the enclosure and attaching the window and frame in place. All necessary hardware is included
- Kits are fully gasketed to maintain an oil tight seal
- Frames are made from heavy steel with a ANSI 61 gray polyester powder finish over phosphatized surfaces. Type 304 stainless steel with a grained finish

WINDOW KITS				
CATALOG NUMBER		WINDOW H X W	FRAME SIZE	REQUIRED CUT-OUT SIZE
STEEL	STAINLESS STEEL			
WAPWK0503NF	WAPWK0503SS	5.00x3.00 (127x76)	7.50x5.50 (191x140)	6.69x4.69 (170x119)
WAPWK0905NF	WAPWK0905SS	9.00x5.50 (229x140)	11.50x8.00 (292x203)	10.69x7.19 (272x183)
WAPWK1308NF	WAPWK1308SS	13.00x8.00 (330x203)	15.50x10.50 (394x267)	14.69x9.69 (373x170)
WAPWK1705NF	—	17.00x5.50 (432x140)	19.50x8.00 (495x203)	18.69x7.19 (475x183)
WAPWK1711NF	WAPWK1711SS	17.00x11.00 (432x279)	19.50x13.50 (495x343)	18.69x12.69 (475x322)
WAPWK2315NF	WAPWK2315SS	23.00x15.00 (584x381)	25.50x17.50 (648x445)	24.69x16.69 (627x424)
WAPWK2919NF	—	29.00x19.00 (737x483)	31.50x21.50 (800x546)	30.69x20.69 (780x526)
WAPWK3523NF	—	35.00x23.00 (889x584)	37.50x25.50 (953x648)	36.69x24.69 (932x627)





Mounting Feet



WAGSE

WAVE

FEATURES-SPECIFICATIONS

MOUNTING FEET

- Mounting foot kit N412MFK contains four steel external mounting feet
- Mounting foot kit N412MFKSS contains four stainless steel external mounting feet
- Sealing washers are provided with each kit to maintain NEMA 4 or 12 rating after installation
- The N412MFK has a plated finish

MOUNTING FEET	
CATALOG NUMBER	DESCRIPTION
N412MFK	For N412 steel enclosures
N412MFKSS	For N412 stainless steel enclosures

TOUCH-UP PAINT

- Wiegmann touch-up paint is used to repair existing finishes on enclosures and panels
- Furnished in 12 oz. spray cans

TOUCH-UP PAINT	
CATALOG NUMBER	DESCRIPTION
WAGSE	ANSI 61 gray satin enamel
WAVE	White enamel



ELECTRICAL INTERLOCKS

The WAEK115 is designed to be used with standard Wiegmann door latching mechanisms. When turned on, this interlock will prevent the door handle from being turned to open the door. This interlock is designed to fit handles in the following enclosures:

- All two door NEMA 12 enclosures
- Free standing NEMA 12 enclosures
- All consoles
- All single door NEMA 12 enclosures which have 3 pt handle mechanisms
- Two door NEMA 12 enclosures for flange-mounted disconnects
- Modular NEMA 12 enclosures
- Multi-door NEMA 12 enclosures

The WAEK115NDH is designed to be used with standard Wiegmann enclosures that have no handles. This interlock requires drilling several holes in the cover and the body for mounting.

INTERLOCK DEFEATER

- This defeater is key operated and enables personnel to enter an enclosure while the enclosures internal components are energized. Turning the key disengages the circuit to the electrical interlock

INTERLOCK DEFEATER	
CATALOG NUMBER	DESCRIPTION
WAEKDF	Defeater

GROUNDING KIT

- Field Grounding Kit
- Includes necessary parts to properly ground enclosure

GROUNDING KIT	
CATALOG NUMBER	DESCRIPTION
WGNDKT	Grounding Kit

ELECTRICAL INTERLOCKS		
CATALOG NUMBER	DESCRIPTION	VOLTS/HZ
WAEK115	Electrical interlock	120/60
WAEK115NDH	Electrical interlock	120/60



WA0808JTMA

FEATURES-SPECIFICATIONS

TERMINAL KIT ASSEMBLIES, BLOCKS AND STRIPS FOR ALL SMALL JIC NEMA 12 AND JIC-NEMA 4 BOXES

- Provides a strong, versatile means for mounting terminal blocks in Wiegmann JIC boxes and other enclosures
- Easily installed bracket assembly accommodates the desired number of terminal straps or block strips
- Bracket assembly consists of two white enamel brackets which mount on weldnuts
- Terminal block strip (ordered separately) is Buchanan Type MD for wire sizes No. 22 through 10, mounted on a single terminal strap. Block strips attach where desired by spring locking nuts. Order brackets, terminal straps

and block strips by part number shown below

How To Order

- Each enclosure requires one bracket assembly plus the desired number of terminal straps. The bracket assembly and the terminal straps must be ordered separately
- To select the correct terminal strap, determine whether the terminal straps will be mounted parallel to the height

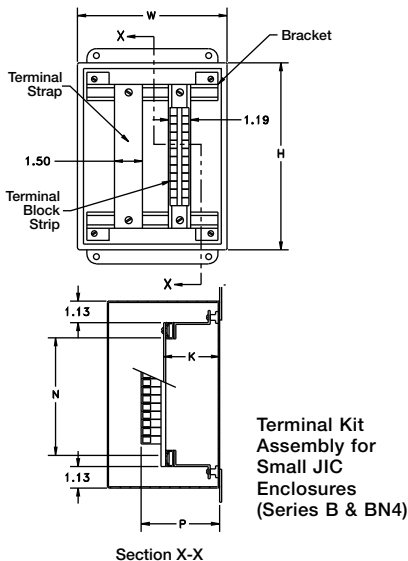
or width dimension. Specify the number of straps desired, checking usable space for enclosure ordered

- To select the correct bracket assembly, determine whether the bracket will be mounted parallel to height or width dimension of enclosure. Refer to chart and specify correct bracket by catalog number. One bracket is needed for each row of collar studs parallel to the brackets

BRACKET ASSEMBLIES FOR SMALL JIC NEMA 12 AND JIC NEMA 4 ENCLOSURES				
CATALOG NUMBER	DIMENSION PARALLEL TO BRACKETS	K	P	N
WA0806JTMA	6.00 (152)	1.56 (40)	2.75 (70)	2.63 (67)
WA0808JTMA	8.00 (203)	1.56 (40)	2.75 (70)	4.63 (118)
WA1010JTMA	10.00 (254)	2.81 (71)	4.00 (102)	6.53 (166)
WA1212JTMA	12.00 (305)	2.81 (71)	4.00 (102)	8.53 (217)
WA1614JTMA	14.00 (356)	2.81 (71)	4.00 (102)	10.53 (267)

TERMINAL BLOCK STRIP & STRAP			
CATALOG NUMBER	DIMENSION PARALLEL TO STRIP	TERMINAL BLOCKS PER STRIP #	USABLE SPACE N
WA08JB	8.00 (203)	8	4.63 (118)
WA10JB	10.00 (254)	12	6.53 (166)
WA12JB	12.00 (305)	16	8.53 (217)
WA14JB	14.00 (356)	20	10.53 (267)
WA16JB	16.00 (406)	24	12.53 (318)

TERMINAL STRAPS		
CATALOG NUMBER	ENCLOSURE DIMENSION PARALLEL TO STRAP	USABLE SPACE N
WA0806JS	8.00 (203)	4.63 (118)
WA0808JS	8.00 (203)	4.63 (118)
WA1008JS	10.00 (254)	6.63 (168)
WA1010JS	10.00 (254)	6.63 (168)
WA1210JS	12.00 (305)	8.63 (219)
WA1212JS	12.00 (305)	8.63 (219)
WA1412JS	14.00 (356)	10.63 (270)
WA1614JS	16.00 (406)	12.63 (321)



NOTE: Terminal blocks are not included. Be sure to order one bracket assembly plus the desired number of terminal straps for each enclosure.



WA16NTMA2

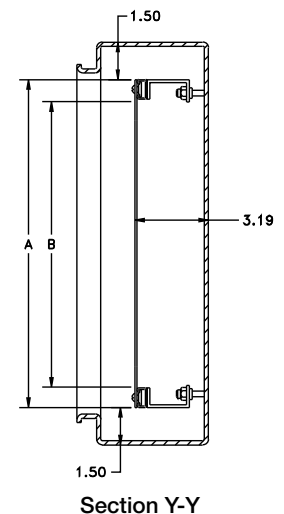
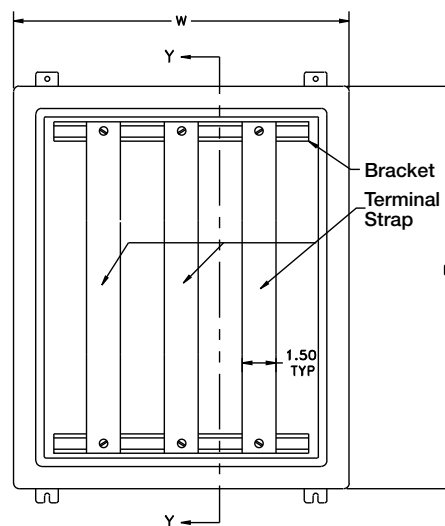
FEATURES-SPECIFICATIONS

TERMINAL KIT ASSEMBLIES AND STRAPS FOR NEMA TYPE 4, 12 AND 13 ENCLOSURES

- Provide strong, versatile and easily-installed terminal block mounting supports
- For use on extra large NEMA Type 1, 4 or 12 and large JIC enclosures
- Each bracket assembly consists of two or three brackets which mount on enclosure collar studs
- Mounting straps can be positioned anywhere along the brackets and are held in place by spring locking nuts, making wiring easy and providing for the addition of more straps at a later date
- Standard finish in white polyester powder
- Brackets may be installed parallel to height or width dimension. Each enclosure requires one bracket assembly and the desired number of terminal straps

BRACKET ASSEMBLIES FOR NEMA 4, 12, AND 13 ENCLOSURES – BRACKET ASSEMBLY			
CATALOG NUMBER	NUMBER OF BRACKETS	BRACKET LENGTH	FOR ENCLOSURE WIDTH
WA12NTMA2	2	9.00 (229)	12.00 (305)
WA16NTMA2	2	13.00 (330)	16.00 (406)
WA20NTMA2	2	17.00 (432)	20.00 (508)
WA24NTMA2	2	21.00 (533)	24.00 (610)
WA24NTMA3	3	21.00 (533)	24.00 (610)

TERMINAL STRAPS				
CATALOG NUMBER	NUMBER OF STRAPS	A	B	FOR ENCLOSURE WIDTH
WA12T	1	9.00 (229)	7.75 (197)	12.00 (305)
WA16T	1	13.00 (330)	11.75 (298)	16.00 (406)
WA20T	1	17.00 (432)	15.38 (391)	20.00 (508)
WA24T	1	21.00 (533)	19.75 (502)	24.00 (610)
WA30T	1	27.00 (686)	25.75 (654)	30.00 (762)
WA36T	1	33.00 (838)	31.75 (806)	36.00 (914)
WA42T	1	39.00 (991)	37.75 (959)	42.00 (1067)
WA48T	1	45.00 (1143)	43.75 (1111)	48.00 (1219)





FK0608



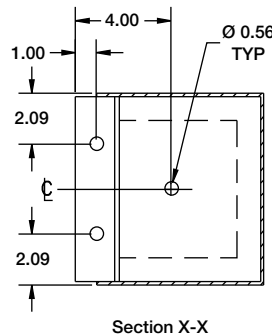
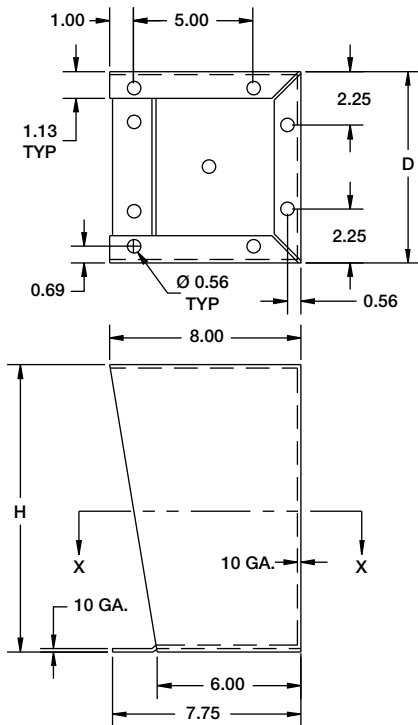
SSFK1216

FEATURES-SPECIFICATIONS

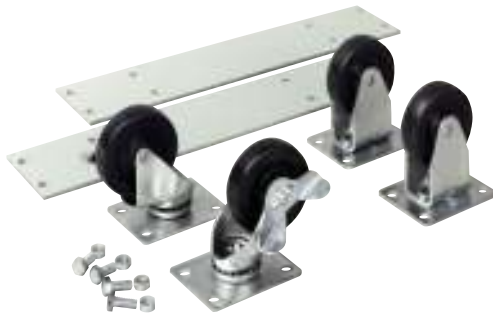
FLOOR STAND KIT

- Kits are easily installed on most wall-mounted Wiegmann enclosures. Kits can also be used to elevate Wiegmann freestanding enclosures. To install, drill holes in bottom of existing enclosure and bolt in place. Each kit includes two stands and mounting bolts and nuts
- Steel floor stand has a ANSI 61 gray polyester powder finish over phosphatized surfaces
- Stainless steel floor stand is type 304 stainless with a grained finish

CATALOG NUMBER		FLOOR STAND HEIGHT "H"	ENCLOSURE SIZE "D"
STEEL	STAINLESS STEEL		
FK0608	SSFK0608	6.00 (152)	8.00 (203)
FK0610	SSFK0610	6.00 (152)	10.00 (254)
FK0612	SSFK0612	6.00 (152)	12.00 (305)
FK0618	SSFK0618	6.00 (152)	18.00 (457)
FK0624	SSFK0624	6.00 (152)	24.00 (610)
FK1208	SSFK1208	12.00 (305)	8.00 (203)
FK1210	SSFK1210	12.00 (305)	10.00 (254)
FK1212	SSFK1212	12.00 (305)	12.00 (305)
FK1216	SSFK1216	12.00 (305)	16.00 (406)
FK1218	SSFK1218	12.00 (305)	18.00 (457)
FK1220	SSFK1220	12.00 (305)	20.00 (508)
FK1224	SSFK1224	12.00 (305)	24.00 (610)
FK1808	—	18.00 (457)	8.00 (203)
FK1810	—	18.00 (457)	10.00 (254)
FK1812	—	18.00 (457)	12.00 (305)
FK1816	—	18.00 (457)	16.00 (406)
FK2408	—	24.00 (610)	8.00 (203)
FK2410	SSFK2410	24.00 (610)	10.00 (254)
FK2412	SSFK2412	24.00 (610)	12.00 (305)



**GENERAL ENCLOSURE ACCESSORIES
CASTERS • PANEL SUPPORTS • STABILIZERS**



Casters



Panel Supports



Stabilizers

FEATURES-SPECIFICATIONS

CASTERS

- Casters can be used on any enclosure to provide mobility
- Caster kit includes two swivel casters and two stationary casters along with all necessary mounting hardware

CASTERS	
CATALOG NUMBER	DESCRIPTION
WC10C	Set of 4 casters, 2 mounting plates and hardware
WC12C	Set of 4 casters, 2 mounting plates and hardware

PANEL SUPPORTS

- Provide additional support for panels on which heavy instruments are mounted
- The panel supports are adjustable so the weight of the panel is partially supported by the bottom of the enclosure
- White polyester powder finish

PANEL SUPPORTS	
CATALOG NUMBER	DESCRIPTION
WAPS03	Two panel supports for 1-door and 2-door enclosures where distance from bottom of panel to bottom of enclosure is less than 2-1/4 inches
WAPS09	Two panel supports for free-standing or multi-door enclosures where distance from bottom of panel to bottom of enclosure is between 2-7/8 inches and 8-1/2 inches

STABILIZERS

- Designed to prevent injury to workers by stabilizing floor mounted enclosures which are not bolted down against tipping. Stabilizers slip under the floor stands and are secured by tightening bolts in washers
- ANSI 61 gray polyester finish

STABILIZERS	
CATALOG NUMBER	DESCRIPTION
WAENST	Two stabilizers



WA21ABA



WA22BAP



WARAK24

FEATURES-SPECIFICATIONS

OPERATOR ADAPTER PLATES

- Used on all Wiegmann disconnect enclosures with universal flange cutouts
- An operator adapter plate is required to install a disconnect in all Wiegmann enclosures with a universal cutout on pages F31, F35, F36, F37, F38, F39, F43, F44
- Operator adapters include an adapter plate and additional parts used to interlock the master door with the disconnect operating mechanism. Panel drilling and installation instructions are furnished with each adapter
- Each brand and type of disconnect requires a different operator adapter. It is important to select the proper operator adapter and enclosure for the disconnect that you have selected

OPERATOR ADAPTER PLATES	
CATALOG NUMBER	TYPE OF OPERATOR ADAPTER
WA21ABA	Allen-Bradley 1494F and 1494D
WA21ABVA	Allen-Bradley 1494V
WA21CHVA	Cutler-Hammer C361, C371 and C371 Flex Shaft™
WA21CHVA	ABB Controls
WA21GETDA	General Electric STDA
WA21ITE	I-T-E Max-Flex™
WA21SDA	Square D Class 9422, (variable depth and cable mechanism)
WA21WHA	Cutler Hammer/Westinghouse SM

BLANK ADAPTER PLATES

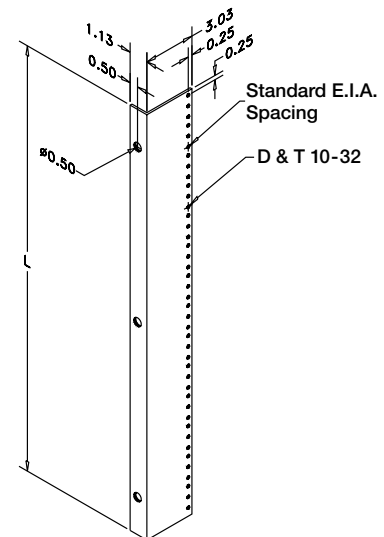
- Used to cover flange cutouts in disconnect enclosures when disconnects are not installed. This greatly increases the versatility of the disconnect enclosures enabling them to also be used as regular Type 12 enclosures
- Wiegmann blank adapter plates are made from heavy gauge steel, with oil-resistant gasket to maintain the dust-tight and oil-tight qualities of the enclosure
- All blank adapter plates are painted ANSI 61 gray polyester powder
- All necessary mounting hardware and instructions are included

BLANK ADAPTER PLATES	
CATALOG NUMBER	TYPE OF OPERATOR ADAPTER
WA21BAP	Blank adapter for universal cutouts on pages F31, F35, F36, F37, F38, F39, F43, F44
WA22BAP	Blank adapter for enclosures on page F17
WA3456BAP	Blank adapter for single door wall-mount enclosures on pages F3, F7, F21

RELAY RACK ANGLE KIT (FOR WALL MOUNTS)

- For NEMA 12, NEMA 4 and NEMA 412 wall mount enclosures. Designed for mounting 19 inch rack mounted equipment in 24 inch wide enclosures. Small holes are pre-tapped at 10-32
- To install, drill holes in side of enclosure and bolt angles in place
- Sealing washers are also provided to maintain original NEMA rating after installation
- Finish is white

RELAY RACK ANGLE KIT		
CATALOG NUMBER	ANGLE LENGTH "L"	DESCRIPTION
WARAK24	23.63 (600)	Two Angles
WARAK30	29.63 (753)	Two Angles
WARAK36	35.63 (905)	Two Angles





FEATURES-SPECIFICATIONS

NEMA 1 TYPE 1/4-LATCH

- Designed for field installation standard NEMA 1 type enclosures
- Requires only a quarter turn to open and close
- Available in both the 1/4-turn latch and 1/4-turn key lock

NEMA 1 TYPE 1/4-LATCH	
CATALOG NUMBER	DESCRIPTION
N1C14T	NEMA 1 1/4-turn latch
N1C14TKL	NEMA 1 1/4-turn key lock

NEMA 412 TAMPER RESISTANT LATCH KITS AND KEYS

- Designed for NEMA 412 Type enclosures
- Latch kits are tamper resistant
- Available in both 1-point and 3-point 1/4-turn kits
- All have black matted finish or chrome (see charts)

NEMA 412 TAMPER PROOF RESISTANT LATCH KITS		
CATALOG NUMBER		DESCRIPTION
1-POINT	3-POINT	
N41214TTRI	N41214TTRI3	Triangular 1/4-turn keyed latch
N41214SQ	N41214SQ3	Square 1/4-turn keyed latch
N41214TVP	N41214TVP3	Double bit vibration proof 1/4-turn keyed latch

NEMA 412 TAMPER PROOF KEYS	
CATALOG NUMBER	DESCRIPTION
N41214TTRIK	Triangular key
N41214SQK	Square key
N41214TVPK	Double bit vibration proof key

STAINLESS STEEL LOCK KIT FOR NEMA 412

- Designed for standard single door Type 412 enclosures
- Requires only a quarter turn to open and close
- Latch is water and dust tight
- Lock is stainless steel
- Can be used with N412 stainless steel enclosures

STAINLESS STEEL LOCK KIT FOR NEMA 412		
CATALOG NUMBER		DESCRIPTION
1-POINT	3-POINT	
N41214TSS	N41214TSS3	Stainless steel 1/4-turn



FEATURES-SPECIFICATIONS

NEMA 412 LOCK KITS

- Designed for NEMA 412 Type enclosures
- Available in both 1-point and 3-point 1/4-turn latches
- All have black matted finish or chrome finish (see charts)

NEMA 412 LOCK KITS		
CATALOG NUMBER		DESCRIPTION
1-POINT	3-POINT	
N41214T	N41214T3	Slotted chrome finish
N41214TB	N41214TB3	Slotted black matted finish
N41214TW	N41214TW3	Wing handle 1/4-turn latch
N41214TWPL	N41214TWPL3	Padlocking 1/4-turn
N41214TTH	N41214TTH3	1/4-turn black matted tee handle
N41214TTHKL	N41214TTH3KL	1/4-turn black matted tee handle, key locking
N41214TBKL*	—	1/4-turn black key lock/dust cover

*NEMA 12 and 13 rating with dust cover only.

LOCK KIT FOR NEMA 4 & 12 ENCLOSURES

- Designed for field installation in standard single door Type 3R, 4 and 12 enclosures
- Latch is water tight and dust tight
- It is necessary to drill or punch one hole in the cover to receive the latch
- Complete installation instructions are included

LOCK KIT FOR NEMA 4 & 12 ENCLOSURES	
CATALOG NUMBER	DESCRIPTION
WACLSN12	1-point key lock

CLIP NUT PACKAGE

- Plated #10-32 clip nuts will fit all rack mounting angles with 7/32 diameter holes

CLIP NUT PACKAGE	
CATALOG NUMBER	DESCRIPTION
W1032N	Clip nut (package of 20)



FEATURES-SPECIFICATIONS

LOCK KITS FOR JUNCTION BOXES

- Designed for field installation in standard junction boxes. Latch is water tight and dust tight
- It is necessary to drill or punch one hole in the cover to receive the cylinder lock
- Complete installation instructions included
- Designed for field installation in standard single door JIC, BCH, BN4CH enclosures

LOCK KITS FOR JUNCTION BOXES	
CATALOG NUMBER	DESCRIPTION
WACLJIC	1-Point cylinder key lock
WAPLKJIC	Padlock lock kit

LATCH KITS FOR SINGLE DOOR TYPE 12 ENCLOSURES

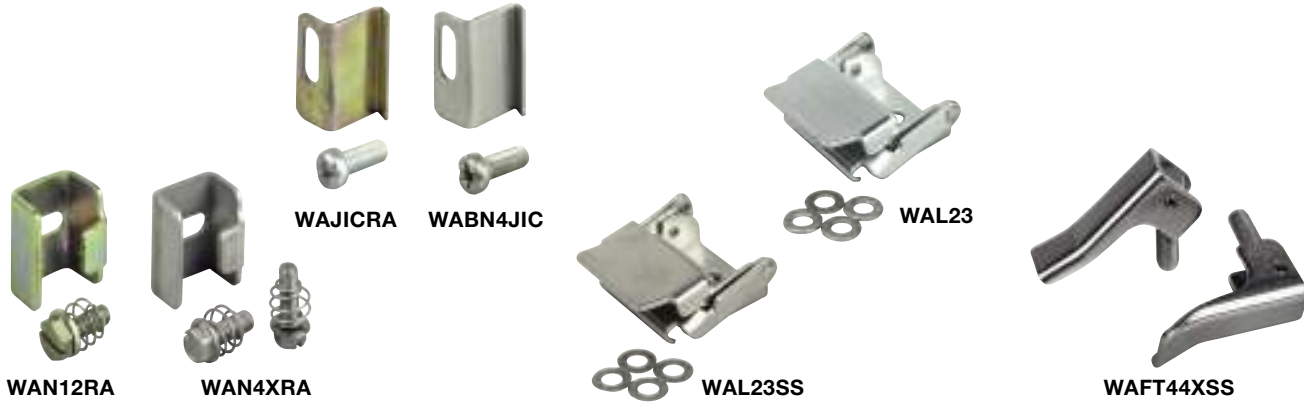
- Designed for field installation in standard single door Type 3R, 4 and 12 enclosures
- Latch is water tight and dust tight
- It is necessary to drill or punch one hole in the cover to receive the latch
- Complete installation instructions are included

LATCH KITS FOR SINGLE DOOR TYPE 12		
CATALOG NUMBER		DESCRIPTION
PADLOCK HANDLE	KEYLOCK HANDLE	
WAL1A	WAL2A	1-Point latch kit
WAL1B	WAL2B	3-Point latch kit where H is 16", 20", 24" or 30"
WAL1C	WAL2C	3-Point latch kit where H is 36", 42", or 48"
WAL1D	WAL2D	3-Point latch kit where H is 60" or 72"

NEMA 1 TYPE T HANDLE LATCH & CYLINDER LOCK KITS

- The "T" handles are intended to be used on various NEMA 1 cabinets. Not suitable for water tight applications
- The 3 point latch comes with handle, latch, latch rods and all hardware. Handles are chrome plated
- Cylinder locks are designed for field installation in the small NIC and large NIC enclosures. Latch is water and dust tight. It is necessary to drill a hole in door to receive latch
- Latch has chrome plated finish

HANDLE LATCH & CYLINDER LOCK KITS	
CATALOG NUMBER	DESCRIPTION
WAL8	1-Point "T" locking handle
WA8	1-Point "T" non locking handle
WAL12B	1-Point key lock for small N1C enclosures
WAL12AR	3-Point key lock for large N1C enclosures



FEATURES-SPECIFICATIONS

REPLACEMENT CLAMP ASSEMBLIES

- Designed for use as replacement clamps on JIC, NEMA 4, NEMA 12 and N4X enclosures. All necessary parts included

REPLACEMENT CLAMP ASSEMBLIES	
CATALOG NUMBER	DESCRIPTION
WAJICRA	N12 JIC Assembly includes: clamp & screw
WABN4JIC	N4 JIC Assembly includes: clamp & screw (304SS)
WABN4JICA	N4 JIC Assembly includes: clamp & screw (316SS)
WAN12RA	N12 Assembly includes: clamp, screw, spring, washers(2)
WAN4XRA	N4X Assembly includes: clamp, screw, spring, washers (2) (304SS)
WAN4XRAA	N4X Assembly includes: clamp, screw, spring, washers (2) (316SS)

FAST OPERATING JUNCTION BOX

- Provides quick access to enclosure or wireway interiors. Install on standard clamp bracket used on Wiegmann junction boxes, type 12 troughs, and lay-in wireway. Clamps are available in plated steel, or stainless steel

FAST OPERATING JUNCTION BOX	
CATALOG NUMBER	DESCRIPTION
WAL23	Plated steel clamp
WAL23SS	304 stainless steel
WAL23SSA	316 stainless steel

TOGGLE LATCH FOR TYPE 4X FREE STANDING ENCLOSURES

- Provides quick access to NEMA Type 4 and 4X free standing enclosures. The stainless steel toggle latches replace the stainless steel bolts used with conventional door clamps
- Operation of the toggle releases the door clamp so the door can be opened easily without tools
- Pack: 2 toggle latches

TOGGLE LATCH FOR TYPE 4X FREE STANDING	
CATALOG NUMBER	DESCRIPTION
WAFT44XSS	304 stainless steel
WAFT44XSSA	316 stainless steel



WDL026SWLT120



LHPC02
Light Holder



WKL025SWLT120

FEATURES-SPECIFICATIONS

Applications

Used where illumination is needed inside an enclosure. WDL series is available with motion sensor or on/off switch. With optional holder kit, WDL series lights can be "hand held" for spot illumination.

Features

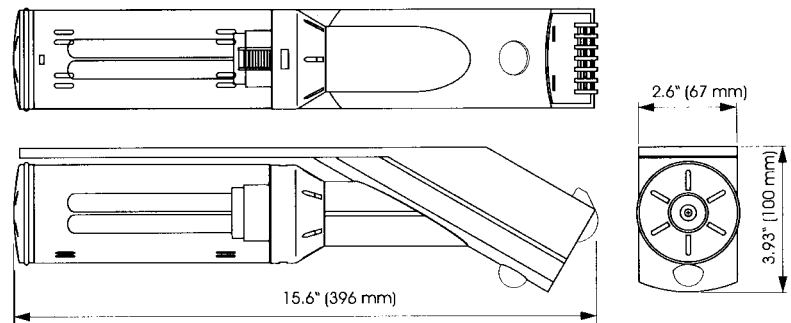
- Motion sensor version detects the motion of the enclosure door being opened and automatically turns light on. The sensor is factory pre-set to turn light off 5 minutes after motion ceases. The motion sensor does not detect movement through glass or fiberglass, thus allowing installation in enclosures with windows or glass doors
- Light color/temperature is bright white
- Holder and lamp housing manufactured from UL94-VO, impact resistant plastic
- Connection: 4 pole terminal, max. AWG 14 for power supply and parallel wiring of 2 lights
- Includes mounting screws

WDL & WKL SERIES LIGHTING						
CATALOG NUMBER	OPERATING VOLTAGE	OUTLET RECEPTACLE	ACTIVATION METHOD	LIGHT INTENSITY (LM)	LAMP CURRENT (HRS)	DIMENSIONS H X W X D (100x396x67)
WDL026SWLT120	110-120	No	Switch on housing	1000	10,000	3.93x15.6x2.6 (100x396x67)
WDL026MSLT120	110-120	No	Passive infrared motion sensor	1000	10,000	3.93x15.6x2.6 (100x396x67)
WKL025SWLT120	110-120	Yes	Switch on housing	900	5,000	2.55x14x2.55 (65x355x65)

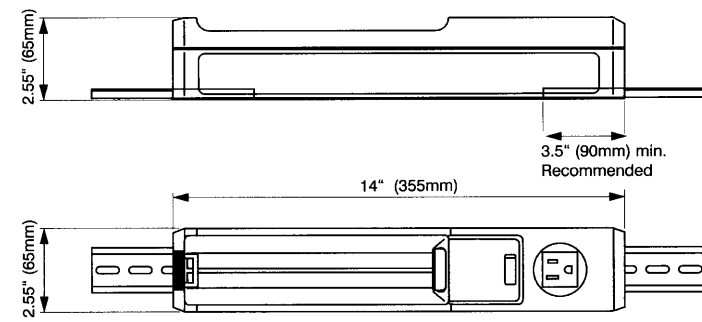
WDL SERIES MOUNTING ACCESSORIES	
CATALOG NUMBER	DESCRIPTION
WDL026MAG	(2) Magnet mounting plates
WDL026SEAD	Self adhesive mounting plates

WDL SERIES ACCESSORY	
CATALOG NUMBER	DESCRIPTION
LHPC02	Light holder (self adhesive back to mount) with 10' power cord

WDL Series



WKL Series



The light can also be screw mounted by sliding it on two 35mm DIN rails.



FEATURES-SPECIFICATIONS

Applications

Hubbell Wiegmann corrosion inhibiting (VCI) Vapor Capsules contain proprietary chemical systems which emit an invisible, odorless, nontoxic vapor which is diffused throughout an enclosure. By placing these self-contained capsules inside an enclosure, the vapors permeate to every available surface. The condensed VCI molecules passivate iron, steel, copper, brass, and aluminum.

Features

- “Peel and stick” adhesive allows application anywhere within enclosure interior
- All capsules include blank date installed field to monitor life span
- Estimated life span for all capsules is one year
- Recommended shelf life under normal conditions is one year. Hubbell Wiegmann corrosion inhibitor products are not returnable. Corrosion inhibitors should be stored at temperatures not exceeding 120°F (45°C)

Positioning of Capsule

It is important to note that the volume protected against corrosion is decidedly different with the placement of vapor capsule. For optimal protection, capsule should be placed as close to center of enclosure as possible. Side mounting (such as to door of enclosure) is often the most practical and still offers, in most cases, excellent coverage.

WVC VAPOR CAPSULES			
CATALOG NUMBER	ENCLOSURE VOLUME PROTECTION (IN CUBIC FEET)	PACKAGE QUANTITY*	DIMENSIONS H X W X D
WVC1-1	4.2	50	0.75x2.13x1.00 (19x54x25)
WVC2-1	33.9	25	0.88x2.13x1.25 (22x54x32)
WVC6-1	905	4	2.00x8.00x4.00 (51x203x102)

*Sold in package quantity only



FEATURES-SPECIFICATIONS

Applications

Hubbell Wiegmann industrial desiccant packets absorb airborne moisture within electrical and electronic enclosures therefore eliminating the possibility of internal component and enclosure corrosion.

Features

- Individual packets used in enclosures ranging from 1 cubic feet or less up to 20 cubic feet in volume

- Can use combination of different packet sizes to protect enclosures over 20 cubic feet in volume
- Desiccant packets are non-toxic and safe for human contact
- Each packet capable of absorbing over 500 x's its own weight in water
- Outperforms traditional silica gels, calcium sulfates, and activated clay products
- To extend shelf life, each packet is individually wrapped in foil

- Recommended shelf life under normal conditions is one year. Hubbell Wiegmann corrosion inhibitor products are not returnable. Corrosion inhibitors should be store at temperatures not exceeding 120°F (45°C)

NOTE: All conduit openings should be sealed with a high quality putty, duct seal, or encapsulant in order for desiccant packets to be 100% effective.

WVC VAPOR CAPSULES			
CATALOG NUMBER	ENCLOSURE VOLUME PROTECTION (IN CUBIC FEET)	PACKAGE QUANTITY*	DIMENSIONS H X W X D
WWG11-1	1 and less	25	1.00x1.00x.13 (25x25x3)
WWG12-1	1 to 2	25	1.00x2.00x.13 (25x51x3)
WWG13-1	2 to 3	25	1.00x3.00x.13 (25x76x3)
WWG22-1	2 to 3	25	2.00x2.00x.13 (51x51x3)
WWG25-2	3 to 4	10	2.00x5.00x.13 (51x127x3)
WWG33-1	4 to 5	10	3.00x3.00x.13 (76x76x3)
WWG37-3	5 to 10	10	3.00x7.00x.13 (76x178x3)
WWG77-6	10 to 20	10	7.00x7.00x.13 (178x178x3)



FEATURES-SPECIFICATIONS

SWING OUT PANEL

Swing panels are designed to mount internal equipment directly behind the main enclosure door. Maximum swing is 107 degrees. Convenient access to sub enclosure is provided via 1/4 turn pull-tab. On solid doors, the clearance from the swing panel face to the interior door face is 1-1/4", and 1" on window doors (when the door is closed). The kit includes the swing panel, brackets and hardware necessary for a tub flange install. Swing out panels meet Type 1 with enclosure door open.

Finish: White Polyester Powder.

Note: Swing out panel can also be mounted on front-to-back adjustable depth mounting kits, or rear panel studs (adjustable mounting kits must be purchased separately).

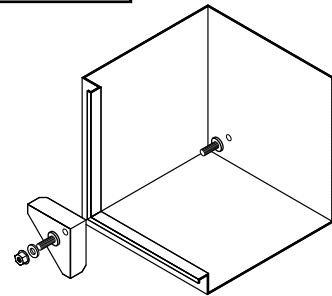
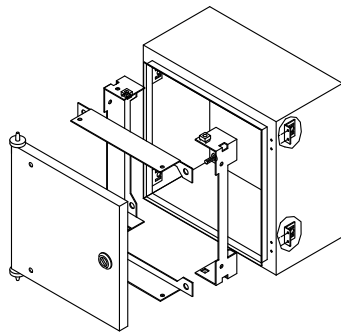
PANEL CONVERSION KIT

These kits allow you to utilize standard NEMA "NP" (non Ultimate panels) within Ultimate enclosures. Simply bolt the conversion brackets over the top of existing studs, then install the Ultimate sub panel. Kit includes four adapter plates and hardware for mounting Ultimate sub panels.

Finish: White Polyester Powder.

PANEL CONVERSION KIT	
CATALOG NUMBER	FOR ENCLOSURE SIZE
HFWCNP4C	Anything 30H X 30W or less

SWING OUT PANEL	
CATALOG NUMBER	FOR ENCLOSURE SIZE
HFWNSP1212C	12 X 12 (H X W)
HFWNSP1612C	16 X 12 (H X W)
HFWNSP1616C	16 X 16 (H X W)
HFWNSP2016C	20 X 16 (H X W)
HFWNSP2416C	24 X 16 (H X W)
HFWNSP1620C	16 X 20 (H X W)
HFWNSP2020C	20 X 20 (H X W)
HFWNSP2420C	24 X 20 (H X W)
HFWNSP3020C	30 X 20 (H X W)
HFWNSP2024C	20 X 24 (H X W)
HFWNSP2424C	24 X 24 (H X W)
HFWNSP3024C	30 X 24 (H X W)
HFWNSP3624C	36 X 24 (H X W)
HFWNSP3030C	30 X 30 (H X W)
HFWNSP3630C	36 X 30 (H X W)
HFWNSP3636C	36 X 36 (H X W)



****Time Saver Note:** Tired of all the extensive labor when removing the competitors' swing panel to adjust the multi-depth brackets, then re-installing the swing panel? How many times have you had to adjust because of different depth instruments? Wiegmann has solved the problem! Simply use the hole access area on the swing panel, loosen the screws and adjust your swing panel. Once the correct dimension is reached, simply tighten the screw and your ready to go!



FEATURES-SPECIFICATIONS

ADJUSTABLE DEPTH MOUNTING KIT

Adjustable depth mounting kits allow customers to slide various accessories from front to back. They fit all Wiegmann Ultimate Series depths.

If an adjustable depth is required, then these kits must be purchased when using the following: swing out panels, DIN rails, rack angles, mounting channels and grid straps.

Kit includes slide mechanisms and hardware to mount. Use two kits when enclosure has 6 collar studs for mounting panel.

Finish: White Polyester Powder

Note: Dead front panel CANNOT be mounted on adjustable mounting kit.

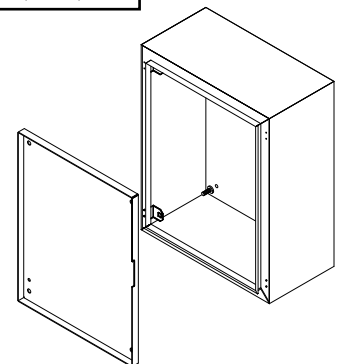
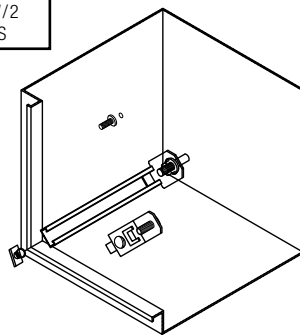
DEAD FRONT KIT

Looking for a fixed sub mounting surface but need it installed directly behind the door, then this is the kit for you. The clearance from the Dead panel face to the interior door face is 1-5/16" on solid doors, and 1-1/16" on window doors. Dead Front Kits are secured via four pan head screws. Kit includes mounting brackets, grounding hardware, and a carbon steel panel finished with white Polyester Powder paint. Dead Fronts meet Type 1 with enclosure door open.

Note: Dead Front kits CANNOT be mounted on adjustable mounting kits.

ADJUSTABLE DEPTH MOUNTING KIT	
CATALOG NUMBER	FOR ENCLOSURE SIZE
HFWADM64C	6" depth or less W/4 collar studs
HFWADM84C	8" depth or less W/4 COLLAR STUDS
HFWADM82C	8" depth or less W/2 ADDITIONAL STUDS
HFWADM104C	10" depth or less W/4 COLLAR STUDS
HFWADM102C	10" depth or less W/2 ADDITIONAL STUDS
HFWADM124C	12" depth or less W/4 COLLAR STUDS
HFWADM122C	12" depth or less W/2 ADDITIONAL STUDS

DEAD FRONT KIT	
CATALOG NUMBER	FOR ENCLOSURE SIZE
HFWDF1212C	12 X 12 (H X W)
HFWDF1612C	16 X 12 (H X W)
HFWDF2016C	20 X 16 (H X W)
HFWDF2020C	20 X 20 (H X W)
HFWDF2420C	24 X 20 (H X W)
HFWDF2424C	24 X 24 (H X W)
HFWDF3024C	30 X 24 (H X W)





FEATURES-SPECIFICATIONS

MOUNTING CHANNEL

Mounting Channels can be used when installing Din rails, grid straps, and rack mounting angles. Channels can be mounted both vertically or horizontally to collar studs, or they may be mounted to Adjustable Depth Mounting Kits. Each kit includes two channels.

Finish: White Polyester Powder.

DIN RAIL KIT

DIN rails supply mounting surfaces for DIN mount snap-on devices. Rails can be mounted both vertically or horizontally to collar studs, or they may be mounted to Adjustable Depth Mounting Kits. Kit includes three rails and mounting hardware.

Finish: plated.

MOUNTING CHANNELS	
CATALOG NUMBER	FOR ENCLOSURE SIZE
HFWMC12C	WHEN H OR W = 12"
HFWMC16C	WHEN H OR W = 16"
HFWMC20C	WHEN H OR W = 20"
HFWMC24C	WHEN H OR W = 24"
HFWMC30C	WHEN H OR W = 30"
HFWMC36C	WHEN H OR W = 36"
HFWMC42C	WHEN H OR W = 42"
HFWMC48C	WHEN H OR W = 48"
HFWMC60C	WHEN H OR W = 60"

DIN RAIL KIT	
CATALOG NUMBER	FOR ENCLOSURE SIZE
HFWDR12C	When H or W = 12"
HFWDR16C	When H or W = 16"
HFWDR20C	When H or W = 20"
HFWDR24C	When H or W = 24"



FEATURES-SPECIFICATIONS

GRID STRAPS

Grid Straps are used when a flexible means of installing components are required. Straps are available in single or three hole widths. Straps can be mounted both vertically or horizontally to collar studs, or they may be mounted to Adjustable Depth Mounting Kits. Two straps and mounting hardware are included within kit (fasteners must be ordered separate).

GRID STRAPS		
CATALOG NUMBER	DESCRIPTION	FOR ENCLOSURE SIZE
HFWS12C	Grid Straps - 1 Hole Wide	When H or W = 12"
HFWS16C	Grid Straps - 1 Hole Wide	When H or W = 16"
HFWS20C	Grid Straps - 1 Hole Wide	When H or W = 20"
HFWS24C	Grid Straps - 1 Hole Wide	When H or W = 24"
HFWS30C	Grid Straps - 1 Hole Wide	When H or W = 30"
HFWS36C	Grid Straps - 3 Hole Wide	When H or W = 36"
HFWS42C	Grid Straps - 3 Hole Wide	When H or W = 42"
HFWS48C	Grid Straps - 3 Hole Wide	When H or W = 48"
HFWS60C	Grid Straps - 3 Hole Wide	When H or W = 60"

Note: Order separate grid fastener package catalog number HFWSHC, consisting of 20 clip nuts and 20 1/4-20 pan head screws for mounting equipment to grid straps.

RACK MOUNTING ANGLES

Rack mounting angles allow the installation of 19" rack equipment in 24" wide enclosures. "L" shaped thru-hole angles may be fixed to the enclosure flange, or used in combination with the Adjustable Depth Mounting Kits. Thru-hole diameters are .281". Brackets are fabricated from 14 ga. galvanized steel (non painted). Mounting hardware and two angles are provided.

Note: W1032N clip nuts must be purchased separately.

RACK MOUNTING ANGLES	
CATALOG NUMBER	FOR ENCLOSURE SIZE
HFWR20C	20"H
HFWR24C	24"H
HFWR30C	30"H
HFWR36C	36"H
HFWR48C	48"H

NOTES

Wiegmann has always recognized that our customers in the electrical and electronic marketplace need reliable, high quality enclosures and environmental control products to meet their protection requirements. Protection Requirements today not only mandate NEMA TYPE 12, 3R, 4, & 4X, but also require a broad mix of BTU & size selections. Wiegmann is proud to offer those choices via a whole new line of A/C products. They are: Advantage Series, Trim Line Series, Micro-Mini Series, Integrity Series, and the Top Mount Series.

Three Basic Cooling Methods

When selecting a cooling method there are three types to consider.

1 *Passive Ventilation* — If there is only a minimal heat gain in your circum-

stance, use of louvers or grilles with filters can be effective. This method, however, usually provides less cooling effect than is necessary with today's components.

2 *Forced Convection Air Cooling* — If the installation will be in a clean, non-hazardous environment with an acceptable ambient (outside the enclosure) temperature range, a simple forced-air cooling system utilizing outside air is usually adequate. Combined with an air filter, such devices generally meet the heat removal needs of typical electronic equipment and many electrical applications (Fig. 1). Examples of forced convection air cooling are filtered fans, fan trays, and blowers of various types.

3 *Closed-Loop Cooling* — In harsh environments involving high temperatures, wash-down requirements, heavy particulate matter or the presence of chemicals capable of damaging components (NEMA 4 or 12 environments), ambient air must be kept out of the enclosure. Closed-loop cooling consists of two separate circulation systems. One system, sealed against the ambient air, cools and recirculates the clean cool air throughout the enclosure. The second system uses ambient air or water to remove and discharge the heat. Examples of closed-loop cooling equipment employed with electronics and process controls are heat exchangers and air conditioners.

FIGURE 1 — Forced Convection Method

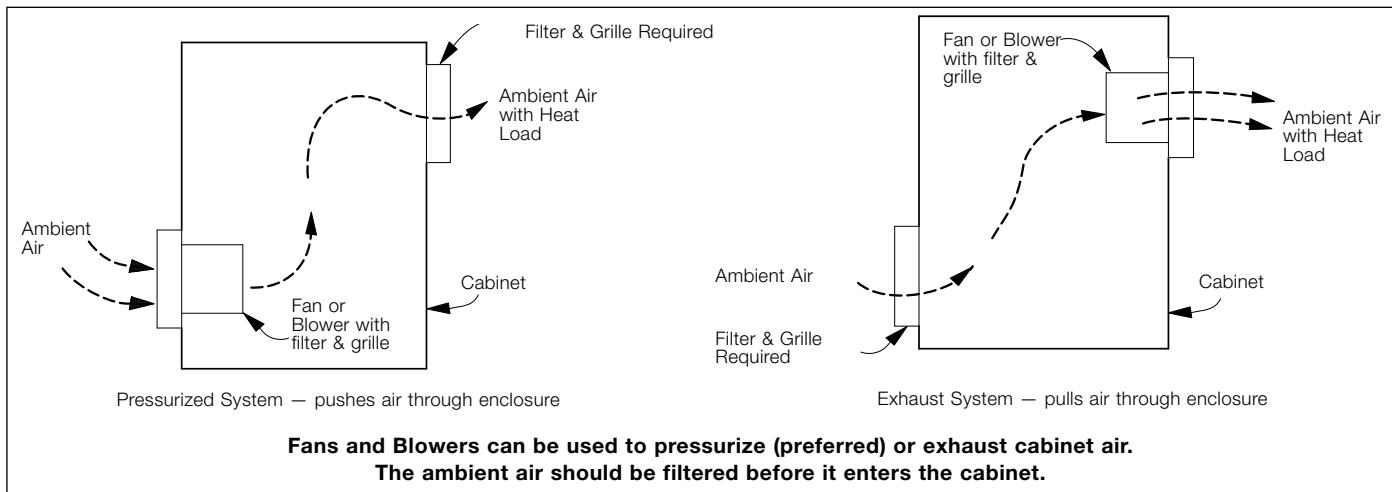
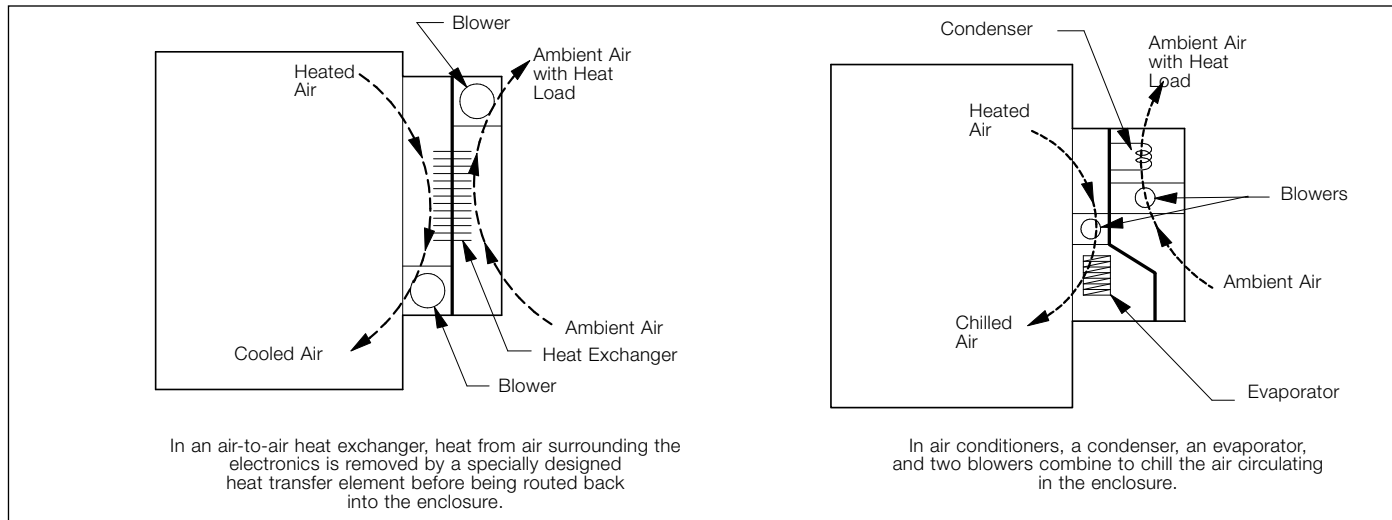
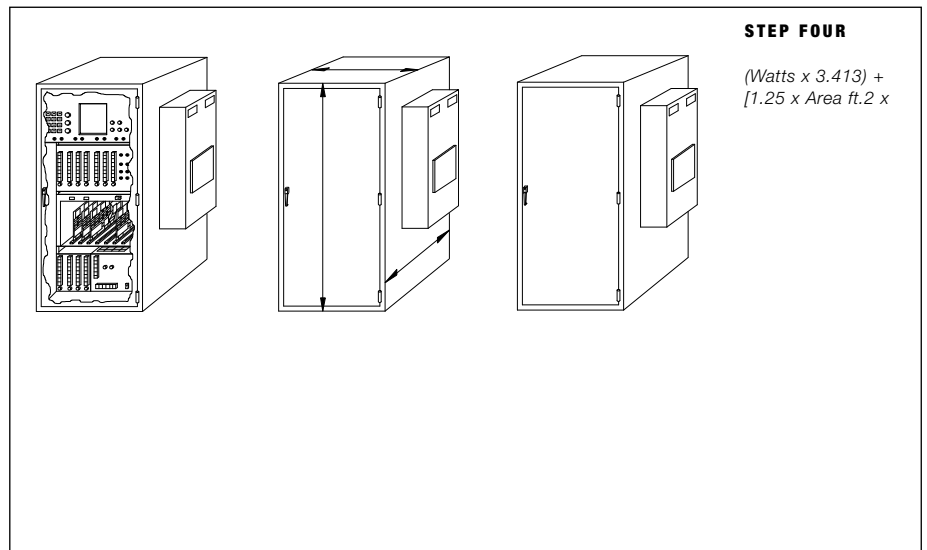


FIGURE 2 - Closed Loop Cooling Method







Description

A highlight of the Panel-Mounted TrimLine Series is an easy, revolutionary system for installing Panel-Mounted Air Conditioners and Heat Exchangers onto electronic or electrical enclosures. The M/TAB is standard on all TrimLine Air Conditioners. This integral system functions as a mounting template, pre-installation hanger and final assembly bracket.

The M/TAB was specifically designed to assist in the difficult job of installing enclosure Air Conditioners. It simplifies

FEATURES-SPECIFICATIONS

the installation process by eliminating the problem of handling flange-mounted Air Conditioners. The solution is provided by following these installation steps...

- Use the M/TAB as a template to drill holes for mounting to the enclosure
- Bolt M/TAB to enclosure
- Cut out the Supply and Return openings
- Hang the Air Conditioner or Heat Exchanger on the M/TAB
- Secure the unit to the M/TAB

The M/TAB also allows for the quick removal and transportation of the Air Conditioner or Heat Exchanger, separate from the equipment, for servicing or change to a different capacity same-

size Air Conditioner or to a same-size Heat Exchanger.

Features

- No exposed rails or mounting flanges; aesthetically pleasing while conserving cabinet space
- Reduction in installation time and labor, with significant cost savings
- Ease of installation and one piece design reduce mounting errors
- Allows the installer to operate independently
- Functions as a pre-installation hanger and final assembly bracket
- Installation is totally outside the enclosure; no clumsy mounting from inside the enclosure





NEMA
TYPE 3R & 12
MAINTAINED

FEATURES-SPECIFICATIONS

Description

At last - air conditioners designed specifically for cooling electronic enclosures that can be used for both indoor and outdoor applications right out of the box!

No more bulky unattractive weather-hoods... No more worries over what options to specify for outdoor applications.

Expertly designed and crafted, the ADVANTAGE Series boasts a stylish appearance with rounded edges, no visible hardware and a textured baked powder finish to blend easily with contemporary enclosure designs.

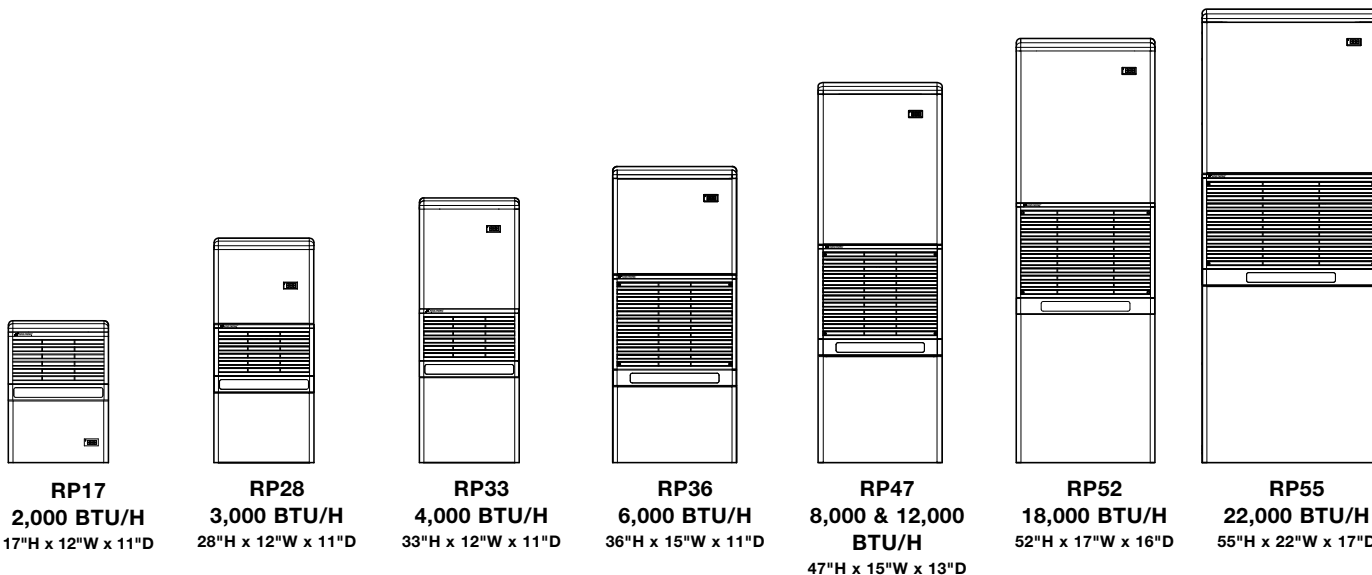
Serviceability has been made easier by incorporating a “knock-down” sheet-metal design which provides quick access to internal components.

These air conditioners are available in capacities from 2,000 to 22,000 BTU/H in seven heights, all utilizing the exclusive M/TAB integral mounting system.

Features

- Capacities: 2,000 to 22,000 BTU/H
- Textured Beige Powder Finish
- Built-in Condensate Evaporator
- CFC-Free Refrigerant
- Closed-Loop Cooling
- Crankcase Compressor Heater
- Digital Temperature Display

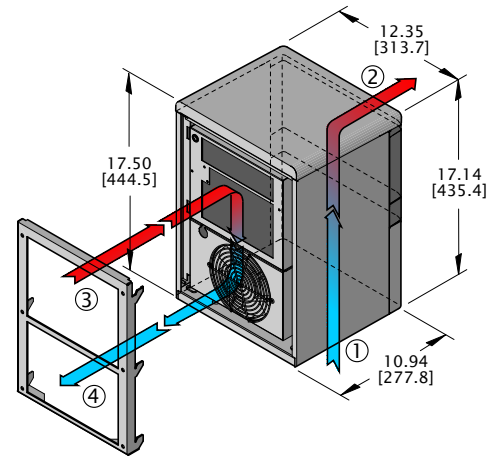
- EMI/RFI Suppressor
- Head Pressure Control Switch
- Heavy-duty Steel Enclosure
- Low Temperature Control Thermostat
- M/TAB Mounting System
- NEMA 3R and 12 Ratings Maintained (UL50)
- Filters
- Six Foot [1.8m] (minimum) SJT 3-wire Cord
- UL/CUL Recognized
- Complete line of accessories



**ENVIRONMENTAL CONTROLS
ADVANTAGE "RP17" SERIES AIR-COOLED
SIDE-MOUNTED AIR CONDITIONERS**



NEMA
TYPE 3R & 12
MAINTAINED



- ① FILTERED CONDENSER AIR INLET (Ambient Air In)
- ② CONDENSER OUTLET (Warm Ambient Air Out)
- ③ WARM AIR RETURN FROM ENCLOSURE
- ④ COOL AIR OUTLET TO ENCLOSURE

FEATURES-SPECIFICATIONS

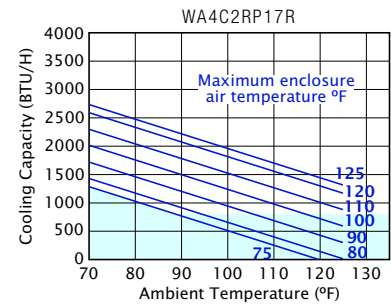
Standard Features

- Condensate Evaporator
- CFC-Free Refrigerant
- Crankcase Compressor Heater
- Digital Temperature Display
- EMI/RFI Suppressor
- Head Pressure Control Switch
- Filters
- Low Temperature Control Thermostat
- M/TAB Mounting System
- NEMA 3R & 12 Rating Maintained
- UL/CUL Recognized*
- Textured Beige Powder Finish

Accessories and Options

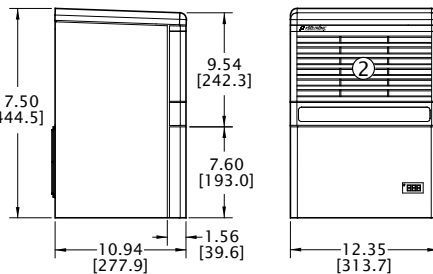
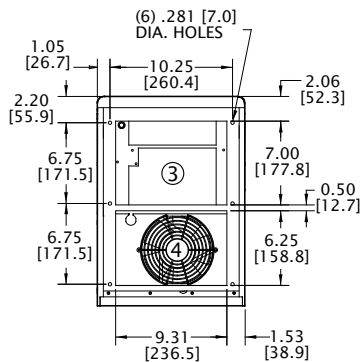
- Cooling Effect Detector
- Enclosure Heater
- Filter Recoating Adhesive
- Filters for replacement
- Internal corrosion protection
- Painted Metal Grille
- Power Loss Delayed Compressor Start
- Short Cycle Protector
- Special paint finishes

PERFORMANCE CHART

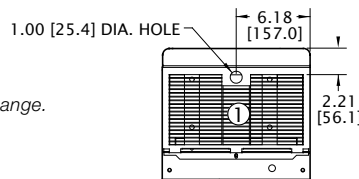
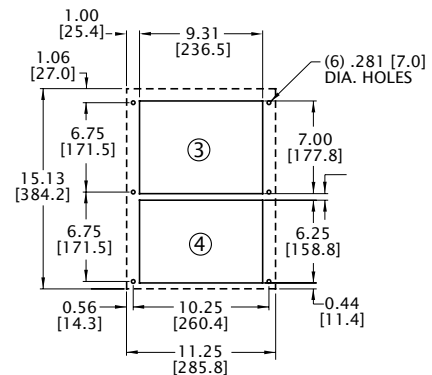


ADVANTAGE SERIES RP17 ADVANTAGE AIR-COOLED PANEL-MOUNTED AIR CONDITIONERS

MODEL	RATED CAPACITY (BTU/H)	95/95 RATING (BTU/H)	AMBIENT TEMP. °F MAX./MIN.	VOLTS	HZ	RUNNING AMPS	APPROX. WEIGHT (LBS.)
WA4C2RP17R	2000	1200	120/50	115/100	60/50	7.0/7.5	64
W2A4C2RP17R	2000	1200	120/50	230/200	60/50	4.0	64



MOUNTING PLAN



Dimensions, inches [metric], are for reference only and subject to change.

*UL/CUL Recognized models are available as Listed at added cost.

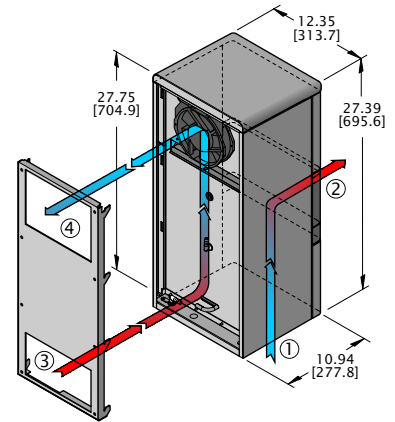
ENVIRONMENTAL CONTROLS ADVANTAGE "RP28" SERIES AIR-COOLED SIDE-MOUNTED AIR CONDITIONERS

K7



NEMA
TYPE 3R & 12
MAINTAINED

- ① FILTERED CONDENSER AIR INLET (Ambient Air In)
- ② CONDENSER OUTLET (Warm Ambient Air Out)
- ③ WARM AIR RETURN FROM ENCLOSURE
- ④ COOL AIR OUTLET TO ENCLOSURE



FEATURES-SPECIFICATIONS

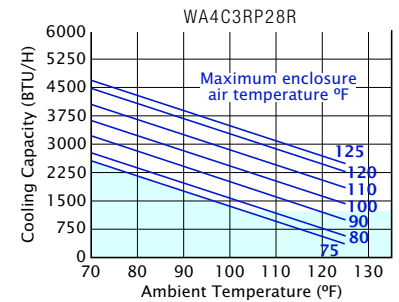
Standard Features

- Condensate Evaporator
- CFC-Free Refrigerant
- Crankcase Compressor Heater
- Digital Temperature Display
- EMI/RFI Suppressor
- Head Pressure Control Switch
- Filters
- Low Temperature Control Thermostat
- M/TAB Mounting System
- NEMA 3R & 12 Rating Maintained
- UL/CUL Recognized*
- Textured Beige Powder Finish

Accessories and Options

- Cooling Effect Detector
- Enclosure Heater
- Filter Recoating Adhesive
- Filters for replacement
- Internal corrosion protection
- Painted Metal Grille
- Power Loss Delayed Compressor Start
- Short Cycle Protector
- Special paint finishes

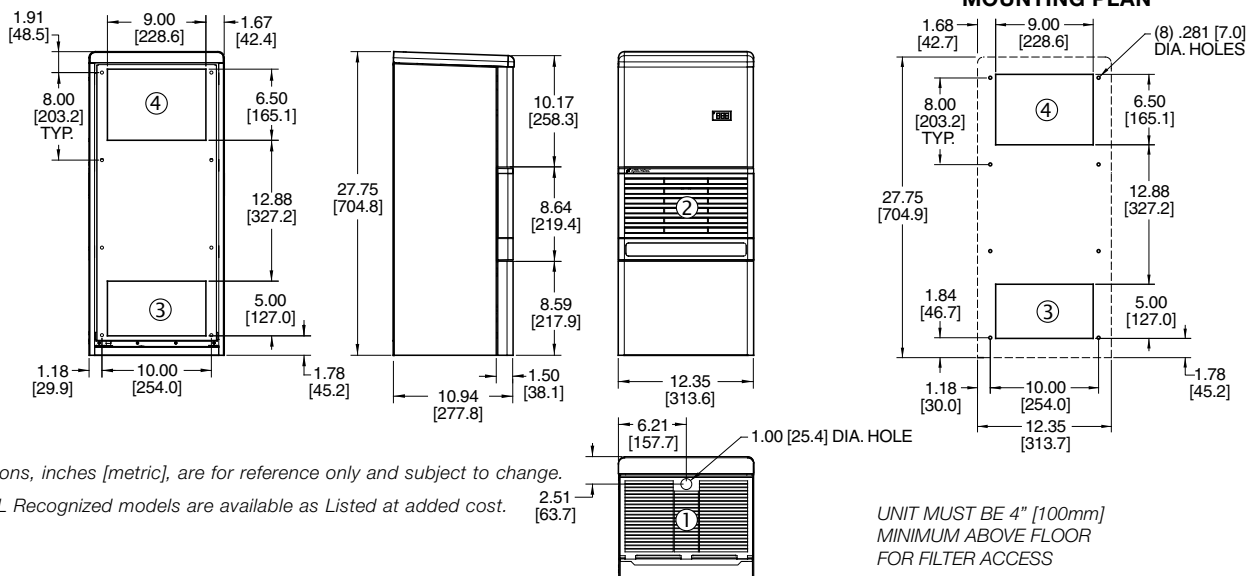
PERFORMANCE CHART



Operation within shaded area not recommended.

ADVANTAGE SERIES RP17 ADVANTAGE AIR-COOLED PANEL-MOUNTED AIR CONDITIONERS

MODEL	RATED CAPACITY (BTU/H)	95/95 RATING (BTU/H)	AMBIENT TEMP. °F MAX./MIN.	VOLTS	HZ	RUNNING AMPS	APPROX. WEIGHT (LBS.)
WA4C3RP28R	3000	2220	125/50	115/100	60/50	9.8/9.7	86
W2A4C3RP28R	3000	2220	115/50	230/200	60/50	5.5/5.6	86



Dimensions, inches [metric], are for reference only and subject to change.

*UL/CUL Recognized models are available as Listed at added cost.

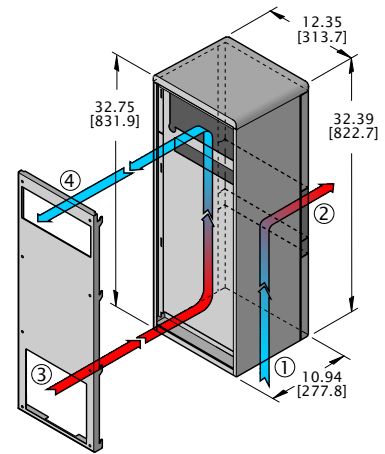
UNIT MUST BE 4" [100mm] MINIMUM ABOVE FLOOR FOR FILTER ACCESS

**ENVIRONMENTAL CONTROLS
ADVANTAGE "RP33" SERIES AIR-COOLED
SIDE MOUNT AIR CONDITIONERS**



UL US **NEMA**
TYPE 3R & 12
MAINTAINED

- ① FILTERED CONDENSER AIR INLET (Ambient Air In)
- ② CONDENSER OUTLET (Warm Ambient Air Out)
- ③ WARM AIR RETURN FROM ENCLOSURE
- ④ COOL AIR OUTLET TO ENCLOSURE



FEATURES-SPECIFICATIONS

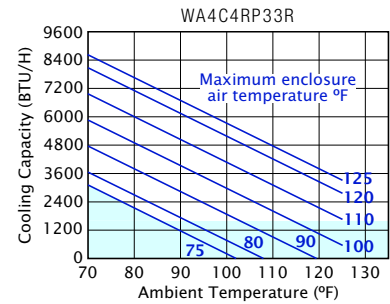
Standard Features

- Built-in Condensate Evaporator
- CFC-Free Refrigerant
- Crankcase Compressor Heater
- Digital Temperature Display
- EMI/RFI Suppressor
- Head Pressure Control Switch
- Filters
- Low Temperature Control Thermostat
- M/TAB Mounting System
- NEMA 3R & 12 Rating Maintained
- UL/CUL Recognized*
- Textured Beige Powder Finish

Accessories and Options

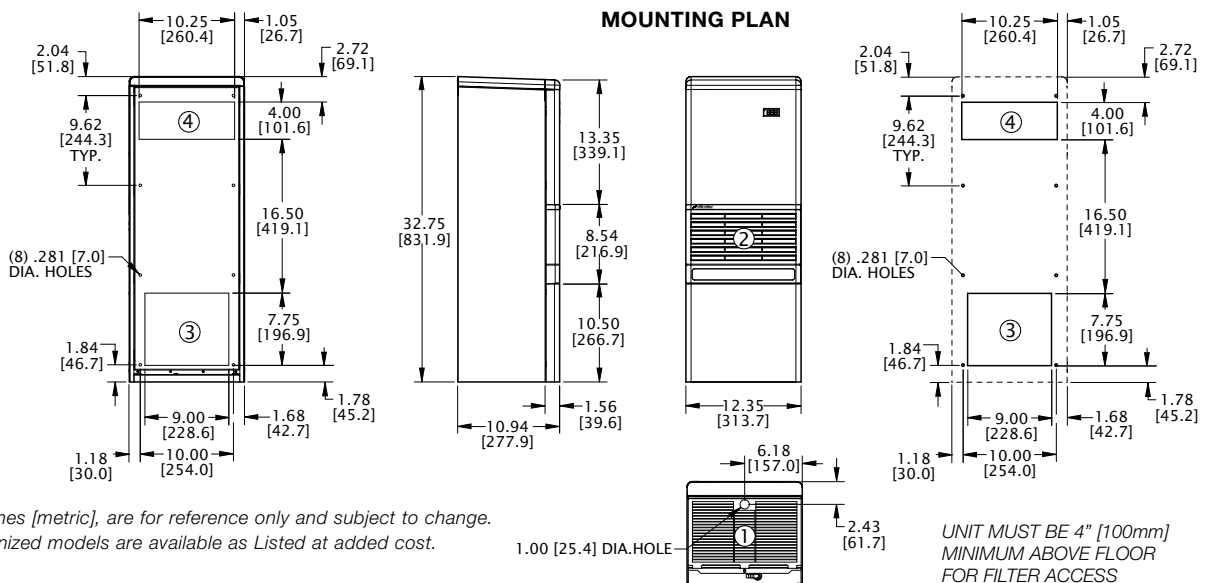
- Cooling Effect Detector
- Enclosure Heater
- Filter Recoating Adhesive
- Filters for replacement
- Internal corrosion protection
- Painted Metal Grille
- Power Loss Delayed Compressor Start
- Short Cycle Protector
- Special paint finishes

PERFORMANCE CHART



Operation within shaded area not recommended.

WDTs SERIES ENVIRONMENTAL CONTROLS 3500 BTU SIDE MOUNT AIR CONDITIONERS							
MODEL	RATED CAPACITY (BTU/H)	95/95 RATING (BTU/H)	AMBIENT TEMP. °F MAX./MIN.	VOLTS	HZ	RUNNING AMPS	APPROX. WEIGHT (LBS.)
WA4C4RP33R	4000	2850	125/50	115/100	60/50	13.6/13.3	98
W2A4C4RP33R	4000	2850	125/50	230/200	60/50	5.8	98



Dimensions, inches [metric], are for reference only and subject to change.
*UL/CUL Recognized models are available as Listed at added cost.

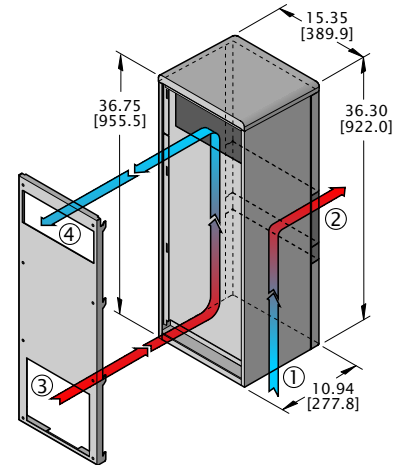
UNIT MUST BE 4" [100mm] MINIMUM ABOVE FLOOR FOR FILTER ACCESS

**ENVIRONMENTAL CONTROLS
ADVANTAGE "RP36" SERIES AIR-COOLED
SIDE-MOUNTED AIR CONDITIONERS**

K9



**NEMA
TYPE 3R & 12
MAINTAINED**



- ① FILTERED CONDENSER AIR INLET (Ambient Air In)
- ② CONDENSER OUTLET (Warm Ambient Air Out)
- ③ WARM AIR RETURN FROM ENCLOSURE
- ④ COOL AIR OUTLET TO ENCLOSURE

FEATURES-SPECIFICATIONS

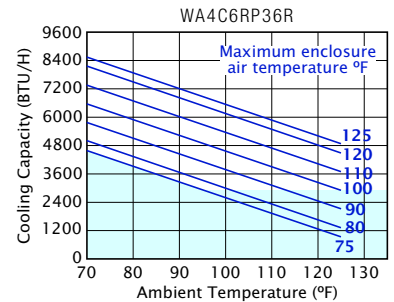
Standard Features

- Built-in Condensate Evaporator
- CFC-Free Refrigerant
- Crankcase Compressor Heater
- Digital Temperature Display
- EMI/RFI Suppressor
- Head Pressure Control Switch
- Filters
- Low Temperature Control Thermostat
- M/TAB Mounting System
- NEMA 3R & 12 Rating Maintained
- UL/CUL Recognized*
- Textured Beige Powder Finish

Accessories and Options

- Cooling Effect Detector
- Enclosure Heater
- Filter Recoating Adhesive
- Filters for replacement
- Internal corrosion protection
- Painted Metal Grille
- Power Loss Delayed Compressor Start
- Short Cycle Protector
- Special paint finishes

PERFORMANCE CHART

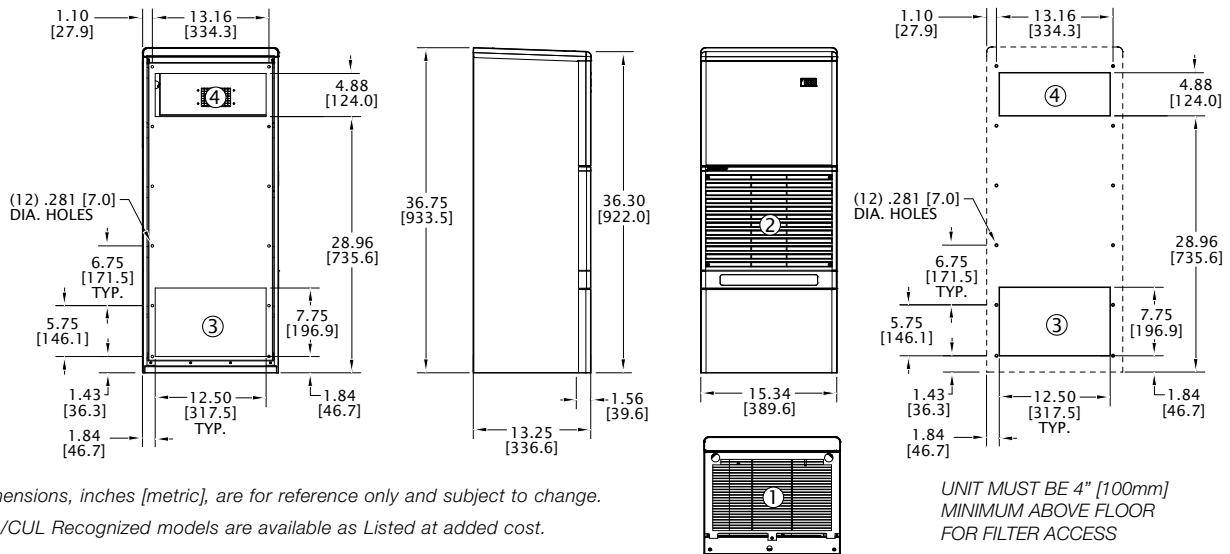


Operation within shaded area not recommended.

ADVANTAGE SERIES RP36 ADVANTAGE AIR-COOLED PANEL-MOUNTED AIR CONDITIONERS

MODEL	RATED CAPACITY (BTU/H)	95/95 RATING (BTU/H)	AMBIENT TEMP. °F MAX./MIN.	VOLTS	HZ	RUNNING AMPS	APPROX. WEIGHT (LBS.)
WA4C6RP36R	6000	4500	125/50	115/100	60/50	19.5/20.0	123
W2A4C6RP36R	6000	4500	115/50	230/200	60/50	19.5/20.0	123

MOUNTING PLAN



Dimensions, inches [metric], are for reference only and subject to change.

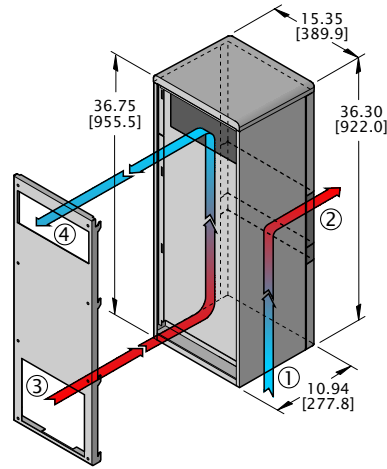
*UL/CUL Recognized models are available as Listed at added cost.

ENVIRONMENTAL CONTROLS ADVANTAGE "RP47" SERIES AIR-COOLED SIDE-MOUNTED AIR CONDITIONERS

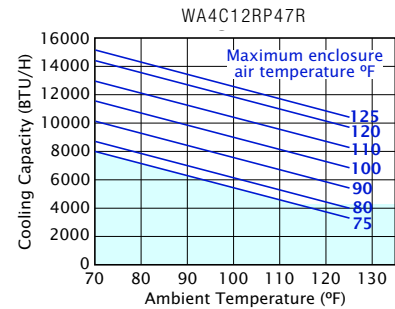
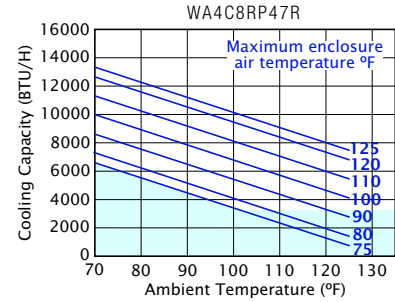


NEMA
TYPE 3R & 12
MAINTAINED

- ① FILTERED CONDENSER AIR INLET (Ambient Air In)
- ② CONDENSER OUTLET (Warm Ambient Air Out)
- ③ WARM AIR RETURN FROM ENCLOSURE
- ④ COOL AIR OUTLET TO ENCLOSURE



PERFORMANCE CHART



Operation within shaded area not recommended.

Standard Features

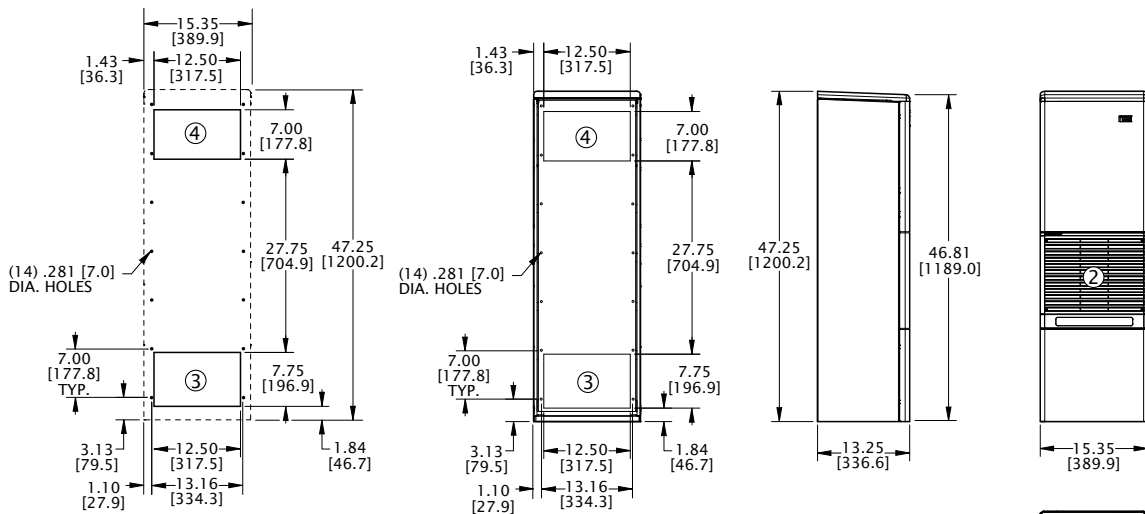
- Built-in Condensate Evaporator
- CFC-Free Refrigerant
- Crankcase Compressor Heater
- Digital Temperature Display
- EMI/RFI Suppressor
- Head Pressure Control Switch
- Filters
- Low Temperature Control Thermostat
- M/TAB Mounting System
- NEMA 3R & 12 Rating Maintained
- UL/CUL Recognized*
- Textured Beige Powder Finish

Accessories and Options

- Cooling Effect Detector
- Enclosure Heater
- Filter Recoating Adhesive
- Filters for replacement
- Internal corrosion protection
- Painted Metal Grille
- Power Loss Delayed Compressor Start
- Short Cycle Protector
- Special paint finishes

ADVANTAGE SERIES RP47 ADVANTAGE AIR-COOLED PANEL-MOUNTED AIR CONDITIONERS

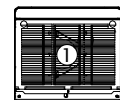
MODEL	RATED CAPACITY (BTU/H)	95/95 RATING (BTU/H)	AMBIENT TEMP. °F MAX./MIN.	VOLTS	HZ	RUNNING AMPS	APPROX. WEIGHT (LBS.)
WA3C8RP47R	8000	6600	125/50	115/100	60/50	12.2/12.7	150
W2A3C8RP47R	8000	6600	125/50	230/200	60/50	5.7/5.9	150
WA3C12RP47R	12000	8500	125/50	115/100	60/50	19.8/19.1	150
W2A3C12RP47R	12000	8500	125/50	230/200	60/50	9.1/9.0	150



Dimensions, inches [metric], are for reference only and subject to change.

*UL/CUL Recognized models are available as Listed at added cost.

UNIT MUST BE 4" [100mm]
MINIMUM ABOVE FLOOR
FOR FILTER ACCESS





FEATURES-SPECIFICATIONS

Description

Innovations in technology have resulted in much denser components packaging and smaller available panel sizes on which to mount Air Conditioners. The TrimLine Series is the response to these new packaging demands with the Narrow 10", 12", 15" and 17" width panel-mount air conditioners. In addition to being narrower than traditional Air Conditioner units, the TrimLine Series include the Condensate Evaporator, Low Temperature Control Thermostat and EMI/RFI Suppressor as standard features and are available in all popular voltages and frequencies.

The TrimLine Series consists of compact models in 2,000-2,500 BTU/H capacities, mid-size models, 28", 33" and 36" WITH up to 4,000, 5,000 and 6,000 BTU/H respectively and the full-size model at 47" with 10,000 BTU/H. Each model series is designed with a minimum width to take up less cabinet space on the exterior panel or door. Integral to the TrimLine Series is the M/TAB (Mounting Template and Assembly Bracket) system which

makes installing Air Conditioners simple and fast and interchangeable with corresponding TrimLine Heat Exchangers.

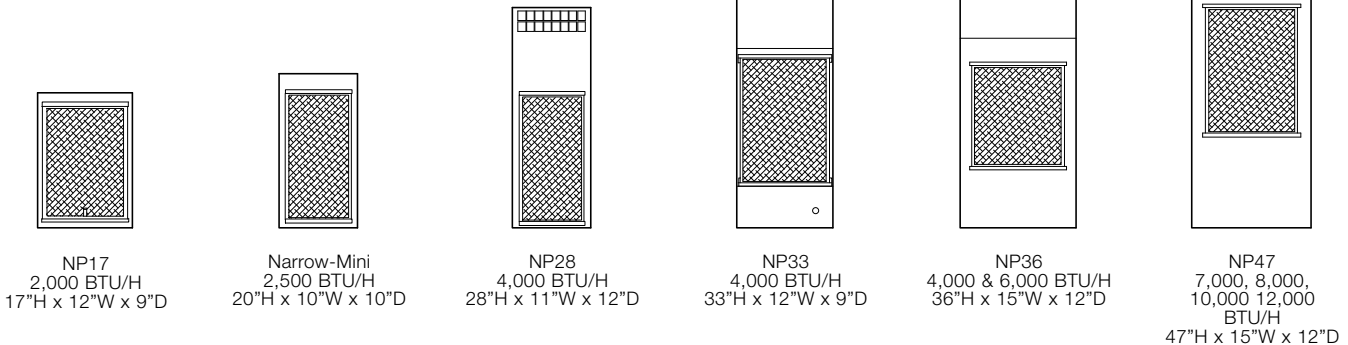
Outdoor or corrosive environments require weather protection and/or special internal and external protective features. For outdoor applications see the Advantage and Integrity Outdoor Series.

For extreme ambient temperatures and/or severely contaminated environments, the use of TrimLine or other Water-Cooled Air Conditioners are recommended.

Features

- Capacities: 2,000 to 10,000 BTU/H; six heights available
- CFC-free or Low ODP Refrigerant
- All models UL/CUL Listed or Recognized
- Tested and approved by UL for NEMA 12 Enclosures
- Compact design with slim 10", 12", 15" and 17" wide mounting foot-prints

- Exclusive KOOLTRONIC M/TAB integral mounting system for quick, easy installation
- Built-in Condensate Evaporator eliminates need for draining normal condensate
- Thermostatic Low Temperature Control prevents over-cooling and provides energy-efficient operation
- EMI/RFI Suppressor minimizes transient line spikes during on/off cycling
- Field-reversible condenser outlet blower provides choice of horizontal or vertical air discharge
- Heavy-duty steel enclosures with gray baked powder finish
- Six foot (minimum) SJT 3-wire power cord
- Complete line of accessories

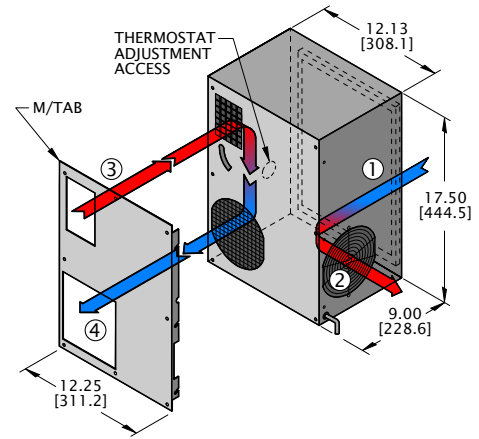


ENVIRONMENTAL CONTROLS TRIMLINE "NP17" SERIES SIDE-MOUNTED AIR CONDITIONERS



**NEMA
TYPE 12
MAINTAINED**

- ① FILTERED CONDENSER AIR INLET (Ambient Air In)
- ② CONDENSER OUTLET (Warm Ambient Air Out)
- ③ WARM AIR RETURN FROM ENCLOSURE
- ④ COOL AIR OUTLET TO ENCLOSURE



Standard Features

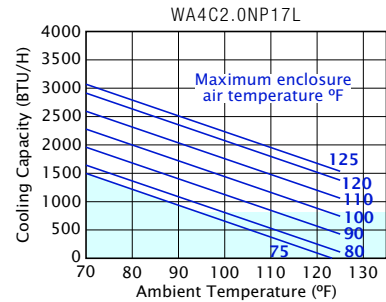
- Built-in Condensate Evaporator
- CFC-Free Refrigerant
- EMI/RFI Suppressor
- Low Temperature Control Thermostat
- M/TAB Mounting System
- NEMA 12 Rating Maintained (UL50)*
- UL/CUL Listed
- Gray Powder Finish

- Filter Recoating Adhesive
- Filters for replacement
- Internal corrosion protection
- Lifting Eyes
- Low Ambient Kit
- Short Cycle Protector
- Special materials or finishes
- Special motors, line cords, or connectors
- Stainless or Aluminum Cabinet
- Weather Protection Kit

Accessories and Options

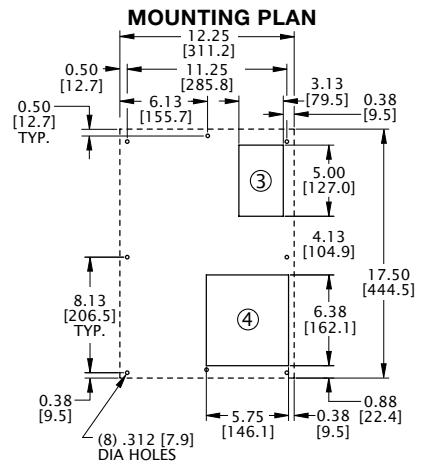
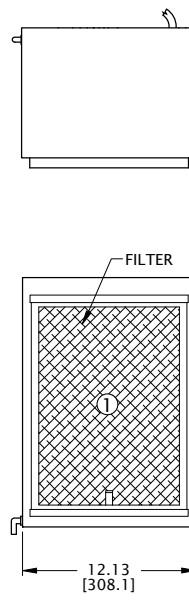
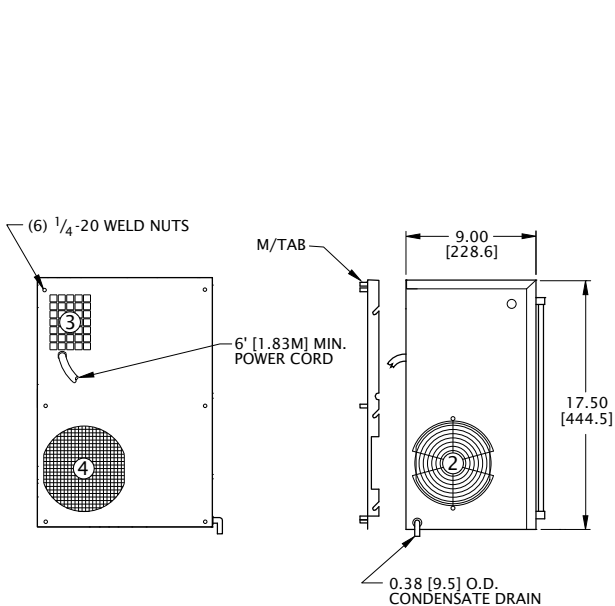
- Cooling Effect Detector

PERFORMANCE CHART



TRIMLINE SERIES NP17 AIR-COOLED PANEL-MOUNTED AIR CONDITIONERS

MODEL	RATED CAPACITY (BTU/H)	95/95 RATING (BTU/H)	AMBIENT TEMP. °F MAX./MIN.	VOLTS	HZ	RUNNING AMPS	APPROX. WEIGHT (LBS.)
WA4C20NP17L	2000	1420	125/50	115/100	60/50	6.7/6.5	59
W2A4C20NP17L	2000	1420	125/50	230/200	60/50	4.3	59



Dimensions, inches [metric], are for reference only and subject to change.
*Weld-nut mounting method, without M/TAB

Weld nuts supplied for alternate mounting method to maintain NEMA 12. Mounting Plans furnished on request.

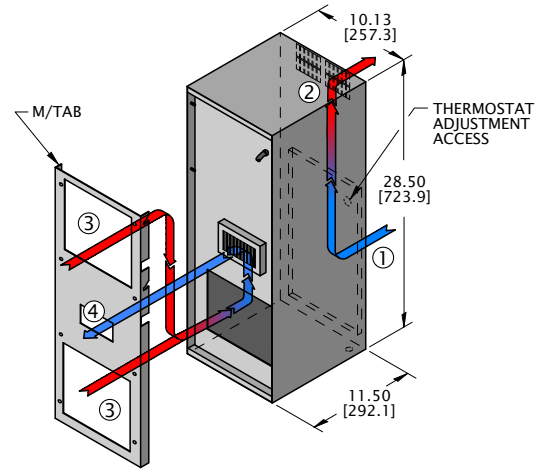
ENVIRONMENTAL CONTROLS TRIMLINE "NP28" SERIES AIR-COOLED SIDE-MOUNTED AIR CONDITIONERS

K13



**NEMA
TYPE 12
MAINTAINED**

- ① FILTERED CONDENSER AIR INLET (Ambient Air In)
- ② CONDENSER OUTLET (Warm Ambient Air Out)
- ③ WARM AIR RETURN FROM ENCLOSURE
- ④ COOL AIR OUTLET TO ENCLOSURE



Standard Features

- Built-in Condensate Evaporator
- CFC-Free Refrigerant
- EMI/RFI Suppressor
- Low Temperature Control Thermostat
- M/TAB Mounting System
- NEMA 12 Rating Maintained (UL50)
- UL/CUL Listed
- Gray Powder Finish

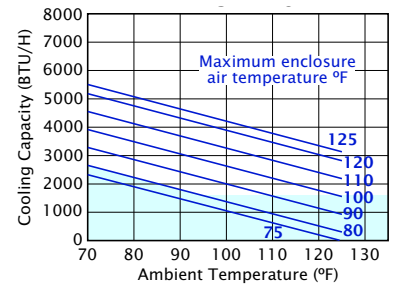
- Filter Recoating Adhesive
- Filters for replacement
- Internal corrosion protection
- Lifting Eyes
- Low Ambient Kit
- Short Cycle Protector
- Special materials or finishes
- Special motors, line cords, or connectors
- Stainless or Aluminum Cabinet
- Weather Protection Kit

Accessories and Options

- Cooling Effect Detector

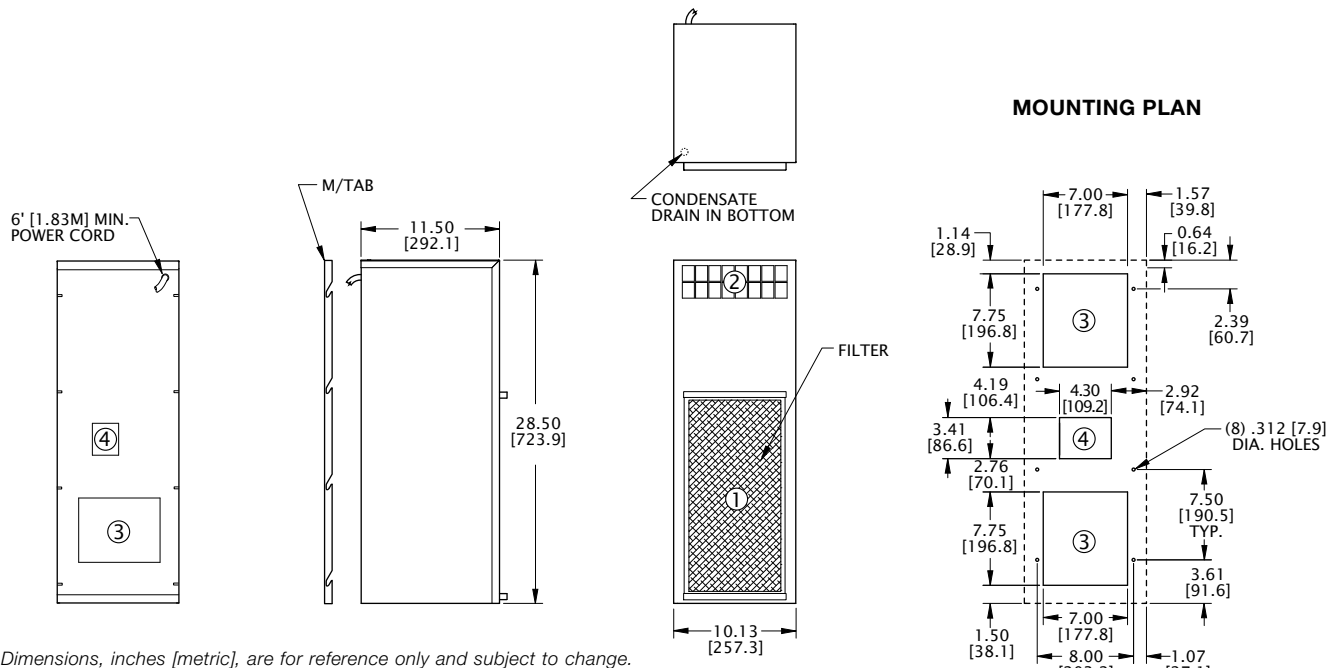
PERFORMANCE CHART

WA4C4NP28L



Operation within shaded area not recommended.

TRIMLINE SERIES NP28 AIR-COOLED PANEL-MOUNTED AIR CONDITIONERS							
MODEL	RATED CAPACITY (BTU/H)	95/95 RATING (BTU/H)	AMBIENT TEMP. °F MAX./MIN.	VOLTS	HZ	RUNNING AMPS	APPROX. WEIGHT (LBS.)
WA4C4NP28L	4000	2520	125/50	115/100	60/50	13.0/12.0	85
W2A4C4NP28L	4000	2520	120/50	230/200	60/50	6.0	85



Dimensions, inches [metric], are for reference only and subject to change.

ENVIRONMENTAL CONTROLS TRIMLINE "NP33" SERIES AIR-COOLED SIDE-MOUNTED AIR CONDITIONERS



NEMA
TYPE 12
MAINTAINED

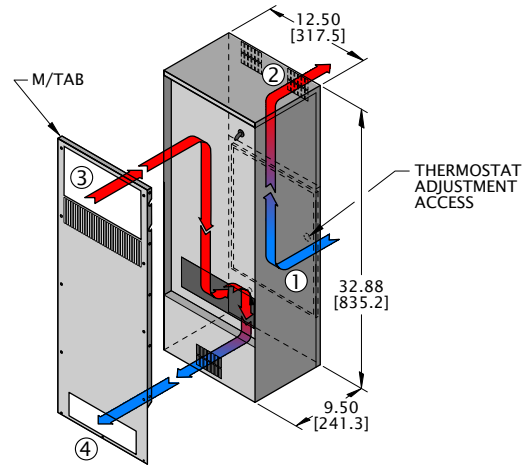
Standard Features

- Built-in Condensate Evaporator
- CFC-Free or Low ODP Refrigerant
- EMI/RFI Suppressor
- Low Temperature Control Thermostat
- M/TAB Mounting System
- NEMA 12 Rating Maintained (UL50)
- Reversible Condenser Outlet Blower
- UL/CUL Listed
- Gray Powder Finish

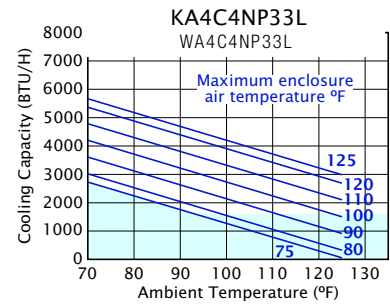
Accessories and Options

- Cooling Effect Detector
- Enclosure Heater

- Filter Recoating Adhesive
- Filters for replacement
- Internal corrosion protection
- Lifting Eyes
- Low Airflow Detector
- Low Ambient Kit
- Short Cycle Protector
- Special materials or finishes
- Special motors, line cords, or connectors
- Stainless or Aluminum Cabinet
- Weather Protection Kit

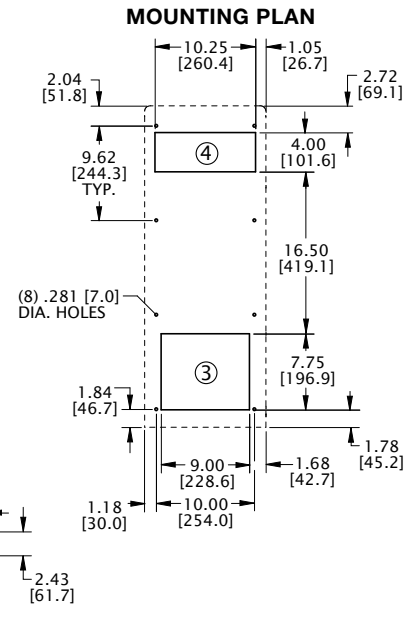
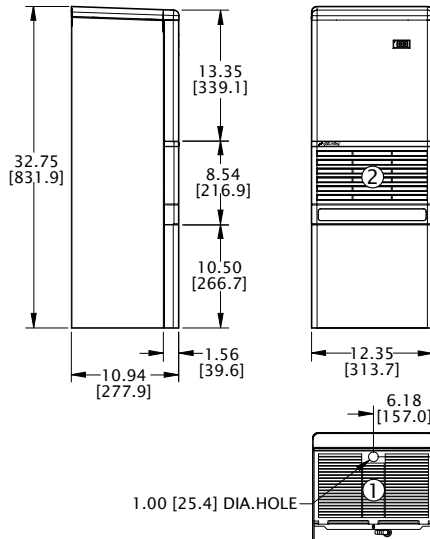
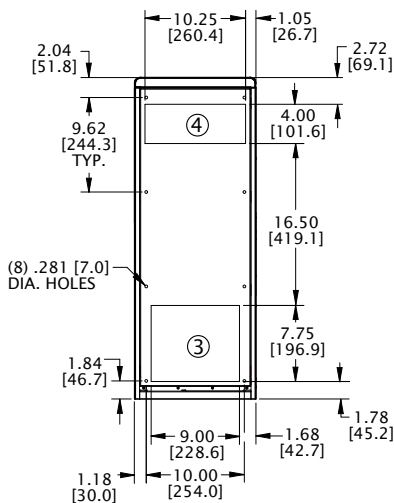


PERFORMANCE CHART



Operation within shaded area not recommended.

TRIMLINE SERIES NP33 AIR-COOLED PANEL-MOUNTED AIR CONDITIONERS							
MODEL	RATED CAPACITY (BTU/H)	95/95 RATING (BTU/H)	AMBIENT TEMP. °F MAX./MIN.	VOLTS	HZ	RUNNING AMPS	APPROX. WEIGHT (LBS.)
WA4C4NP33L	4000	2680	125/50	115/100	60/50	12.8	90
W2A4C4NP33L	4000	2680	125/50	230/200	60/50	7.0	90



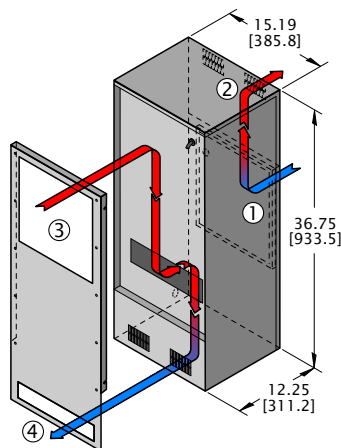
Dimensions, inches [metric], are for reference only and subject to change.

ENVIRONMENTAL CONTROLS TRIMLINE "NP36" SERIES AIR-COOLED SIDE-MOUNTED AIR CONDITIONERS

K15

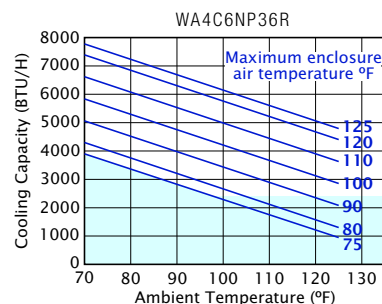
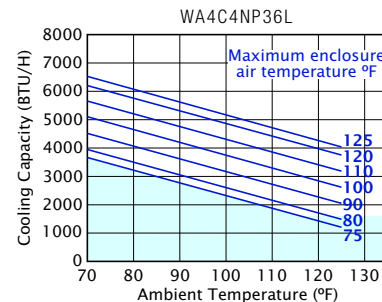


- ① FILTERED CONDENSER AIR INLET (Ambient Air In)
- ② CONDENSER OUTLET (Warm Ambient Air Out)
- ③ WARM AIR RETURN FROM ENCLOSURE
- ④ COOL AIR OUTLET TO ENCLOSURE



NEMA
TYPE 12
MAINTAINED

PERFORMANCE CHARTS



Operation within shaded areas not recommended.

Standard Features

- Built-in Condensate Evaporator
- CFC-Free Refrigerant
- EMI/RFI Suppressor
- Low Temperature Control Thermostat
- M/TAB Mounting System
- NEMA 12 Rating Maintained(UL50)
- Reversible Condenser Outlet Blower
- UL/CUL Listed/Recognized†
- Gray Powder Finish

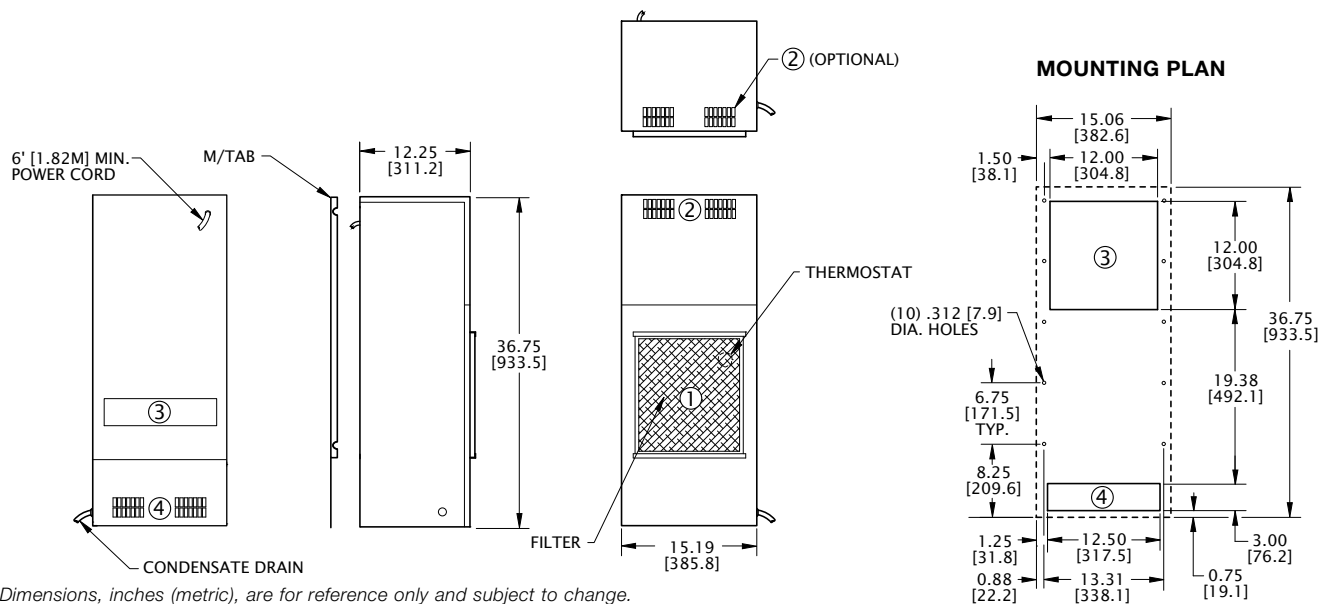
- Filter Recoating Adhesive
- Filters for replacement
- Internal corrosion protection
- Lifting Eyes
- Low Ambient Kit
- Low Airflow Detector
- Short Cycle Protector
- Special materials or finishes
- Special motors, line cords, or connectors
- Stainless or Aluminum Cabinet
- Weather Protection Kit

Accessories and Options

- Cooling Effect Detector

TRIMLINE SERIES NP36 AIR-COOLED PANEL-MOUNTED AIR CONDITIONERS

MODEL	RATED CAPACITY (BTU/H)	95/95 RATING (BTU/H)	AMBIENT TEMP. °F MAX./MIN.	VOLTS	HZ	RUNNING AMPS	APPROX. WEIGHT (LBS.)
WA4C4NP36L	4000	3700	125/50	115/100	60/50	13.5	125
W2A4C4NP36L	4000	3700	125/50	230/200	60/50	7.5	125
WA4C6NP36R	6000	4100	125/50	115/100	60/50	16.5/17.0	125
W2A4C6NP36L	6000	4100	125/50	230/200	60/50	8.2	125



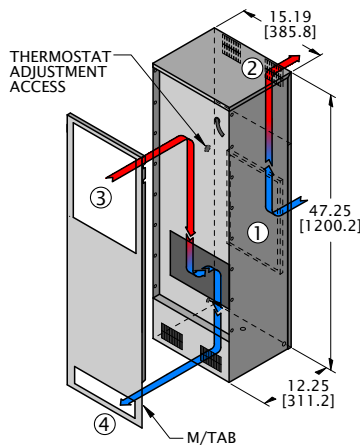
Dimensions, inches (metric), are for reference only and subject to change.

†UL/CUL Recognized models are available as Listed at added cost.

ENVIRONMENTAL CONTROLS TRIMLINE "NP47" SERIES AIR-COOLED SIDE-MOUNTED AIR CONDITIONERS



- ① FILTERED CONDENSER AIR INLET (Ambient Air In)
- ② CONDENSER OUTLET (Warm Ambient Air Out)
- ③ WARM AIR RETURN FROM ENCLOSURE
- ④ COOL AIR OUTLET TO ENCLOSURE



NEMA
TYPE 12
MAINTAINED

Standard Features

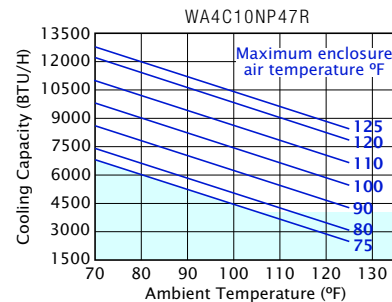
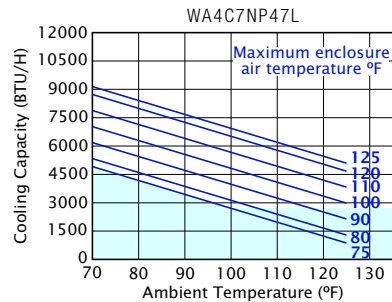
- Built-in Condensate Evaporator
- CFC-Free or Low ODP Refrigerant
- EMI/RFI Suppressor
- Low Temperature Control Thermostat
- M/TAB Mounting System
- NEMA 12 Rating Maintained (UL50)
- Reversible Condenser Outlet Blower
- UL/CUL Listed/Recognized*
- Gray Powder Finish

- Enclosure Heater
- Filter Recoating Adhesive
- Filters for replacement
- Internal corrosion protection
- Lifting Eyes
- Low Airflow Detector
- Low Ambient Kit
- Short Cycle Protector
- Special materials or finishes
- Special motors, line cords, or connectors
- Stainless or Aluminum Cabinet
- Weather Protection Kit

Accessories and Options

- Cooling Effect Detector
- Deep Drain Pan Kit

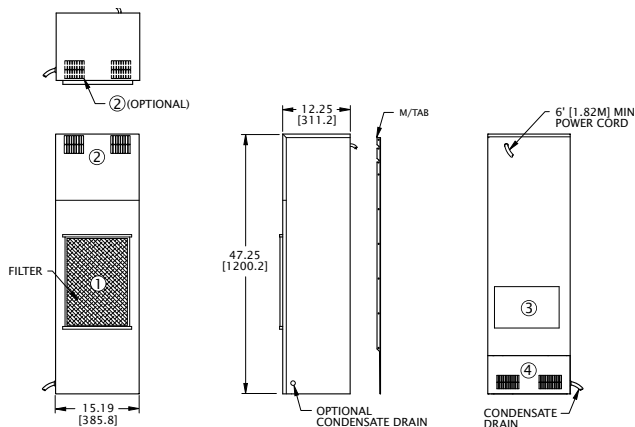
PERFORMANCE CHARTS



Operation within shaded areas not recommended.

TRIMLINE SERIES NP47 AIR-COOLED PANEL-MOUNTED AIR CONDITIONERS

MODEL	RATED CAPACITY (BTU/H)	95/95 RATING (BTU/H)	AMBIENT TEMP. °F MAX./MIN.	VOLTS	HZ	RUNNING AMPS	APPROX. WEIGHT (LBS.)
WA4C6NP47L	6000	3600	125/50	115/100	60/50	16.5	150
W2A4C6NP47L	6000	3600	125/50	230/200	60/50	8.6	150
WA4C7NP47L	7000	4750	125/50	115/100	60/50	16.5	150
W2A4C7NP47L	7000	4750	125/50	230/200	60/50	8.6	150
WA4C8NP47L	8000	4750	125/50	115/100	60/50	16.5	150
W2A4C8NP47L	8000	4750	125/50	230/200	60/50	8.6	150
WA3C10NP47R	10000	7250	120/50	115/100	60/50	19.2/18.6	160
W2A4C10NP47L	10000	7250	125/50	230/200	60/50	11.8	160
WA3C12NP47R	12000	7250	120/50	115/100	60/50	19.2/18.6	160
W2A4C12NP47L	12000	7250	125/50	230/200	60/50	11.8	160



MOUNTING PLAN

Dimensions, inches [metric], are for reference only and subject to change.

*UL/CUL Recognized models are available as Listed at added cost.

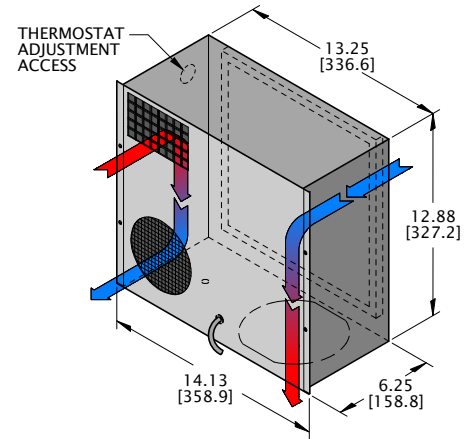
ENVIRONMENTAL CONTROLS MICRO-MINI SERIES AIR-COOLED SIDE-MOUNTED AIR CONDITIONERS

K17



**NEMA
TYPE 12
MAINTAINED**

- ① FILTERED CONDENSER AIR INLET (Ambient Air In)
- ② CONDENSER OUTLET (Warm Ambient Air Out)
- ③ WARM AIR RETURN FROM ENCLOSURE
- ④ COOL AIR OUTLET TO ENCLOSURE



FEATURES-SPECIFICATIONS

Standard Features

- Ball-bearing Motors
- CFC-Free Refrigerant
- EMI/RFI Suppressor
- Low Temperature Control Thermostat
- NEMA 12 Rating Maintained (UL50)
- UL/CUL Listed
- Gray Powder Finish

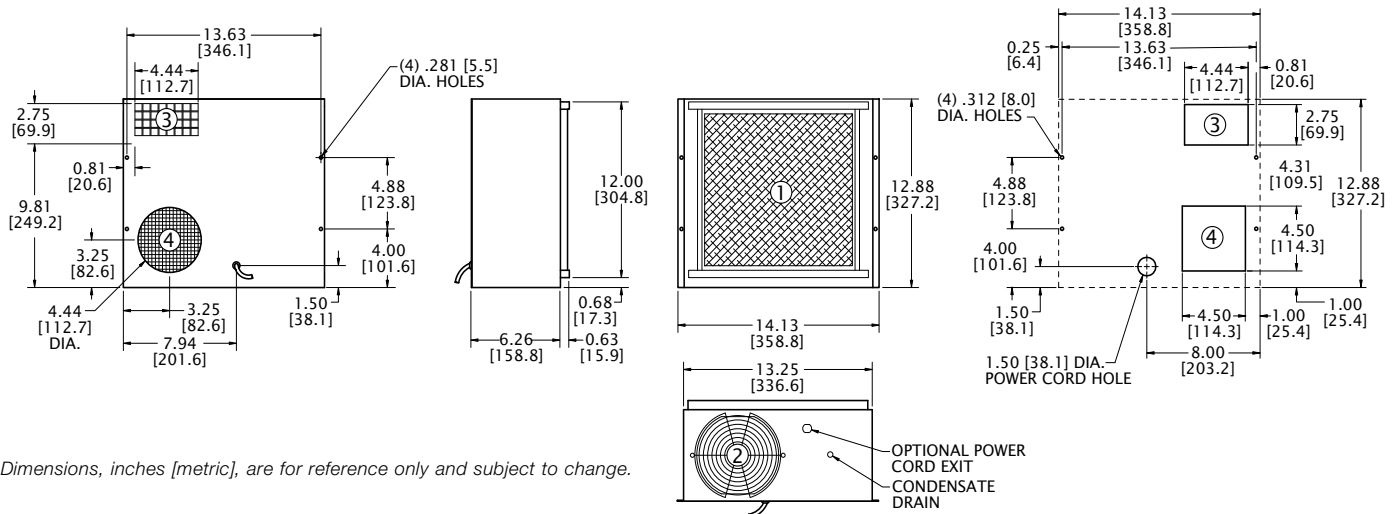
Accessories and Options

- Adapter Plate for rack mounting
- Compressor Heater
- Condensate Evaporator
- Cooling Effect Detector
- Filter Recoating Adhesive
- Filters for replacement
- Internal corrosion protection
- Lifting Eyes

- Low Ambient Kit and Compressor Heater
- Mounting Hinge
- Short Cycle Protector
- Special materials or finishes
- Special motors, line cords, or connectors
- Stainless or Aluminum Cabinet
- Weather Protection Kit

MICRO-MINI SERIES AIR-COOLED PANEL-MOUNTED AIR CONDITIONERS							
MODEL	RATED CAPACITY (BTU/H)	95/95 RATING (BTU/H)	AMBIENT TEMP. °F MAX./MIN.	VOLTS	HZ	RUNNING AMPS	APPROX. WEIGHT (LBS.)
WA4C10MML	1000	600	125/50	115/100	60/50	4.5	43
W2A4C10MML	1000	600	125/50	230/200	60/50	2.3	43
WA4C12MML	1200	720	125/50	115/100	60/50	4.5	43
W2A4C12MML	1200	720	125/50	230/200	60/50	2.3	43

MOUNTING PLAN



Dimensions, inches [metric], are for reference only and subject to change.



**NEMA
TYPE 4/4X
MAINTAINED**

FEATURES-SPECIFICATIONS

Description

Designed specifically for NEMA 4 and 4X Enclosure applications that require washdown or are subject to outdoor storm conditions, Integrity NEMA 4/4X Air Conditioners protect the ratings of NEMA 4 or 4X Enclosures.

These exclusive patented UL/CUL Recognized Panel-Mounted Air Conditioners provide superior closed-loop cooling and also protect against the hazards specified for both Indoor and Outdoor NEMA 4 and 4X Enclosures. Tested and rated by universally recognized Underwriters Laboratories, these uniquely-designed 304-2B Stainless Steel Air Conditioners prevent unwanted environmental penetration of NEMA 4 and 4X Enclosures as they provide a clean, cool internal environment.

With the design advantages of the Integrity NEMA 4/4X Series and the inclusion of the unique Mounting Template and Assembly Bracket (M/TAB), modified for this design, this series offers the finest in cooling innovation and technology.

Features

- Capacities range from 2,000 to 10,000 BTU/H in 32", 38", 47" and 59" heights
- UL/CUL Listed or Recognized©
- Tested and approved by UL for NEMA 4 and 4X Enclosures
- CFC-free Refrigerant
- Gasketed flanges on all four mounting edges for positive leakproof seal
- Exclusive modified integral Mounting Template and Assembly Bracket (M/TAB) for quick, easy installation.
- Thermostatic Low Temperature Control prevents over-cooling and provides energy-efficient operation
- Internal Corrosion Protection
- EMI/RFI Suppressor minimizes transient line spikes during on/off cycling
- Separate blower-driven evaporator and condenser air systems penetrate high static pressure applications
- Rugged heavy duty stainless steel exterior

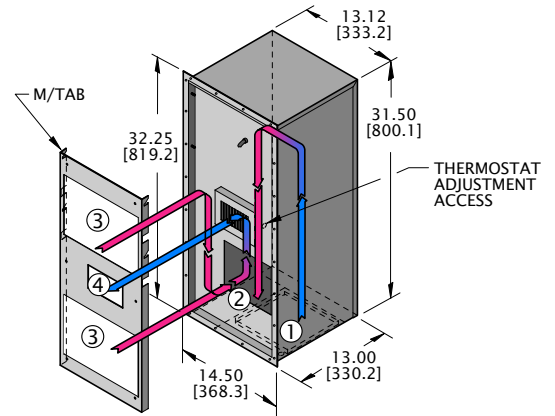
ENVIRONMENTAL CONTROLS INTEGRITY "32" SERIES AIR-COOLED SIDE-MOUNTED AIR CONDITIONERS

K19



NEMA
TYPE 4/4X
MAINTAINED

- ① FILTERED CONDENSER AIR INLET (Ambient Air In)
- ② CONDENSER OUTLET (Warm Ambient Air Out)
- ③ WARM AIR RETURN FROM ENCLOSURE
- ④ COOL AIR OUTLET TO ENCLOSURE



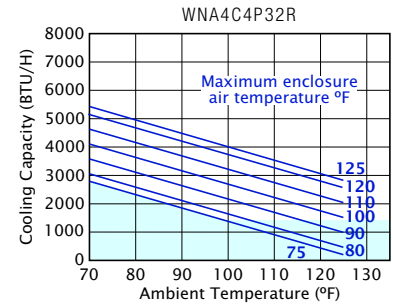
Standard Features

- CFC-Free Refrigerant
- EMI/RFI Suppressor
- Internal corrosion protection
- Low Temperature Control Thermostat
- M/TAB Mounting System
- NEMA 4/4X Rating Maintained (UL50)
- Stainless Steel Cabinet
- UL/CUL Recognized†

Accessories and Options

- Cooling Effect Detector
- Filter Recoating Adhesive
- Filters for replacement
- Lifting Eyes
- Low Ambient Kit & Compressor Heater
- Short Cycle Protector
- Special materials or finishes

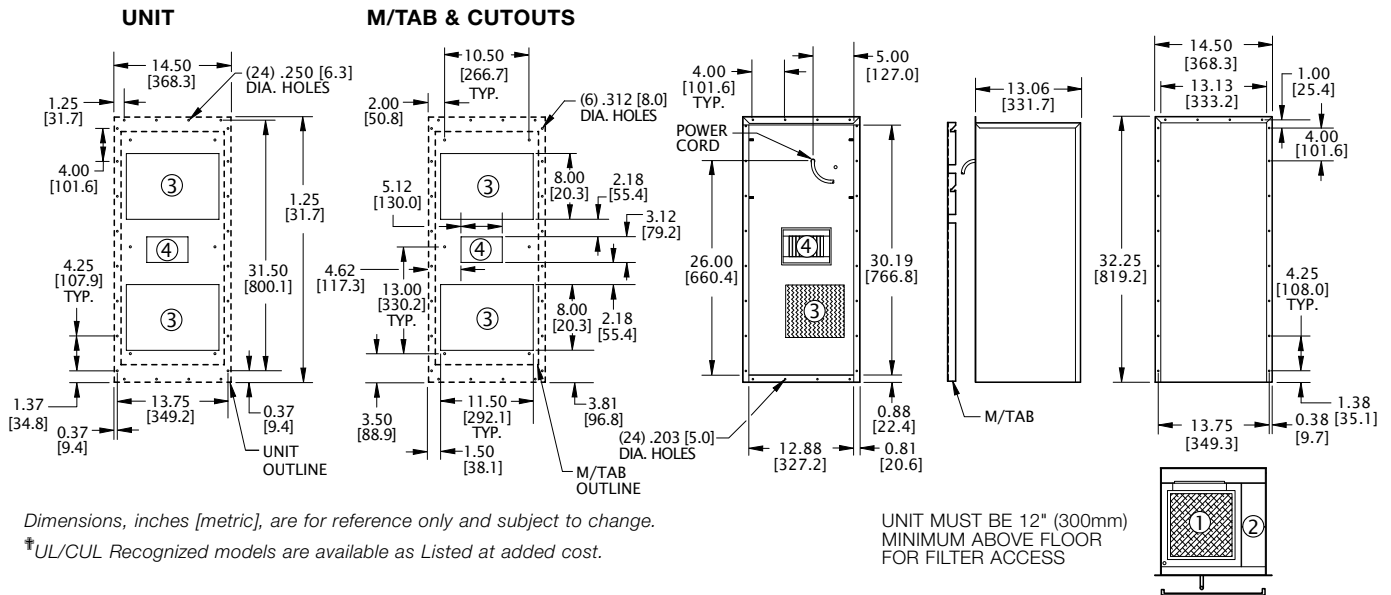
PERFORMANCE CHART



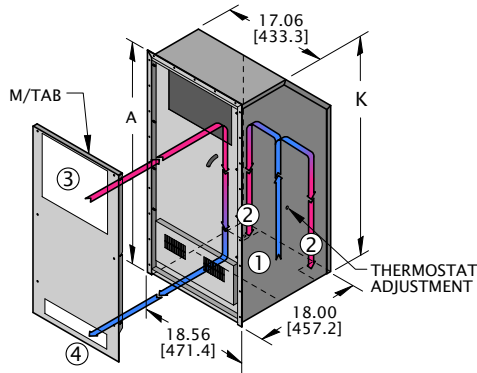
Operation within shaded areas not recommended.

INTEGRITY SERIES 32 AIR-COOLED PANEL-MOUNTED AIR CONDITIONERS							
MODEL	RATED CAPACITY (BTU/H)	95/95 RATING (BTU/H)	AMBIENT TEMP. °F MAX./MIN.	VOLTS	HZ	RUNNING AMPS	APPROX. WEIGHT (LBS.)
WNA4C2P32R	2000	1325	125/50	115/100	60/50	13.0/12.0	105
W2NA4C2P32R	2000	1325	120/50	230/200	60/50	6.0	105
WNA4C4P32R	4000	2650	125/50	115/100	60/50	13.0/12.0	105
W2NA4C4P32R	4000	2650	120/50	230/200	60/50	6.0	105

MOUNTING PLAN



**ENVIRONMENTAL CONTROLS
INTEGRITY "38 & 47" SERIES AIR-COOLED
SIDE-MOUNTED AIR CONDITIONERS**



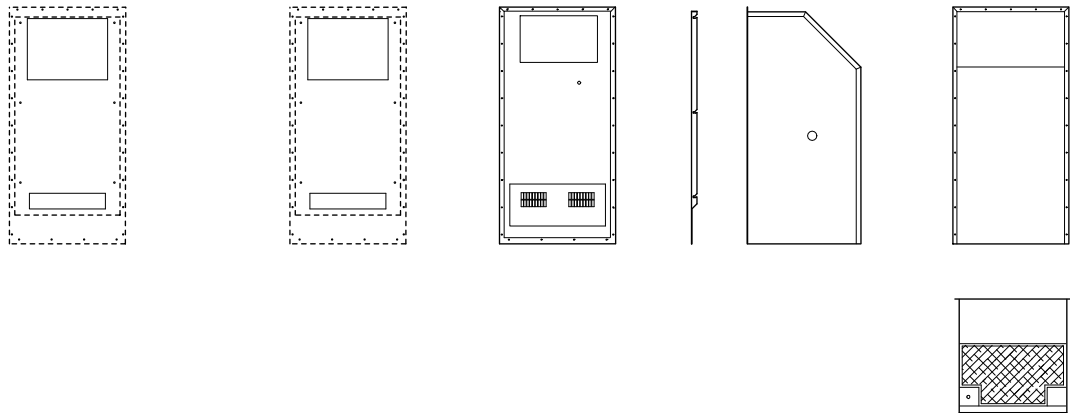
RU [®] **US** **NEMA**
TYPE 4/4X
MAINTAINED

- ① FILTERED CONDENSER AIR INLET (Ambient Air In)
- ② CONDENSER OUTLET (Warm Ambient Air Out)
- ③ WARM AIR RETURN FROM ENCLOSURE
- ④ COOL AIR OUTLET TO ENCLOSURE

INTEGRITY SERIES 38 & 47 AIR-COOLED PANEL-MOUNTED AIR CONDITIONERS

DIMENSIONS INCHES (METRIC)

MODEL	A	B	C	D	E
SERIES 38	37.75 (958.8)	36.69 (931.9)	12.75 (323.8)	12.75 (323.8)	18.12 (463.5)
SERIES 47	47.00 (1193.8)	45.93 (1166.6)	12.25 (311.1)	11.25 (285.7)	27.37 (695.1)
MODEL	F	G	H	J	K
SERIES 38	2.50 (63.5)	4.34 (110.2)	6.00 (152.4)	27.00 (685.8)	37.00 (939.8)
SERIES 47	2.50 (63.5)	4.00 (101.6)	8.00 (203.2)	33.00 (838.2)	46.25 (1174.7)



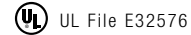


NEMA 4/4X



NEMA 12

Industry Standards
UL Listed
NEMA 12, 4 or 4X



FEATURES-SPECIFICATIONS

Applications

Compressed air cooling is used where conventional enclosure cooling (air conditioners or heat exchangers) is not possible. Example: Small to medium size enclosures; nonmetallic enclosures; areas where the size of cooling devices is restricted.

Features

- Suitable for harsh environments
- Small physical size
- Creates cool air without refrigerants (no CFC's, HFC's)
- Exceptionally reliable – no moving parts
- Virtually no maintenance

Requirements

- Clean, dry, oil-free compressed air (100 PSIG/70°F or below) required

to achieve published BTU/hr. ratings. Lower pressures and higher temperatures will reduce BTU/hr. ratings

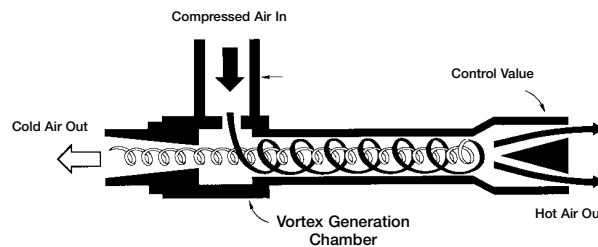
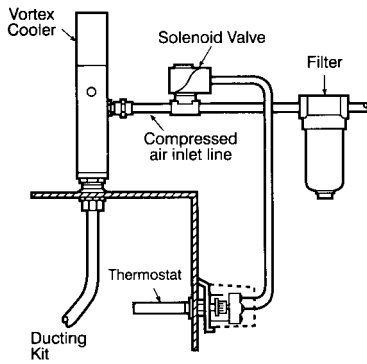
- A 5 micron water and particulate removal filter must be installed prior to operating any Vortex Cooler (included in kits)
- An oil removable filter can be installed between the 5 micron filter and the Vortex cooler if oil is present in the compressed air line
- Mounting holes:
 - NEMA 12 kits – (1) 1-3/32" (28mm) or 3/4" knockout hole for cooling tube and (1) 11/16" hole for thermostat
 - NEMA 4 & NEMA 4X kits – (1) 1-5/16" (49mm) or 1-1/2" knockout hole for cooling tube and (2) #8 holes for thermostat

Kit Includes the Following

- Vortex Cooling Tube
- Solenoid Valve 120V 60Hz – 110V 50 Hz (230V available)
- 5 micron water and particulate removal filter
- Ducting Kit
- Thermostat

How Enclosure Coolers Create Cold Air

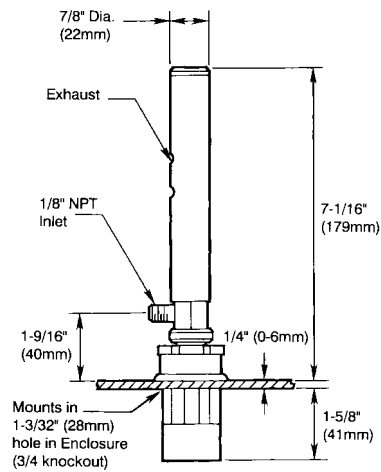
Vortex Coolers are powered by a vortex tube – a unique device that creates a vortex from compressed air and separates it into hot and cold airstreams. Here's how it works. The vortex tube's cylindrical generator causes the input compressed air to rotate, reaching speeds up to 1,000,000 rpm as it is forced down the inner walls of the hot, or longer end of the vortex tube. At the end of the hot tube, as small portion of this air exits through a needle valve as hot air exhaust. The remaining air is forced back through the center of the incoming air stream at a slower speed. The heat in the slower moving air is transferred to the faster moving incoming air. This super-cooled air flows through the center of the generator and exits through the cold air exhaust port.



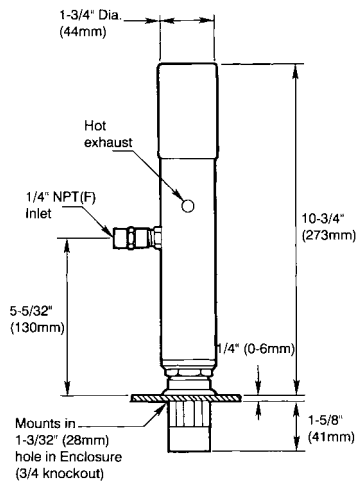


VORTEX COOLERS										
CATALOG NUMBER	CAPACITY		AIR CONSUMPTION			TUBE SURFACE TEMP AT BTU	THERMOSTAT MOUNTING	NEMA TYPE	UL TYPE	COOLING TUBE MATERIAL
	BTUH	KCAL/H	SCFM	SLPM	THERMOSTAT (FACTORY SET)					
W750400	400	101	8	227	90°F ± 2°	150°F	External	12	12	Aluminum
W740900	900	225	15	425	90°F ± 2°	150°F	External	12	12	Aluminum
W7901500	1500	378	25	708	90°F ± 2°	150°F	External	12	12	Aluminum
W7971700	1700	425	25	708	90°F ± 2°	150°F	Internal	4	4	Aluminum
W797SS1700	1700	425	25	708	90°F ± 2°	150°F	Internal	4X	4X	Stainless Steel

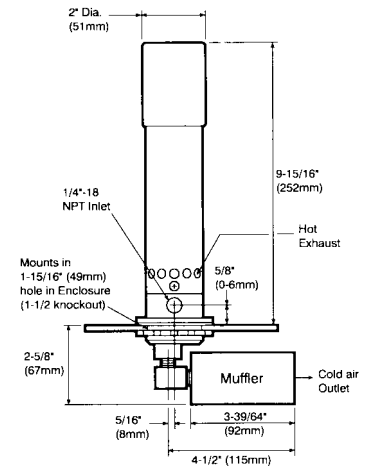
ACCESSORIES	
CATALOG NUMBER	FILTER TYPE AND SIZE
W380ILFILTER	Auto-drain oil removal filter, 3/8" NPT (F), rated to 25 SCFM/708 SLPM
W120ILFILTER	Auto-drain oil removal filter, 1/2" NPT (F), rated to 50 SCFM/1415 SLPM



Model W750400



Model W740900 & W7901500



Model W7971700 & W797SS1700

Note: Thermostats for Models W750400, W740900 and W7901500 mounts in an 11/16" (18mm) diameter hole.



FEATURES-SPECIFICATIONS

Applications

Used for enclosure cooling in low static pressure applications.

Features

- High airflow with low noise operation makes these versatile cooling fans very popular in a wide range of applications
- Reliable cooling is achieved particularly in areas with minimum space requirements
- The cooling system incorporates the filtered fan boxes as its air inlet, while the exhaust grille is the air outlet

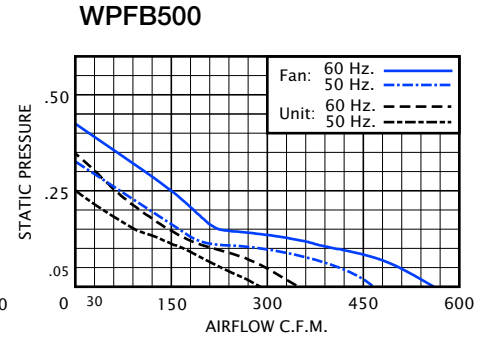
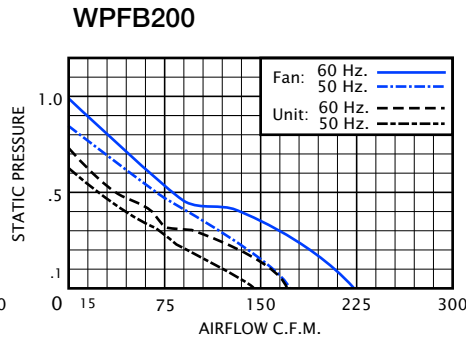
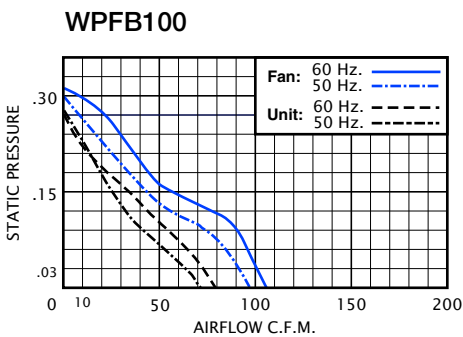
- The washable aluminum filter grille and air filter is easily accessible and can be removed for cleaning
- Available in 115 VAC or 230 VAC 50/60 Hz versions
- Heavy gauge steel construction
- Attractive, aesthetically appealing grille design
- All models can pressurize or exhaust
- Aluminum filter is coated with adhesive baffle surfaces for dust and dirt collection. Can be recoated after cleaning for optimum performance

Note: One grille and filter are included with each fan package. Normally, an additional exhaust grille and filter required for each installation and must be ordered separately.

Accessories

- Exhaust Grille and Filters (see page L23)
- Filter Coat

PERFORMANCE GRAPHS



Static pressure is in inches of water.

**ENVIRONMENTAL CONTROLS
WPFB/WPFBE SERIES FILTERED BOX FANS & GRILLES**



“WPFB” Box Fan



“WPFBE” Exhaust Grille with Filter



Filter Coat

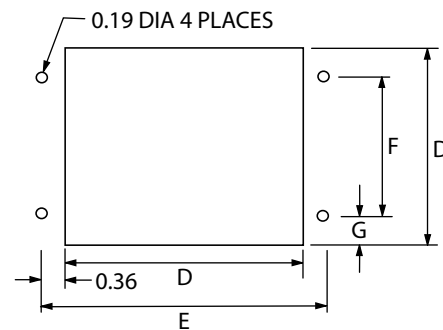
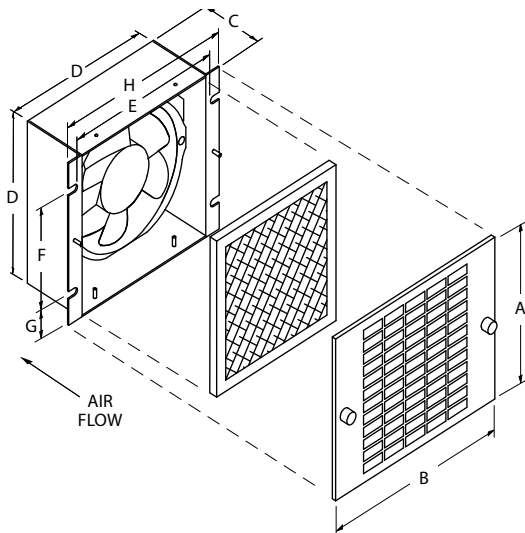
Industry Standards
UR, cUR, and CE recognized

FEATURES-SPECIFICATIONS

WPFB SERIES BOX FANS													
CATALOG NUMBER	FREE-FLOW AIR DELIVERY (CFM)	RATED VOLTAGE	NOMINAL (RPM)	RUNNING AMPS	WATTS	A	B	C	D	E	F	G	H
WPFB100115	105	115	3000	0.18	15	6.13 (156)	7.38 (188)	2.38 (61)	5.62 (143)	6.38 (162)	4.13 (105)	0.75 (19)	7.00 (178)
WPFB100230	105	230	3000	0.18	15	6.13 (156)	7.38 (188)	2.38 (61)	5.62 (143)	6.38 (162)	4.13 (105)	0.75 (19)	7.00 (178)
WPFB200115	210	115	3300	0.29	33	7.63 (194)	8.88 (226)	3.00 (76)	7.12 (181)	7.88 (200)	4.50 (114)	1.31 (33)	8.50 (216)
WPFB200230	210	230	3300	0.29	33	7.63 (194)	8.88 (226)	3.00 (76)	7.12 (181)	7.88 (200)	4.50 (114)	1.31 (33)	8.50 (216)
WPFB500115	560	115	1600	0.87	60	11.62 (295)	13.00 (330)	4.56 (116)	11.13 (283)	11.88 (302)	6.88 (175)	2.13 (54)	12.50 (318)
WPFB500230	560	230	1600	0.87	60	11.62 (295)	13.00 (330)	4.56 (116)	11.13 (283)	11.88 (302)	6.88 (175)	2.13 (54)	12.50 (318)

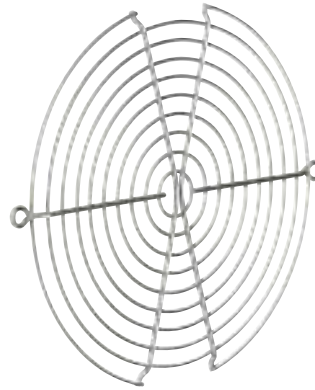
WPFBE SERIES EXHAUST GRILLES WITH FILTERS								
CATALOG NUMBER		A	B	D	E	F	G	W*
WITH FILTER	FILTER ONLY							
WPFBE100	WPFBM100	6.13 (156)	7.38 (188)	5.62 (143)	6.38 (162)	4.13 (105)	0.75 (19)	5.66 (144)
WPFBE200	WPFBM200	7.63 (194)	8.88 (226)	7.12 (181)	7.88 (200)	4.50 (114)	1.31 (33)	7.16 (182)
WPFBE500	WPFBM500	11.62 (295)	13.00 (330)	11.13 (283)	11.88 (302)	6.88 (175)	2.13 (54)	11.16 (283)

FILTER COAT	
CATALOG NUMBER	DESCRIPTION
WAX10	10 oz pump spray bottle





WA4AXFN



WAGARD6

FEATURES-SPECIFICATIONS

MUFFIN FANS & FINGER GUARDS

Applications

Designed for use in enclosures where space is limited and reliable cooling is required.

Features

- Fan furnished standard with 24" lead wire. 90 degree plug attached
- Black color
- Impeller and frame are glass reinforced thermoplastic, UL94-VO
- Die cast aluminum housing

- Finger guards are welded electroplated nickel chrome steel wire. Guards withstand 200 lbs. separation force to meet UL, CSA standards
- One finger guard and all mounting hardware is provided. Additional finger guards can be mounted on either side for maximum safety

WAXFN SERIES MUFFIN FANS & WAGARD SERIES FINGER GUARDS

CATALOG NUMBER		VOLTAGE RATING	RATED INPUT (WATTS)	FREQ (Hz)	RATED SPEED (RPM)	NOISE LEVEL	MAXIMUM AIR FLOW		MAXIMUM STATIC PRESSURE/H2O	DIMENSIONS H X W X D
FAN	FAN GUARD						(M3/MIN)	CFM		
WA4AXFN	WAGARD4	115	17/15	50/60	2500/3000	37 ± 2	2.5/3.1	88/110	5.8/7.0	4.71x4.71x1.50 (120x120x38)
WA4AXFN2	WAGARD4	230	17/15	50/60	3500/3000	37 ± 2	2.5/3.1	88/110	5.8/7.0	4.71x4.71x1.50 (120x120x38)
WA6AXFN	WAGARD6	115	26/35	50/60	2800/3500	46 ± 2	5.4/6.6	190/235	5.4/6.6	6.77x6.77x2.01 (172x172x51)
WA6AXFN2	WAGARD6	230	26/35	50/60	2800/3500	46 ± 2	5.4/6.6	190/235	5.4/6.6	6.77x6.77x2.01 (172x172x51)
WA10AXFN	WAGARD10	115	35	50/60	1650	55		547	10	10.00x10.00x3.50 (254x254x89)
WA10AXFN2	WAGARD10	230	33	50/60	1650	55		547	10	10.00x10.00x3.50 (254x254x89)

**ENVIRONMENTAL CONTROLS
WAVK, WAVK-SS & WAFLT LOUVER PLATE KITS & FILTER KITS**



WAVK0303SSA



WAFLT33

FEATURES-SPECIFICATIONS

LOUVER PLATE KITS

Description

Designed to provide ventilation or cooling in enclosures where excessive moisture or excessive internal heat is a problem. These kits are fabricated from 14 gauge steel and include all hardware for mounting. Kits are easily field installed by making a cutout of the proper size and attaching the louver plate in place. Finish is ANSI 61 gray polyester powder finish over phosphatized surfaces or 316 stainless steel. Filter kit must be ordered separately.

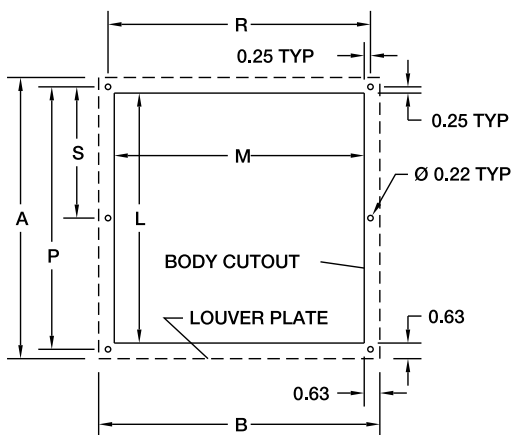
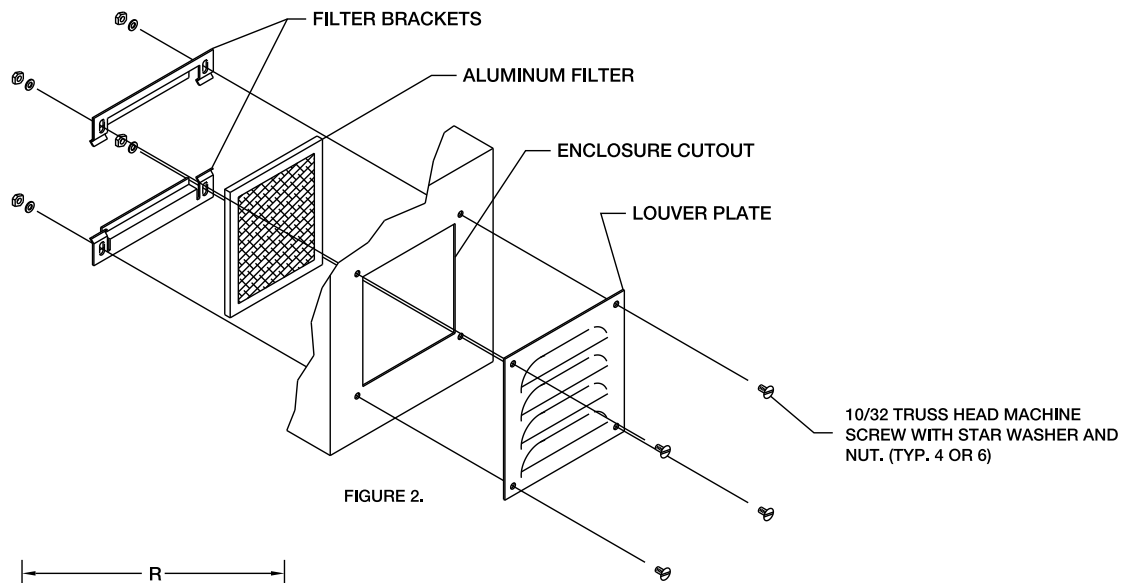
FILTER KITS FOR LOUVER PLATES KITS

Description

Designed for use with Louver Plate Kit. Mounting holes on filter brackets align with mounting holes on louver kits. Aluminum filters are good for stopping dust and dirt from penetrating the enclosures. Filters are designed to mount behind louver kits. Kit consists of aluminum filter, brackets and all necessary hardware for installation. Louver kit must be ordered separately.

WAVK SERIES LOUVER PLATE KIT AND WAFLT SERIES FILTER KITS FOR LOUVER PLATES												
CATALOG NUMBER			NUMBER OF LOUVERS	NUMBER OF LOUVER ROWS	LOUVER LENGTH	A	B	L	M	P	R	S
LOUVER KIT PAINTED	LOUVER KIT 316 S.S.	FILTER KIT										
WAVK0203	WAVK0203SSA	—	3	1	2.00 (51)	3.25 (83)	3.25 (83)	2.00 (51)	2.00 (51)	2.50 (64)	2.50 (64)	—
WAVK0303	WAVK0303SSA	WAFLT33	3	1	3.00 (76)	3.87 (98)	4.50 (114)	2.62 (67)	3.25 (83)	3.12 (79)	3.75 (95)	—
WAVK0304	WAVK0304SSA	WAFLT34	4	1	3.00 (76)	4.75 (121)	4.50 (114)	3.50 (89)	3.25 (83)	4.00 (102)	3.75 (95)	—
WAVK0404	WAVK0404SSA	WAFLT44	4	1	4.00 (102)	5.62 (143)	5.50 (140)	4.37 (111)	4.25 (108)	4.87 (124)	4.75 (121)	—
WAVK0604	WAVK0604SSA	WAFLT64	4	1	6.00 (152)	5.62 (143)	7.50 (191)	4.37 (111)	6.25 (159)	4.87 (124)	6.75 (171)	—
WAVK0606	WAVK0606SSA	WAFLT66	6	1	6.00 (152)	7.87 (200)	7.50 (191)	6.62 (168)	6.25 (159)	7.12 (181)	6.75 (171)	3.56 (90)
WAVK0806	WAVK0806SSA	WAFLT86	12	2	4.00 (102)	8.18 (208)	9.50 (241)	6.93 (176)	8.25 (210)	7.43 (189)	8.75 (222)	3.71 (94)
WAVK0808	WAVK0808SSA	WAFLT88	16	2	4.00 (102)	10.56 (268)	9.50 (241)	9.31 (236)	8.25 (210)	9.81 (249)	8.75 (222)	4.90 (124)
WAVK0812	WAVK0812SSA	WAFLT812	24	2	4.00 (102)	9.31 (236)	9.50 (241)	14.06 (357)	8.25 (210)	14.56 (370)	8.75 (222)	7.28 (185)

Note: Center holes (dimension "S") are not needed on any filter kits. Only 6 x 6 and larger louver kits require center holes.



Notes:

Installation Instructions

1. Make sure the proper louver kit and/or filter kit has been ordered.
2. Locate and mark holes and cutout as shown in figure 1.
3. Drill holes using a 7/32" drill bit making sure there are no electrical wires or internal components in the way.
4. Assemble louver kits and/or filter kits as shown in figure 2.

Note: After installation is complete, make sure louver and filter kits do not interfere with any internal or external equipment.



EHG030

Industry Standards

UL Recognized Component
 cUL Recognized Component
 CE Recognized

FEATURES-SPECIFICATIONS

Applications

Designed to provide enclosed electronic, pneumatic, hydraulic, and mechanical equipment with protection from low temperatures, condensation, and corrosion.

Features

- Positive Temperature Coefficient heater unit maintains a stable temperature environment within enclosures,

- allowing critical components to perform with consistent reliability for longer periods
- Expanded voltage range of 110V to 230V
- Heating body is extruded, black anodized, aluminum
- Easily installed by clip mounting on 35mm DIN rails
- Connection: Push-type terminals

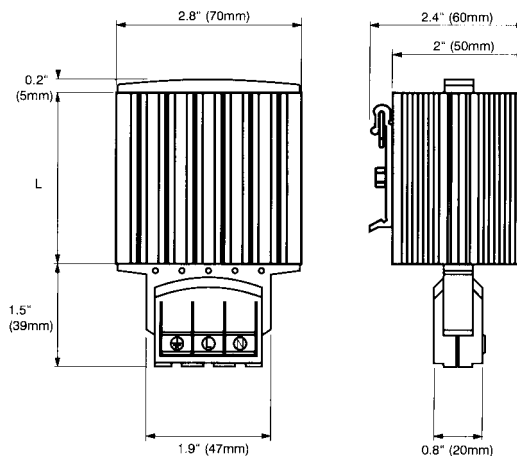
- Protection Class: 1 (tested for grounding at 1,600V)
- CAUTION — Do not mount on wooden structures. Avoid placement near heat-sensitive components

Accessories

- Thermostats (see pages K33-K34)

EHG SERIES ENCLOSURE RADIANT HEATERS				
CATALOG NUMBER	WATTS*	RATED VOLTAGE	Hz	DIMENSIONS H X W X D
EHG015	15	110 - 250	50/60	2.60x2.80x2.00 (65x70x50)
EHG030	30	110 - 250	50/60	2.60x2.80x2.00 (65x70x50)
EHG045	45	110 - 250	50/60	2.60x2.80x2.00 (65x70x50)
EHG060	60	110 - 250	50/60	5.50x2.80x2.00 (140x70x50)
EHG075	75	110 - 250	50/60	5.50x2.80x2.00 (140x70x50)
EHG100	100	110 - 250	50/60	5.50x2.80x2.00 (140x70x50)
EHG150	150	110 - 250	50/60	8.70x2.80x2.00 (220x70x50)

*Due to the nature of PTC heaters, the actual power rating of the heater can be up to 10% lower, or 5% higher than the nominal power rating at 68°F (20°C) ambient temperature.





WHVLO31100120

Industry Standards

UL Recognized Component
cUL Recognized Component
CE Recognized

FEATURES-SPECIFICATIONS

Applications

Used when larger heating capacities or internal forced air circulation is required and space is limited.

Features

- Compact design to prevent condensation or maintain minimum temperature in enclosures
- Cartridge heater heating element

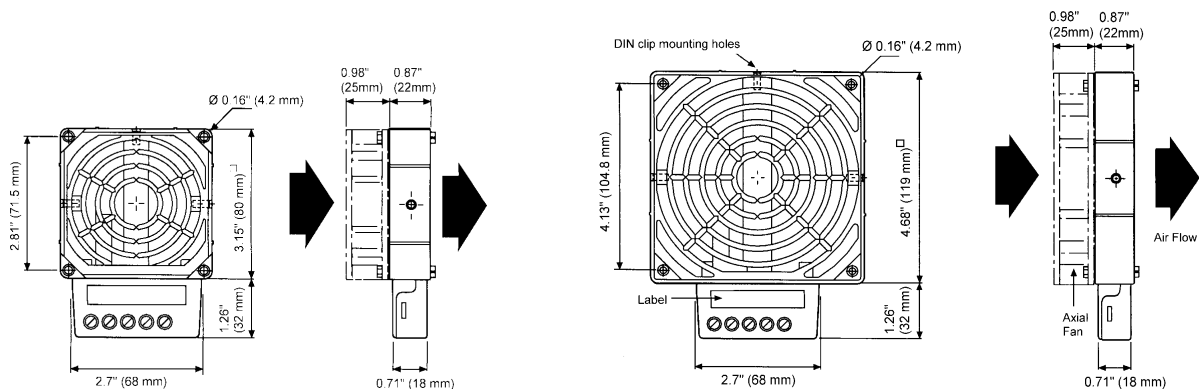
- 50,000 hour life expectancy at 77°F ambient
- Connection: 5 pole terminal for max. 14 AWG
- Easily installed by clip mounting on 35mm DIN rails
- Protection class 1 (tested for grounding at 1,500 V)
- Heater comes fully assembled with fan

- CAUTION — Do not mount on wooden structures. Avoid placement near heat-sensitive components. Note that fan must be used in conjunction with heating element

Accessories

- Thermostats (see pages K33-K34)
- Also available in 230 V

WHVL SERIES ENCLOSURE FAN HEATERS					
CATALOG NUMBER	RATED VOLTAGE	WATTS	OPERATING CURRENT (AMPS)	MAXIMUM TEMPERATURE WITH FAN	DIMENSIONS H X W X D
WHVLO31100120	120	100	0.89	250°F (120°C)	1.85x3.15x4.41(47x80x112)
WHVLO31150120	120	150	1.30	320°F (160°C)	1.85x3.15x4.41(47x80x112)
WHVLO31200120	120	200	1.79	250°F (120°C)	1.85x4.68x5.94(47x119x151)
WHVLO31300120	120	300	2.62	320°F (160°C)	1.85x4.68x5.94(47x119x151)
WHVLO31400120	120	400	3.45	360°F (180°C)	1.85x4.68x5.94(47x119x151)



100 & 150W Heaters

200, 300 & 400W Heaters



WCR027350120

Industry Standards

UL Recognized Component
cUL Recognized Component
CE Recognized

FEATURES-SPECIFICATIONS

Applications

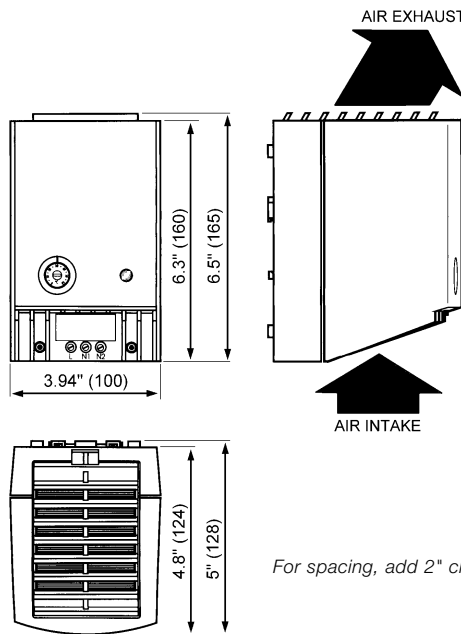
Designed to protect sensitive mechanical, electrical, and electronic equipment from the harmful effects of condensation, corrosion, and low temperatures. Thermostatically controlled fan-driven heater units maintain a stable temperature with enclosure so critical components can perform more reliably over a longer period of time.

Features

- Positive Temperature Coefficient (PTC) semiconductor heating element, self regulating and temperature limiting
- Adjustable thermostat
- LED lamp for optical indication of function
- Durable, non-metallic plastic housing, UL94-VO

- Connection: 2 - pole terminal, max. AWG 14
- Easily installed by clip-mounting on 35mm DIN rail
- CAUTION — Do not mount on wooden structures. Avoid placement near heat-sensitive components

WCR SERIES FAN HEATERS							
CATALOG NUMBER	RATED VOLTAGE	WATTS	MAX. AMPS (INRUSH CURRENT)	THERMOSTAT ADJUSTABLE FROM	AXIAL FAN BALL BEARING	TEMPERATURE SCALE	DIMENSIONS H X W X D
WCR027350120	120	550	11A	32-140°F (0-60°C)	20 CFM	Fahrenheit	6.50x3.94x5.00 (165x100x128)
WCR027350230	230	400	13A	32-140°F (0-60°C)	20 CFM	Celsius	6.50x3.94x5.00 (165x100x128)
WCR027550120	120	650	14A	32-140°F (0-60°C)	26 CFM	Fahrenheit	6.50x3.94x5.00 (165x100x128)
WCR027550230	230	550	15A	32-140°F (0-60°C)	26 CFM	Celsius	6.50x3.94x5.00 (165x100x128)



For spacing, add 2" clearance for heat sensitive parts



EGL250-120

Industry Standards

- UL Recognized Component
- cUL Recognized Component
- CE Recognized
- VDE Approval

FEATURES-SPECIFICATIONS

Applications

- Use when larger heating capacities or internal forced air circulation is required.
- Designed to prevent condensation or maintain minimum temperature in enclosures.

Features

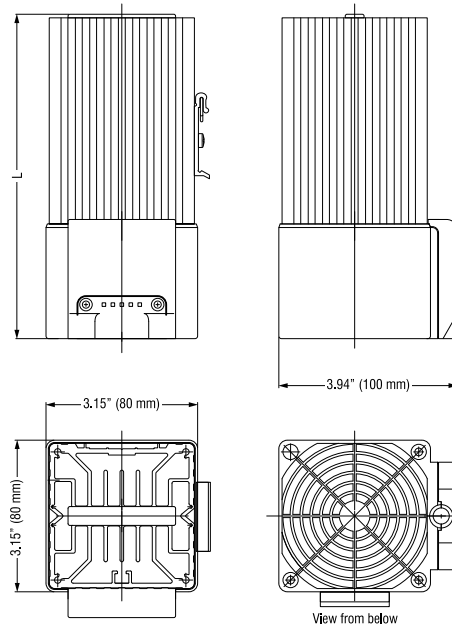
- Heating element is micanite with fail safe thermostat
- Silver, anodized aluminum extruded body
- Ball bearing life expectancy is 50,000 hrs. at 77°F (20°C)
- Connection: 3 pole terminal for AWG 16 max, with strain relief

- Easily installed by clip mounting on 35mm DIN rails
- CAUTION — Do not mount on wooden structures. Avoid placement near heat-sensitive components

Accessories

- Thermostats (see pages K33-K34)

EGL SERIES FAN HEATERS							
CATALOG NUMBER	RATED VOLTAGE	WATTS	STARTING AMPS	SURFACE TEMPERATURE	AXIAL FAN	CIRCULATION POWER	DIMENSIONS H X W X D
EGL250-120	120	250	2.2	167°F	Ball Bearing	32 CFM Free Blowing	7.20x3.15x3.94 (182x80x100)
EGL250	230	250	1.1	167°F	Ball Bearing	26 CFM Free Blowing	7.20x3.15x3.94 (182x80x100)
EGL400-120	120	400	3.5	167°F	Ball Bearing	32 CFM Free Blowing	8.70x3.15x3.94 (222x80x100)
EGL400	230	400	1.7	167°F	Ball Bearing	26 CFM Free Blowing	8.70x3.15x3.94 (222x80x100)



For spacing, add 2" clearance for heat sensitive parts



ETR202



ETR202F



ZR011

- Two thermostats in one unit
 - one Normally Closed (NC) and one Normally Open (NO)
 - or two Normally Open (NO)
- Each with wide adjustable temperature range
- Available with °F or °C scale
- DIN rail mountable

Industry Standards

UL Recognized Component
cUL Recognized Component
CE Recognized
CSA Rated

FEATURES-SPECIFICATIONS

Applications

ETR202C and ETR202F

- Designed to provide air temperature control and monitoring in switch gear enclosures that are set up to operate with heaters, fans, filter ventilators, heat exchangers, and/or signal transmitters.
- When the enclosure reaches the pre-determined set point, temperature contacts in the thermostat are activated and the fan or heater automatically begins to operate.
- Thermostats prolong the life expectancy of heaters and fans by curtailing their operating hours and also increase the working efficiency of electrical components by exposing them to fewer contaminants from the surrounding environment.

ZR011

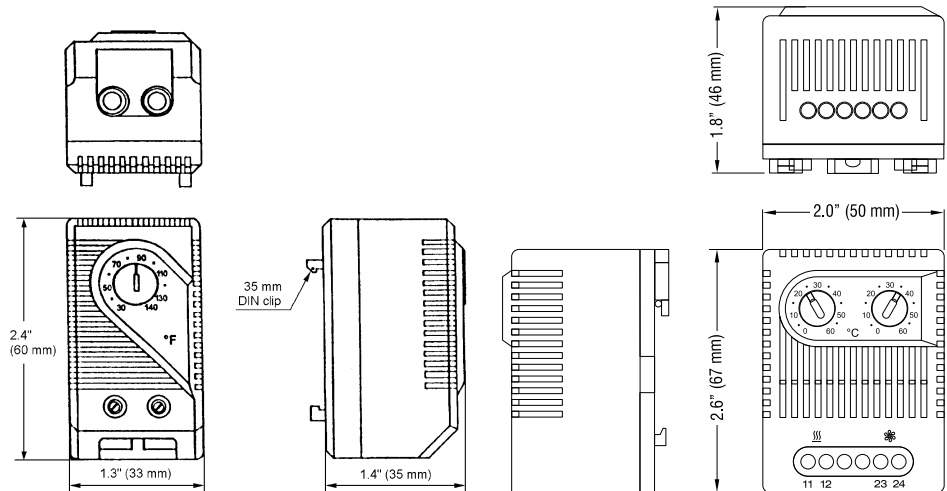
- The ZR011 houses two separate thermostats, allowing the independent control of heating and cooling or other equipment. Both thermostats offer wide adjustment ranges and are color coded for easy function recognition.
- Switching capacity:
NC: 10A resistive/2A inductive @ 250 VAC
NO: 5A resistive/2A inductive @ 250 VAC DC 30W

Features

- Normally Closed Thermostat — For the control of fan heaters and heaters
- Normally Open Thermostat — For the control of cooling units, fans, filter ventilators or switching, or signal transmitters in the event of overheating
- Available in Fahrenheit or Celsius scale
- Thermostatic bi-metallic sensor element
- Easily installed by clip mounting on 35mm or 38mm DIN rails

- Housing made from gray flame retardant UL94-VO plastic
- Connection: 2 pole terminal for max. 14 AWG
- Switching Difference (hysteresis): 12°F (7°C)
- Switching Capacity: 15 A (2) AC 120V, 10 A (2) AC 250V, 10A 12V DC, 5A 24V DC

ETR & ZR SERIES THERMOSTATS					
CATALOG NUMBER	TEMP. SCALE	TEMP. RANGE	SWITCHING	FOR PRODUCT TYPE	DIMENSIONS H X W X D
ETR202F	Fahrenheit	32-140°F	Normally Closed	Heating	2.40x1.30x1.40 (60x33x35)
ETR202	Celsius	0-60°C	Normally Closed	Heating	2.40x1.30x1.40 (60x33x35)
ETR201F	Fahrenheit	32-140°F	Normally Open	Cooling	2.40x1.30x1.40 (60x33x35)
ETR201	Celsius	0-60°C	Normally Open	Cooling	2.40x1.30x1.40 (60x33x35)
ZR011F	Fahrenheit	32-140°F	Normally Closed/ Normally Open	Heating/Cooling	2.60x2.00x1.80 (67x50x46)
ZR011C	Celsius	0-60°C	Normally Closed/ Normally Open	Heating/Cooling	2.60x2.00x1.80 (67x50x46)





ETF-3000

Industry Standards

UL Recognized Component
cUL Recognized Component
CE recognized

FEATURES-SPECIFICATIONS

Applications

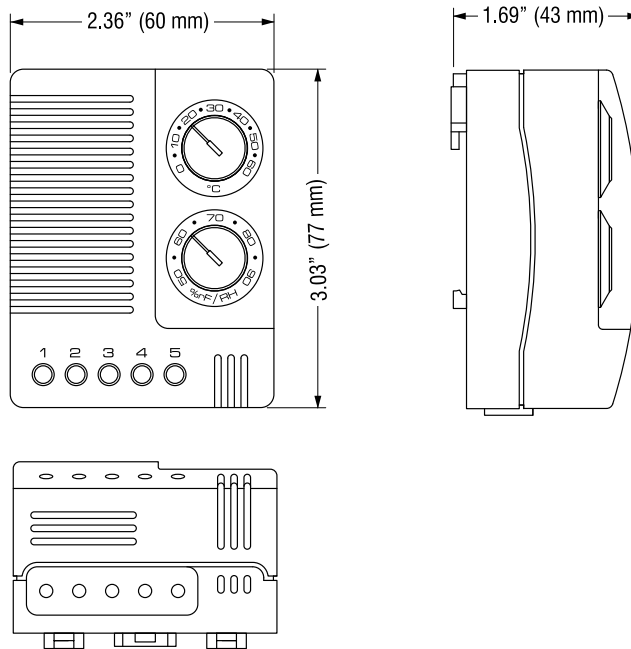
- Designed to provide both air temperature and humidity control as well as monitoring in electrical and electronic enclosures.
- Highly effective in ATM's, parking control gates, ticket dispensers and traffic control systems where equipment is exposed to wide range of outdoor elements.

Features

- Independently senses the relative humidity and temperature. Resistive and inductive loads (heaters or Filterfans™) can be switched
- 100,000 cycle life expectancy
- LED lamp for optical indication of function

- Durable, non metallic plastic gray housing, UL94-VO
- Easily installed by clip mounting on 35mm DIN rail
- Switching capacity: 8A(4) AC 240V, 0.8A DC 48V, 8A DC 24V

ETF SERIES FAN HEATERS							
CATALOG NUMBER	OPERATING VOLTAGE	TEMPERATURE SCALE	SWITCHING DIFFERENCE (HYSTERESIS)	RESPONSE TIME (SECONDS)	TEMPERATURE RANGE	RELATIVE HUMIDITY RANGE	DIMENSIONS H X W X D
ETF3000120F	120	Fahrenheit	Approx. 3.6°F (2°K)	Approx. 160	32-140°F	50 to 90%	2.64x1.97x1.54 (67x50x39)
ETF3000	230	Celsius	Approx. 3.6°F (2°K)	Approx. 160	0-60°C	50 to 90%	2.64x1.97x1.54 (67x50x39)





STFX05

FEATURES-SPECIFICATIONS

Applications

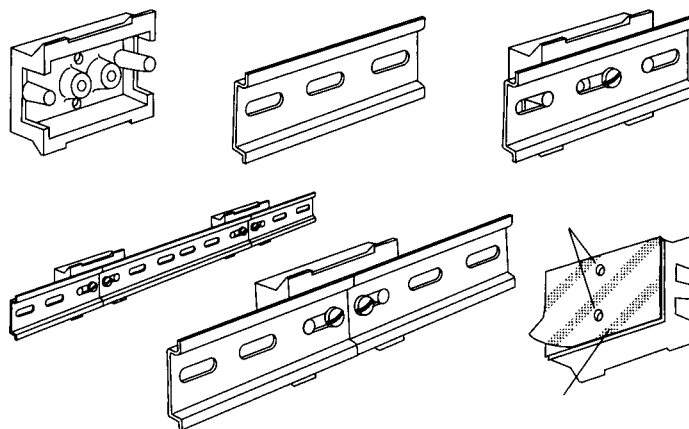
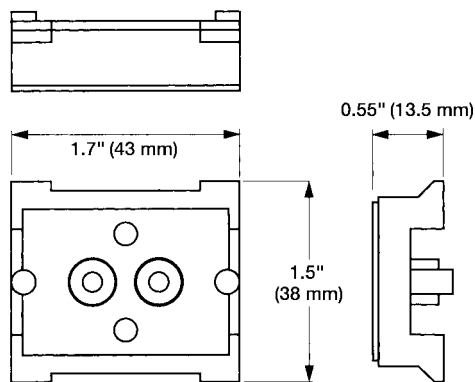
Effective substitute for DIN rail or "Unistrut". Multipurpose mounting device which allow the mounting of small DIN rail mountable appliances reducing time and labor.

Features

- Provides direct snap-in mounting for thermostats, time relays, small heaters, terminals, and other appliances with DIN rail mounting or by the use of screw holes
- Manufactured from black UL94-VO polyamide material
- Included self adhesive bears continuous loads of 1.1 lbs. (after 24 hours)
- Holes for screw mounting are provided for heavy applications

STFX SERIES UNIVERSAL THERMOSTAT MOUNT				
CATALOG NUMBER	HOLDING CAPACITY	PACKAGE QUANTITY*	TEMP. RANGE OF MOUNTING MATERIAL	DIMENSIONS H X W X D
STFX05	.44 lbs. (200g) initially 1.1 lbs. (500g) after 24 hour curing period	5	-22-131°F (-30-55°C)	1.50x1.70x.55 (38x43x14)

*Sold in package quantity only





WAFMP4

FEATURES-SPECIFICATIONS

Fan Mounting Plate

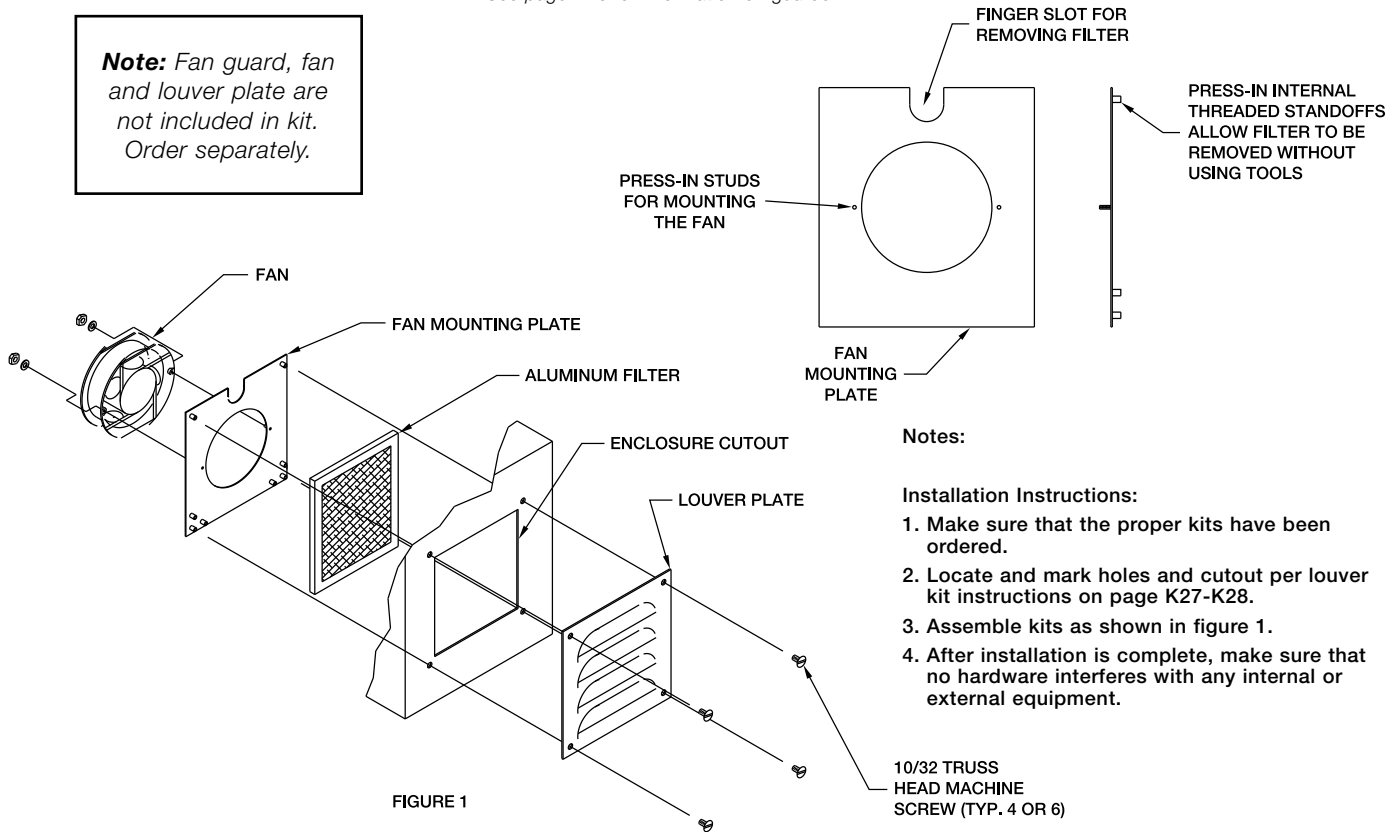
Description

Designed to mount a fan and louver kit together. This fan mounting plate kit consists of a fan mounting plate, filter and all necessary hardware for installation. When ordering a fan mounting plate, you will need to order a fan, louver kit and a fan guard. Fans, louver kits and fan guards must be ordered separately.

WAFMP SERIES FAN MOUNTING PLATE			
CATALOG NUMBER			
FAN, FILTER & LOUVER MOUNTING PLATE KIT	FAN*	LOUVER KIT PAINTED**	FAN GUARD ***
WAFMP4	WA4AXFN	WAVK0606	WAGARD4
WAFMP4	WA4AXFN2	WAVK0606	WAGARD4
WAFMP6	WA6AXFN	WAVK0808	WAGARD6
WAFMP6	WA6AXFN2	WAVK0808	WAGARD6
WAFMP10	WA10AXFN	WAVK0809	WAGARD10
WAFMP10	WA10AXFN2	WAVK0809	WAGARD10

*See page K26 for information on fans.
 **See page K27 for information on louver kits.
 ***See page K26 for information on guards.

Note: Fan guard, fan and louver plate are not included in kit. Order separately.





SERIES 1803



SERIES 1800, 1801, 1802

CE Industry standards
 IP54
 IP55 (with fine filter mat)
 UR Recognized component

FEATURES-SPECIFICATIONS

Application

- The latest passive technology for fan cooling and pressurizing of industrial enclosures
- Filtered passive ventilation can be provided by an exhaust filter for either convection cooling or in combination with a fan in forced air cooling

Features

- All four models are available in 120 and 230 volt with an expected service life of 50,000 hours
- Self-adhesive seal on mounting frame prevents dust and water from entering the enclosure

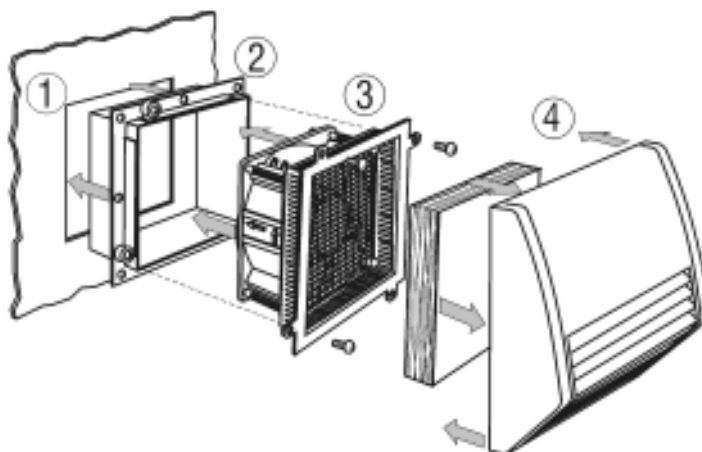
- The functional design of the intake exhaust fan hoods minimize direct infiltration of falling water
- By simply turning the axial fan, the direction of the airflow can be changed by 180 degrees
- Air Channeling makes the filter fan particularly quiet in operation
- Plastic self-extinguishing UL94-V0 and temperature resistant -31F to 158F
- Durable, reusable medium filter mat included
- RAL7035 Light Gray Finish
- Ball Bearing Axial Fan with plastic impeller UL94V-01. 2 lead wires 4" long (pressure clamps inclusive)

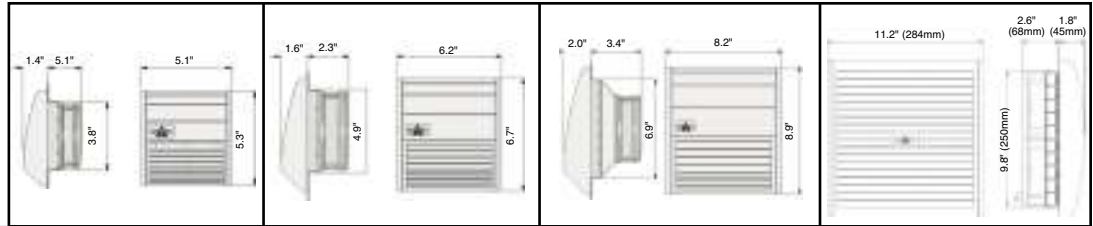
Time-Saving Steps

1800 Series Fans can be easily connected and installed from the outside of the cabinet.

1. Remove protective film from the sealing strips provided on the mounting frame
2. Insert mounting frame into enclosure cutout.
3. Terminate the axial fan with push type connectors and slide the unit into the mounting frame.
4. Insert the Filter Mat and snap on the protective Hood.

Time-Saving Assembly and Maintenance





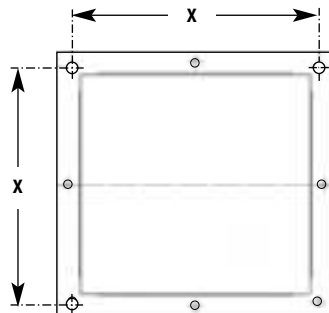
1800 SERIES FILTER FAN				
Catalog No. (for 120V 60Hz)	W01800120-4	W01801120-5	W01802120-7	W01803120-10
Catalog No. (for 230V 50Hz)	W01800230-4	W01801230-5	W01802230-7	W01803230-10
Filter mat: Medium grade		350 g/m ² , filtering degree 83%, Particle < 10 μm, G4(EN779)		
Air volume				
free blowing:	12 cfm (21 m ³ /h)	35 cfm (55 m ³ /h)	60 cfm (102 m ³ /h)	176 cfm (300 m ³ /h)
with exhaust filter:	9 cfm (16 m ³ /h)	24 cfm (42 m ³ /h)	40 cfm (68 m ³ /h)	135 cfm (230 m ³ /h)
Current consumption 120V	160 mA	180 mA	180 mA	400 mA
230V	80 mA	100 mA	100 mA	700 mA
Power consumption 120V	13W	15W	15W	60W
230V	13W	15W	15W	60W
Average noise level at 3 ft				
DIN EN ISO 9614-2	31 dB (A)	40 dB (A)	39 dB (A)	53 dB (A)
Mounting depth	1.8" (45 mm)	2.3" (58 mm)	3.4" (86 mm)	2.6" (65 mm)
Enclosure cut-out	3.8" x 3.8" (97 x 97mm +0.4)	4.9" x 4.9" (125 x 125mm +0.4)	6.9" x 6.9" (176 x 176mm +0.4)	9.84" x 9.84" (250 x 250mm)
Weight	1.2 lbs (0.54 kg)	2.2 lbs (1.0 kg)	4.2 lbs (1.9 kg)	7.7 lbs (3.5 kg)
120V / 60Hz models have increased air volume performance of approx. 15%				

1800 SERIES EXHAUST GRILLE & FILTER				
Catalog No.	W11800F-4	W11801F-5	W11802F-7	W11803F-10
Filter mat: Medium grade	350 g/m ² , filtering degree 94%, Particle Ø to 10 μm, G4 (DIN 24185)			
Mounting depth	0.6" (16 mm)	0.6" (16 mm)	0.6" (16 mm)	9" (22 mm)
Enclosure cut-out	3.8" x 3.8" (97 x 97mm +0.4)	4.9" x 4.9" (125 x 125mm +0.4)	6.9" x 6.9" (176 x 176mm +0.4)	9.8" x 9.8" (250 x 250mm +.4)
Weight	0.6 lbs (0.27 kg)	0.8 lbs (0.38 kg)	1.3 lbs (0.60 kg)	2.1 lbs (95 kg)

REPLACEMENT FILTER MATS*				
Medium filter (G4)	MM08600-4	MM08601-5	MM08602-7	MM08608-10
Fine filter (F5)	FM08603-4	FM08604-5	FM08605-7	FM08609-10

*Box of (3)

MOUNTING FRAME	HOLE CENTERS FOR ATTACHING WITH SCREWS - HOLE Ø 1/8" (3MM)			
	X = 4.3" (109 mm)	X = 5.4" (137 mm)	X = 7.4" (188 mm)	X = 10.4" (264 mm)





WPF10-115BK

Industry Standards

UR, cUR, and CE recognized
IP43
(IP54 with optional WPFG Series gasket)

FEATURES-SPECIFICATIONS

Applications

- Most innovative technology for fan cooling and pressurizing of industrial enclosures
- Provides a high quality, economical method of cooling enclosures
- Filtered passive ventilation can be provided by an exhaust filter for either convection cooling or in combination with a fan in forced air cooling
- Slim line design allows grille to protrude from enclosure surface less than one quarter inch
- Maintains aesthetics of enclosure

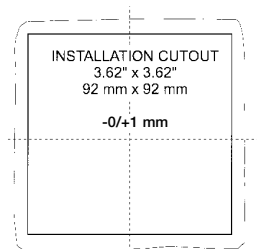
Features

- All models are 115V with an expected service life of 30,000 hours
- High performance fan motors and finger guards
- Polycarbonate fire retardant plastic grilles, UL94-VO
- Durable, reusable filter mat included
- Grilles are available in black or beige
- Patented "Click and Fit" system allows for rapid filter fan and exhaust filter installation without screws; this time saving feature will cut installation time by up to 30 minutes from traditional box fan packages

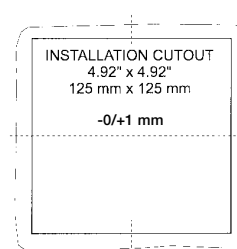
- Cutout template provided with every unit
- Fan or exhaust filter simply snaps into cutout opening
- Connector type: WPF10 Series 2, 12" wires. WPF20 – WPF60 Series terminal strip

Accessories

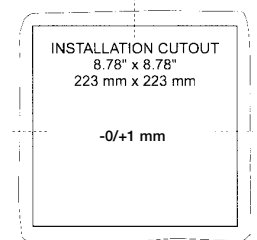
- Exhaust Filters
- Gaskets (WPFG Series) recommended if installing on enclosure with textured finish (only WPF10)
- Replacement Filters



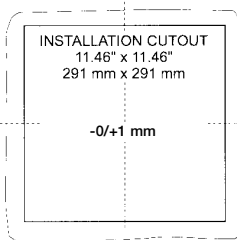
WPF10



WPF20



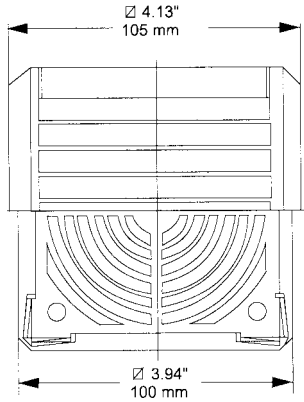
**WPF25
WPF30**



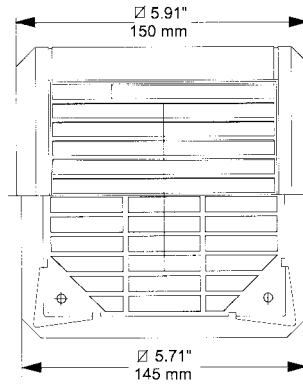
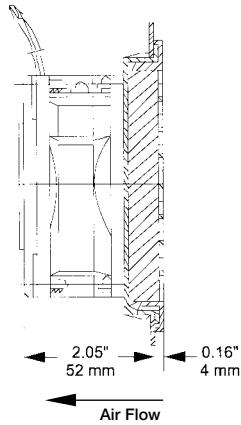
**WPF50
WPF60**

CATALOG NUMBER		RATED VOLTAGE	FREE FLOW AIR DELIVERY (CFM)*	AIR DELIVERY W/EXHAUST (CFM)	MAX. STATIC PRESSURE (PA)	AMBIENT TEMP. DEGREE F MAX/MIN	FILTER DENSITY (G/M2)	FILTERING LEVEL	SOUND LEVEL (DB)	REQUIRED CUT OUT DIMENSION
BLACK GRILLE	BEIGE GRILLE									
WPF10-115BK	WPF10-115	115V	16.22	10.12	29.00	140/14	150.00	67%	39	3.62x3.62 (92x92)
WPF20-115BK	WPF20-115	115V	37.95	28.41	69.00	122/14	350.00	83%	49	4.92x4.92 (125x125)
WPF25-115BK	WPF25-115	115V	88.67	62.29	57.00	122/14	350.00	83%	55	8.78x8.78 (223x223)
WPF30-115BK	WPF30-115	115V	168.59	142.14	89.00	122/14	350.00	83%	55	8.78x8.78 (223x223)
WPF50-115BK	WPF50-115	115V	312.11	236.90	205.00	122/14	350.00	83%	69	11.46x11.46 (291x291)
WPF60-115BK	WPF60-115	115V	423.09	304.64	225.00	122/14	350.00	83%	71	11.46x11.46 (291x291)

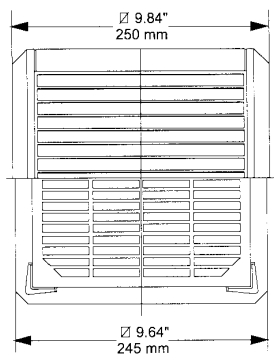
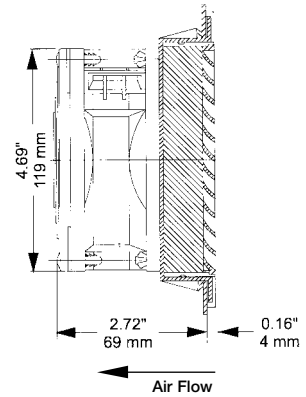
*Add 15% for operation @ 60Hz



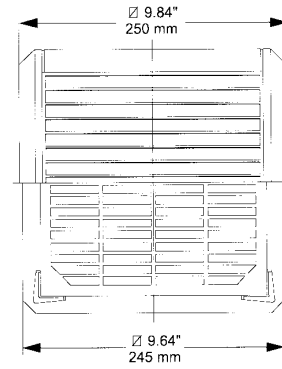
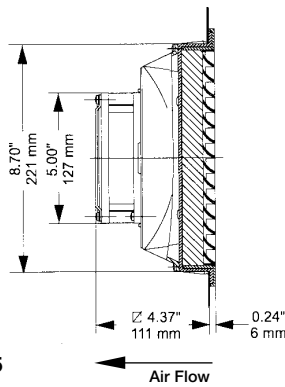
WPF10



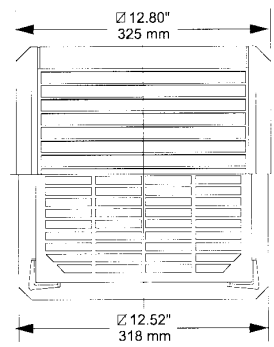
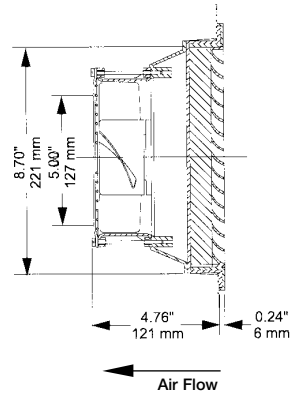
WPF20



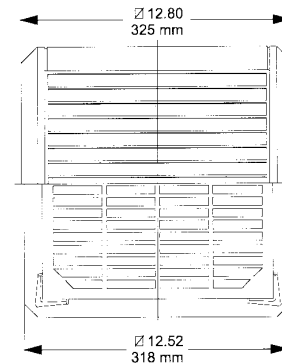
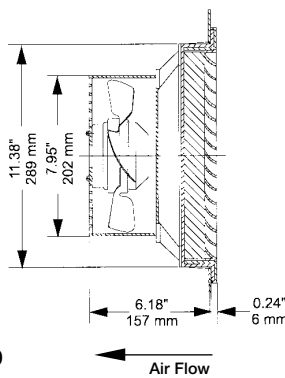
WPF25



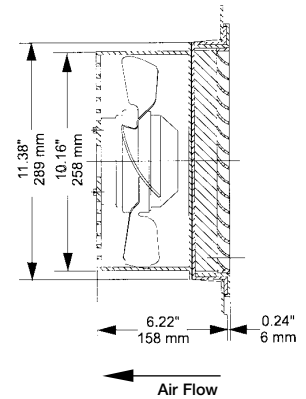
WPF30



WPF50



WPF60



**ENVIRONMENTAL CONTROLS
WPFA SERIES EXHAUST GRILLE WITH FILTER**



WPFA10BK



WPFA10

Industry Standards

IP43
(IP54 with optional WPFG Series gasket)

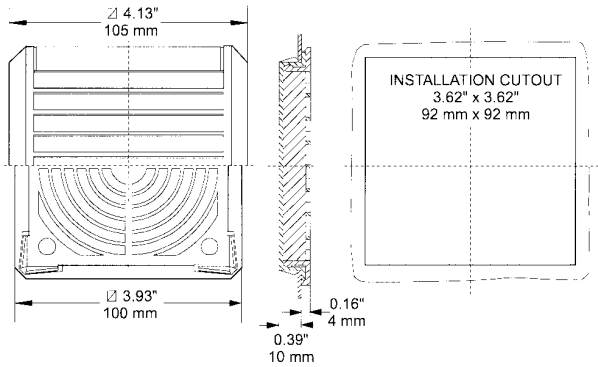
Applications

- Polycarbonate fire retardant plastic grilles, UL94-VO
- Durable, reusable filter mat included
- Grilles are available in black or beige

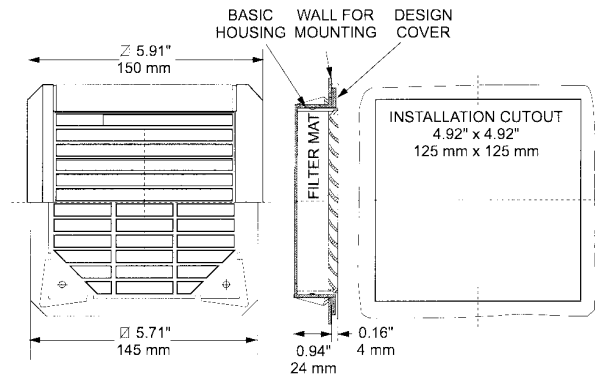
Accessories

- Gaskets (WPFG series) recommended if installing on enclosure with textured finish

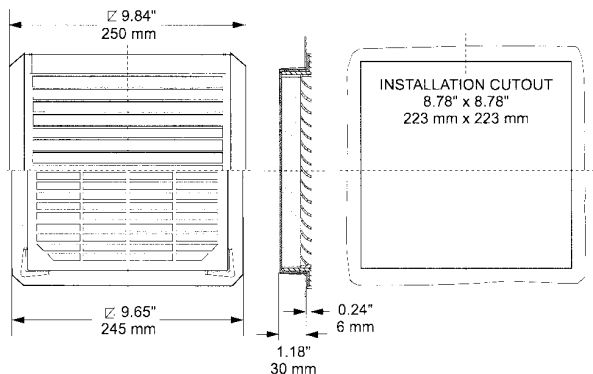
CATALOG NUMBER		FILTER DENSITY (G/M ²)	FILTERING LEVEL	REQUIRED CUT OUT DIMENSIONS
BLACK GRILLE	BEIGE GRILLE			
WPFA10BK	WPFA10	150	67%	3.60x3.60/92x92
WPFA20BK	WPFA20	350	83%	4.90x4.90/125x125
WPFA25/30BK	WPFA25/30	350	83%	8.80x8.80/223x223
WPFA50/60BK	WPFA50/60	350	83%	11.50x11.50/291x291



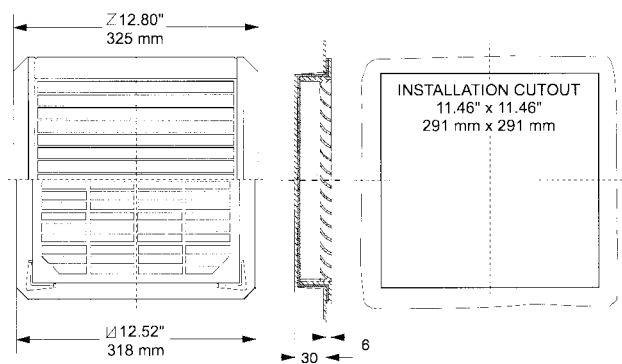
WPFA 10



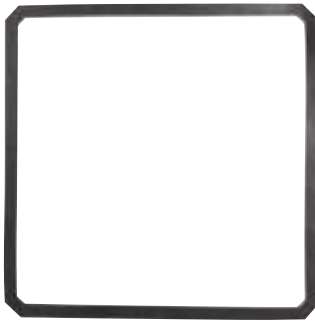
WPFA 20



WPFA 25/30



WPFA 50/60



WPGF25/30



WPFM20



WPG1BK



WPG25/30BE

FEATURES-SPECIFICATIONS

GASKETS FOR FILTERFANS™

Applications

- Packaged individually
- Provides added sealing protection
- Recommended when fans or exhaust grilles are installed on enclosures with textured finishes
- Changes Filter Fan rating from IP43 to IP 54 when installed

WPGF SERIES GASKET FOR FILTERFANS™		
CATALOG NUMBER		
GASKET	USE WITH FILTER FAN NO.	USE WITH EXHAUST GRILLE NO.
WPGF10	WPF10-115BK WPF10-115	WPFA10BK WPFA10
WPGF20	WPF20-115BK WPF20-115	WPFA20BK WPFA20
WPGF25/30	WPF25-115BK WPF30-115BK WPF25-115 WPF30-115	WPFA25BK WPFA30BK WPFA25 WPFA30
WPGF50/60	WPF50-115BK WPF60-115BK WPF50-115 WPF60-115	WPFA50BK WPFA60BK WPFA50 WPFA60

AC & FILTERFAN™ REPLACEMENT FILTER MATS

Applications

Replacement filter mat for WPF-115 Series Filterfans and WPFA Series Exhaust Grilles.

Features

- Packaged in quantities of 5
- Made of synthetic fibers
- Re-usable up to 20 times
- 100% resistant to humidity

AC & FILTERFAN™ REPLACEMENT FILTER MATS						
FILTER CATALOG NUMBER	USE WITH FILTER FAN OR A/C SERIES	USE WITH EXHAUST GRILLE	MASS FILTER LEVEL %	FILTER DENSITY (G/M2)	H	W
WPFM10	WPF10-115	WPFA10	67	150	3.40 (85)	3.40 (85)
WPFM20	WPF20-115	WPFA20	83	350	4.50 (115)	4.50 (115)
WPFM25/30	WPF25-115 WPF30-115	WPFA30	83	350	8.30 (210)	8.30 (210)
WPFM50/60	WPF50-115 WPF60-115	WPFA50	83	350	11.00 (280)	11.00 (280)
WPFM25/30AC	WDTS1200-6000	—	83	150	8.30 (210)	8.3 (210)
WPFM50/60AC	WDTS8000-12000	—	83	150	11.00 (280)	11.00 (280)
WPFMDTTAC	WDTT3500-4500	—	83	150	11.81 (300)	11.81 (300)

FILTERFAN™ REPLACEMENT GRILLES

Features

- Packaged individually
- Grille only replacement for filter fans
- Available in black or beige

FILTERFAN™ REPLACEMENT GRILLES						
CATALOG NUMBER						
BLACK GRILLE	BEIGE GRILLE	USE WITH A/C UNIT GRILLE	BLACK GRILLE FOR FILTER FAN	BEIGE GRILLE FOR FILTER FAN	BLACK GRILLE FOR EXHAUST GRILLE W/FILTER	BEIGE GRILLE FOR EXHAUST GRILLE W/FILTER
WPG1BK	WPG1BE	—	WPF10-115BK	WPF10-115	WPFA10BK	WPFA10
WPG2BK	WPG2BE	—	WPF20-115BK	WPF20-115	WPFA20BK	WPFA20
WPG3BK	WPG3BE	WDTS1200-6000	WPF25-115BK WPF30-115BK	WPF25-115 WPF30-115	WPFA25BK WPFA30BK	WPFA25 WPFA30
WPG5BK	WPG5BE	WDTS6000-12000	WPF50-115BK WPF60-115BK	WPF50-115 WPF60-115	WPFA50BK WPFA60BK	WPFA50 WPFA60

NOTES

Industry Definitions

The National Electrical Manufacturers Association (NEMA) is a US Manufacturers Organization which actively promotes standardized product specifications for electrical apparatus. While NEMA does not actually test products, it establishes the performance criteria for enclosures intended for specific environments.

NEMA standards describe each type of enclosure in general and functional terms, and specifically omits reference to construction details. In other words NEMA specifies what an enclosure must do, not how to manufacture it. This is also true about the EN 60.529/IEC 529.

NEMA performance criteria and test methods are used by Underwriters Laboratories (UL) and Canadian Standards Association (CSA) as guidelines for investigation and listing of electrical enclosures.

The tested enclosures are then authorized to carry a label by UL or CSA to prove it has passed the required tests and meets the applicable UL and CSA standard.

NEMA CLASSIFICATIONS**Definitions – Non-Hazardous Locations****Type 1**

Enclosures are intended for indoor use primarily to provide a degree of protection against contact with the enclosed equipment. NEMA Standard 1-10-1979.

Type 2

Enclosures are intended for indoor use primarily to provide a degree of protection against limited amounts of falling water and dirt. NEMA Standard 1-10-1979.

Type 3

Enclosures are intended for outdoor use primarily to provide a degree of protection against windblown dust, rain, sleet, and external ice formation. NEMA Standard 1-10-1979.

Type 3R

Enclosures are intended for outdoor use primarily to provide a degree of protection against falling rain, sleet, and external ice formation. (May be ventilated). NEMA Standard 1-10-1979.

Type 3S

Enclosure are intended for outdoor use primarily to provide a degree of protection against windblown dust, rain, sleet, and to provide for operation of external mechanisms when ice laden. NEMA Standard 1-10-1979.

Type 4

Enclosures are intended for indoor or outdoor use primarily to provide a degree of protection against wind-blown dust and rain, splashing water, and hose-directed water. NEMA Standard 1-10-1979.

Type 4X

Enclosures are intended for indoor or outdoor use primarily to provide a degree of protection against corrosion, windblown dust and rain, splashing water, and hose-directed water. NEMA Standard 1-10-1979.

Type 5

Enclosures are intended for indoor use primarily to provide a degree of protection against settling airborne dust, falling dirt, and dripping non-corrosive liquids. NEMA Standard 5-25-1988.

Type 6

Enclosures are intended for indoor or outdoor use primarily to provide a degree of protection against the entry of water during occasional, temporary submersion at a limited depth. NEMA Standard 1-10-1979.

Type 6P

Enclosures are intended for indoor or outdoor use primarily to provide a degree of protection against the entry of water during prolonged submersion at a limited depth. NEMA Standard 1-10-1979.

Type 11

Enclosures are intended for indoor use primarily to provide, by oil submersion, a degree of protection to enclosed equipment against the corrosive effects of liquids and gases. NEMA Standard 1-10-1979.

Type 12

Enclosures are intended for indoor use primarily to provide a degree of protection against dust, falling dirt, and dripping non-corrosive liquids. NEMA Standard 1-10-1979.

Type 12K

Enclosures with knock-outs are intended for indoor use primarily to provide a degree of protection against dust, falling dirt, and dripping non-corrosive liquids other than at knock-outs. NEMA Standard 1-10-1979.

Type 13

Enclosures are intended for indoor use primarily to provide a degree of protection against dust, spraying of water, oil, and non-corrosive coolant. NEMA Standard 1-10-1979.

Definitions – Hazardous Locations**Type 7**

Enclosures are for use indoors in locations classified as Class I, Groups A, B, C, or D, as defined in the National Electrical Code. NEMA Standard 1-10-1979.

Type 8

Enclosures are for indoor or outdoor use in locations classified as Class I, Groups A, B, C, or D, as defined in the National Electrical Code. NEMA Standard 1-10-1979.

Type 9

Enclosures are for indoor use in locations classified as Class II, Groups E, F, or G as defined in the National Electrical Code. NEMA Standard 5-19-1986.

Type 10

Enclosures are constructed to meet the applicable requirements of the Mine Safety and Health Administration. NEMA Standard 1-10-1979.

ENCLOSURE DEFINITIONS AND CLASSIFICATIONS TECHNICAL DATA

L3

ENCLOSURE TYPES NON-HAZARDOUS LOCATIONS			
TYPE DESIGNATION	NATIONAL ELECTRICAL MANUFACTURERS ASSOCIATION (NEMA STANDARD 250) AND ELECTRICAL AND ELECTRONIC MFG. ASSOCIATION OF CANADA (EEMAC)	UNDERWRITERS LABORATORIES INC. (UL 50 AND UL 508)	CANADIAN STANDARDS ASSOCIATION (STANDARD C22.2 NO. 94)
1	Enclosures are intended for indoor use primarily to provide a degree of protection against contact with the enclosed equipment or locations where unusual service conditions do not exist.	Indoor use primarily to provide protection against contact with the enclosed equipment and against a limited amount of falling dirt.	General purpose enclosure. Protects against accidental contact with live parts.
2	Enclosures are intended for indoor use primarily to provide a degree of protection against limited amounts of falling water and dirt.	Indoor use to provide a degree of protection against limited amounts of falling water and dirt.	Indoor use to provide a degree of protection against dripping and light splashing of non-corrosive liquids and falling dirt.
3	Enclosures are intended for outdoor use primarily to provide a degree of protection against wind-blown dust, rain, and sleet; undamaged by the formation of ice on the enclosure.	Outdoor use to provide a degree of protection against windblown dust and windblown rain; undamaged by the formation of ice on the enclosure.	Indoor or outdoor use; provides a degree of protection against rain, snow, and windblown dust; undamaged by the external formation of ice on the enclosure.
3R	Enclosures are intended for outdoor use primarily to provide a degree of protection against falling rain and sleet; undamaged by the formation of ice on the enclosure.	Outdoor use to provide a degree of protection against falling rain; undamaged by the formation of ice on the enclosure.	Indoor or outdoor use; provides a degree of protection against rain and snow; undamaged by the external formation of ice on the enclosure.
4	Enclosures are intended for indoor or outdoor use primarily to provide a degree of protection against windblown dust and rain, splashing water, and hose-directed water; undamaged by the formation of ice on the enclosure.	Either indoor or outdoor use to provide a degree of protection against falling rain, splashing water, and hose-directed water; undamaged by the formation of ice on the enclosure.	Indoor or outdoor use; provides a degree of protection against rain, snow, windblown dust, splashing and hose-directed water; undamaged by the external formation of ice on the enclosure.
4X	Enclosures are intended for indoor or outdoor use primarily to provide a degree of protection against corrosion, windblown dust and rain, splashing water, and hose-directed water; undamaged by the formation of ice on the enclosure.	Either indoor or outdoor use to provide a degree of protection against falling rain, splashing water, and hose-directed water; undamaged by the formation of ice on the enclosure; resists corrosion.	Indoor or outdoor use; provides a degree of protection against rain, snow, windblown dust, splashing and hose-directed water; undamaged by the external formation of ice on the enclosure; resists corrosion.
6	Enclosures are intended for use indoors or outdoors where occasional submersion is encountered.	Indoor or outdoor use to provide a degree of protection against entry of water during temporary submersion at a limited depth; undamaged by the formation of ice on the enclosure.	Indoor or outdoor use; provides a degree of protection against the entry of water during temporary submersion at a limited depth; undamaged by the external formation of ice on the enclosure; resists corrosion.
12	Enclosures are intended for indoor use primarily to provide a degree of protection against dust, falling dirt, and dripping non-corrosive liquids.	Indoor use to provide a degree of protection against dust, dirt, fiber flyings, dripping water, and external condensation of non-corrosive liquids.	Indoor use; provides a degree of protection against circulating dust, lint, fibers, and flyings; dripping and light splashing of non-corrosive liquids; not provided with knockouts.
13	Enclosures are intended for indoor use primarily to provide a degree of protection against dust, spraying of water, oil, and non-corrosive coolant.	Indoor use to provide a degree of protection against lint, dust seepage, external condensation and spraying of water, oil, and non-corrosive liquids.	Indoor use; provides a degree of protection against circulating dust, lint, fibers, and flyings; seepage and spraying of non-corrosive liquids, including oils and coolants.

This material is reproduced from NEMA. The preceding descriptions, however, are not intended to be complete representations of National Electrical Manufacturers Association standards for enclosures nor those of the Electrical and Electronic Manufacturers Association of Canada.

This material is reproduced from Underwriters Laboratories Inc. Standard for Safety for Cabinets and Boxes, UL 50, Copyright 1997 and Industrial Control Equipment, UL 508, Copyright 1996 by Underwriters Laboratories Inc.

Underwriters Laboratories Inc. (UL) shall not be responsible to anyone for the use of or reliance upon a UL Standard by anyone. UL shall not incur any obligation or liability for damages, including consequential damages, arising out of or connection with the use, interpretation of, or reliance upon a UL Standard.

This material is reproduced from the Canadian Standards Association.

COMPARISON OF SPECIFIC NON-HAZARDOUS APPLICATIONS INDOOR LOCATIONS											
PROVIDES A DEGREE OF PROTECTION AGAINST THE FOLLOWING ENVIRONMENTAL CONDITIONS	TYPE OF ENCLOSURE										
	1*	2*	4	4X	5	6	6P	11	12	12K	13
Incidental contact with the enclosed equipment	•	•	•	•	•	•	•	•	•	•	•
Falling dirt	•	•	•	•	•	•	•	•	•	•	•
Falling liquids and light splashing		•	•	•		•	•	•	•	•	•
Dust, lint, fibers, and flyings†			•	•	•	•	•		•	•	•
Hose down and splashing water			•	•		•	•				
Oil and coolant seepage									•	•	•
Oil or coolant spraying and splashing											•
Corrosive agents				•			•	•			
Occasional temporary submersion						•	•				
Occasional prolonged submersion							•				

**These enclosures may be ventilated. However, Type 1 may not provide protection against small particles of falling dirt when ventilation is provided in the enclosure top.*

†These fibers and flyings are non-hazardous materials and are not considered Class III type ignitable fibers or combustible flyings. For Class III type ignitable fibers or combustible flyings see the National Electrical Code, Section 500-6(a).

In order to protect the sometimes delicate equipment against foreign objects there are protection standards developed which grade the degree of protection level achieved. It is important to know that there are two such standards for the degree of protection by an enclosure.

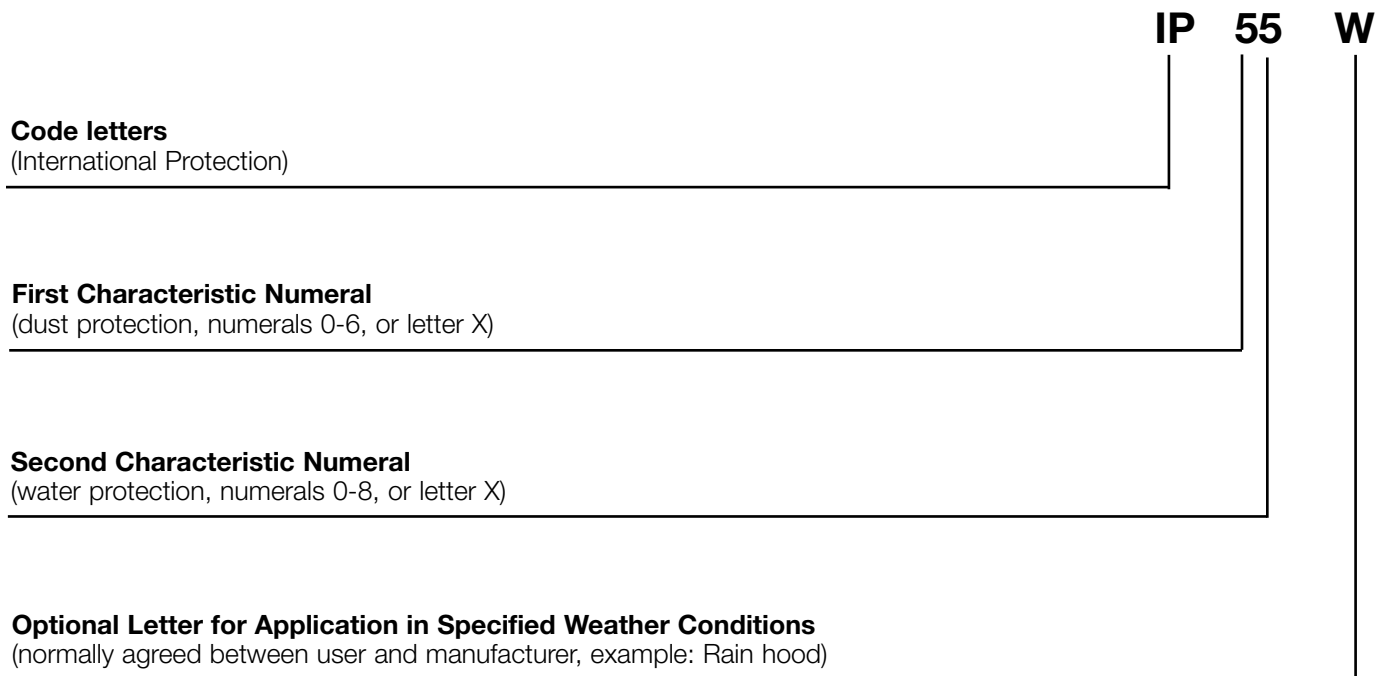
- The European specification: IP-code according to EN 60.529 / IEC 529
- The American specification: TYPE-code according to NEMA 250

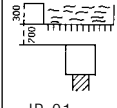
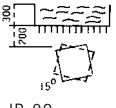
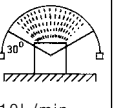
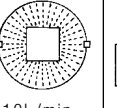
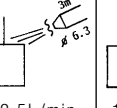
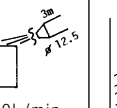
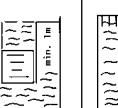
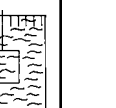
The European IP-Code

To help the design engineer identify the degree of protection provided by an enclosure, EN60.529/IEC 529 (International Electrotechnical Commission) was introduced. The latest version was issued 11/89. (Correct at date of printing). Both harmonized standards classify the extent to which an enclosure will resist the ingress of solid bodies and water under designated tests.

After successful testing the enclosure will be allocated a classification code with the letters IP (International Protection) prefixing that code.

Further explanation of the degree of protection provided by an enclosure indicated by the IP-code is detailed below:



THE IP SCALE										
1ST NUMERAL: DEGREE OF PROTECTION WITH RESPECT TO PERSONS AND SOLID OBJECTS.		2ND NUMERAL: DEGREE OF PROTECTION WITH RESPECT TO HARMFUL INGRESS OF WATER								
		0	1	2	3	4	5	6	7	8
		Non protected	Protected against dripping water	Protected against dripping water of $\pm 15^\circ$ angle	Protected against dripping water of $\pm 60^\circ$ angle	Protected against splashing water	Protected against water jets	Protected against heavy seas	Protected against immersion	Protected against submersion
0	Non Protected	IP 00	Test time 10 mins 	Test time 10 mins 	Test time 10 mins max 200 	Test time 10 mins 	Test time 1 min/m 	Test time 1 min/m 	Test time 30 mins 	Test time 30 mins 
1	Protected against solid objects greater than Dia. 50 mm	IP 10	IP 11	IP 12	IP 13					
2	Protected against solid objects greater than Dia. 12 mm	IP 20	IP 21	IP 22	IP 23					
3	Protected against solid objects greater than Dia. 2.5 mm	IP 30	IP 31	IP 32	IP 33	IP 34				
4	Protected against solid objects greater than Dia. 1.0 mm	IP 40	IP 41	IP 42	IP 43	IP 44	IP 45	IP 46		
5	Dust protected					IP 54	IP 55	IP 56		
6	Dust tight						IP 65	IP 66	IP 67	IP 68

NEMA TO IEC - ENCLOSURE RATING CROSS-REFERENCE*								
NEMA TYPE	IP23	IP30	IP32	IP55	IP64	IP65	IP66	IP67
1	•							
2		•						
3								
3R			•					
4							•	
4X							•	
6								•
12				•				
13						•		

*Note: This cross-reference table is an approximation of NEMA and IEC classifications for reference only. Please consult the appropriate agency's requirements and test qualifications for complete information.

NEMA

National Electrical Manufacturers' Association
2101 L Street Northwest, Washington, DC 20037
NEMA Standards Publication No. 250
Enclosures for Electrical Equipment (1000 Volts Maximum)
NEMA Standards Publication No. ICS6
Enclosures for Industrial Controls and Systems

UL

Underwriters' Laboratories Inc.
333 Pfingsten Road, Northbrook, IL 60062
UL 50 Cabinets and Boxes
UL 508 Industrial Control Equipment
UL 870 Wireway, Auxiliary Gutter, and Associated fittings.

CSA

Canadian Standards Association
178 Rexdale Boulevard, Rexdale, Toronto, Ontario Canada
M9W 1R3
CSA Standard C22.2, No. 14 Industrial Control Equipment
for Use in Ordinary (Non-Hazardous) Locations
CSA Standard C22.2, No. 40 Cutout, Junction,
and Pull Boxes
CSA Standard C22.2, No. 94-M91 Special Purpose
Enclosures

JIC

Joint Industry Counsel
7901 Westpark Drive, McLean, VA 22101
EMP-1 Electrical Standards for Mass Production Equipment
EGP-1 Electrical Standards for General Purpose
Machine Tools

IEC

International Electrotechnical Commission
3 Rue de Varem, CH-1211
Geneva 20, Switzerland
IEC 529 Classification of Degrees of Protection
Provided by Enclosures

CERTIFICATES & APPROVALS



AS Austria



SETI Finland



SEV Switzerland



IMQ Italy



ÖVE Austria



UTE France



UL U.S.A.



KEMA Netherlands



CEBEC Belgium



VDE Germany



UR U.S.A.



NEMKO Norway



CSA, CEC Canada



BS Great Britain



Lloyd's Register of Shipping



AEE Spain



DEMKO Denmark



ASTA Great Britain



SEMKO Sweden

ANSI

American National Standards Institute
1430 Broadway
New York, NY 10018
ANSI Z55.1-1967 Gray Finishes for Industrial
Apparatus and Equipment

EEMAC

Electrical/Electronic Manufacturers Association of Canada
10 Carlson Court
Suite 500
Rexdale (Toronto), Ontario Canada M9W 6L2

TUV

TUV Rheinland
Glenview, IL
Newtown, CT
San Ramon, CA

VDE

Institute of German Electronics Engineers
Merianstrasse 28
D-6050 Offenbach, Germany

EIA

Electronic Industries Association
2001 Eye Street Northwest
Washington, DC 20006
EIA RS-310-D Racks, Panels, and Associated Equipment

NFPA

National Fire Protection Association
Batterymarch Park
Quincy, MA 02269
NFPA 70 National Electrical Code

FORD

Ford Manufacturing Standards
Ford Motor Company
The American Road
Dearborn, MI 48121
EXI Electrical Standards for Mass Production Equipment

Degreasing, Iron Phosphatizing and Rinsing

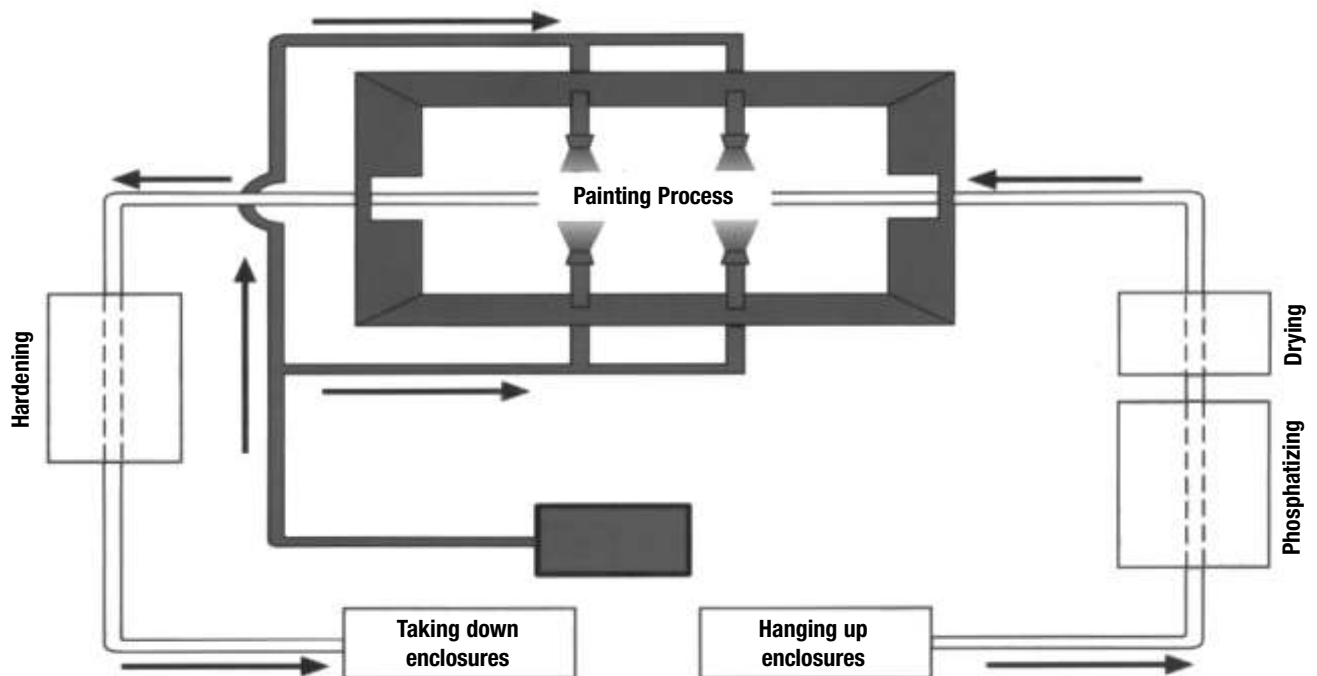
During this process the steel is cleaned and passivated. This way the product will not corrode and good adhesion of the paint to the steel surface is achieved.

Forced Drying

To make sure that the products are completely dry before the painting process starts, they are dried at 100 degree C.

Structure Powder Coating

The powder coating is electrostatically applied. This way ALL faces are covered inside and outside assuring high mechanical strength, very good corrosion protection and resistance to chemicals, temperature and weather variations. The powder coating can easily be re-painted and is free from heavy metals, chromate and silicon.



ENCLOSURE METAL SPECIFICATIONS TECHNICAL DATA

MATERIALS AND FINISHES METALS		
CHARACTERISTICS OF VARIOUS MATERIALS	COSTS	SUGGESTED APPLICATION
<p>Hot Rolled Pickled and Oiled Steel Sheets (ASTM A569)</p> <p>A low-carbon, hot-finished steel produced by passing bar stock, at a temperature above the recrystallation temperature, between a set of rolls. Scale has been removed by means of a hot, weak sulfuric acid bath, after which an oil film is applied.</p>	Low	General indoor and outdoor use after a suitable finish has been applied to protect against corrosion.
<p>Cold Rolled Steel (ASTM A366)</p> <p>A low-carbon, cold-finished steel produced by passing bar stock through a set of rolls.</p>	Low	General indoor and outdoor use after a suitable finish has been applied to protect against corrosion.
<p>Galvanized Steel (ASTM A526)</p> <p>Steel with a zinc coating to provide corrosion resistance. The most common method of applying the zinc coating is hot dip galvanizing. Other optional methods include electrodeposition and metal spraying. Galvanizing provides protection against corrosion by serving as a sacrificial barrier and providing cathodic protection at sheared edges.</p>	Low to Moderate	Indoor or outdoor use in neutral pH (pH is a measurement of the degree of acidity or alkalinity of a solution: pH values from 0 to 7 indicate acidity, and pH values from 7 to 14 indicate alkalinity). Resists oil, gas, glycerine, dichromates, borates, and silicates. Most frequent application is outdoor including seacoast atmospheres. Additional finishes may be applied to improve corrosion resistance.
<p>18-8 Stainless Steel (Type 302-304)</p> <p>A highly corrosion resistant iron-based alloy containing between 18% and 20% chromium. Stainless steel is the strongest of the corrosion resistant materials. It exhibits many of the same resistances attributed to fiberglass materials as well as resistance to highly polar solvents such as acetone and mek.</p>	Moderate	Indoor and outdoor use. Ideally suited for use in food processing areas, dairies, breweries, or any wet area. Also works well in areas where caustic elements or alkalies are present.
<p>316 or 316L Stainless Steel</p> <p>Provide improved resistance to salt, some acids, and high temperature. Resistance to sulfates and chlorine is less than Type 304.</p>	Moderate to High	Indoor or outdoor use in almost any environment. These stainless steels are the most corrosion resistant metal materials used by Wiegmann for enclosures. A superior material choice for marine environments.
<p>5052 Aluminum</p> <p>A lightweight metal that has a protective oxide layer which shields its surface from most corrosive elements. 5052 is the strongest non-heat treatable aluminum alloy.</p>	Moderate	Indoor or outdoor use, particularly in marine environments. Also an excellent choice for enclosures exposed to solvents, petrochemicals, some acids, most sulfates and nitrates.
<p>Monel</p> <p>A high nickel-base alloy characterized by good strength and good resistance to heat and corrosion.</p>	High	Frequently specified for marine and chemical plant applications. Mainly used as hardware on non-metallic enclosures.

ENCLOSURE GAUGE AND METRIC TECHNICAL DATA

N.I.B. GAUGE EQUIVALENTS	
GAUGE NUMBER	THICKNESS (INCHES)
7 Gauge	.179
8 Gauge	.164
9 Gauge	.150
10 Gauge	.134
11 Gauge	.120
12 Gauge	.105
13 Gauge	.090
14 Gauge	.075
15 Gauge	.067
16 Gauge	.060
17 Gauge	.054
18 Gauge	.048
19 Gauge	.042
20 Gauge	.036
21 Gauge	.033
22 Gauge	.030

Steel Manufacturers' Standard Gauge for Sheet Steel (Hot or Cold Rolled)

NEMA TO IEC - ENCLOSURE RATING CROSS-REFERENCE* DECIMAL & METRIC EQUIVALENTS							
4THS	8THS	16THS	32NDS	64THS	TO 3 PLACES	TO 2 PLACES	MILLIMETERS
				1/64	.016	.02	0
			1/32		.031	.03	1
				3/64	.047	.05	1
		1/16			.062	.06	2
				5/64	.078	.08	2
			3/32		.094	.09	2
				7/64	.109	.11	3
	1/8				.125	.12	3
				9/64	.141	.14	4
			5/32		.156	.16	4
				11/64	.172	.17	4
		3/16			.188	.19	5
				13/64	.203	.20	5
			7/32		.219	.22	6
				15/64	.234	.23	6
1/4					.250	.25	6
				17/64	.266	.27	7
			9/32		.281	.28	7
				19/64	.297	.30	8
		5/16			.312	.31	8
				21/64	.328	.33	8
			11/32		.344	.34	9
				23/64	.359	.36	9
	3/8				.375	.38	10
				25/64	.391	.39	10
			13/32		.406	.41	10
				27/64	.422	.42	11
		7/16			.438	.44	11
				29/64	.453	.45	12
			15/32		.469	.47	12
				31/64	.484	.48	12
1/2					.500	.50	13
				33/64	.516	.52	13
			17/32		.531	.53	13
				35/64	.547	.55	14
		9/16			.562	.56	14
				37/64	.578	.58	15
			19/32		.594	.59	15
				39/64	.609	.61	15
	5/8				.625	.62	16
				41/64	.641	.64	16
			21/32		.656	.66	17
				43/64	.672	.67	17
		11/16			.688	.69	17
				45/64	.703	.70	18
			23/32		.719	.72	18
				47/64	.734	.73	19
3/4					.750	.75	19
				49/64	.766	.77	19
			25/32		.781	.78	20
				51/64	.797	.80	20
		13/16			.812	.81	21
				53/64	.828	.83	21
			27/32		.844	.84	21
				55/64	.859	.86	22
7/8					.875	.88	22
				57/64	.891	.89	23
			29/32		.906	.91	23
				59/64	.922	.92	23
		15/16			.938	.94	24
				61/64	.953	.95	24
			31/32		.969	.97	25
				63/64	.984	.98	25
1 inch					1.000	1.00	25

LENGTH CONVERSIONS			
1mm = 0.039 in.	8mm = 0.315 in.	60mm = 2.362 in.	400mm = 15.748 in.
2mm = 0.079 in.	9mm = 0.354 in.	70mm = 2.756 in.	500mm = 19.685 in.
3mm = 0.118 in.	10mm = 0.394 in.	80mm = 3.150 in.	600mm = 23.622 in.
4mm = 0.157 in.	20mm = 0.787 in.	90mm = 3.543 in.	700mm = 27.559 in.
5mm = 0.197 in.	30mm = 1.181 in.	100mm = 3.937 in.	800mm = 31.496 in.
6mm = 0.236 in.	40mm = 1.575 in.	200mm = 7.874 in.	900mm = 35.433 in.
7mm = 0.276 in.	50mm = 1.969 in.	300mm = 11.811 in.	1000mm = 39.370 in.

AREA CONVERSIONS	
IMPERIAL TO METRIC	METRIC TO IMPERIAL
1 sq. inch = 645.16 sq. millimeters	1 sq. millimeter (mm ²) = 0.00155 sq. inch
1 sq. inch = 6.4516 sq. centimeters	1 sq. centimeter (cm ²) = 0.1550 sq. inch
1 sq. foot = 929.03 sq. centimeters	1 sq. meter (m ²) = 10.7640 sq. feet
1 sq. foot = 0.0929 sq. meter	1 sq. meter (m ²) = 1.196 sq. yards
1 sq. yard = 0.836 sq. meter	

CONVERSIONS	
3.0 mm = 0.118 ins.	10 gauge = 0.1345/0.1225 ins. = 3.416 / 3.112 mm
2.5 mm = 0.098 ins.	12 gauge = 0.1046 / 0.0926 ins. = 2.657 / 2.352 mm
2.0 mm = 0.079 ins.	14 gauge = 0.0747 / 0.0667 ins. = 1.897 / 1.694 mm
1.5 mm = 0.059 ins.	16 gauge = 0.0598 / 0.5928 ins. = 1.519 / 1.341 mm

Repainting

For best adhesion results, correct surface preparation before repainting is critical. To avoid discoloration of solvent-based high solids baking enamel, do not bake over 360 F. Always follow instructions provided by your **paint manufacturer**. Apply thin finish coats. Allow the paint to cure properly for best adhesion and hardness.

Panel Installation

When installing the interior sub-panel, it may be necessary to bend one or more mounting studs (slightly) to permit the panel to slide in place. If this would happen, simply position the panel on the studs that line up properly, and pry the other stud into position with a screwdriver inserted through the panel hole.

Door Closing Adjustments

(Single Door Wall Mount) If the surface on which the enclosure is mounted is not flat, the door may not open and close properly. If heavy equipment is mounted on the door, the door may sag slightly. If the top of door strikes the lip which extends around the body opening, place metal shims

behind the mounting foot which is located at the bottom of the enclosure and closest to the door hinge. Place the shims between the mounting foot and the wall or mounting surface; be sure all mounting bolts are tight!

(Two Door Floor Mounting) The overlapping doors are factory-fitted to meet evenly at the top and bottom. If the floor under the enclosure is not level, the doors will not close evenly. In this case, place metal shims under the corners of the enclosure. The enclosure should be bolted in place with doors closed to prevent tipping when installing shims. Shims under the right front corner will raise the right door. Shims under the left front corner will raise the left door. It is important that the doors meet evenly to insure a proper seal against liquids and dust. Be sure all mounting bolts are tight!

Lifting Enclosures

To lift an enclosure which has eyebolts or mounting feet, be sure to use all the eyebolts or tip mounting feet provided. Arrange your chains and cables with spreader bars, etc., so you are lifting straight up on the eyebolts or top mounting feet.

All fields marked with asterisk must be filled out before submitting quotation.

WIEGMANN QUOTATION REQUEST

CUSTOMER INFORMATION		
*Agent _____	*Contact _____	*Date _____
*Distributor _____	Location _____	Contact _____
Expired quote _____ (list old quote #)	New Quotation _____	Job name _____

DETAILED ENCLOSURE INFORMATION		
*Total Quantity _____	*Per Release _____	(based on current lead times)
*Modified Standard _____ (list Wiegmann catalog part number)	*Modified Special _____ (list Height x Width x Depth)	
Carbon Steel _____	Galvanized _____	304 SS _____ 316 SS _____ Alum _____
*Nema listing required (N1/N2/N3r/N4/N4X) _____	*Sub Panel (Y/N) _____	Panel Installed (Y/N) _____
*Standard Finish (Y/N) _____	*Special Color (RAL Number?) _____	
All Wiegmann colors are powder finish and must be predetermined in RAL format before placing order.		

DETAILED PUNCHING INFORMATION IN DOOR			
REFERENCE QUANTITY AND SIZE OF HOLES IN EACH LOCATION			
Size/tap _____	Qty _____	Cut-out (HxW) _____	Qty _____
Size/tap _____	Qty _____	Cut-out (HxW) _____	Qty _____
Size/tap _____	Qty _____	Cut-out (HxW) _____	Qty _____
List accessories to be installed _____			

DETAILED PUNCHING INFORMATION IN TUB			
REFERENCE QUANTITY AND SIZE OF HOLES IN ALL LOCATION (Top, bottom, sides, back)			
Size/tap _____	Qty _____	Cut-out (HxW) _____	Qty _____
Size/tap _____	Qty _____	Cut-out (HxW) _____	Qty _____
Size/tap _____	Qty _____	Cut-out (HxW) _____	Qty _____
Accessories/notes _____			

It is the responsibility of the Sales Agent to provide all pertinent information necessary to quote. Information missing or illegible drawings may result in a "no quote" or hold until information is researched & provided.

Please attach drawings (if applicable).

Please copy and complete.

Mail to: **Hubbell Wiegmann**
Attention: Quotations
 501 West Apple
 Freeburg, IL 62243

Or fax to:
(618)539-5794



Custom Design Support & Solutions

Wiegmann can provide custom enclosure design support tailored for your application. When you take advantage of Wiegmann's expertise you can be confident that your enclosure will reflect the latest technology configured to match your installation requirements.

Our services are designed to support a wide variety of customers from first-time users of Wiegmann enclosures to established customers creating advanced systems on accelerated implementation schedules. When you need custom enclosures, count on us for help. No one knows enclosures like Wiegmann.

Industry Standards

Our procedures and products are designed and manufactured to comply with National Electrical Manufacturers Association (NEMA), Underwriters Laboratories Inc. (UL), Canadian Standards Association (CSA), International Electrotechnical Commission (IEC), and American National Standards Institute (ANSI) requirements for enclosures. Proper use and application of standards is carefully monitored. This commitment to quality is your assurance that Wiegmann custom enclosures, like their standard enclosure counterparts, will stand up even under the most rigorous conditions.

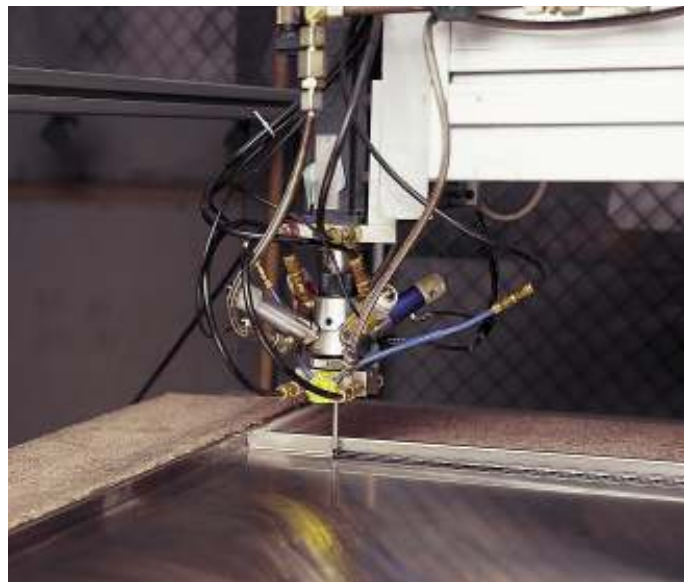
Total Custom Manufacturing Capability

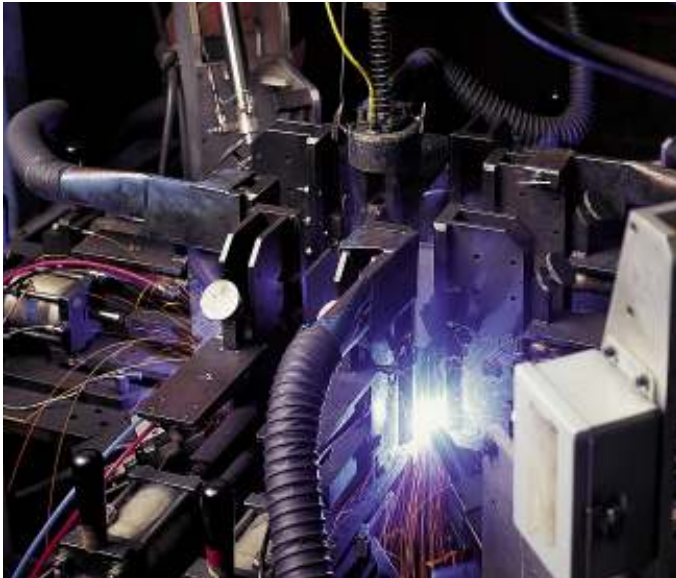
Our custom engineering department and manufacturing facility employ state-of-the-art systems and equipment for fast turnaround.

Wiegmann manufacturing systems and procedures were designed from the ground up to meet a wide range of customer requirements. So if your application calls for unique materials or finishes, holes or cutouts, special sizes or shapes, we can help you meet those expectations.

We can also handle custom finishes on steel, stainless steel and aluminum. Custom products can be painted in any number of colors or color combinations. Wiegmann's offers special colors in powder coats.

Finally, Wiegmann's Customer Support Services is dedicated to a single goal providing the best possible service for both our products and our customers. Our network of authorized representatives and distributors stand ready to assist you in providing pricing information and delivery schedules as well as expert advice and recommendations.





To obtain a quotation and place an order for a custom enclosure, contact your local factory authorized Wiegmann representative sales office.

Suggestions for Ordering

These suggestions will help you plan your custom enclosure.

Establish...

- Product quantity
- Environmental factors
- Product lead time
- Delivery deadlines
- Schedule of shipments

Determine enclosure material of choice based upon application and environment.

Develop a detailed drawing or layout or Wiegmann will be happy to assist in drawing. This will help us do an accurate job of pricing, engineering, and estimating delivery schedules.

Provide us with the name and telephone number of a project team member who is familiar with the technical aspects of the order.

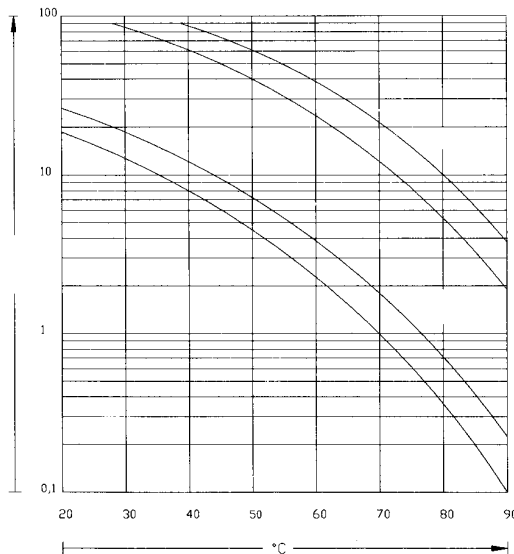
Consider modifying a Wiegmann standard enclosure. Wiegmann manufactures over 2,500 models and with minor modifications may be suitable for your application.

See page L11 for custom ordering form.



Ever since components have been made to control electro-technical tasks, heat loss has been a subject to take into consideration. Sometimes more—sometimes less.

Major problems with heat caused excessive dust accumulation in switchgear equipment because the doors were left open during the summer to allow the equipment to cool down. This can result in fluctuations in temperature. These lead to stress situations that can considerably reduce the service life of electronic components (see chart).



This chart demonstrates the relationship between temperature and service life.

THREE BASIC COOLING METHODS

When selecting a cooling method there are three types to consider:

- 1. Natural Convection** — If there is only a minimal heat gain in your circumstance, use of louvers or grilles with filters can be effective. This method, however, usually provides less cooling effect than is necessary with today's components (Fig. 1, pg. L15).
- 2. Forced Convection Air Cooling** — If the installation will be in a clean, non-hazardous environment with an acceptable ambient (outside the enclosure) temperature range, a simple forced-air cooling system utilizing outside air is usually adequate. Combined with an air filter, such devices generally meet the heat removal needs of typical electronic equipment and many electrical applications (Fig. 2a & 2b, pg. L16). Examples of forced convection air cooling are Filterfans™ and Box Fans.
- 3. Closed-Loop Cooling** — In harsh environments involving high temperatures, wash-down requirements, heavy particulate matter or the presence of chemicals capable of damaging components (NEMA 4 or 12 environments), ambient air must be kept out of the enclosure. Closed-loop cooling consists of two separate

circulation systems. One system seals out the ambient air, cooling and recirculating clean, cool air throughout the enclosure. The second system uses ambient air or water to remove and discharge the heat (Fig. 3, pg. L18). Examples of closed-loop cooling equipment employed with electronics and process controls are air conditioners and heat exchangers.

Heat Abduction by Natural Convection

If the ambient temperature is lower than the temperature inside the switch cabinet, the dissipated heat escapes into the atmosphere through the surface of the switch cabinet. The following simple equation is used to calculate the level of heat radiated from a switch cabinet:

$$PR[W] = c \times A \times DT$$

P_R [Watt]: Radiation Power

Thermal power radiated from the surface area of the switch cabinet into the ambience or radiated from the ambience into the switch cabinet.

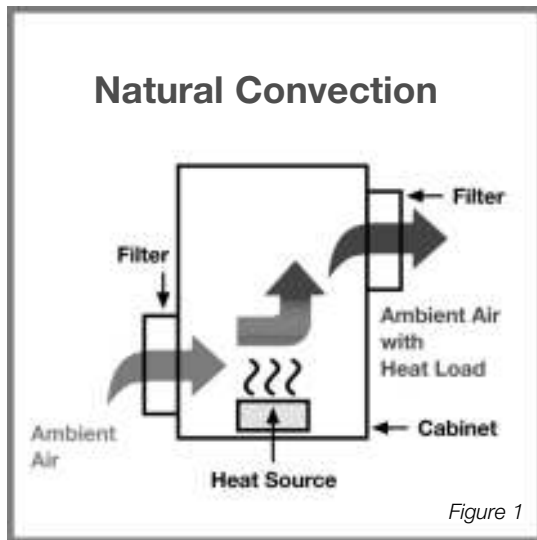
C [W/m²K]: Coefficient of heat transmission

Radiation power per 1m² surface area and 1K difference in temperature. This constant is determined by the material:

Sheet steel	-5.5 W/m ² K
Stainless steel	-3.7 W/m ² K
Aluminum	-12.0 W/m ² K
Plastic	-0.2 W/m ² K

A [m²]: Surface area of switch cabinet

Effective surface area of a switch cabinet measured according to the specifications of VDE0660, Part 506.



Heat Abduction with Filterfans™

Follow the simple equation for calculating the required air flow volume:

$$V = \frac{3.1(Pd)}{A} \text{ [m}^3\text{/h]}$$

V[m3/h]: Flow volume for a filter fan

Pd[Watt]: Dissipation loss
Thermal power generated inside a switch cabinet by dissipation loss from components.

A[m2]: Difference in temperature between the ambience and inside the switch cabinet

In the course of development, absolute priority was given to the use of high-quality components (plastic material, fan, filter mat) and comprehensive transparent technical data. For this purpose we measured every Filterfan™ and exhaust filter in a test laboratory.

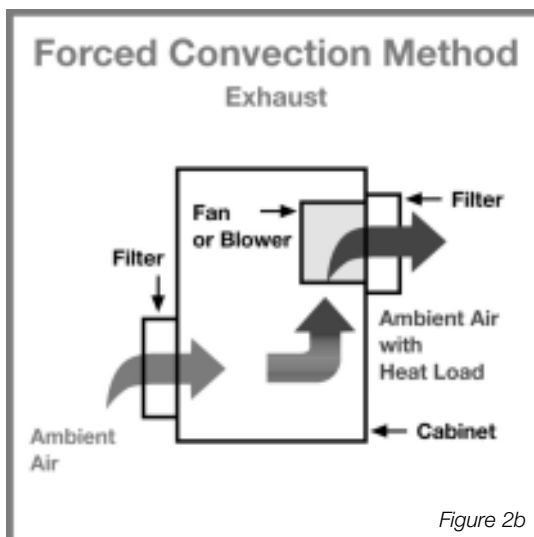
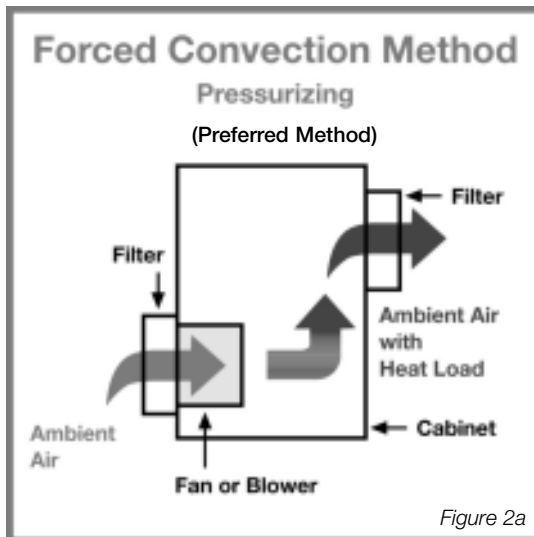
When considering the use of Filterfans™:

- Always use the Filterfan™ to propel the cool ambient air into the switch cabinet. This ensures that slight positive pressure builds up inside the switch cabinet in comparison to the ambience and that only air filtered by the Filterfan™ flows into the switch cabinet. The air propelled into the cabinet displaces the warm air which exits through the exhaust filter. If, however, the air is drawn out of the switch cabinet by suction power, unfiltered air can also enter through gaps and components
- If you install a combination of Filterfan™/exhaust filter, fit the Filterfan™ in the lower third of the switch cabinet if possible. The exhaust filter must be installed as near to the top as possible to prevent heat pockets in the upper part of the cabinet
- In switch cabinets consisting of several compartments, the cool air capacity required should be divided among two or more Filterfans™/exhaust fans. This measure helps to ensure a more acceptable distribution of temperature throughout the cabinet
- If you combine a Filterfan™ with two exhaust filters, the cool air divides into “Y” shape. In this way, with just one additional exhaust filter you can considerably improve the circulation inside the switch cabinet
- Install a thermostat that only trips the Filterfan™ when the temperature is too high. This can quite substantially increase the service life of your filter mat



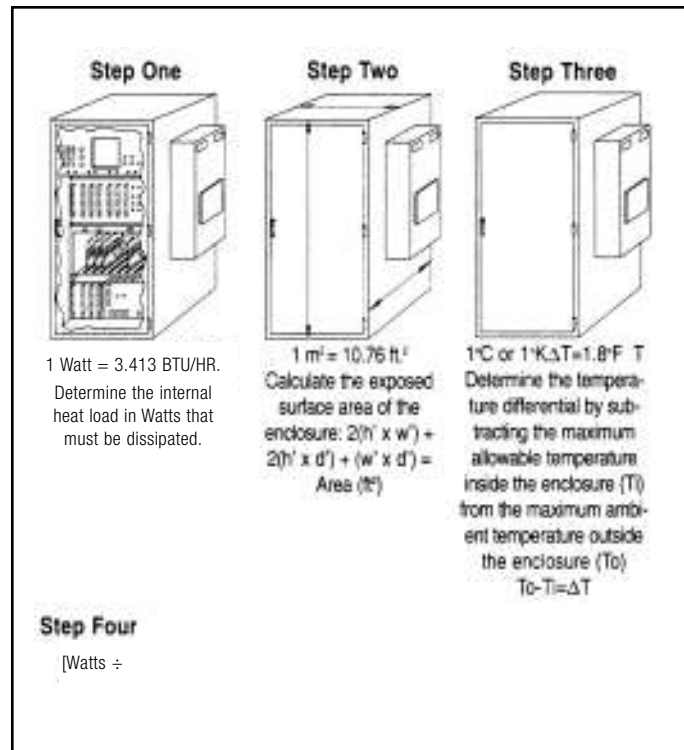
(European Patent No. 0439667)

The Filterfan/exhaust filter is centered in the cutout and held in place across the 4 corners. Installation time is thus reduced from 12 minutes to virtually ZERO.



Steps for sizing an air conditioner — Proper selection of an air conditioner is determined by the following criteria:

- Required cooling capacity in BTUs/hr (steps 1-4)
- Mounting requirements (top or side mounting options)
- Dimensions of air conditioner and enclosure



Heat Abduction with a Cooling Unit

Pfannenberg air/refrigerant cooling units operate on the principle of the Carnot cycle. This means that the cooling unit functions as a heat pump that “pumps” the thermal energy abducting from the switch cabinet (heat dissipated from the components) up to a higher level of temperature (the ambient temperature can reach levels as high as +131°F). The air inside the switch cabinet is cooled down by the evaporator and is at the same time dehumidified.

Cooling units are used if:

- The outside air cannot be used for cooling
- The required temperature inside the switch cabinet should be equal to or lower than the required ambient temperature
- The ambient air is extremely oily or rife with conductive dust

Selecting cooling units

- Ascertain the total dissipation loss from the components installed in the switch cabinet. Take into account the simultaneity factor, because rarely are all components in operation at the same time
- Also take the heat radiation from the switch cabinet into account. If $T_i < T_a$, this must also be added to the dissipation loss value
- Now select the necessary cooling unit in accordance with the required refrigeration capacity, ensuring that the cooling capacity of the cooling unit is at least equal to the dissipation loss value. Preferable is a figure 10% in excess of that value

Utilizing characteristic curves for proper selection of a cooling unit

Characteristic curves for all cooling units are available for contacting us. These diagrams allow you to determine the corresponding effective (useful) refrigeration capacity for any temperature. All relevant data for our cooling units result from tests in Pfannenberg's own climatic chamber.

Example:

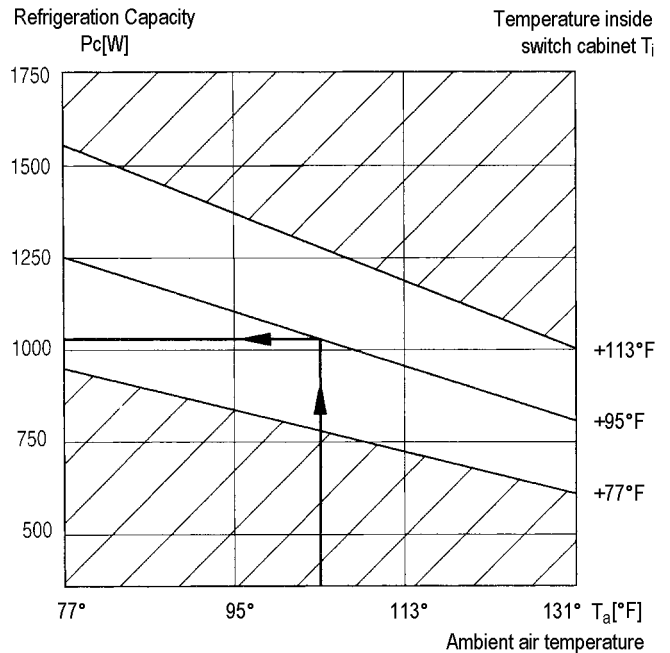
$T_a = 104^\circ\text{F}$ and $T_i = 95^\circ\text{F}$, where

T_i [°F]: Maximum admissible temperature inside the switch cabinet. This value reflects the maximum operating temperature of components installed in the switch cabinet. This usually ranges from approx. 95°F to 113°F .

T_a [°F]: Maximum ambient temperature. Temperature at which the switch cabinet is installed.

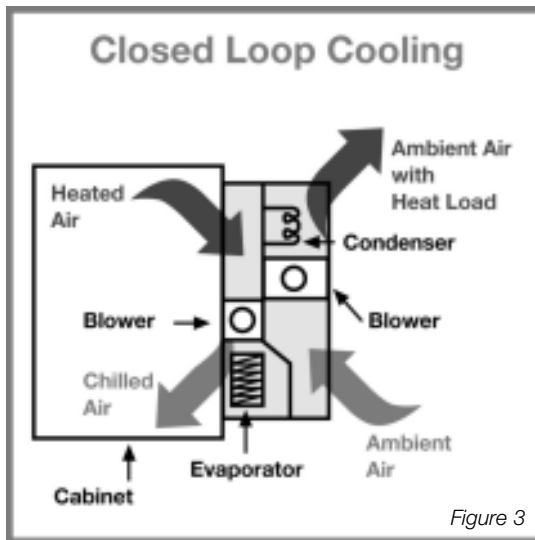
P_c [Watt]: Refrigeration capacity of a cooling unit. Only the effective or useful cooling capacity is shown.

Go to the known ambient temperature ($T_a = 104^\circ\text{F}$) and trace a vertical line up to the intersection with 95°F line. Then trace a horizontal line left of that intersection until it meets with the ordinate (vertical axis). This point shows the refrigeration capacity required. In this example, the following diagram shows that the value is 1040W.



Important information on the utilization of cooling units

- The refrigeration capacity should exceed the dissipation loss from the installed components by approximately ten percent (10%)
- The switch cabinet must be adequately sealed to prevent the inflow of ambient air
- Use the door contact switch to impede operation with open doors and consequent excessive accumulation of condensation
- Use cooling units with a generous clearance between air inflow and air outflow to prevent poor circulation
- Attach the condensate overflow hose included in the package of accessories supplied with the unit
- Make sure that the air inflow and air outflow in the external circuit of the cooling unit circulates satisfactorily to ensure that the thermal energy is released into the ambience
- When using top-mounted cooling units, make sure that components with their own fans do not expel the air directly into the cooling unit's cool air outflow. This counteraction between the two airflows would otherwise substantially reduce the refrigeration capacity and could cause heat pockets.
- Make sure that the switch cabinet stands up straight. Otherwise the condensation cannot drain properly from the top-mounted unit
- Setting the temperature to the lowest setting is not the optimal solution due to condensation issues. The value we have preset on the cooling unit is a sound compromise between cooling the inside of the switch cabinet and the accumulation of condensation



Cooling Control Cabinets

Most electrical & electronic control systems generate substantial amounts of heat during operation. This heat factor intensifies as controls are made more compact, perform more functions, or are placed in more confined areas. Additional problems are encountered when the electronic process control system is located on-site in an industrial setting, as opposed to a clean computer room. For instance, ambient temperatures found in a steel mill can be locally very high. The factory environment can be hostile to the point that performance and effective life of electronic components are materially reduced, or the control system fails completely. Moisture-laden air and airborne particulate matter might be present to adversely affect electronic components, as is true in the paper manufacturing industry or in grain storage facilities. Our air conditioners are designed to perform reliably under many of these harsh conditions and to provide the cooling and environmental protection required by sensitive electronic production control systems.

Factors affecting model selection

Use this section as a basic outline or checklist of the various conditions to be considered when choosing a cooling unit for a certain application.

The following three factors must be considered when selecting a cooling unit:

1. Internal Heat Load

This is the heat dissipated by electronic controls. It is expressed in watts. One watt equals 3.413 BTU/hr. Thus, to obtain the approximate cooling capacity required to remove a specific heat load, the following formula can be used:

$$\text{Watts} \times 3.413 = \text{BTU/hr}$$

For example, a heat load of 800 watts requires an air conditioner capable of removing at least 2,730 BTU/hr

2. Resistance to air flow in the enclosure

Air-flow is measured in cubic feet per minute (CFM). Creating appropriate air flow requires that air pressure be produced by a blower within the air conditioning enclosure. Resistance to blower-produced air flow is created by obstructions within the cabinet's air-flow path. This resistance is called static pressure (SP) and is measured in inches of water column.

The effect of significant resistance in the cabinet's air flow due to static pressure is that it produces a drop in air pressure, or differential, from the air velocity produced by the blower. This reduction in cool air flow will decrease the effective capacity of the cooling unit. So when selecting the proper cooling unit, allowances must be made for static pressure.

3. Heat Load From the Surroundings

Ambient conditions can cause a heat gain in the enclosure. The rated capacity of the cooling unit must be sufficient to handle this heat gain. When evaluating the additional heat load gained from the surroundings, consider the following:

Insulated Cabinet — Normally, well-insulated cabinets will not gain sufficient ambient heat to affect an air conditioner's operation. BTU/hr ratings for our air conditioners have been established at the maximum ambient operating temperature of 125°F. A substantial improvement in heat removal occurs when operating in ambient temperatures below 125°F.

Uninsulated Cabinets (most common) — Obviously, this design places more of a burden on the cooling unit. Heat is conducted to the cool side. Thus, high ambient heat will be readily transmitted into the cooler enclosure. To determine the additional capacity required of our air conditioner installed in an uninsulated cabinet, the surface square footage of the enclosure must be calculated to obtain the total effective heat transfer area. For this calculation, use the surface area of the sides, plus the area of the top, and omit the bottom area of the cabinet.

Air movement outside the uninsulated cabinet will increase the heat conducted from the ambient into the enclosure. When there is little or no air circulation outside the cabinet, the layer of air immediately adjacent to the exterior cabinet walls act as an insulating film. Exterior air movement dissipates this insulating layer of air in proportion to the velocity of the air flow. Substantial ambient air circulation will increase the transmitted heat load imposed on the cooling unit. If the cabinet being cooled is not airtight, then high ambient relative humidity will adversely affect the cooling effectiveness of the air conditioner. When humid air infiltrates a poorly sealed enclosure, the air conditioner is required to use up valuable BTU/hr capacity just to condense the moisture from the internal air. Conversely, if the cabinet is well sealed, high ambient relative humidity has very little effect on the heat capacity of the air conditioner.

Why Use a Heater?

Hubbell Wiegmann heater products protect electronic and electrical components from temperature problems that are below acceptable tolerances. There are obvious circumstances when extremely low ambient (outside the enclosure) temperatures would require a heater, but there are also less apparent times that a heater should be considered. For example, a system may run all day having its components generate heat, but once the system shuts down for the night, the quick drop in temperature could cause condensation and possible corrosion — a heater could be used to maintain a safe and constant temperature.

Heater Sizing

Formula for sizing Hubbell Wiegmann enclosure heating products:

$$P_H = ($$



NOTES

PART NUMBER	PAGE	PART NUMBER	PAGE	PART NUMBER	PAGE	PART NUMBER	PAGE
A040503.....	A6	AF1010G.....	G3	B080606.....	C2	B302007CH.....	C6
A040604.....	A6	AF1212.....	G3	B080606CH.....	C4	B302009CH.....	C6
A060603.....	A6	AF1212G.....	G3	B080606SC.....	C10	B302409CH.....	C6
A060604.....	A6	ALN4161206.....	E22	B080804.....	C2	B302413CH.....	C6
A060606.....	A6	ALN4161608.....	E22	B080804CH.....	C4	B362407CH.....	C6
A060804.....	A6	ALN4201606.....	E22	B080804SC.....	C10	B362409CH.....	C6
A080804.....	A6	ALN4201610.....	E22	B100804.....	C2	B362411CH.....	C6
A080806.....	A6	ALN4202006.....	E22	B100804CH.....	C4	B363009CH.....	C6
A081004.....	A6	ALN4242006.....	E22	B100804CHQR.....	C8	B363013CH.....	C6
A081006.....	A6	ALN4242010.....	E22	B100804CHS.....	C4	B423609CH.....	C6
A081204.....	A6	ALN4242408.....	E22	B100804SC.....	C10	B483611CH.....	C6
A101004.....	A6	ALN4242410.....	E22	B100806.....	C2	BH0202.....	G3
A101006.....	A6	ALN4302408.....	E22	B100806CH.....	C4	BH0202G.....	G3
A101204.....	A6	ALN4302412.....	E22	B100806SC.....	C10	BH0404.....	G3
A101206.....	A6	ALN4362408.....	E22	B101004SC.....	C10	BH0404G.....	G3
A121204.....	A6	ALN4363008.....	E22	B101006CH.....	C4	BH0606.....	G3
A121206.....	A6	ALN4363012.....	E22	B101006SC.....	C10	BH0606G.....	G3
A121504.....	A6	ALN4603612.....	E22	B120604CH.....	C4	BH0808.....	G3
A121604.....	A6	ALN483608.....	E22	B121005.....	C2	BH0808G.....	G3
A121606.....	A6	ALNP1612.....	I4	B121005CH.....	C4	BH1010.....	G3
A121804.....	A6	ALNP1616.....	I4	B121005CHQR.....	C8	BH1010G.....	G3
A121806.....	A6	ALNP2016.....	I4	B121005CHS.....	C4	BH1212.....	G3
A151506.....	A6	ALNP2020.....	I4	B121005SC.....	C10	BH1212G.....	G3
A151804.....	A6	ALNP2420.....	I4	B121008CH.....	C4	BN4040403.....	D2
A161606.....	A6	ALNP2424.....	I4	B121206.....	C2	BN4040403CH.....	D4
A181806.....	A6	ALNP3024.....	I4	B121206CH.....	C4	BN4040403SS.....	E6
A182406.....	A6	ALNP3624.....	I4	B121206SC.....	C10	BN4060403.....	D2
A242406.....	A6	ALNP3630.....	I4	B140806CH.....	C4	BN4060403AL.....	E10
A243006.....	A6	ALNP4836.....	I4	B141206.....	C2	BN4060403CH.....	D4
A243606.....	A6	ALNP6036.....	I4	B141206CH.....	C4	BN4060403SS.....	E6
A243608.....	A6	B040403.....	C2	B141206CHQR.....	C8	BN4060404CHSS.....	E8
ABN12242108.....	F16	B040403CH.....	C4	B141206CHS.....	C4	BN4060404CHSSA.....	E8
ABN12242508.....	F16	B040403SC.....	C10	B141206SC.....	C10	BN4060604.....	D2
ABN12302108.....	F16	B040404.....	C2	B141208CH.....	C4	BN4060604AL.....	E10
ABN12302508.....	F16	B040404CH.....	C4	B161006CH.....	C4	BN4060604CH.....	D4
ABN12362510.....	F16	B040404SC.....	C10	B161406.....	C2	BN4060604CHAL.....	E12
ABN12363108.....	F16	B060403.....	C2	B161406CH.....	C4	BN4060604CHSS.....	E8
ABN12363110.....	F16	B060403CH.....	C4	B161406CHQR.....	C8	BN4060604CHSSA.....	E8
ABN12423108.....	F16	B060403CHQR.....	C8	B161406CHS.....	C4	BN4060604SS.....	E6
ABN12483710.....	F16	B060403SC.....	C10	B161406SC.....	C10	BN4080603.....	D2
ABN12483812.....	F16	B060404.....	C2	B161408CH.....	C4	BN4080603AL.....	E10
ABN12603710.....	F16	B060404CH.....	C4	B161410CH.....	C4	BN4080603CH.....	D4
AF0202.....	G3	B060404SC.....	C10	B201607CH.....	C6	BN4080603CHAL.....	E12
AF0202G.....	G3	B060604.....	C2	B201609CH.....	C6	BN4080604CHSS.....	E8
AF0404.....	G3	B060604CH.....	C4	B202007CH.....	C6	BN4080604CHSSA.....	E8
AF0404G.....	G3	B060604CHQR.....	C8	B202009CH.....	C6	BN4080604SS.....	E6
AF0606.....	G3	B060604SC.....	C10	B242007CH.....	C6	BN4100804.....	D2
AF0606G.....	G3	B080603.....	C2	B242009CH.....	C6	BN4100804AL.....	E10
AF0808.....	G3	B080603CH.....	C4	B242407CH.....	C6	BN4100804CH.....	D4
AF0808G.....	G3	B080603CHQR.....	C8	B242409CH.....	C6	BN4100804CHAL.....	E12
AF1010.....	G3	B080603SC.....	C10	B242411CH.....	C6	BN4100804CHSS.....	E8

PART NUMBER	PAGE	PART NUMBER	PAGE	PART NUMBER	PAGE	PART NUMBER	PAGE
BN4100804CHSSA.....	E8	E0404.....	G3	HFWADM104C.....	J21	HFWNISP3636C.....	J20
BN4100804SS.....	E6	E0404G.....	G3	HFWADM122C.....	J21	HFWRA20C.....	J23
BN4100806CH.....	D4	E0606.....	G3	HFWADM124C.....	J21	HFWRA24C.....	J23
BN4121005.....	D2	E0606G.....	G3	HFWADM64C.....	J21	HFWRA30C.....	J23
BN4121005AL.....	E10	E0808.....	G3	HFWADM82C.....	J21	HFWRA36C.....	J23
BN4121005CH.....	D4	E0808G.....	G3	HFWADM84C.....	J21	HFWRA48C.....	J23
BN4121005CHAL.....	E12	E1010GNK.....	G3	HFWCNP4C.....	J20	HS121210NK.....	G2
BN4121005SS.....	E6	E1010NK.....	G3	HFWDF1212C.....	J21	HS12121NK.....	G2
BN4121006CHSS.....	E8	E1212GNK.....	G3	HFWDF1612C.....	J21	HS12122NK.....	G2
BN4121006CHSSA.....	E8	E1212NK.....	G3	HFWDF2016C.....	J21	HS12123NK.....	G2
BN4121206CH.....	D4	EGL250.....	K32	HFWDF2020C.....	J21	HS12124NK.....	G2
BN4121206CHSS.....	E8	EGL250-120.....	K32	HFWDF2420C.....	J21	HS12125NK.....	G2
BN4121206CHSSA.....	E8	EGL400.....	K32	HFWDF2424C.....	J21	HS12126NK.....	G2
BN4141206.....	D2	EGL400-120.....	K32	HFWDF3024C.....	J21	HS221.....	G2
BN4141206AL.....	E10	EHG015.....	K29	HFWDR12C.....	J22	HS2210.....	G2
BN4141206CH.....	D4	EHG030.....	K29	HFWDR16C.....	J22	HS2210NK.....	G2
BN4141206CHAL.....	E12	EHG045.....	K29	HFWDR20C.....	J22	HS221NK.....	G2
BN4141206CHSS.....	E8	EHG060.....	K29	HFWDR24C.....	J22	HS222.....	G2
BN4141206CHSSA.....	E8	EHG075.....	K29	HFWGS12C.....	J23	HS222NK.....	G2
BN4141206SS.....	E6	EHG100.....	K29	HFWGS16C.....	J23	HS223.....	G2
BN4161406.....	D2	EHG150.....	K29	HFWGS20C.....	J23	HS223NK.....	G2
BN4161406AL.....	E10	ETF3000.....	K34	HFWGS24C.....	J23	HS224.....	G2
BN4161406CH.....	D4	ETF3000120F.....	K34	HFWGS30C.....	J23	HS224NK.....	G2
BN4161406CHAL.....	E12	ETR201.....	K33	HFWGS36C.....	J23	HS225.....	G2
BN4161406CHSS.....	E8	ETR201F.....	K33	HFWGS42C.....	J23	HS225NK.....	G2
BN4161406CHSSA.....	E8	ETR202.....	K33	HFWGS48C.....	J23	HS226.....	G2
BN4161406SS.....	E6	ETR202F.....	K33	HFWGS60C.....	J23	HS226NK.....	G2
C0202.....	G3	FK0608.....	J10	HFWMC12C.....	J22	HS441.....	G2
C0202G.....	G3	FK0610.....	J10	HFWMC16C.....	J22	HS4410.....	G2
C0404.....	G3	FK0612.....	J10	HFWMC20C.....	J22	HS4410NK.....	G2
C0404G.....	G3	FK0618.....	J10	HFWMC24C.....	J22	HS441NK.....	G2
C0606.....	G3	FK0624.....	J10	HFWMC30C.....	J22	HS442.....	G2
C0606G.....	G3	FK1208.....	J10	HFWMC36C.....	J22	HS442NK.....	G2
C0808.....	G3	FK1210.....	J10	HFWMC42C.....	J22	HS443.....	G2
C0808G.....	G3	FK1212.....	J10	HFWMC48C.....	J22	HS443NK.....	G2
C1010.....	G3	FK1216.....	J10	HFWMC60C.....	J22	HS444.....	G2
C1010G.....	G3	FK1218.....	J10	HFWNISP1212C.....	J20	HS444NK.....	G2
C1212.....	G3	FK1220.....	J10	HFWNISP1612C.....	J20	HS445.....	G2
C1212G.....	G3	FK1224.....	J10	HFWNISP1616C.....	J20	HS445NK.....	G2
DK12.....	J4	FK1808.....	J10	HFWNISP1620C.....	J20	HS446.....	G2
DK16.....	J4	FK1810.....	J10	HFWNISP2016C.....	J20	HS446NK.....	G2
DK20.....	J4	FK1812.....	J10	HFWNISP2020C.....	J20	HS661.....	G2
DK24.....	J4	FK1816.....	J10	HFWNISP2024C.....	J20	HS6610.....	G2
DK30.....	J4	FK2408.....	J10	HFWNISP2416C.....	J20	HS6610NK.....	G2
DK36.....	J4	FK2410.....	J10	HFWNISP2420C.....	J20	HS661NK.....	G2
DK42.....	J4	FK2412.....	J10	HFWNISP2424C.....	J20	HS662.....	G2
DK48.....	J4	FM08603-4.....	K38	HFWNISP3020C.....	J20	HS662NK.....	G2
DK60.....	J4	FM08604-5.....	K38	HFWNISP3024C.....	J20	HS663.....	G2
DK72.....	J4	FM08605-7.....	K38	HFWNISP3030C.....	J20	HS663NK.....	G2
E0202.....	G3	FM08609-10.....	K38	HFWNISP3624C.....	J20	HS664.....	G2
E0202GNK.....	G3	HFWADM102C.....	J21	HFWNISP3630C.....	J20	HS664NK.....	G2

PART NUMBER	PAGE	PART NUMBER	PAGE	PART NUMBER	PAGE	PART NUMBER	PAGE
HS665	G2	HW-CC161408CHQR	E34	HW-J60404CHSC	E45	HW-MP2016A	E56-E58
HS665NK	G2	HW-CC161408CHTL	E35	HW-J60404CHTLW	E47	HW-MP2016CS	E56-E58
HS666	G2	HW-CC60604CHQR	E34	HW-J60404SC	E44	HW-MP2016CS	E56-E58
HS666NK	G2	HW-CC60604CHTL	E35	HW-J60604CHQR	E46	HW-MP2016FG	E56-E58
HS881	G2	HW-CC80604CHQR	E34	HW-J60604CHQRW	E48	HW-MP2016FG	E56-E58
HS8810	G2	HW-CC80604CHTL	E35	HW-J60604CHSC	E45	HW-MP2016SS	E56-E58
HS8810NK	G2	HW-CC80804CHQR	E34	HW-J60604CHTLW	E47	HW-MP2016SS	E56-E58
HS881NK	G2	HW-CC80804CHTL	E35	HW-J60604SC	E44	HW-MP604A	E56-E58
HS882	G2	HW-CI2	E60	HW-J80604CHQR	E46	HW-MP604CS	E56-E58
HS882NK	G2	HW-DV	E59	HW-J80604CHQRW	E48	HW-MP604FG	E56-E58
HS883	G2	HW-DVKIT	E59	HW-J80604CHSC	E45	HW-MP604SS	E56-E58
HS883NK	G2	HW-FGHP	E59	HW-J80604CHTLW	E47	HW-MP606A	E56-E58
HS884	G2	HW-FGHP-100-125	E59	HW-J80604SC	E44	HW-MP606CS	E56-E58
HS884NK	G2	HW-FGHP-150-200	E59	HW-LP	E61	HW-MP606CS	E56-E58
HS885	G2	HW-FGHP-PB-075	E59	HW-LPKIT	E61	HW-MP606FG	E56-E58
HS885NK	G2	HW-J100804CHQR	E46	HW-MGFTKIT	E59	HW-MP606FG	E56-E58
HS886	G2	HW-J100804CHQRW	E48	HW-MP1008A	E56-E58	HW-MP606SS	E56-E58
HS886NK	G2	HW-J100804CHSC	E45	HW-MP1008CS	E56-E58	HW-MP606SS	E56-E58
HW-100806CHQR	E33	HW-J100804CHTLW	E47	HW-MP1008CS	E56-E58	HW-MP706A	E56-E58
HW-100806CHSC	E32	HW-J100804SC	E44	HW-MP1008FG	E56-E58	HW-MP706CS	E56-E58
HW-121006CHQR	E33	HW-J100805CHQR	E46	HW-MP1008FG	E56-E58	HW-MP806A	E56-E58
HW-121006CHSC	E32	HW-J100805CHSC	E45	HW-MP1008SS	E56-E58	HW-MP806CS	E56-E58
HW-141206CHQR	E33	HW-J100805CHTLW	E47	HW-MP1008SS	E56-E58	HW-MP806CS	E56-E58
HW-141206CHSC	E32	HW-J100805SC	E44	HW-MP1210A	E56-E58	HW-MP806FG	E56-E58
HW-141208CHQR	E33	HW-J121005CHQR	E46	HW-MP1210CS	E56-E58	HW-MP806FG	E56-E58
HW-141208CHSC	E32	HW-J121005CHQRW	E48	HW-MP1210CS	E56-E58	HW-MP806SS	E56-E58
HW-161408CHQR	E33	HW-J121005CHSC	E45	HW-MP1210FG	E56-E58	HW-MP806SS	E56-E58
HW-161408CHSC	E32	HW-J121005CHTLW	E47	HW-MP1210FG	E56-E58	HW-MP808CS	E56-E58
HW-181610CHQR	E33	HW-J121005SC	E44	HW-MP1210SS	E56-E58	HW-MP808FG	E56-E58
HW-181610CHSC	E32	HW-J141206CHQR	E46	HW-MP1210SS	E56-E58	HW-MP808SS	E56-E58
HW-201610CHQR	E33	HW-J141206CHQRW	E48	HW-MP1412A	E56-E58	HW-MP906A	E56-E58
HW-201610CHSC	E32	HW-J141206CHSC	E45	HW-MP1412CS	E56-E58	HW-MP906CS	E56-E58
HW-2PKENCAP	E61	HW-J141206CHTLW	E47	HW-MP1412CS	E56-E58	HW-N3R242410CH	E50
HW-2PKSS	E60	HW-J141206SC	E44	HW-MP1412CS	E56-E58	HW-N3R302008CH	E50
HW-4PKENCAP	E61	HW-J161406CHQR	E46	HW-MP1412FG	E56-E58	HW-N3R302010CH	E50
HW-4PKSS	E60	HW-J161406CHQRW	E48	HW-MP1412FG	E56-E58	HW-N3R302410CH	E50
HW-60604CHQR	E33	HW-J161406CHSC	E45	HW-MP1412SS	E56-E58	HW-N3R302412CH	E50
HW-60604CHSC	E32	HW-J161406CHTLW	E47	HW-MP1412SS	E56-E58	HW-N3R363008CH	E50
HW-80604CHQR	E33	HW-J161406SC	E44	HW-MP1614A	E56-E58	HW-N3R363010CH	E50
HW-80604CHSC	E32	HW-J181608CHQR	E46	HW-MP1614CS	E56-E58	HW-N3R363012CH	E50
HW-80804CHQR	E33	HW-J181608CHQRW	E48	HW-MP1614CS	E56-E58	HW-N3R363012CH	E50
HW-80804CHSC	E32	HW-J181608CHQRW	E48	HW-MP1614FG	E56-E58	HW-N3R483612CH	E50
HW-CarryingHandle	E61	HW-J181608CHSC	E45	HW-MP1614FG	E56-E58	HW-N3R483616CH	E50
HW-CC100806CHQR	E34	HW-J181608CHTLW	E47	HW-MP1614SS	E56-E58	HW-N4X1144	E38
HW-CC100806CHTL	E35	HW-J181608SC	E44	HW-MP1614SS	E56-E58	HW-N4X12PBW	E42
HW-CC121006CHQR	E34	HW-J201608CHQR	E46	HW-MP1816A	E56-E58	HW-N4X1432	E38
HW-CC121006CHTL	E35	HW-J201608CHSC	E45	HW-MP1816CS	E56-E58	HW-N4X161007CH	E52
HW-CC141206CHQR	E34	HW-J201608CHTLW	E47	HW-MP1816CS	E56-E58	HW-N4X16PBW	E42
HW-CC141206CHTL	E35	HW-J201608SC	E44	HW-MP1816FG	E56-E58	HW-N4X1732	E38
HW-CC141208CHQR	E34	HW-J60404CHQR	E46	HW-MP1816FG	E56-E58	HW-N4X1PB	E40
HW-CC141208CHTL	E35	HW-J60404CHQRW	E48	HW-MP1816SS	E56-E58	HW-N4X1PB-22	E41
				HW-MP1816SS	E56-E58	HW-N4X201612CH	E52

PART NUMBER	PAGE	PART NUMBER	PAGE	PART NUMBER	PAGE	PART NUMBER	PAGE
HW-N4X20PBW	E43	HW-WM2420A	E56-E58	JWA8	G12	JWRB84C	G12
HW-N4X241206CH	E52	HW-WM2420CS	E56-E58	JWBH2	G12	JWRB86C	G12
HW-N4X241210CH	E52	HW-WM2424A	E56-E58	JWBH4	G12	JWS2	G12
HW-N4X242008CH	E52	HW-WM2424CS	E56-E58	JWBH6	G12	JWS4	G12
HW-N4X242410CH	E52	HW-WM3020A	E56-E58	JWBH8	G12	JWS6	G12
HW-N4X242412CH	E52	HW-WM3020CS	E56-E58	JWD2	G12	JWS8	G12
HW-N4X25PBW	E42	HW-WM3024A	E56-E58	JWD4	G12	JWSC22	G12
HW-N4X2PB	E40	HW-WM3024CS	E56-E58	JWD6	G12	JWSC44	G12
HW-N4X2PB-22	E41	HW-WM3630A	E56-E58	JWD8	G12	JWSC66	G12
HW-N4X302006CH	E52	HW-WM3630CS	E56-E58	JWE2	G12	JWT2	G12
HW-N4X302008CH	E52	HW-WM3636A	E56-E58	JWE4	G12	JWT4	G12
HW-N4X302010CH	E52	HW-WM3636CS	E56-E58	JWE6	G12	JWT6	G12
HW-N4X302012CH	E52	HW-WM3648A	E56-E58	JWE8	G12	JWT8	G12
HW-N4X302408CH	E52	HW-WM3648CS	E56-E58	JWF2	G12	JWX2	G12
HW-N4X302410CH	E52	HW-WM4836A	E56-E58	JWF4	G12	JWX4	G12
HW-N4X302412CH	E52	HW-WM4836CS	E56-E58	JWF6	G12	JWX6	G12
HW-N4X332	E38	HW-WM6036A	E56-E58	JWF8	G12	JWX8	G12
HW-N4X363008CH	E52	HW-WM6036CS	E56-E58	JWFF2	G12	L020245	G3
HW-N4X363010CH	E52	JIC040202	C14	JWFF4	G12	L020245G	G3
HW-N4X363012CH	E52	JIC0403025	C14	JWFF6	G12	L020290	G3
HW-N4X3PB	E40	JIC040403	C14	JWFF8	G12	L020290G	G3
HW-N4X3PB-22	E41	JW21	G12	JWG22	G12	L040445	G3
HW-N4X483612CH	E52	JW210	G12	JWG44	G12	L040445G	G3
HW-N4X483616CH	E52	JW22	G12	JWG66	G12	L040490	G3
HW-N4X4PB	E40	JW23	G12	JWG88	G12	L040490G	G3
HW-N4X4PB-22	E41	JW24	G12	JWL452	G12	L060645	G3
HW-N4X4PBW	E42	JW25	G12	JWL454	G12	L060645G	G3
HW-N4X532	E38	JW41	G12	JWL456	G12	L060690	G3
HW-N4X5PB	E40	JW410	G12	JWL458	G12	L060690G	G3
HW-N4X5PB-22	E41	JW42	G12	JWL902	G12	L080845	G3
HW-N4X603612CH	E52	JW43	G12	JWL904	G12	L080845G	G3
HW-N4X603616CH	E52	JW44	G12	JWL906	G12	L080890	G3
HW-N4X644	E38	JW45	G12	JWL908	G12	L080890G	G3
HW-N4X6PB	E40	JW4BK60	G12	JWN221	G12	L101045	G3
HW-N4X6PB-22	E41	JW61	G12	JWN222	G12	L101045G	G3
HW-N4X6PBW	E42	JW610	G12	JWN223	G12	L101090	G3
HW-N4X763SC	E39	JW62	G12	JWN226	G12	L101090G	G3
HW-N4X7PB	E40	JW63	G12	JWN441	G12	L121245	G3
HW-N4X7PB-22	E41	JW64	G12	JWN442	G12	L121245G	G3
HW-N4X832	E38	JW65	G12	JWN443	G12	L121290	G3
HW-N4X844	E38	JW6BK60	G12	JWN446	G12	L121290G	G3
HW-N4X932	E38	JW81	G12	JWN661	G12	LHPC02	J17
HW-N4X963SC	E39	JW810	G12	JWN662	G12	LJW1261	G8
HW-N4X9PBW	E42	JW82	G12	JWN663	G12	LJW12610	G8
HW-N4XMTGFTKIT	E59	JW83	G12	JWN666	G12	LJW1262	G8
HW-WM1610A	E56-E58	JW84	G12	JWN881	G12	LJW1263	G8
HW-WM1610CS	E56-E58	JW85	G12	JWN882	G12	LJW1264	G8
HW-WM2016A	E56-E58	JW8BK60	G12	JWN883	G12	LJW1265	G8
HW-WM2016CS	E56-E58	JWA2	G12	JWN886	G12	LJW126ASP	G8
HW-WM2412A	E56-E58	JWA4	G12	JWRB42C	G12	LJW126QRSP	G8
HW-WM2412CS	E56-E58	JWA6	G12	JWRB64C	G12	LJW21	G8

PART NUMBER	PAGE	PART NUMBER	PAGE	PART NUMBER	PAGE	PART NUMBER	PAGE
LJW210.....	G8	LJWA8.....	G8	LJWN666.....	G8	N12201206.....	C15
LJW21CCW.....	G8	LJWE126.....	G8	LJWN881.....	G8	N12201208.....	C15
LJW21CW.....	G8	LJWE2.....	G8	LJWN882.....	G8	N12201606.....	C15
LJW22.....	G8	LJWE4.....	G8	LJWN883.....	G8	N12201608.....	C15
LJW23.....	G8	LJWE6.....	G8	LJWN886.....	G8	N12201610.....	C15
LJW24.....	G8	LJWE8.....	G8	LJWRB1266.....	G8	N12201612.....	C15
LJW25.....	G8	LJWF126.....	G8	LJWRB42.....	G8	N12202006.....	C15
LJW2ASP.....	G8	LJWF2.....	G8	LJWRB64.....	G8	N12202008.....	C15
LJW2QRSP.....	G8	LJWF4.....	G8	LJWRB86.....	G8	N12202010.....	C15
LJW41.....	G8	LJWF6.....	G8	LJWS126.....	G8	N12202406.....	C15
LJW410.....	G8	LJWF8.....	G8	LJWS2.....	G8	N12202408.....	C15
LJW41CCW.....	G8	LJWL45126A.....	G8	LJWS4.....	G8	N12241206.....	C15
LJW41CW.....	G8	LJWL452A.....	G8	LJWS6.....	G8	N12241208.....	C15
LJW42.....	G8	LJWL452B.....	G8	LJWS8.....	G8	N12241210.....	C15
LJW43.....	G8	LJWL452C.....	G8	LJWT126A.....	G8	N12241606.....	C15
LJW44.....	G8	LJWL454A.....	G8	LJWT2A.....	G8	N12241608.....	C15
LJW45.....	G8	LJWL454B.....	G8	LJWT2C.....	G8	N12242006.....	C15
LJW4ASP.....	G8	LJWL454C.....	G8	LJWT4A.....	G8	N12242008.....	C15
LJW4QRSP.....	G8	LJWL456A.....	G8	LJWT4C.....	G8	N12242010.....	C15
LJW61.....	G8	LJWL456B.....	G8	LJWT6A.....	G8	N12242012.....	C15
LJW610.....	G8	LJWL456C.....	G8	LJWT6C.....	G8	N12242016.....	C15
LJW61CCW.....	G8	LJWL458A.....	G8	LJWT8A.....	G8	N12242406.....	C15
LJW61CW.....	G8	LJWL458B.....	G8	LJWT8C.....	G8	N12242408.....	C15
LJW62.....	G8	LJWL458C.....	G8	LJWX126.....	G8	N12242410.....	C15
LJW63.....	G8	LJWL90126A.....	G8	LJWX2.....	G8	N12242412.....	C15
LJW64.....	G8	LJWL90126B.....	G8	LJWX4.....	G8	N12242416.....	C15
LJW65.....	G8	LJWL90126C.....	G8	LJWX6.....	G8	N12243008.....	C15
LJW6ASP.....	G8	LJWL902A.....	G8	LJWX8.....	G8	N12301606.....	C15
LJW6QRSP.....	G8	LJWL902B.....	G8	LOH100806.....	B8	N12302006.....	C15
LJW81.....	G8	LJWL902C.....	G8	LOH121006.....	B8	N12302008.....	C15
LJW810.....	G8	LJWL904A.....	G8	LOH121206.....	B8	N12302010.....	C15
LJW81CCW.....	G8	LJWL904B.....	G8	LOH161206.....	B8	N12302406.....	C15
LJW81CW.....	G8	LJWL904C.....	G8	LOH161606.....	B8	N12302408.....	C15
LJW82.....	G8	LJWL906A.....	G8	LOH201606.....	B8	N12302410.....	C15
LJW83.....	G8	LJWL906B.....	G8	LOH202008.....	B8	N12302412.....	C15
LJW84.....	G8	LJWL906C.....	G8	LOH242008.....	B8	N12302416.....	C15
LJW85.....	G8	LJWL908A.....	G8	LOH242408.....	B8	N12302420.....	C15
LJW8ASP.....	G8	LJWL908B.....	G8	LOH302408.....	B8	N12302424.....	C15
LJW8QRSP.....	G8	LJWL908C.....	G8	MM08600-4.....	K38	N12303008.....	C15
LJW902CCW.....	G8	LJWN1266.....	G8	MM08601-5.....	K38	N12303012.....	C15
LJW902CW.....	G8	LJWN221.....	G8	MM08602-7.....	K38	N12303608.....	C15
LJW904CCW.....	G8	LJWN222.....	G8	MM08608-10.....	K38	N12362406.....	C15
LJW904CW.....	G8	LJWN223.....	G8	N12122406.....	C15	N12362408.....	C15
LJW906CCW.....	G8	LJWN226.....	G8	N12122408.....	C15	N12362410.....	C15
LJW906CW.....	G8	LJWN441.....	G8	N12161206.....	C15	N12362412.....	C15
LJW908CCW.....	G8	LJWN442.....	G8	N12161208.....	C15	N12363006.....	C15
LJW908CW.....	G8	LJWN443.....	G8	N12161210.....	C15	N12363008.....	C15
LJWA126.....	G8	LJWN446.....	G8	N12161606.....	C15	N12363010.....	C15
LJWA2.....	G8	LJWN661.....	G8	N12161608.....	C15	N12363012.....	C15
LJWA4.....	G8	LJWN662.....	G8	N12162006.....	C15	N12363016.....	C15
LJWA6.....	G8	LJWN663.....	G8	N12162008.....	C15	N12363020.....	C15

PART NUMBER	PAGE	PART NUMBER	PAGE	PART NUMBER	PAGE	PART NUMBER	PAGE
N12363608.....	C15	N1C080806.....	A8	N1P0608.....	I3	N41214TWPL.....	J14
N12363612.....	C15	N1C081004.....	A8	N1P0808.....	I3	N41214TWPL3.....	J14
N12422408.....	C15	N1C081006.....	A8	N1P0810.....	I3	N412161206C.....	D8
N12423008.....	C15	N1C101004.....	A8	N1P1010.....	I3	N412161206SSAC.....	E16
N12423010.....	C15	N1C101006.....	A8	N1P1012.....	I3	N412161206SSC.....	E16
N12423012.....	C15	N1C101204.....	A8	N1P1212.....	I3	N412161206WC.....	D10
N12423608.....	C15	N1C101206.....	A8	N1P1214.....	I3	N412161206WSSC.....	E18
N12423610.....	C15	N1C121204.....	A8	N1P1216.....	I3	N412161208C.....	D8
N12423612.....	C15	N1C121206.....	A8	N1P1216L.....	I3	N412161208SSAC.....	E16
N12423616.....	C15	N1C121208.....	A8	N1P1220.....	I3	N412161208SSC.....	E16
N12482408.....	C15	N1C121404.....	A8	N1P1616.....	I3	N412161208WC.....	D10
N12483008.....	C15	N1C121406.....	A8	N1P1620.....	I3	N412161208WSSC.....	E18
N12483010.....	C15	N1C121408.....	A8	N1P1624.....	I3	N412161606C.....	D8
N12483608.....	C15	N1C121606LP.....	A10	N1P2016.....	I3	N412161606SSAC.....	E16
N12483610.....	C15	N1C121606S.....	A8	N1P2020.....	I3	N412161606SSC.....	E16
N12483612.....	C15	N1C121608LP.....	A10	N1P2024.....	I3	N412161608C.....	D8
N12483616.....	C15	N1C122006.....	A10	N1P2030.....	I3	N412161608SSAC.....	E16
N12483620.....	C15	N1C14T.....	J13	N1P2420.....	I3	N412161608SSC.....	E16
N12544208.....	C22	N1C14TKL.....	A10	N1P2424.....	I3	N412162006C.....	D8
N12603608.....	C15	N1C161606LP.....	A10	N1P2430.....	I3	N412162008C.....	D8
N12603610.....	C15	N1C162006LP.....	A10	N1P2436.....	I3	N412162008SSAC.....	E16
N12603612.....	C15	N1C162008LP.....	A10	N1P3030.....	I3	N412162008SSC.....	E16
N12603616.....	C15	N1C162406LP.....	A10	N1P3036.....	I3	N412201606C.....	D8
N12603620.....	C15	N1C201606LP.....	A10	N412121206C.....	D8	N412201606SSAC.....	E16
N12604808.....	C22	N1C202006LP.....	A10	N412121206SSAC.....	E16	N412201606SSC.....	E16
N12604810.....	C22	N1C202008LP.....	A10	N412121206SSC.....	E16	N412201606WC.....	D10
N12604812.....	C22	N1C202406LP.....	A10	N412121206WC.....	D10	N412201606WSSC.....	E18
N12604816.....	C22	N1C202408LP.....	A10	N412121206WSSC.....	E18	N412201608C.....	D8
N12604820.....	C22	N1C202410LP.....	A10	N412121208WC.....	D10	N412201608SSAC.....	E16
N12604824.....	C22	N1C203006LP.....	A10	N412121208WSSC.....	E18	N412201608SSC.....	E16
N12606010.....	C22	N1C242008LP.....	A10	N41214SQ.....	J13	N412201608WC.....	D10
N12606012.....	C22	N1C242406LP.....	A10	N41214SQ3.....	J13	N412201608WSSC.....	E18
N12606016.....	C22	N1C242408LP.....	A10	N41214SQK.....	J13	N412202006C.....	D8
N12606024.....	C22	N1C242412LP.....	A10	N41214T4.....	J14	N412202006SSAC.....	E16
N12723012.....	C12	N1C243006LP.....	A10	N41214TB3.....	J14	N412202006SSC.....	E16
N12723016.....	C12	N1C243008LP.....	A10	N41214TBJ.....	J14	N412202006WC.....	D10
N12723612.....	C12	N1C243010LP.....	A10	N41214TBK.....	J14	N412202006WSSC.....	E18
N12726010.....	C22	N1C243012LP.....	A10	N41214TSS.....	J13	N412202008C.....	D8
N12726012.....	C22	N1C243606LP.....	A10	N41214TSS3.....	J13	N412202008SSAC.....	E16
N12726016.....	C22	N1C243608LP.....	A10	N41214TTH.....	J14	N412202008SSC.....	E16
N12726020.....	C22	N1C303008LP.....	A10	N41214TTH3.....	J14	N412202008WC.....	D10
N12726024.....	C22	N1C303606LP.....	A10	N41214TTH3KL.....	J14	N412202008WSSC.....	E18
N12727210.....	C22	N1C303608LP.....	A10	N41214TTHKL.....	J14	N412202012C.....	D8
N12727212.....	C22	N1C303612LP.....	A10	N41214TTRI.....	J13	N412202012SSAC.....	E16
N12727216.....	C22	N1C304209.....	A12	N41214TTRI3.....	J13	N412202012SSC.....	E16
N12727220.....	C22	N1C304213.....	A12	N41214TTRIK.....	J13	N412202012WC.....	D10
N12727224.....	C22	N1C364209.....	A12	N41214TVP.....	J13	N412202012WSSC.....	E18
N1C060604.....	A8	N1C364809.....	A12	N41214TVP3.....	J13	N412202208CD.....	NEW PRODUCT
N1C060804.....	A8	N1C364811.....	A12	N41214TVPK.....	J13	N412202208CDSS.....	NEW PRODUCT
N1C060806.....	A8	N1C364817.....	A12	N41214TW.....	J14	N412202408C.....	D8
N1C080804.....	A8	N1P0606.....	I3	N41214TW3.....	J14	N412241606C.....	D8

PART NUMBER	PAGE	PART NUMBER	PAGE	PART NUMBER	PAGE	PART NUMBER	PAGE
N412241608C	D8	N412302420C	D8	N412MFK	J6	N4S723124FS	D16
N412241608SSAC	E16	N412302420WC	D10	N412MFKSS	J6	N4S723124FSSS	E26
N412241608SSC	E16	N412302420WSSC	E18	N4161206	D12	N4S723124FSSSA	E26
N412242006C	D8	N412302608CD	NEW PRODUCT	N4161208	D12	N4S723724FS	D16
N412242006WC	D10	N412302608CDSS	NEW PRODUCT	N4161606	D12	N4S723724FSSS	E26
N412242006WSSC	E18	N412303008C	D8	N4162006	D12	N4S723724FSSSA	E26
N412242008C	D8	N412303008SSAC	E16	N4201606	D12	NP1212	I4
N412242008SSAC	E16	N412303008SSC	E16	N4201608	D12	NP1224	I4
N412242008SSC	E16	N412303012C	D8	N4201610	D12	NP1612	I4
N412242008WC	D10	N412362408C	D8	N4202006	D12	NP1612SSA	I4
N412242008WSSC	E18	N412362408SSAC	E16	N4202008	D12	NP1616	I4
N412242012C	D8	N412362408SSC	E16	N4202408	D12	NP1616SSA	I4
N412242012WC	D10	N412362412C	D8	N4241206	D12	NP1620	I4
N412242012WSSC	E18	N412362412SSAC	E16	N4241606	D12	NP2012	I4
N412242208CD	NEW PRODUCT	N412362412SSC	E16	N4242006	D12	NP2016	I4
N412242208CDSS	NEW PRODUCT	N412362608CD	NEW PRODUCT	N4242008	D12	NP2016SSA	I4
N412242406C	D8	N412362608CDSS	NEW PRODUCT	N4242010	D12	NP2020	I4
N412242406WC	D10	N412363008C	D8	N4242406	D12	NP2020SSA	I4
N412242406WSSC	E18	N412363008SSAC	E16	N4242408	D12	NP2024	I4
N412242408C	D8	N412363008SSC	E16	N4243008	D12	NP2412	I4
N412242408SSAC	E16	N412363012C	D8	N4302006	D12	NP2416	I4
N412242408SSC	E16	N412363012SSAC	E16	N4302008	D12	NP2416SSA	I4
N412242408WC	D10	N412363012SSC	E16	N4302406	D12	NP2420	I4
N412242408WSSC	E18	N412363016C	D8	N4302408	D12	NP2420SSA	I4
N412242412C	D8	N412363020C	D8	N4302410	D12	NP2424	I4
N412242412SSAC	E16	N412363208CD	NEW PRODUCT	N4302412	D12	NP2424SSA	I4
N412242412SSC	E16	N412363208CDSS	NEW PRODUCT	N4303008	D12	NP2430	I4
N412242412WC	D10	N412363608C	D8	N4362406	D12	NP3016	I4
N412242412WSSC	E18	N412363612C	D8	N4362408	D12	NP3020	I4
N412242416C	D8	N412363612SSAC	E16	N4363008	D12	NP3020SSA	I4
N412242416WC	D10	N412363612SSC	E16	N4363010	D12	NP3024	I4
N412242416WSSC	E18	N412402412C	D8	N4363012	D12	NP3024SSA	I4
N412242420C	D8	N412423212CD	NEW PRODUCT	N4363016	D12	NP3030	I4
N412242420WC	D10	N412423212CDSS	NEW PRODUCT	N4423008	D12	NP3030SSA	I4
N412242420WSSC	E18	N412423612C	D8	N4423608	D12	NP3036	I4
N412242608CD	NEW PRODUCT	N412423612SSAC	E16	N4483010	D12	NP3042	I4
N412242608CDSS	NEW PRODUCT	N412423612SSC	E16	N4483608	D12	NP3042SSA	I4
N412243008C	D8	N412423812CD	NEW PRODUCT	N4483610	D12	NP3630	I4
N412302008C	D8	N412423812CDSS	NEW PRODUCT	N4483612	D12	NP3630SSA	I4
N412302406WC	D10	N412482412C	D8	N4483616	D12	NP3636	I4
N412302406WSSC	E18	N412483612C	D8	N4603608	D12	NP3636SSA	I4
N412302408C	D8	N412483612SSAC	E16	N4603610	D12	NP3642	I4
N412302408SSAC	E16	N412483612SSC	E16	N4603616	D12	NP3642SSA	I4
N412302408SSC	E16	N412483616C	D8	N4D624810	D14	NP4024	I4
N412302408WC	D10	N412483812CD	NEW PRODUCT	N4D626012	D14	NP4224	I4
N412302408WSSC	E18	N412483812CDSS	NEW PRODUCT	N4D746012	D14	NP4230	I4
N412302412C	D8	N412603612C	D8	N4D747212	D14	NP4230SSA	I4
N412302412SSAC	E16	N412603612SSAC	E16	N4D747224	D14	NP4236	I4
N412302412SSC	E16	N412603612SSC	E16	N4S722518FS	D16	NP4236SSA	I4
N412302412WC	D10	N412603812CD	NEW PRODUCT	N4S722518FSSS	E26	NP4824	I4
N412302412WSSC	E18	N412603812CDSS	NEW PRODUCT	N4S722518FSSSA	E26	NP4830	I4

PART NUMBER	PAGE	PART NUMBER	PAGE	PART NUMBER	PAGE	PART NUMBER	PAGE
NP4836	.14	PA0808G	.G3	PBSS4A	.E2	RHC081006	.B4
NP4836SSA	.14	PA1010	.G3	PBSS6	.E2	RHC101206	.B4
NP6030	.14	PA1010G	.G3	PBSS6A	.E2	RHC121206	.B4
NP6036	.14	PA1212	.G3	PBSS9	.E2	RHC161206	.B6
NP6036SSA	.14	PA1212G	.G3	PBSS9A	.E2	RHC161606	.B6
NP7230	.14	PB1	.H18	PBXD1	.H22	RHC201606	.B6
NP7236	.14	PB10	.H18	PBXD10	.H22	RHC202008	.B6
NPDD4242	.16	PB10BC	.H18	PBXD12	.H22	RHC242008	.B6
NPDD4260	.16	PB12	.H18	PBXD16	.H22	RHC242408	.B6
NPDD4842	.16	PB12BC	.H18	PBXD16SS	.E4	RHC302408	.B6
NPDD4848	.16	PB16	.H18	PBXD16V	.H22	RHC303012	.B6
NPDD5442	.16	PB16BC	.H18	PBXD1SS	.E4	RHC303016	.B6
NPDD6048	.16	PB1BC	.H18	PBXD2	.H22	RHC362412	.B6
NPDD6060	.16	PB2	.H18	PBXD20	.H22	RHC363012	.B6
NPDD7260	.16	PB25	.H18	PBXD25	.H22	RHC363612	.B6
NPDD7272	.16	PB25BC	.H18	PBXD2SS	.E4	RHC423012	.B6
P0604	.12	PB2BC	.H18	PBXD3	.H22	RHC423612	.B6
P0604AL	.12	PB3	.H18	PBXD3SS	.E4	RHC483612	.B6
P0604SS	.12	PB3BC	.H18	PBXD4	.H22	RHC483616	.B6
P0606	.12	PB4	.H18	PBXD4S	.H22	RHC603612	.B6
P0606AL	.12	PB4BC	.H18	PBXD4SS	.E4	RSC040404	.B2
P0606SS	.12	PB4S	.H18	PBXD6	.H22	RSC040404G	.B2
P0806	.12	PB4SBC	.H18	PBXD9	.H22	RSC040604	.B2
P0806AL	.12	PB5	.H18	PBYX12	.H26	RSC040604G	.B2
P0806SS	.12	PB5BC	.H18	PBYX16	.H27	RSC060604	.B2
P0808	.12	PB6	.H18	PBYX20	.H28	RSC060604G	.B2
P1008	.12	PB6BC	.H18	PBYX25	.H29	RSC060606	.B2
P1008AL	.12	PB6VL	.H18	PBYX30	.H30	RSC060606G	.B2
P1008SS	.12	PB6VLBC	.H18	PBYX36	.H31	RSC060804	.B2
P1010	.12	PB8	.H18	PBYX42	.H32	RSC060804G	.B2
P1206	.12	PB8BC	.H18	PBYX4S	.H33	RSC060806	.B2
P1210	.12	PB9	.H18	PBYX6	.H34	RSC060806G	.B2
P1210AL	.12	PB9BC	.H18	PBYX9	.H35	RSC080804	.B2
P1210SS	.12	PBGX1	.H20	PSL1	.H24	RSC080804G	.B2
P1212	.12	PBGX12	.H20	PSL2	.H24	RSC080806	.B2
P1212SS	.12	PBGX2	.H20	PSL3	.H24	RSC080806G	.B2
P1408	.12	PBGX20	.H20	PSL4	.H24	RSC081004	.B2
P1412	.12	PBGX25	.H20	R0402	.G3	RSC081004G	.B2
P1412AL	.12	PBGX3	.H20	R0402G	.G3	RSC081006	.B2
P1412SS	.12	PBGX4	.H20	R0604	.G3	RSC081006G	.B2
P1610	.12	PBGX6	.H20	R0604G	.G3	RSC081206	.B2
P1614	.12	PBGX9	.H20	R0806	.G3	RSC081206G	.B2
P1614AL	.12	PBSS1	.E2	R0806G	.G3	RSC101004	.B2
P1614SS	.12	PBSS12	.E2	R1008	.G3	RSC101004G	.B2
PA0202	.G3	PBSS12A	.E2	R1008G	.G3	RSC101006	.B2
PA0202G	.G3	PBSS1A	.E2	R1208	.G3	RSC101006G	.B2
PA0404	.G3	PBSS2	.E2	R1208G	.G3	RSC101204	.B2
PA0404G	.G3	PBSS2A	.E2	RHC060604	.B4	RSC101204G	.B2
PA0606	.G3	PBSS3	.E2	RHC060804	.B4	RSC101206	.B2
PA0606G	.G3	PBSS3A	.E2	RHC080804	.B4	RSC101206G	.B2
PA0808	.G3	PBSS4	.E2	RHC080806	.B4	RSC121204	.B2

PART NUMBER	PAGE	PART NUMBER	PAGE	PART NUMBER	PAGE	PART NUMBER	PAGE
RSC121204G	B2	RSC363612	B2	S101072NK	G2	S4424	G2
RSC121206	B2	RSC363612G	B2	S1212120GNK	G2	S4424G	G2
RSC121206G	B2	RSC363616	B2	S1212120NK	G2	S4424GNK	G2
RSC121208	B2	RSC363616G	B2	S121212GNK	G2	S4424NK	G2
RSC121208G	B2	RSC364816	B2	S121212NK	G2	S4436	G2
RSC121210	B2	RSC364816G	B2	S121224GNK	G2	S4436G	G2
RSC121210G	B2	RSCG040412	G18	S121224NK	G2	S4436GNK	G2
RSC121504	B2	RSCG040412G	G18	S121236GNK	G2	S4436NK	G2
RSC121504G	B2	RSCG040424	G18	S121236NK	G2	S4448	G2
RSC121506	B2	RSCG040424G	G18	S121248GNK	G2	S4448G	G2
RSC121506G	B2	RSCG040436	G18	S121248NK	G2	S4448GNK	G2
RSC121806	B2	RSCG040436G	G18	S121260GNK	G2	S4448NK	G2
RSC121806G	B2	RSCG040448	G18	S121260NK	G2	S4460	G2
RSC121808	B2	RSCG040448G	G18	S121272GNK	G2	S4460G	G2
RSC121808G	B2	RSCG040460	G18	S121272NK	G2	S4460GNK	G2
RSC151806	B2	RSCG040460G	G18	S2212	G2	S4460NK	G2
RSC151806G	B2	RSCG060612	G18	S22120	G2	S4472	G2
RSC151808	B2	RSCG060612G	G18	S22120G	G2	S4472G	G2
RSC151808G	B2	RSCG060624	G18	S22120GNK	G2	S4472GNK	G2
RSC161610	B2	RSCG060624G	G18	S22120NK	G2	S4472NK	G2
RSC161610G	B2	RSCG060636	G18	S2212G	G2	S6612	G2
RSC181804	B2	RSCG060636G	G18	S2212GNK	G2	S66120	G2
RSC181804G	B2	RSCG060648	G18	S2212NK	G2	S66120G	G2
RSC181806	B2	RSCG060648G	G18	S2224	G2	S66120GNK	G2
RSC181806G	B2	RSCG060660	G18	S2224G	G2	S66120NK	G2
RSC181808	B2	RSCG060660G	G18	S2224GNK	G2	S6612G	G2
RSC181808G	B2	RSCG060672	G18	S2224NK	G2	S6612GNK	G2
RSC182406	B2	RSCG060672G	G18	S2236	G2	S6612NK	G2
RSC182406G	B2	RSCG080824	G18	S2236G	G2	S6624	G2
RSC182408	B2	RSCG080824G	G18	S2236GNK	G2	S6624G	G2
RSC182408G	B2	RSCG080836	G18	S2236NK	G2	S6624GNK	G2
RSC202408	B2	RSCG080836G	G18	S2248	G2	S6624NK	G2
RSC202408G	B2	RSCG080848	G18	S2248G	G2	S6636	G2
RSC242406	B2	RSCG080848G	G18	S2248GNK	G2	S6636G	G2
RSC242406G	B2	RSCG080860	G18	S2248NK	G2	S6636GNK	G2
RSC242408	B2	RSCG080860G	G18	S2260	G2	S6636NK	G2
RSC242408G	B2	RSCG080872	G18	S2260G	G2	S6648	G2
RSC242412	B2	RSCG080872G	G18	S2260GNK	G2	S6648G	G2
RSC242412G	B2	S1010120GNK	G2	S2260NK	G2	S6648GNK	G2
RSC242416	B2	S1010120NK	G2	S2272	G2	S6648NK	G2
RSC242416G	B2	S101012GNK	G2	S2272G	G2	S6660	G2
RSC243008	B2	S101012NK	G2	S2272GNK	G2	S6660G	G2
RSC243008G	B2	S101024GNK	G2	S2272NK	G2	S6660GNK	G2
RSC243612	B2	S101024NK	G2	S4412	G2	S6660NK	G2
RSC243612G	B2	S101036GNK	G2	S44120	G2	S6672	G2
RSC303012	B2	S101036NK	G2	S44120G	G2	S6672G	G2
RSC303012G	B2	S101048GNK	G2	S44120GNK	G2	S6672GNK	G2
RSC303016	B2	S101048NK	G2	S44120NK	G2	S6672NK	G2
RSC303016G	B2	S101060GNK	G2	S4412G	G2	S8812	G2
RSC303612	B2	S101060NK	G2	S4412GNK	G2	S88120	G2
RSC303612G	B2	S101072GNK	G2	S4412NK	G2	S88120G	G2

PART NUMBER	PAGE	PART NUMBER	PAGE	PART NUMBER	PAGE	PART NUMBER	PAGE
S88120GNK	G2	SC061204GNK	A2	SC121204G	A2	SC122406	A2
S88120NK	G2	SC061204NK	A2	SC121204GNK	A2	SC122406G	A2
S8812G	G2	SC061206	A2	SC121204NK	A2	SC122406GNK	A2
S8812GNK	G2	SC061206G	A2	SC121206	A2	SC122406NK	A2
S8812NK	G2	SC061206GNK	A2	SC121206G	A2	SC122408	A2
S8824	G2	SC061206NK	A2	SC121206GNK	A2	SC122408G	A2
S8824G	G2	SC080804	A2	SC121206NK	A2	SC122408GNK	A2
S8824GNK	G2	SC080804G	A2	SC121208	A2	SC122408NK	A2
S8824NK	G2	SC080804GNK	A2	SC121208G	A2	SC122410	A2
S8836	G2	SC080804NK	A2	SC121208GNK	A2	SC122410G	A2
S8836G	G2	SC080806	A2	SC121208NK	A2	SC122410GNK	A2
S8836GNK	G2	SC080806G	A2	SC121210	A2	SC122410NK	A2
S8836NK	G2	SC080806GNK	A2	SC121210G	A2	SC122412	A2
S8848	G2	SC080806NK	A2	SC121210GNK	A2	SC122412G	A2
S8848G	G2	SC080808	A2	SC121210NK	A2	SC122412GNK	A2
S8848GNK	G2	SC080808G	A2	SC121212	A2	SC122412NK	A2
S8848NK	G2	SC080808GNK	A2	SC121212G	A2	SC151504	A2
S8860	G2	SC080808NK	A2	SC121212GNK	A2	SC151504G	A2
S8860G	G2	SC081004	A2	SC121212NK	A2	SC151504GNK	A2
S8860GNK	G2	SC081004G	A2	SC121504	A2	SC151504NK	A2
S8860NK	G2	SC081004GNK	A2	SC121504G	A2	SC151506	A2
S8872	G2	SC081004NK	A2	SC121504GNK	A2	SC151506G	A2
S8872G	G2	SC081006	A2	SC121504NK	A2	SC151506GNK	A2
S8872GNK	G2	SC081006G	A2	SC121506	A2	SC151506NK	A2
S8872NK	G2	SC081006GNK	A2	SC121506G	A2	SC151804	A2
SC040404	A2	SC081006NK	A2	SC121506GNK	A2	SC151804G	A2
SC040404G	A2	SC081204	A2	SC121506NK	A2	SC151804GNK	A2
SC040404GNK	A2	SC081204G	A2	SC121608	A2	SC151804NK	A2
SC040404NK	A2	SC081204GNK	A2	SC121608G	A2	SC151806	A2
SC040604	A2	SC081204NK	A2	SC121608GNK	A2	SC151806G	A2
SC040604G	A2	SC081206	A2	SC121608NK	A2	SC151806GNK	A2
SC040604GNK	A2	SC081206G	A2	SC121804	A2	SC151806NK	A2
SC040604NK	A2	SC081206GNK	A2	SC121804G	A2	SC181804	A2
SC060604	A2	SC081206NK	A2	SC121804GNK	A2	SC181804G	A2
SC060604G	A2	SC101004	A2	SC121804NK	A2	SC181804GNK	A2
SC060604GNK	A2	SC101004G	A2	SC121806	A2	SC181804NK	A2
SC060604NK	A2	SC101004GNK	A2	SC121806G	A2	SC181806	A2
SC060606	A2	SC101004NK	A2	SC121806GNK	A2	SC181806G	A2
SC060606G	A2	SC101006	A2	SC121806NK	A2	SC181806GNK	A2
SC060606GNK	A2	SC101006G	A2	SC121808	A2	SC181806NK	A2
SC060606NK	A2	SC101006GNK	A2	SC121808G	A2	SC181808	A2
SC060804	A2	SC101006NK	A2	SC121808GNK	A2	SC181808G	A2
SC060804G	A2	SC101204	A2	SC121808NK	A2	SC181808GNK	A2
SC060804GNK	A2	SC101204G	A2	SC121810	A2	SC181808NK	A2
SC060804NK	A2	SC101204GNK	A2	SC121810G	A2	SC181810	A2
SC060806	A2	SC101204NK	A2	SC121810GNK	A2	SC181810G	A2
SC060806G	A2	SC101206	A2	SC121810NK	A2	SC181810GNK	A2
SC060806GNK	A2	SC101206G	A2	SC122404	A2	SC181810NK	A2
SC060806NK	A2	SC101206GNK	A2	SC122404G	A2	SC181812	A2
SC061204	A2	SC101206NK	A2	SC122404GNK	A2	SC181812G	A2
SC061204G	A2	SC121204	A2	SC122404NK	A2	SC181812GNK	A2

PART NUMBER	PAGE	PART NUMBER	PAGE	PART NUMBER	PAGE	PART NUMBER	PAGE
SC181812NK	A2	SC243008GNK	A2	SC363610G	A2	SDN12202108	F2
SC182404	A2	SC243008NK	A2	SC363610GNK	A2	SDN12202108PL	NEW PRODUCT
SC182404G	A2	SC243010	A2	SC363610NK	A2	SDN12202110	F2
SC182404GNK	A2	SC243010G	A2	SC363612	A2	SDN12202110PL	NEW PRODUCT
SC182404NK	A2	SC243010GNK	A2	SC363612G	A2	SDN12242108	F2
SC182406	A2	SC243010NK	A2	SC363612GNK	A2	SDN12242108PL	NEW PRODUCT
SC182406G	A2	SC243012	A2	SC363612NK	A2	SDN12242110	F2
SC182406GNK	A2	SC243012G	A2	SCF0404	A2	SDN12242110PL	NEW PRODUCT
SC182406NK	A2	SC243012GNK	A2	SCF0404G	A2	SDN12242508	F2
SC182408	A2	SC243012NK	A2	SCF0406	A2	SDN12242508PL	NEW PRODUCT
SC182408G	A2	SC243608	A2	SCF0406G	A2	SDN12242510	F2
SC182408GNK	A2	SC243608G	A2	SCF0606	A2	SDN12242510PL	NEW PRODUCT
SC182408NK	A2	SC243608GNK	A2	SCF0606G	A2	SDN12302108	F2
SC182410	A2	SC243608NK	A2	SCF0608	A2	SDN12302108PL	NEW PRODUCT
SC182410G	A2	SC243610	A2	SCF0608G	A2	SDN12302110	F2
SC182410GNK	A2	SC243610G	A2	SCF0612	A2	SDN12302110PL	NEW PRODUCT
SC182410NK	A2	SC243610GNK	A2	SCF0612G	A2	SDN12302508	F2
SC182412	A2	SC243610NK	A2	SCF0808	A2	SDN12302508PL	NEW PRODUCT
SC182412G	A2	SC243612	A2	SCF0808G	A2	SDN12302510	F2
SC182412GNK	A2	SC243612G	A2	SCF0810	A2	SDN12302510PL	NEW PRODUCT
SC182412NK	A2	SC243612GNK	A2	SCF0810G	A2	SDN12302612	F2
SC183004	A2	SC243612NK	A2	SCF0812	A2	SDN12302612PL	NEW PRODUCT
SC183004G	A2	SC303008	A2	SCF0812G	A2	SDN12362508	F2
SC183004GNK	A2	SC303008G	A2	SCF1010	A2	SDN12362508PL	NEW PRODUCT
SC183004NK	A2	SC303008GNK	A2	SCF1010G	A2	SDN12362510	F2
SC242404	A2	SC303008NK	A2	SCF1012	A2	SDN12362510PL	NEW PRODUCT
SC242404G	A2	SC303010	A2	SCF1012G	A2	SDN12363108	F2
SC242404GNK	A2	SC303010G	A2	SCF1212	A2	SDN12363108PL	NEW PRODUCT
SC242404NK	A2	SC303010GNK	A2	SCF1212G	A2	SDN12363110	F2
SC242406	A2	SC303010NK	A2	SCF1215	A2	SDN12363110PL	NEW PRODUCT
SC242406G	A2	SC303012	A2	SCF1215G	A2	SDN12363116	F2
SC242406GNK	A2	SC303012G	A2	SCF1216	A2	SDN12363116PL	NEW PRODUCT
SC242406NK	A2	SC303012GNK	A2	SCF1216G	A2	SDN12363212	F2
SC242408	A2	SC303012NK	A2	SCF1218	A2	SDN12363212PL	NEW PRODUCT
SC242408G	A2	SC303608	A2	SCF1218G	A2	SDN12423108	F2
SC242408GNK	A2	SC303608G	A2	SCF1224	A2	SDN12423108PL	NEW PRODUCT
SC242408NK	A2	SC303608GNK	A2	SCF1224G	A2	SDN12423110	F2
SC242410	A2	SC303608NK	A2	SCF1515	A2	SDN12423110PL	NEW PRODUCT
SC242410G	A2	SC303610	A2	SCF1515G	A2	SDN12423212	F2
SC242410GNK	A2	SC303610G	A2	SCF1518	A2	SDN12423212PL	NEW PRODUCT
SC242410NK	A2	SC303610GNK	A2	SCF1518G	A2	SDN12423708	F2
SC242412	A2	SC303610NK	A2	SCF1616	A2	SDN12423708PL	NEW PRODUCT
SC242412G	A2	SC303612	A2	SCF1616G	A2	SDN12423710	F2
SC242412GNK	A2	SC303612G	A2	SCF1818	A2	SDN12423710PL	NEW PRODUCT
SC242412NK	A2	SC303612GNK	A2	SCF1818G	A2	SDN12423812	F2
SC243006	A2	SC303612NK	A2	SCF1824	A2	SDN12423812PL	NEW PRODUCT
SC243006G	A2	SC363608	A2	SCF1824G	A2	SDN12483708	F2
SC243006GNK	A2	SC363608G	A2	SCF1830	A2	SDN12483708PL	NEW PRODUCT
SC243006NK	A2	SC363608GNK	A2	SCF1830G	A2	SDN12483710	F2
SC243008	A2	SC363608NK	A2	SCF2424	A2	SDN12483710PL	NEW PRODUCT
SC243008G	A2	SC363610	A2	SCF2424G	A2	SDN12483812	F2

PART NUMBER	PAGE	PART NUMBER	PAGE	PART NUMBER	PAGE	PART NUMBER	PAGE
SDN12483812PL.....NEW PRODUCT		SSFK2412.....	J10	SSN4202008A.....	E20	SSN4483610A.....	E20
SDN12483816.....	F2	SSJW41.....	G16	SSN4202408.....	E20	SSN4483612.....	E20
SDN12483816PL.....NEW PRODUCT		SSJW410.....	G16	SSN4202408A.....	E20	SSN4483612A.....	E20
SDN12603710.....	F2	SSJW42.....	G16	SSN4241608.....	E20	SSN4483616.....	E20
SDN12603710PL.....NEW PRODUCT		SSJW43.....	G16	SSN4241608A.....	E20	SSN4483616A.....	E20
SDN12603808.....	F2	SSJW44.....	G16	SSN4242006.....	E20	SSN4603612.....	E20
SDN12603808PL.....NEW PRODUCT		SSJW45.....	G16	SSN4242006A.....	E20	SSN4603612A.....	E20
SDN12603812.....	F2	SSJW61.....	G16	SSN4242008.....	E20	SSN4603616.....	E20
SDN12603812PL.....NEW PRODUCT		SSJW610.....	G16	SSN4242008A.....	E20	SSN4603616A.....	E20
SDN12603812A.....	F2	SSJW62.....	G16	SSN4242010.....	E20	SSN4D624812.....	E24
SDN12603816.....	F2	SSJW63.....	G16	SSN4242010A.....	E20	SSN4D626012.....	E24
SDN12603816PL.....NEW PRODUCT		SSJW64.....	G16	SSN4242406A.....	E20	SSN4D747212.....	E24
SL020290.....	G3	SSJW65.....	G16	SSN4242408.....	E20	SSN4D747224.....	E24
SL020290G.....	G3	SSJWA4.....	G16	SSN4242408A.....	E20	SSN4X242108.....	F20
SL040490.....	G3	SSJWA6.....	G16	SSN4242412.....	E20	SSN4X242508.....	F20
SL040490G.....	G3	SSJWBH4.....	G16	SSN4242412A.....	E20	SSN4X302508.....	F20
SL060690.....	G3	SSJWBH6.....	G16	SSN4243008.....	E20	SSN4X362508.....	F20
SL060690G.....	G3	SSJWD4.....	G16	SSN4243008A.....	E20	SSN4X363108.....	F20
SL080890.....	G3	SSJWD6.....	G16	SSN4302008.....	E20	SSN4X423112.....	F20
SL080890G.....	G3	SSJWE4.....	G16	SSN4302008A.....	E20	SSN4X423712.....	F20
SL101090.....	G3	SSJWE6.....	G16	SSN4302408.....	E20	SSN4X483712.....	F20
SL101090G.....	G3	SSJWFF4.....	G16	SSN4302408A.....	E20	SSN4X603712.....	F20
SL121290.....	G3	SSJWFF6.....	G16	SSN4302410.....	E20	STFX05.....	K35
SL121290G.....	G3	SSJWL454.....	G16	SSN4302410A.....	E20	T0202.....	G3
SN4242108.....	F6	SSJWL456.....	G16	SSN4302412.....	E20	T0202G.....	G3
SN4242508.....	F6	SSJWL904.....	G16	SSN4302412A.....	E20	T0404.....	G3
SN4302508.....	F6	SSJWL906.....	G16	SSN4302416.....	E20	T0404G.....	G3
SN4363108.....	F6	SSJWN446.....	G16	SSN4302416A.....	E20	T0606.....	G3
SN4423112.....	F6	SSJWN666.....	G16	SSN4303008.....	E20	T0606G.....	G3
SN4423712.....	F6	SSJWRB64C.....	G16	SSN4303008A.....	E20	T0808.....	G3
SN4483712.....	F6	SSJWRB64E.....	G16	SSN4362408.....	E20	T0808G.....	G3
SN4603712.....	F6	SSJWS4.....	G16	SSN4362408A.....	E20	T1010.....	G3
SSDK12.....	J4	SSJWS6.....	G16	SSN4362410.....	E20	T1010G.....	G3
SSDK16.....	J4	SSJWT4.....	G16	SSN4362410A.....	E20	T1212.....	G3
SSDK20.....	J4	SSJWT6.....	G16	SSN4363008.....	E20	T121224CH.....	G20
SSDK24.....	J4	SSN4161206.....	E20	SSN4363008A.....	E20	T121236CH.....	G20
SSDK30.....	J4	SSN4161206A.....	E20	SSN4363010.....	E20	T121248CH.....	G20
SSDK36.....	J4	SSN4161208.....	E20	SSN4363010A.....	E20	T121260CH.....	G20
SSFK0608.....	J10	SSN4161208A.....	E20	SSN4363012.....	E20	T1212G.....	G3
SSFK0610.....	J10	SSN4161606.....	E20	SSN4363012A.....	E20	T2212CH.....	G20
SSFK0612.....	J10	SSN4161606A.....	E20	SSN4363016.....	E20	T2218CH.....	G20
SSFK0618.....	J10	SSN4162006.....	E20	SSN4363016A.....	E20	T2224CH.....	G20
SSFK0624.....	J10	SSN4162006A.....	E20	SSN4363612.....	E20	T2236CH.....	G20
SSFK1208.....	J10	SSN4201606.....	E20	SSN4363612A.....	E20	T2248CH.....	G20
SSFK1210.....	J10	SSN4201606A.....	E20	SSN4423010.....	E20	T2260CH.....	G20
SSFK1212.....	J10	SSN4201608.....	E20	SSN4423010A.....	E20	T2272CH.....	G20
SSFK1216.....	J10	SSN4201608A.....	E20	SSN4423608.....	E20	T4412CH.....	G20
SSFK1218.....	J10	SSN4201610.....	E20	SSN4423608A.....	E20	T4418CH.....	G20
SSFK1220.....	J10	SSN4201610A.....	E20	SSN4483608.....	E20	T4424CH.....	G20
SSFK1224.....	J10	SSN4202006.....	E20	SSN4483608A.....	E20	T4430CH.....	G20
SSFK2410.....	J10	SSN4202006A.....	E20	SSN4483610.....	E20	T4436CH.....	G20

PART NUMBER	PAGE	PART NUMBER	PAGE	PART NUMBER	PAGE	PART NUMBER	PAGE
T4448CH	G20	W2A4C6NP47L	K16	WA10AXFN	K26	WA21WHA	J12
T4460CH	G20	W2A4C6RP36R	K9	WA10AXFN2	K26	WA21WHAMTA	J12
T4472CH	G20	W2A4C7NP47L	K16	WA10JB	J8	WA22BAP	J12
T6612CH	G20	W2A4C8NP47L	K16	WA121004GIE	C12	WA242408FM	C20
T6618CH	G20	W2NA4C10P47R	K20	WA121006GIE	C12	WA242408GSC	D6
T6624CH	G20	W2NA4C2P32R	K19	WA1210JS	J8	WA242408GSCG	D6
T6630CH	G20	W2NA4C4P32R	K19	WA121204GSC	D6	WA244208WF	C18
T6636CH	G20	W2NA4C6P38R	K20	WA121204GSCG	D6	WA244808WF	C18
T6648CH	G20	W2NA4C7P38R	K20	WA121206GIE	C12	WA24NTMA2	J9
T6660CH	G20	W2NA4C8P47R	K20	WA121206GSC	D6	WA24NTMA3	J9
T6672CH	G20	W38OILFILTER	K23	WA121206GSCG	D6	WA24SBASE	H14
T8812CH	G20	W740900	K22	WA1212JS	J8	WA24SBASESS	H14
T8824CH	G20	W750400	K22	WA1212JTMA	J8	WA24T	J9
T8836CH	G20	W7901500	K22	WA121606GSC	D6	WA302408FM	C20
T8848CH	G20	W7971700	K22	WA121606GSCG	D6	WA303012GSC	D6
T8860CH	G20	W797SS1700	K22	WA121608GSC	D6	WA303012GSCG	D6
W01101120-5	K38	WA060604GIE	C12	WA121608GSCG	D6	WA304210WF	C20
W01800120-4	K38	WA060604GSC	D6	WA12JB	J8	WA304810WF	C20
W01800230-4	K38	WA060604GSCG	D6	WA12NTMA2	J9	WA306010WF	C20
W01801230-5	K38	WA060606GSC	D6	WA12T	J9	WA30T	J9
W01802120-7	K38	WA060606GSCG	D6	WA141206GIE	C12	WA3456BAP	J12
W01802230-7	K38	WA060804GSC	D6	WA1412JS	J8	WA363008FM	C20
W01803120-10	K38	WA060804GSCG	D6	WA14JB	J8	WA363612GSC	D6
W01803230-10	K38	WA060806GSC	D6	WA161206FM	C20	WA363612GSCG	D6
W1032N	C30	WA060806GSCG	D6	WA1614JS	J8	WA364212WF	C18
W11800F-4	K38	WA080604GIE	C12	WA1614JTMA	J8	WA364812WF	C18
W11801F-5	K38	WA0806JS	J8	WA161606GSC	D6	WA366012WF	C18
W11802F-7	K38	WA0806JTMA	J8	WA161606GSCG	D6	WA36T	J9
W11803F-10	K38	WA080804GIE	C12	WA161608GSC	D6	WA3C10NP47R	K16
W120ILFILTER	K23	WA080804GSC	D6	WA161608GSCG	D6	WA3C12NP47R	K16
W1C24	H2	WA080804GSCG	D6	WA16JB	J8	WA3C12RP47R	K10
W1C30	H2	WA080806GIE	C12	WA16NTMA2	J9	WA3C8RP47R	K10
W1C36	H2	WA080806GSC	D6	WA16T	J9	WA424212WF	C18
W1C42	H2	WA080806GSCG	D6	WA181806GSC	D6	WA424812WF	C18
W1C48	H2	WA0808JS	J8	WA181806GSCG	D6	WA426012WF	C18
W2A3C12RP47R	K10	WA0808JTMA	J8	WA18SBASE	H14	WA42T	J9
W2A3C8RP47R	K10	WA081004GSC	D6	WA18SBASESS	H14	WA44CCOL	H14
W2A4C10MML	K17	WA081004GSCG	D6	WA202006FM	C20	WA44CCOLSS	H14
W2A4C10NP47L	K16	WA08JB	J8	WA202008GSC	D6	WA44PBCOL	H14
W2A4C12MML	K17	WA100804GIE	C12	WA202008GSCG	D6	WA44PBCOLSS	H14
W2A4C12NP47L	K16	WA100806GIE	C12	WA202408GSC	D6	WA484812WF	C18
W2A4C2HTL	K21	WA1008JS	J8	WA202408GSCG	D6	WA48T	J9
W2A4C2ONP17L	K12	WA101004GSC	D6	WA20NTMA2	J9	WA4AXFN	K26
W2A4C2RP17R	K6	WA101004GSCG	D6	WA20T	J9	WA4AXFN2	K26
W2A4C3RP28R	K7	WA101006GIE	C12	WA21ABA	J12	WA4C10MML	K17
W2A4C4HTL	K21	WA101006GSC	D6	WA21ABVA	J12	WA4C12MML	K17
W2A4C4NP28L	K13	WA101006GSCG	D6	WA21BAP	J12	WA4C2HTL	K21
W2A4C4NP33L	K14	WA1010JS	J8	WA21CHVA	J12	WA4C2ONP17L	K12
W2A4C4NP36L	K15	WA1010JTMA	J8	WA21GETDA	J12	WA4C2RP17R	K6
W2A4C4RP33R	K8	WA101206GSC	D6	WA21ITE	J12	WA4C3RP28R	K7
W2A4C6NP36L	K15	WA101206GSCG	D6	WA21SDA	J12	WA4C4HTL	K21

PART NUMBER	PAGE	PART NUMBER	PAGE	PART NUMBER	PAGE	PART NUMBER	PAGE
WA4C4NP28L.....	K13	WA722430FSDA.....	C28	WA72P72F2.....	I8	WA9036SOF19.....	I11
WA4C4NP33L.....	K14	WA722436FSDA.....	C28	WA72RA19TH.....	I12	WA904820FSD.....	C26
WA4C4NP36L.....	K15	WA723018FS.....	C24	WA72RA24TH.....	I12	WA904820FSDSS.....	E28
WA4C4RP33R.....	K8	WA723018FSSS.....	E28	WA72RP24F5.....	I12	WA907220FSD.....	C26
WA4C6NP36R.....	K15	WA723024FS.....	C24	WA72RP24F6.....	I12	WA907220FSDSS.....	E28
WA4C6NP47L.....	K16	WA723024FSDA.....	C28	WA72RP30F5.....	I12	WA907224FSD.....	C26
WA4C6RP36R.....	K9	WA723024FSSS.....	E28	WA72RP30F6.....	I12	WA907224FSDAD.....	C28
WA4C7NP47L.....	K16	WA7230SOF19.....	I11	WA72SMP14.....	I10	WA907224FSDSS.....	E28
WA4C8NP47L.....	K16	WA723618FS.....	C24	WA72SMP20.....	I10	WA907236FSD.....	C26
WA602418FS.....	C24	WA723618FSSS.....	E28	WA72SP24F3.....	I9	WA907236FSDSS.....	E28
WA602418FSSS.....	E28	WA723624FS.....	C24	WA72SP24F4.....	I9	WA90FSCPS.....	C30
WA603624FS.....	C24	WA723624FSDA.....	C28	WA72SP30F3.....	I9	WA90P24F1.....	I7
WA603624FSSS.....	E28	WA723624FSSS.....	E28	WA72SP30F4.....	I9	WA90P24F2.....	I7
WA604818FSD.....	C26	WA723630FS.....	C24	WA72SP36F3.....	I9	WA90P36F1.....	I7
WA604818FSDSS.....	E28	WA723630FSSS.....	E28	WA72SP36F4.....	I9	WA90P36F2.....	I7
WA60CPX4912U.....	F30	WA723636FS.....	C24	WA72X6112U.....	F30	WA90P48F1.....	I8
WA60CPX4924U.....	F30	WA723636FSDA.....	C28	WA72X6118U.....	F30	WA90P48F2.....	I8
WA60CPX6112U.....	F30	WA723636FSSS.....	E28	WA72X7312U.....	F30	WA90P72F1.....	I8
WA60CPX6124U.....	F30	WA7236SOF19.....	I11	WA72X7318U.....	F30	WA90P72F2.....	I8
WA60FSCPS.....	C30	WA724818FSD.....	C26	WA72X7324U.....	F30	WA90RA19TH.....	I12
WA60P24F1.....	I7	WA724818FSDSS.....	E28	WA72XM2718U.....	F35	WA90RP24F5.....	I12
WA60P24F2.....	I7	WA724824FSD.....	C26	WA72XM3318U.....	F35	WA90RP24F6.....	I12
WA60P36F1.....	I7	WA724824FSDAD.....	C28	WA72XM3918U.....	F35	WA90SMP14.....	I10
WA60P36F2.....	I7	WA724824FSDSS.....	E28	WA72XM3EQ18U.....	F37	WA90SMP20.....	I10
WA60P48F1.....	I8	WA726018FSD.....	C26	WA72XM3EW18U.....	F37	WA90SP36F3.....	I9
WA60P48F2.....	I8	WA726018FSDSS.....	E28	WA72XM5318U.....	F36	WA90SP36F4.....	I9
WA60RA19TH.....	I12	WA726024FSD.....	C26	WA72XM6518U.....	F36	WA90XM3920U.....	F35
WA60RP24F5.....	I12	WA726024FSDAD.....	C28	WA72XM7718U.....	F36	WA90XM3924U.....	F35
WA60RP24F6.....	I12	WA726024FSDSS.....	E28	WA72XM7724U.....	F36	WA90XM3EW24U.....	F37
WA60SMP14.....	I10	WA726036FSD.....	C26	WA8.....	J15	WA90XM7720U.....	F36
WA60SP24F3.....	I9	WA726036FSDAD.....	C28	WA84XM3918U.....	F35	WA90XM7724U.....	F36
WA60SP24F4.....	I9	WA726036FSDSS.....	E28	WA84XM3EW18U.....	F37	WABN4JIC.....	J16
WA60SP36F3.....	I9	WA727218FSD.....	C26	WA84XM4EW18U.....	F38	WACLJIC.....	J15
WA60SP36F4.....	I9	WA727218FSDSS.....	E28	WA84XM5EW18U.....	F39	WACLSN12.....	J14
WA60X4912U.....	F30	WA727224FSD.....	C26	WA84XM7718U.....	F36	WACSHLF12.....	J3
WA60X4918U.....	F30	WA727224FSDAD.....	C28	WA86M3E.....	C32	WACSHLF18.....	J3
WA60X4924U.....	F30	WA727224FSDSS.....	E28	WA86M3E20.....	C32	WADSTOPK.....	J3
WA60X6112U.....	F30	WA72CPX7312U.....	F30	WA86M4E.....	C32	WAEK115.....	J7
WA60X6118U.....	F30	WA72CPX7318U.....	F30	WA86M4E20.....	C32	WAEK115NDH.....	J7
WA60X6124U.....	F30	WA72FSCPS.....	C30	WA86M5E.....	C32	WAEKDF.....	J7
WA66CCOL.....	H14	WA72P24F1.....	I7	WA86M5E20.....	C32	WAENST.....	J11
WA66CCOLSS.....	H14	WA72P24F2.....	I7	WA902420FS.....	C24	WAFLT33.....	K27
WA66PBCOL.....	H14	WA72P30F1.....	I7	WA902420FSSS.....	E28	WAFLT34.....	K27
WA66PBCOLSS.....	H14	WA72P30F2.....	I7	WA903620FS.....	C24	WAFLT44.....	K27
WA6AXFN.....	K26	WA72P36F1.....	I7	WA903620FSSS.....	E28	WAFLT64.....	K27
WA6AXFN2.....	K26	WA72P36F2.....	I7	WA903624FS.....	C24	WAFLT66.....	K27
WA722418FS.....	C24	WA72P48F1.....	I8	WA903624FSDA.....	C27	WAFLT812.....	K27
WA722418FSSS.....	E28	WA72P48F2.....	I8	WA903624FSSS.....	E28	WAFLT86.....	K27
WA722424FS.....	C24	WA72P60F1.....	I8	WA903636FS.....	C24	WAFLT88.....	K27
WA722424FSDA.....	C28	WA72P60F2.....	I8	WA903636FSDA.....	C27	WAFT44XSS.....	J16
WA722424FSSS.....	E28	WA72P72F1.....	I8	WA903636FSSS.....	E28	WAFT44XSSA.....	J16

PART NUMBER	PAGE	PART NUMBER	PAGE	PART NUMBER	PAGE	PART NUMBER	PAGE
WAGARD10	K26	WAS050SS	J4	WC1224B	H8	WC20C20	H12
WAGARD4	K26	WAS075	J4	WC1224T	H8	WC20C20SS	E14
WAGARD6	K26	WAS075SS	J4	WC1224W	H8	WC20C24	H12
WAGSE	J6	WAS100	J4	WC1248BD	H8	WC20C24SS	E14
WAJCDFK	J2	WAS100SS	J4	WC1248T	H8	WC20C30	H12
WAJICRA	J16	WAS125	J4	WC1248W	H8	WC20C30SS	E14
WAL12AR	J15	WAS125SS	J4	WC12B	H8	WC924B	H4
WAL12B	J15	WAS150	J4	WC12C	H8	WC936B	H4
WAL1A	J15	WAS150SS	J4	WC12C12	H12	WCR027350120	K31
WAL1B	J15	WAS200	J4	WC12C12SS	E14	WCR027350230	K31
WAL1C	J15	WAS200SS	J4	WC12C16	H12	WCR027550120	K31
WAL1D	J15	WAS250	J4	WC12C16SS	E14	WCR027550230	K31
WAL23	J15	WAS300	J4	WC12C20	H12	WCT242412	B10
WAL23SS	J16	WAS350	J4	WC12C20SS	E14	WCT303012	B10
WAL23SSA	J16	WAS400	J4	WC12C24	H12	WCT363012	B10
WAL2A	J15	WASPB	J4	WC12C24SS	E14	WCT363612	B10
WAL2B	J15	WASPBG	J4	WC12T	H8	WCT483616	B10
WAL2C	J15	WASPBGSS	J4	WC12W	H8	WDL026MAG	J17
WAL2D	J15	WASPSS	J4	WC1436B	H10	WDL026MSLT120	J17
WAL8	J15	WAVK0203	K27	WC1436P1	H10	WDL026SEAD	J17
WAMFK3RL014	B9	WAVK0203SSA	K27	WC1436P2	H10	WDL026SWLT120	J17
WAMFK3RL016	B9	WAVK0303	K27	WC1436P3	H10	WGNDKT	J7
WAN12RA	J16	WAVK0303SSA	K27	WC1436T	H10	WHVL031100120	K30
WAN4XRA	J16	WAVK0304	K27	WC1436W	H10	WHVL031150120	K30
WANADFK	J2	WAVK0304SSA	K27	WC1448BD	H10	WHVL031200120	K30
WAPLKJIC	J15	WAVK0404	K27	WC1448P2	H10	WHVL031300120	K30
WAPMK3RL014	B9	WAVK0404SSA	K27	WC1448P3	H10	WHVL031400120	K30
WAPMK3RL016	B9	WAVK0604	K27	WC1448T	H10	WKL025SWLT120	J17
WAPPL0606	J3	WAVK0604SSA	K27	WC1448W	H10	WMOD7218EPT	F45
WAPPL0810	J3	WAVK0606	K27	WC1460BD	H10	WMOD7218FTPT	F45
WAPS03	J11	WAVK0606SSA	K27	WC1460P2	H10	WMOD7218GK	F45
WAPS09	J11	WAVK0806	K27	WC1460P3	H10	WMOD723818	F43
WAPS1420CN	C30	WAVK0806SSA	K27	WC1460T	H10	WMOD727718	F44
WAPS3816CN	C30	WAVK0808	K27	WC1460W	H10	WMOD72X4018U	F43
WAPWK0503NF	J5	WAVK0808SSA	K27	WC14B	H10	WMOD72X7818U	F44
WAPWK0503SS	J5	WAVK0812	K27	WC14P1	H10	WMOD8418EPT	F45
WAPWK0905NF	J5	WAVK0812SSA	K27	WC14P2	H10	WMOD8418FTPT	F45
WAPWK0905SS	J5	WAVE	J6	WC14P3	H10	WMOD8418GK	F45
WAPWK1308NF	J5	WAX10	K25	WC14R	H10	WMOD8424EPT	F45
WAPWK1308SS	J5	WC08C08	H12	WC14T	H10	WMOD8424FTPT	F45
WAPWK1705NF	J5	WC08C08SS	E14	WC14W	H10	WMOD8424GK	F45
WAPWK1711NF	J5	WC08C12	H12	WC16C16	H12	WMOD843818	F43
WAPWK1711SS	J5	WC08C12SS	E14	WC16C16SS	E14	WMOD843824	F43
WAPWK2315NF	J5	WC08C16	H12	WC16C20	H12	WMOD847718	F44
WAPWK2315SS	J5	WC08C16SS	E14	WC16C20SS	E14	WMOD847724	F44
WAPWK2919NF	J5	WC08C20	H12	WC16C24	H12	WMOD84X4018U	F43
WAPWK3523NF	J5	WC08C20SS	E14	WC16C24SS	E14	WMOD84X4024U	F43
WARAK24	J12	WC10B	H6	WC16C30	H12	WMOD84X7818U	F44
WARAK30	J12	WC10C	H6	WC16C30SS	E14	WMOD84X7824U	F44
WARAK36	J12	WC10T	H6	WC16C36	H12	WN14C7P38R	K20
WAS050	J4	WC10W	H6	WC16C36SS	E14	WNA4C2P32R	K19

PART NUMBER	PAGE	PART NUMBER	PAGE	PART NUMBER	PAGE	PART NUMBER	PAGE
WNA4C4P32R.....	K19	WPF25-115BK.....	K40	WPFBE500.....	K25	WVC6-1.....	J18
WNA4C6P38R.....	K20	WPF30-115.....	K40	WPFBM100.....	K25	WWG11-1.....	J19
WPBA1.....	H16	WPF30-115BK.....	K40	WPFBM200.....	K25	WWG12-1.....	J19
WPBA10.....	H16	WPF50-115.....	K40	WPFBM500.....	K25	WWG13-1.....	J19
WPBA12.....	H16	WPF50-115BK.....	K40	WPF10.....	K42	WWG22-1.....	J19
WPBA12S.....	H16	WPF60-115.....	K40	WPF20.....	K42	WWG25-2.....	J19
WPBA16.....	H16	WPF60-115BK.....	K40	WPF25/30.....	K42	WWG33-1.....	J19
WPBA16S.....	H16	WPFA10.....	K41	WPF50/60.....	K42	WWG37-3.....	J19
WPBA2.....	H16	WPFA10BK.....	K41	WPFM10.....	K42	WWG77-6.....	J19
WPBA20.....	H16	WPFA20.....	K41	WPFM20.....	K42	X0202.....	G3
WPBA25.....	H16	WPFA20BK.....	K41	WPFM25/30.....	K42	X0202G.....	G3
WPBA3.....	H16	WPFA25/30.....	K41	WPFM25/30AC.....	K42	X0404.....	G3
WPBA30.....	H16	WPFA25/30BK.....	K41	WPFM50/60.....	K42	X0404G.....	G3
WPBA4.....	H16	WPFA50/60.....	K41	WPG10BE.....	K42	X0606.....	G3
WPBA4S.....	H16	WPFA50/60BK.....	K41	WPG10BK.....	K42	X0606G.....	G3
WPBA6.....	H16	WPF100115.....	K25	WPG20BE.....	K42	X0808.....	G3
WPBA8.....	H16	WPF100230.....	K25	WPG20BK.....	K42	X0808G.....	G3
WPBA9.....	H16	WPF200115.....	K25	WPG25/30BE.....	K42	X1010.....	G3
WPF10-115.....	K40	WPF200230.....	K25	WPG25/30BK.....	K42	X1010G.....	G3
WPF10-115BK.....	K40	WPF500115.....	K25	WPG50/60BE.....	K42	X1212.....	G3
WPF20-115.....	K40	WPF500230.....	K25	WPG50/60BK.....	K42	X1212G.....	G3
WPF20-115BK.....	K40	WPFBE100.....	K25	WVC1-1.....	J18	ZR011F.....	K33
WPF25-115.....	K40	WPFBE200.....	K25	WVC2-1.....	J18	ZR011C.....	K33

HUBBELL INC. Corporate Headquarters 584 Derby Milford Rd. Orange, CT 06477**HUBBELL INC. GROUPS AND SUBSIDIARIES**

Domestic

ELECTRICAL PRODUCTS

Bell	(574) 234-7151	3902 West Sample Street	South Bend, Indiana 46634-4002
Killark	(314) 531-0460	3940 Martin Luther King Drive	St. Louis, Missouri 63113
Raco	(574) 234-7151	3902 West Sample Street	South Bend, Indiana 46634-4002

COMMUNICATION TECHNOLOGY

Hubbell Premise Wiring, Inc.	(860) 535-8326	14 Lord's Hill Road	Stonington, Connecticut 06378-0901
Pulse Communications	(703) 471-2900	2900 Towerview Road	Herndon, Virginia 20171

LIGHTING

Devine Lighting	(816) 221-9440	One Design Way	North Kansas City, Missouri 64116
Hubbell Lighting, Inc.	(540) 382-6111	2000 Electric Way	Christiansburg, Virginia 24073-2500
Sterner Corporation	(952) 906-7300	7575 Corporate Way	Eden Prairie, Minnesota 55344-2022

POWER SYSTEMS

A.B. Chance Co.	(573) 682-5521	210 North Allen Street	Centralia, Missouri 65240
Anderson Electrical Products, Inc.	(205) 699-2411	940 Moores Street, N.E.	Leeds, Alabama 35094
Ohio Brass Co.	(330) 335-2361	8711 Wadsworth Road, State Rte. 57	Wadsworth, Ohio 44281

HUBBELL INDUSTRIAL TECHNOLOGY

GAI-Tronics Corporation	(610) 796-5900	400 E. Wyomissing Ave.	Mohnton, Pennsylvania 19540
Gleason Reel Corporation	(920) 387-4120	600 South Clark Street	Maryville, Wisconsin 53050-0026
Hipotronics, Inc.	(845) 279-8091	1650 Route 22 (North)	Brewster, New York 10509
Hubbell Industrial Controls	(440) 428-1161	50 Edwards Street	Madison, Ohio 44057
Wiegmann	(618) 539-3193	501 West Apple Street	Freeburg, Illinois 62243

WIRING SYSTEMS

Wiring Device - Kellems	(203) 882-4800	185 Plains Road	Milford, Connecticut 06460-2465
Bryant	(203) 876-3600	185 Plains Road	Milford, Connecticut 06460-2465
Unenco	(800) 245-9135	185 Plains Road	Milford, Connecticut 06460-2465
Wirecon	(203) 876-3625	185 Plains Road	Milford, Connecticut 06460-2465

INTERNATIONAL

Chalmit	011-44-141-882-5555	388 Hillington Road	Glasgow G524BL, UK
Haefely Test AG	011-61-373-4111	Ch-4028	Basel, Switzerland
Hubbell Canada, Inc.	(905) 839-1138	870 Brock Road	South Pickering, Ontario L1W 1Z8
Hubbell China	011-86-21-6217-3478	Room 2307, Westgate Mall 1038	Nanjing West Road, Shanghai, China
Hubbell de Mexico, S.A. De C.V.	011-525-559-8618 Ave.	Coyoacan 1051	Col. del Valle, 03100 Mexico, D.F. Mexico
Hubbell Incorporated Middle East	011-971-4 393-4194	Office #505, Al Waleed Bldg.	Rolla Street, P.O. Box 23529, Dubai, U.A.E.
Hubbell-International, Inc., Korea	011-82-2-607-1363	2nd Floor Jungwon Bldg.	1115-8 Hwagok-Dong, Kangseo-Ku Seoul, Korea 157-010
Hubbell, Ltd.	011-441-234-855444	Woburn Road Industrial Estate	Kempston, Bedford, England MK427SH
Hubbell S.E. Asia Pte., Ltd.	011-65-454-4772	159 Sin Ming Road, #05-08 Amtech Bldg.	Singapore 575625 - Rep. of Singapore
Hubbell-Taian Co. Ltd.	011-886-2-515-0855	12th Floor, 66, Sec. 2, Chien-Koo North Rd.	Taipei, Taiwan R.O.C.
Hubbell Turkey	011-90-216-4148147	Sogutluceme Cad., Firdevs Hand, No: 38/4	81300 Kadikoy Istanbul, Turkey

501 West Apple
Freeburg, IL 62243
TEL: 618.539.3193 FAX:618.539-5794
www.hubbell-wiegmann.com

Hubbell Industrial Technologies

A Division of Hubbell, Inc. (Delaware)

WG-CATALOG-2009 ©2009 Hubbell Industrial Technologies Printed in U.S.A.

WIEGMANN®

www.hubbell-wiegmann.com

