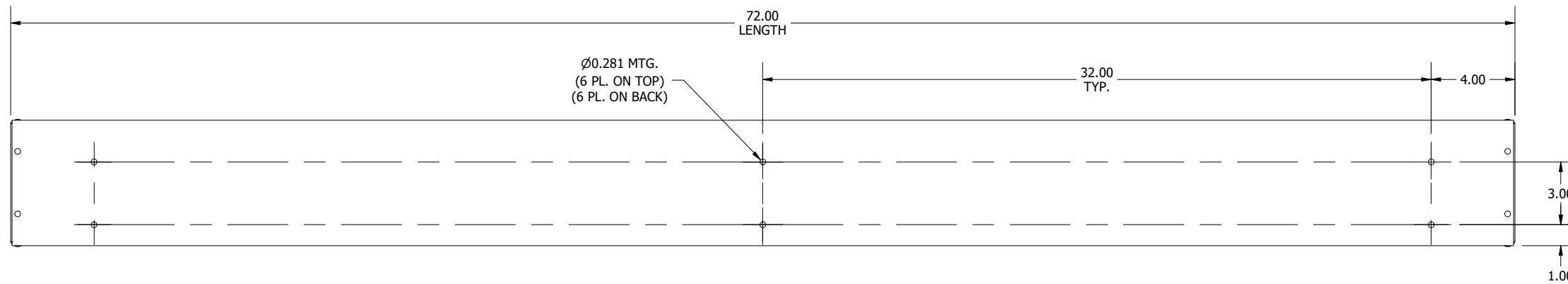
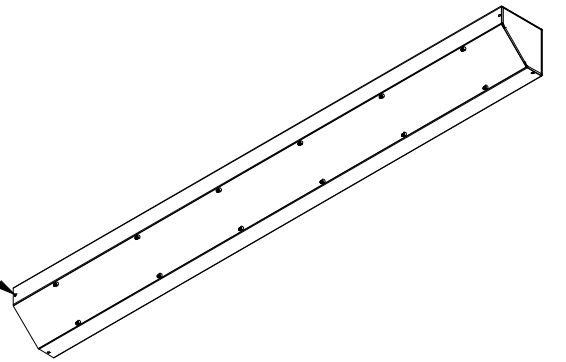
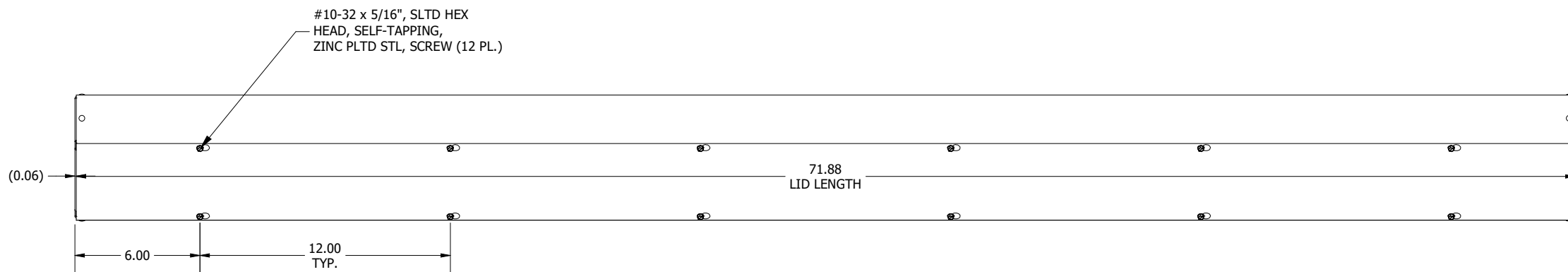
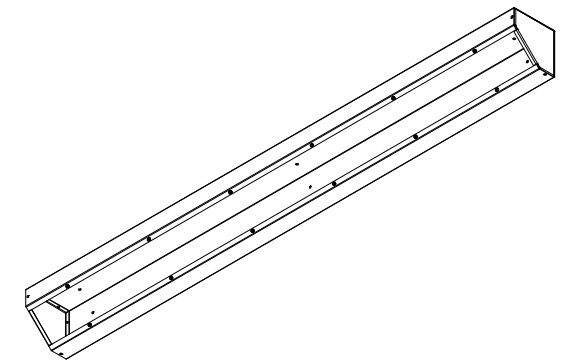


**VIEW A-A**  
(STRAIGHT-ON VIEW OF OPENING, LID REMOVED)

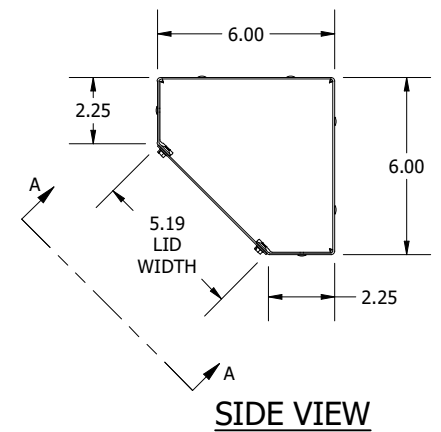
1/8" POP-RIVET (12 PL.)  
(ENDWALL INSTALLATION)



**TOP VIEW**



**FRONT VIEW**



**SIDE VIEW**

**PART #:S6672ATNK**  
 (DATA SUBJECT TO CHANGE WITHOUT NOTICE)  
 THIS DRAWING IS THE PROPERTY OF HUBBELL INC. WIEGMANN  
 ALL INFORMATION IS PROPRIETARY AND NOT TO BE DUPLICATED