

Title: Open AC Reactors Technical Specifications

Product(s): All AC Drives

Doc. No. PN.REACTORS.02

The following is a list of open reactors that can be used with Yaskawa Drives. The list includes the part number, ratings, and the dimensions of each reactor.

Contact Yaskawa with any questions on selecting, connecting, or installing these reactors.

Table of Contents

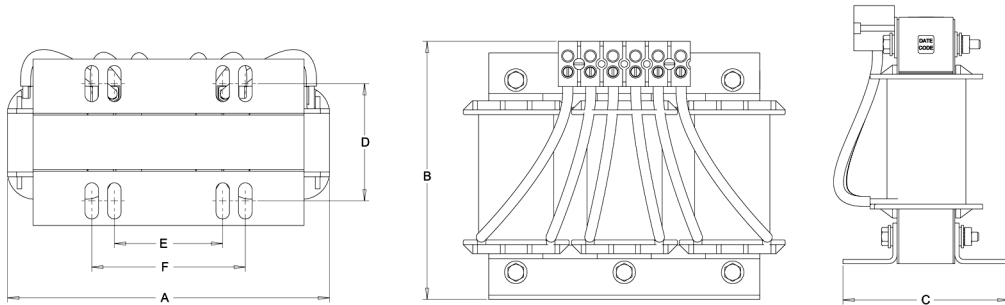
OPEN REACTOR DRAWINGS AND DETAILS2

Title: Open AC Reactors Technical Specifications

Product(s): All AC Drives

Doc. No. PN.REACTORS.02

Open AC Reactor Technical Specifications



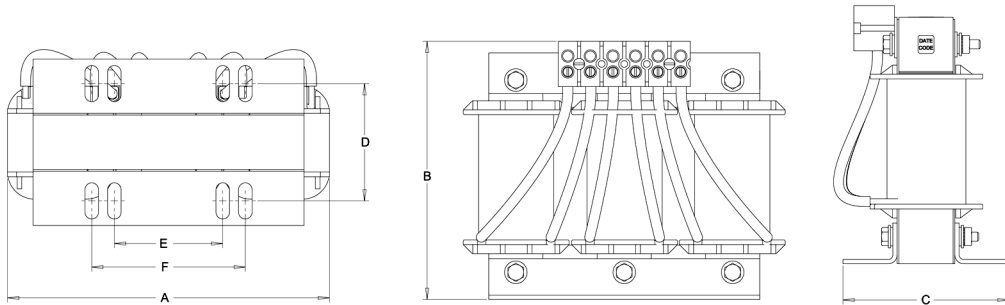
Reactor Part Number	Amp Rating	Inductance (mH)	Watt Loss	Dimensions						Wgt. Kg/Lbs.
				A	B	C	D	E	F	
				mm/in.	mm/in.	mm/in.	mm/in.	mm/in.	mm/in.	
05P00010-0282	80	0.4mh	86	226.1/8.9	180.3/7.1	144.8/5.7	88/3.5	92/3.63	108/4.3	15/33
05P00620-0012	45	1.2mh	65	226.1/8.9	185.4/7.3	129.5/5.1	93/3.7	76/3	108/4.3	15.4/34
05P00620-0013	130	0.2mh	180	243.8/9.6	182.9/7.2	152.4/6	93/3.7	92/3.63	108/4.3	19.5/43
05P00620-0014	2	20mh	11.3	106.7/4.2	101.6/4	66/2.6	50/2	37/1.4	65/2.6	1.8/4
05P00620-0017	4	3mh	14.5	106.7/4.2	101.6/4	66/2.6	50/2	37/1.4	65/2.6	1.8/4
05P00620-0018	4	9mh	20	106.7/4.2	101.6/4	76.2/3	60/2.4	37/1.4	65/2.6	2.3/5
05P00620-0024	8	1.5mh	19.5	149.9/5.9	116.8/4.6	73.7/2.9	53/2.1	51/2	76.2/3	3.2/7
05P00620-0025	8	5mh	25.3	149.9/5.9	119.4/4.7	83.8/3.3	67/2.6	51/2	76.2/3	43596
05P00620-0031	12	4.2mh	41	149.9/5.9	127/5	96.5/3.8	70/2.8	51/2	76.2/3	8.2/18
05P00620-0035	18	2.5mh	43	180.3/7.1	144.8/5.7	94/3.7	66/2.6	76/3	76.2/3	7.3/16
05P00620-0040	25	1.8mh	61	180.3/7.1	147.3/5.8	106.7/4.2	79/3.1	76/3	76.2/3	9.1/20
05P00620-0044	35	0.4mh	49	180.3/7.1	144.8/5.7	94/3.7	66/2.6	76/3	76.2/3	6.4/14
05P00620-0045	35	1.2mh	54	226.1/8.9	182.9/7.2	116.8/4.6	80/3.2	76/3	108/4.3	11.8/26
05P00620-0049	45	0.7mh	62	226.1/8.9	182.9/7.2	116.8/4.6	80/3.2	76/3	108/4.3	11.8/26
05P00620-0057	80	0.7mh	96	274.3/10.8	215.9/8.5	167.6/6.6	106/4.2	92/3.63	141.7/5.6	28.6/63
05P00620-0061	100	0.45mh	108	274.3/10.8	213.4/8.4	198.1/7.8	106/4.2	92/3.63	141.7/5.6	30.4/67
05P00620-0064	130	0.1mh	108	243.8/9.6	185.4/7.3	149.9/5.9	80/3.2	76/3	108/4.3	13.2/29
05P00620-0065	130	0.3mh	128	274.3/10.8	215.9/8.5	185.4/7.3	106/4.2	92/3.63	141.7/5.6	29/64
05P00620-0069	160	0.075mh	116	243.8/9.6	182.9/7.2	152.4/6	80/3.2	92/3.63	108/4.3	18.6/41
05P00620-0070	160	0.15mh	149	274.3/10.8	213.4/8.4	170.2/6.7	88/3.5	92/3.63	141.7/5.6	24.5/54
05P00620-0075	200	0.055mh	124	243.8/9.6	182.9/7.2	180.3/7.1	106/4.2	92/3.63	108/4.3	17.2/38
05P00620-0076	200	0.185mh	146	274.3/10.8	210.8/8.3	231.1/9.1	150/5.9	92/3.63	141.7/5.6	45.4/100
05P00620-0080	250	0.045mh	154	243.8/9.6	177.8/7	205.7/8.1	106/4.2	92/3.63	108/4.3	21.3/47
05P00620-0081	250	0.15mh	588	363.2/14.3	284.5/11.2	221/8.7	148/5.8	117/4.6	182.88/7.2	56.7/125
05P00620-0085	320	0.04mh	224	274.3/10.8	213.4/8.4	200.7/7.9	131/5.2	117/4.6	141.7/5.6	36.3/80
05P00620-0086	320	0.125mh	642	363.2/14.3	281.9/11.1	238.8/9.4	181/7.1	117/4.6	182.9/7.2	72.6/160
05P00620-0090	400	0.06mh	571	363.2/14.3	281.9/11.1	238.8/9.4	172/6.8	117/4.6	182.9/7.2	53.5/118

Title: Open AC Reactors Technical Specifications

Product(s): All AC Drives

Doc. No. PN.REACTORS.02

Open AC Reactor Technical Specifications (cont.)



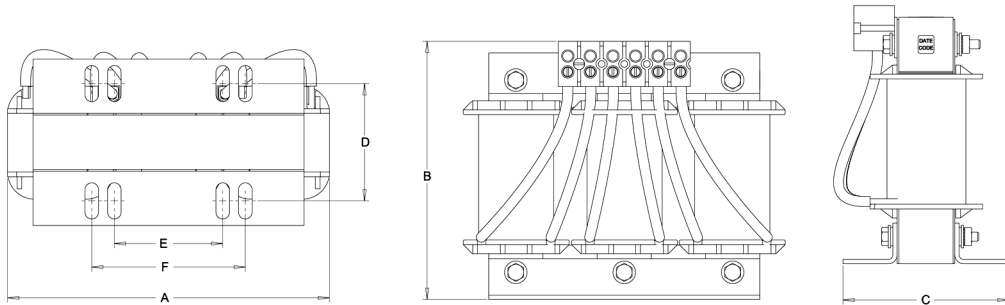
Reactor Part Number	Amp Rating	Inductance (mH)	Watt Loss	Dimensions						Wgt. Kg/Lbs.
				A	B	C	D	E	F	
				mm/in.	mm/in.	mm/in.	mm/in.	mm/in.	mm/in.	
05P00620-0091	400	0.105mh	293	363.2/14.3	281.9/11.1	276.9/10.9	184/7.3	117/4.6	182.9/7.2	67.6/149
05P00620-0094	500	0.05mh	694	363.2/14.3	281.9/11.1	269.2/10.6	172/6.8	117/4.6	182.9/7.2	72.6/160
05P00620-0098	600	0.04mh	689	363.2/14.3	281.9/11.1	279.4/11	203/8	117/4.6	182.9/7.2	79.4/175
05P00620-0102	750	0.029mh	630	363.2/14.3	281.9/11.1	292.1/11.5	204/8	183/7.2	182.9/7.2	86.2/190
05P00620-0131	2	12mh	7.5	106.7/4.2	101.6/4	66/2.6	50/2	37/1.4	65/2.6	1.8/4
05P00620-0132	4	6.5mh	20	106.7/4.2	101.6/4	66/2.6	50/2	37/1.4	65/2.6	1.8/4
05P00620-0133	8	3mh	29	149.9/5.9	116.8/4.6	73.7/2.9	53/2.1	51/2	76.2/3	3.6/8
05P00620-0134	12	1.25mh	26	149.9/5.9	127/5	81.3/3.2	53/2.1	51/2	76.2/3	4.1/9
05P00620-0135	12	2.5mh	31	149.9/5.9	127/5	81.3/3.2	53/2.1	51/2	76.2/3	4.5/10
05P00620-0136	18	0.8mh	36	149.9/5.9	129.5/5.1	81.3/3.2	54/2.1	51/2	76.2/3	4.1/9
05P00620-0137	18	1.5mh	43	149.9/5.9	129.5/5.1	88.9/3.5	63/2.5	51/2	76.2/3	5.4/12
05P00620-0138	25	1.2mh	52	180.3/7.1	147.3/5.8	86.7/3.4	60/2.4	76/3	76.2/3	6.4/14
05P00620-0139	35	0.8mh	54	180.3/7.1	147.3/5.8	94/3.7	70/2.8	76/3	76.2/3	7.3/16
05P00620-0140	45	0.3mh	54	226.1/8.9	180.3/7.1	116.8/4.6	80/3.2	76/3	108/4.3	43/60
05P00620-0141	55	0.25mh	64	228.6/9	175.3/6.9	134.6/5.3	80/3.2	76/3	108/4.3	10.9/24
05P00620-0142	55	0.5mh	67	228.6/9	175.3/6.9	134.6/5.3	80/3.2	76/3	108/4.3	11.8/26
05P00620-0143	80	0.2mh	82	226.1/8.9	175.3/6.9	144.8/5.7	88/3.5	92/3.63	108/4.3	11.3/25
05P00620-0144	80	0.4mh	86	226.1/8.9	180.3/7.1	144.8/5.7	88/3.5	92/3.63	108/4.3	15/33
05P00620-0145	100	0.3mh	84	226.1/8.9	177.8/7	167.6/6.6	93/3.7	92/3.63	108/4.3	16.8/37
05P00620-0146	200	0.11mh	168	243.8/9.6	182.9/7.2	200.7/7.9	112/4.4	92/3.63	108/4.3	24.5/54
05P00620-0147	250	0.09mh	231	274.3/10.8	215.9/8.5	193/7.6	131/5.2	117/4.6	141.7/5.6	36.3/80
05P00620-0148	320	0.075mh	264	274.3/10.8	213.4/8.4	226.1/8.9	149/5.9	117/4.6	141.7/5.6	46.3/102
URX000075	1	100mh	14.1	106.7/4.2	101.6/4	76.2/3	61/2.4	37/1.4	65/2.6	1.8/4
URX000076	1	50mh	14.8	111.8/4.4	104.1/4.1	71.1/2.8	50/2	37/1.4	65/2.6	1.8/4
URX000077	1	36mh	12	111.8/4.4	104.1/4.1	71.1/2.8	50/2	37/1.4	65/2.6	1.4/3
URX000078	1	18mh	8	111.8/4.4	104.1/4.1	71.1/2.8	50/2	37/1.4	65/2.6	1.4/3
URX000079	2	32mh	16	106.7/4.2	101.6/4	66/2.6	50/2	37/1.4	65/2.6	1.8/4

Title: Open AC Reactors Technical Specifications

Product(s): All AC Drives

Doc. No. PN.REACTORS.02

Open AC Reactor Technical Specifications (cont.)



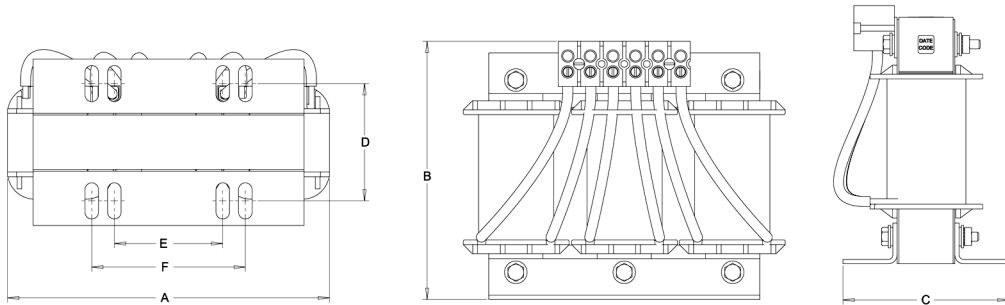
Reactor Part Number	Amp Rating	Inductance (mH)	Watt Loss	Dimensions						Wgt. Kg/Lbs.
				A	B	C	D	E	F	
				mm/in.	mm/in.	mm/in.	mm/in.	mm/in.	mm/in.	
URX000080	2	6mh	10.7	106.7/4.2	101.6/4	66/2.6	44/1.7	37/1.4	65/2.6	1.4/3
URX000081	4	12mh	21	106.7/4.2	101.6/4	83.8/3.3	66/2.6	37/1.4	65/2.6	2.7/6
URX000082	8	7.5mh	28	149.9/5.9	119.4/4.7	83.8/3.3	63/2.5	51/2	76.2/3	5.9/13
URX000083	25	0.5mh	48	180.3/7.1	144.8/5.7	86.7/3.4	60/2.4	76/3	76.2/3	43596
URX000084	55	0.85mh	71	226.1/8.9	175.3/6.9	160/6.3	99/3.9	76/3	108/4.3	15.4/34
URX000085	100	0.15mh	94	226.1/8.9	177.8/7	152.4/6	88/3.5	92/3.62	108/4.3	13.2/29
URX000086	160	0.23mh	138	274.3/10.8	215.9/8.5	187/7.4	118/4.7	92/3.63	141.7/5.6	33.6/74
URX000087	400	0.03mh	213	279.4/11	213.4/8.4	218.4/8.6	131/5.2	117/4.6	141.7/5.6	38.1/84
URX000088	500	0.025mh	226	274.3/10.8	215.9/8.5	238.8/9.4	140/5.5	117/4.6	141.7/5.6	42.2/93
URX000089	500	0.085mh	985	363.2/14.3	281.9/11.1	330.2/13	248/9.8	117/4.6	182.9/7.2	95.3/210
URX000090	600	0.02mh	609	363.2/14.3	281.9/11.1	223.5/8.8	134/5.3	117/4.6	182.9/7.2	54.4/120
URX000091	600	0.065mh	406	363.2/14.3	281.9/11.1	342.9/13.5	235/9.3	117/4.6	182.9/7.2	122.5/270
URX000092	750	0.015mh	713	363.2/14.3	284.5/11.2	264.2/10.4	168/6.6	183/7.2	182.9/7.2	63.5/140
URX000093	750	0.048mh	552	355.6/14	358.1/14.1	330.2/13	242/9.5	183/7.2	182.9/7.2	120.2/265
URX000175	250	0.045mh	154	243.8/9.6	177.8/7	205.7/8.1	106/4.2	92/3.63	108/4.3	21.3/47
URX000176	250	0.09mh	231	274.3/10.8	215.9/8.5	193/7.6	131/5.2	117/4.6	141.7/5.6	36.3/80
URX000177	250	0.15mh	588	363.2/14.3	284.5/11.2	221/8.7	148/5.8	117/4.6	182.88/7.2	56.7/125
URX000178	320	0.04mh	224	274.3/10.8	213.4/8.4	200.7/7.9	131/5.2	117/4.6	141.7/5.6	36.3/80
URX000179	320	0.075mh	264	274.3/10.8	213.4/8.4	226.1/8.9	149/5.9	117/4.6	141.7/5.6	46.3/102
URX000180	320	0.125mh	642	363.2/14.3	281.9/11.1	238.8/9.4	181/7.1	117/4.6	182.9/7.2	72.6/160
URX000181	400	0.03mh	213	279.4/11	213.4/8.4	218.4/8.6	131/5.2	117/4.6	141.7/5.6	38.1/84
URX000182	400	0.06mh	571	363.2/14.3	281.9/11.1	238.8/9.4	172/6.8	117/4.6	182.9/7.2	53.5/118
URX000183	400	0.105mh	293	363.2/14.3	281.9/11.1	276.9/10.9	184/7.3	117/4.6	182.9/7.2	67.6/149
URX000229	850	0.015mh	798	452.1/17.8	393.7/15.5	375.9/14.8	199.6/7.9	183/7.2	182.9/7.2	88.5/195
URX000230	850	0.027mh	930	452.1/17.8	393.7/15.5	393.7/15.5	N/A	N/A	182.9/7.2	97.5/215
URX000231	850	0.042mh	1133	452.1/17.8	401.3/15.8	444.5/17.5	N/A	N/A	182.9/7.2	142.9/315
URX000232	900	0.014mh	655	411.5/16.2	365.8/14.4	350.5/13.8	N/A	N/A	182.9/7.2	88.5/195

Title: Open AC Reactors Technical Specifications

Product(s): All AC Drives

Doc. No. PN.REACTORS.02

Open AC Reactor Technical Specifications (cont.)



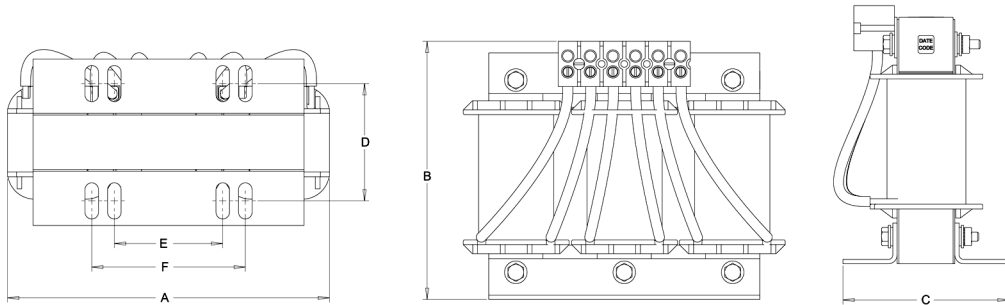
Reactor Part Number	Amp Rating	Inductance (mH)	Watt Loss	Dimensions						Wgt. Kg/Lbs.
				A	B	C	D	E	F	
				mm/in.	mm/in.	mm/in.	mm/in.	mm/in.	mm/in.	
URX000233	900	0.025mh	1020	431.8/17	370.8/14.6	373.4/14.7	N/A	N/A	182.9/7.2	97.5/215
URX000234	900	0.04mh	1365	452.1/17.8	401.3/15.8	434.3/17.1	N/A	N/A	182.9/7.2	142.9/315
URX000235	1000	0.011mh	810	431.8/17	365.8/14.4	317.5/12.5	N/A	N/A	182.9/7.2	65.3/144
URX000236	1000	0.022mh	1080	431.8/17	370.8/14.6	373.4/14.7	N/A	N/A	182.9/7.2	97.5/215
URX000237	1000	0.038mh	1250	431.8/17	370.8/14.6	436.9/17.2	N/A	N/A	182.9/7.2	142.9/315
URX000238	1200	0.009mh	870	431.8/17	373.4/14.7	350.5/13.8	N/A	N/A	182.9/7.2	88.5/195
URX000239	1200	0.019mh	1270	431.8/17	378.5/14.9	411.5/16.2	N/A	N/A	182.9/7.2	124.7/275
URX000240	1200	0.03mh	1530	431.8/17	373.4/14.7	449.6/17.7	N/A	N/A	182.9/7.2	176.9/390
URX000270	200	0.11mh	168	243.8/9.6	182.9/7.2	200.7/7.9	112/4.4	92/3.63	108/4.3	24.5/54
URX000271	200	0.185mh	146	274.3/10.8	210.8/8.3	231.1/9.1	150/5.9	92/3.63	141.7/5.6	45.4/100
URX000275	0.5	22mH	2.3	114.3/4.5	94/3.7	38.1/1.5	N/A	N/A	101.6/4	0.9/2
URX000276	0.5	46mH	3.6	114.3/4.5	94/3.7	38.1/1.5	N/A	N/A	101.6/4	0.9/2
URX000277	0.5	74mH	4.8	114.3/4.5	94/3.7	38.1/1.5	N/A	N/A	101.6/4	0.9/2
URX000278	0.5	92mH	5.4	114.3/4.5	94/3.7	38.1/1.5	N/A	N/A	101.6/4	0.9/2
URX000279	0.75	15mH	4.2	114.3/4.5	94/3.7	38.1/1.5	N/A	N/A	101.6/4	0.9/2
URX000280	0.75	31mH	6.6	114.3/4.5	94/3.7	38.1/1.5	N/A	N/A	101.6/4	0.9/2
URX000280	0.75	31mH	6.6	114.3/4.5	94/3.7	38.1/1.5	N/A	N/A	101.6/4	0.9/2
URX000281	0.75	49mH	8.8	114.3/4.5	94/3.7	38.1/1.5	N/A	N/A	101.6/4	0.9/2
URX000281	0.75	49mH	8.8	114.3/4.5	94/3.7	38.1/1.5	N/A	N/A	101.6/4	0.9/2
URX000282	0.75	61mH	10.1	114.3/4.5	94/3.7	38.1/1.5	N/A	N/A	101.6/4	0.9/2
URX000283	1.1	10mH	4.8	114.3/4.5	94/3.7	38.1/1.5	N/A	N/A	101.6/4	0.9/2
URX000283	1.1	10mH	4.8	114.3/4.5	94/3.7	38.1/1.5	N/A	N/A	101.6/4	0.9/2
URX000284	1.1	21mH	7.8	114.3/4.5	94/3.7	38.1/1.5	N/A	N/A	101.6/4	0.9/2
URX000285	1.1	33mH	10.1	114.3/4.5	94/3.7	38.1/1.5	N/A	N/A	101.6/4	0.9/2
URX000286	1.1	42mH	11.9	114.3/4.5	94/3.7	38.1/1.5	N/A	N/A	101.6/4	0.9/2
URX000287	1.6	6.9mH	6.9	114.3/4.5	94/3.7	38.1/1.5	N/A	N/A	101.6/4	0.9/2
URX000288	1.6	14mH	10.9	114.3/4.5	94/3.7	38.1/1.5	N/A	N/A	101.6/4	0.9/2

Title: Open AC Reactors Technical Specifications

Product(s): All AC Drives

Doc. No. PN.REACTORS.02

Open AC Reactor Technical Specifications (cont.)



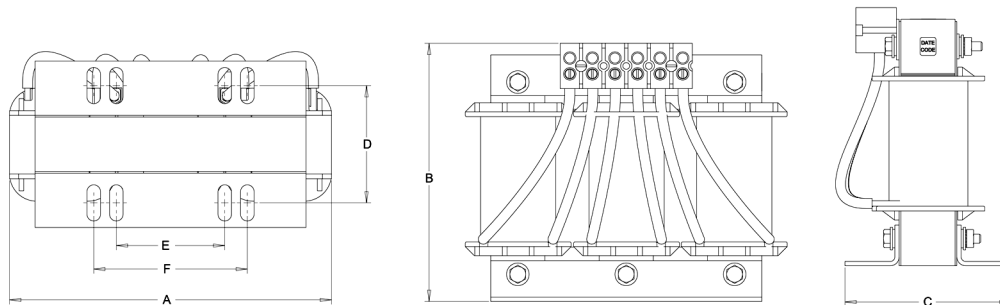
Reactor Part Number	Amp Rating	Inductance (mH)	Watt Loss	Dimensions						Wgt. Kg/Lbs.
				A	B	C	D	E	F	
				mm/in.	mm/in.	mm/in.	mm/in.	mm/in.	mm/in.	
URX000289	1.6	23mH	15	114.3/4.5	94/3.7	38.1/1.5	N/A	N/A	101.6/4	0.9/2
URX000290	1.6	29mH	17.7	114.3/4.5	94/3.7	38.1/1.5	N/A	N/A	101.6/4	0.9/2
URX000291	2.1	5.3mH	9	114.3/4.5	94/3.7	38.1/1.5	N/A	N/A	101.6/4	0.9/2
URX000291	2.1	5.3mH	9	114.3/4.5	94/3.7	38.1/1.5	N/A	N/A	101.6/4	0.9/2
URX000292	2.1	11mH	14.3	114.3/4.5	94/3.7	38.1/1.5	N/A	N/A	101.6/4	0.9/2
URX000293	2.1	18mH	19.6	114.3/4.5	94/3.7	38.1/1.5	N/A	N/A	101.6/4	0.9/2
URX000294	2.1	22mH	22.3	114.3/4.5	94/3.7	38.1/1.5	N/A	N/A	101.6/4	0.9/2
URX000295	3.4	3.2mH	12.3	114.3/4.5	94/3.7	38.1/1.5	N/A	N/A	101.6/4	0.9/2
URX000296	3.4	6.8mH	19.6	114.3/4.5	94/3.7	38.1/1.5	N/A	N/A	101.6/4	0.9/2
URX000297	3.4	11mH	26.5	106.7/4.2	101.6/4	66/2.6	48.3/1.9	35.6/1.4	66/2.6	1.4/3
URX000298	3.4	14mH	31.5	106.7/4.2	101.6/4	66/2.6	48.3/1.9	35.6/1.4	66/2.6	1.4/3
URX000299	4.8	2.3mH	13.8	114.3/4.5	94/3.7	38.1/1.5	N/A	N/A	101.6/4	0.9/2
URX000300	4.8	4.8mH	23	114.3/4.5	94/3.7	38.1/1.5	N/A	N/A	101.6/4	0.9/2
URX000301	4.8	7.7mH	37.5	106.7/4.2	101.6/4	66/2.6	48.3/1.9	35.6/1.4	66/2.6	1.4/3
URX000302	4.8	10mH	40.1	106.7/4.2	101.6/4	76.2/3	58.4/2.3	35.6/1.4	66/2.6	1.8/4
URX000303	7.6	1.5mH	19.2	114.3/4.5	94/3.7	38.1/1.5	N/A	N/A	101.6/4	0.9/2
URX000304	7.6	3mH	37.2	106.7/4.2	101.6/4	66/2.6	48.3/1.9	35.6/1.4	66/2.6	1.4/3
URX000305	7.6	4.8mH	47.8	106.7/4.2	101.6/4	76.2/3	58.4/2.3	35.6/1.4	66/2.6	1.8/4
URX000306	7.6	6mH	53.8	106.7/4.2	104.1/4.1	76.2/3	58.4/2.3	35.6/1.4	66/2.6	1.8/4
URX000307	11	1mH	26.8	106.7/4.2	104.1/4.1	66/2.6	48.3/1.9	35.6/1.4	66/2.6	1.4/3
URX000308	11	2.1mH	40.9	106.7/4.2	104.1/4.1	66/2.6	48.3/1.9	35.6/1.4	66/2.6	1.8/4
URX000309	11	3.3mH	54.4	106.7/4.2	104.1/4.1	83.8/3.3	63.5/2.5	35.6/1.4	66/2.6	2.3/5
URX000310	11	4.3mH	59.1	149.9/5.9	119.4/4.7	73.7/2.9	53.3/2.1	50.8/2	76.2/3	3.2/7
URX000311	14	0.79mH	32.7	106.7/4.2	104.1/4.1	66/2.6	48.3/1.9	35.6/1.4	66/2.6	1.4/3
URX000312	14	1.6mH	48.2	106.7/4.2	104.1/4.1	76.2/3	58.4/2.3	35.6/1.4	66/2.6	1.8/4
URX000313	14	2.6mH	60.6	149.9/5.9	119.4/4.7	73.7/2.9	53.3/2.1	50.8/2	76.2/3	3.2/7
URX000314	14	3.3mH	66	149.9/5.9	144.8/5.7	83.8/3.3	63.5/2.5	50.8/2	76.2/3	4.1/9

Title: Open AC Reactors Technical Specifications

Product(s): All AC Drives

Doc. No. PN.REACTORS.02

Open AC Reactor Technical Specifications (cont.)



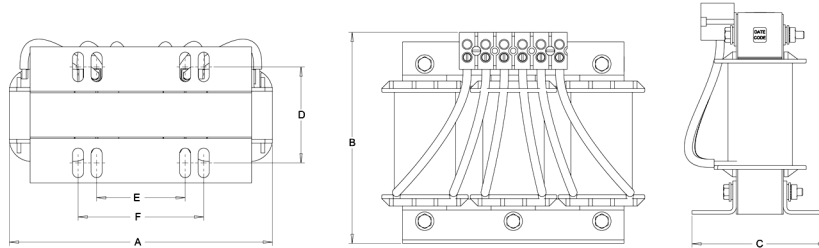
Reactor Part Number	Amp Rating	Inductance (mH)	Watt Loss	Dimensions						Wgt. Kg/Lbs.
				A	B	C	D	E	F	
				mm/in.	mm/in.	mm/in.	mm/in.	mm/in.	mm/in.	
URX000315	21	0.53mH	38.3	106.7/4.2	132.1/5.2	76.2/3	58.4/2.3	35.6/1.4	66/2.6	1.8/4
URX000316	21	1.1mH	57.4	149.9/5.9	152.4/6	73.7/2.9	53.3/2.1	50.8/2	76.2/3	3.2/7
URX000317	21	1.8mH	73.5	149.9/5.9	152.4/6	83.8/3.3	63.5/2.5	50.8/2	76.2/3	4.5/10
URX000318	21	2.2mH	78	180.3/7.1	172.7/6.8	88.9/3.5	68.6/2.7	N/A	76.2/3	5.9/13
URX000319	28	0.39mH	48.2	106.7/4.2	55.9/2.2	83.8/3.3	63.5/2.5	35.6/1.4	66/2.6	2.3/5
URX000320	28	0.82mH	66.8	149.9/5.9	152.4/6	83.8/3.3	63.5/2.5	50.8/2	76.2/3	4.5/10
URX000321	28	1.3mH	93.8	149.9/5.9	152.4/6	83.8/3.3	63.5/2.5	50.8/2	76.2/3	4.5/10
URX000322	28	1.6mH	110.6	180.3/7.1	175.3/6.9	88.9/3.5	68.6/2.7	N/A	76.2/3	6.4/14
URX000323	35	0.35mH	69	149.9/5.9	152.4/6	88.9/3.5	71.1/2.8	50.8/2	76.2/3	4.5/10
URX000324	35	0.71mH	103	180.3/7.1	147.3/5.8	94/3.7	68.6/2.7	N/A	76.2/3	5.9/13
URX000325	35	1.2mH	122	180.3/7.1	147.3/5.8	106.7/4.2	81.3/3.2	N/A	76.2/3	8.2/18
URX000326	46	0.3mH	78	180.3/7.1	147.3/5.8	94/3.7	68.6/2.7	N/A	76.2/3	5.4/12
URX000327	46	0.55mH	100	180.3/7.1	144.8/5.7	106.7/4.2	81.3/3.2	N/A	76.2/3	7.7/17
URX000328	46	0.98mH	179	226.1/8.9	210.8/8.3	116.8/4.6	81.3/3.2	76.2/3	109.2/4.3	10.9/24
URX000329	55	0.27mH	68	180.3/7.1	139.7/5.5	124.5/4.9	81.3/3.2	N/A	76.2/3	8.2/18
URX000330	55	0.47mH	110	180.3/7.1	142.2/5.6	142.2/5.6	81.3/3.2	N/A	76.2/3	9.1/20
URX000331	55	0.75mH	150	226.1/8.9	177.8/7	144.8/5.7	81.3/3.2	76.2/3	109.2/4.3	11.8/26
URX000332	65	0.19mH	87	180.3/7.1	142.2/5.6	127/5	81.3/3.2	N/A	76.2/3	8.2/18
URX000333	65	0.38mH	105	180.3/7.1	144.8/5.7	152.4/6	81.3/3.2	N/A	76.2/3	43760
URX000334	65	0.64mH	215	226.1/8.9	177.8/7	144.8/5.7	81.3/3.2	76.2/3	109.2/4.3	11.8/26
URX000335	83	0.17mH	119	180.3/7.1	142.2/5.6	149.9/5.9	81.3/3.2	N/A	76.2/3	8.6/19
URX000336	83	0.29mH	155	226.1/8.9	180.3/7.1	147.3/5.8	81.3/3.2	76.2/3	109.2/4.3	11.8/26
URX000337	83	0.51mH	198	228.6/9	177.8/7	165.1/6.5	96.5/3.8	76.2/3	109.2/4.3	15.9/35
URX000338	104	0.12mH	94	180.3/7.1	142.2/5.6	142.2/5.6	81.3/3.2	N/A	76.2/3	43760
URX000339	104	0.23mH	200	226.1/8.9	180.3/7.1	157.5/6.2	81.3/3.2	76.2/3	109.2/4.3	12.7/28
URX000340	104	0.375mH	208	243.8/9.6	182.9/7.2	177.8/7	81.3/3.2	76.2/3	109.2/4.3	18.6/41
URX000341	130	0.095mH	132	226.1/8.9	180.3/7.1	162.6/6.4	81.3/3.2	76.2/3	109.2/4.3	11.8/26

Title: Open AC Reactors Technical Specifications

Product(s): All AC Drives

Doc. No. PN.REACTORS.02

Open AC Reactor Technical Specifications (cont.)



Reactor Part Number	Amp Rating	Inductance (mH)	Watt Loss	Dimensions						Wgt. Kg/Lbs.
				A	B	C	D	E	F	
				mm/in.	mm/in.	mm/in.	mm/in.	mm/in.	mm/in.	
URX000342	130	0.18mH	153	243.8/9.6	177.8/7	175.3/6.9	94/3.7	76.2/3	109.2/4.3	16.8/37
URX000343	130	0.3mH	198	243.8/9.6	182.9/7.2	200.7/7.9	119.4/4.7	76.2/3	109.2/4.3	23.6/52
URX000344	160	0.08mH	110	226.1/8.9	177.8/7	162.6/6.4	96.5/3.8	76.2/3	109.2/4.3	15.4/34
URX000345	160	0.155mH	195	243.8/9.6	185.4/7.3	180.3/7.1	96.5/3.8	76.2/3	109.2/4.3	18.1/40
URX000346	160	0.26mH	309	243.8/9.6	185.4/7.3	200.7/7.9	119.4/4.7	76.2/3	109.2/4.3	24/53
URX000347	200	0.06mH	159	226.1/8.9	175.3/6.9	162.6/6.4	94/3.7	76.2/3	109.2/4.3	15.4/34
URX000348	200	0.115mH	224	243.8/9.6	182.9/7.2	200.7/7.9	121.9/4.8	76.2/3	109.2/4.3	22.2/49
URX000349	200	0.2mH	293	274.3/10.8	215.9/8.5	215.9/8.5	149.9/5.9	91.4/3.6	142.2/5.6	34/75
URX000350	250	0.05mH	275	226.1/8.9	180.3/7.1	175.3/6.9	94/3.7	76.2/3	109.2/4.3	15.9/35
URX000351	250	0.095mH	284	243.8/9.6	182.9/7.2	200.7/7.9	119.4/4.7	76.2/3	109.2/4.3	24.9/55
URX000352	250	0.16mH	402	274.3/10.8	215.9/8.5	266.7/10.5	149.9/5.9	91.4/3.6	142.2/5.6	42.2/93
URX000353	322	0.05mH	300	243.8/9.6	185.4/7.3	213.4/8.4	119.4/4.7	76.2/3	109.2/4.3	25.9/57
URX000354	322	0.07mH	383	274.3/10.8	213.4/8.4	221/8.7	137.2/5.4	91.4/3.6	142.2/5.6	34.5/76
URX000355	322	0.13mH	494	274.3/10.8	213.4/8.4	276.9/10.9	188/7.4	91.4/3.6	142.2/5.6	49/108
URX000356	414	0.033mH	333	274.3/10.8	213.4/8.4	233.7/9.2	137.2/5.4	91.4/3.6	142.2/5.6	35.4/78
URX000357	414	0.066mH	531	274.3/10.8	215.9/8.5	264.2/10.4	175.3/6.9	91.4/3.6	142.2/5.6	44.5/98
URX000358	414	0.11mH	588	274.3/10.8	215.9/8.5	312.4/12.3	188/7.4	91.4/3.6	142.2/5.6	56.7/125
URX000359	515	0.025mH	314	274.3/10.8	213.4/8.4	223.5/8.8	137.2/5.4	91.4/3.6	142.2/5.6	36.7/81
URX000360	515	0.05mH	496	274.3/10.8	215.9/8.5	307.3/12.1	162.6/6.4	91.4/3.6	142.2/5.6	53.5/118
URX000361	515	0.08mH	695	363.2/14.3	281.9/11.1	322.6/12.7	243.8/9.6	116.8/4.6	182.9/7.2	87.5/193
URX000362	600	0.02mH	375	274.3/10.8	215.9/8.5	251.5/9.9	137.2/5.4	91.4/3.6	142.2/5.6	170.1/375
URX000363	600	0.04mH	747	363.2/14.3	284.5/11.2	299.7/11.8	205.7/8.1	116.8/4.6	182.9/7.2	65.3/144
URX000364	600	0.065mH	780	363.2/14.3	284.5/11.2	320/12.6	218.4/8.6	116.8/4.6	182.9/7.2	92.5/204
URX000365	750	0.017mH	468	274.3/10.8	218.4/8.6	279.4/11	175.3/6.9	91.4/3.6	142.2/5.6	47.6/105
URX000366	750	0.035mH	838	363.2/14.3	287/11.3	279.4/11	193/7.6	116.8/4.6	182.9/7.2	75.3/166
URX000367	750	0.055mH	858	363.2/14.3	281.9/11.1	350.5/13.8	218.4/8.6	116.8/4.6	182.9/7.2	111.1/245
URX000586	200	0.11mh	168	243.8/9.6	182.9/7.2	200.7/7.9	112/4.4	92/3.63	108/4.3	24.5/54
URX000587	320	0.04mh	224	274.3/10.8	213.4/8.4	200.7/7.9	131/5.2	117/4.6	141.7/5.6	36.3/80
URX000588	400	0.03mh	213	279.4/11	213.4/8.4	218.4/8.6	131/5.2	117/4.6	141.7/5.6	38.1/84