



Nominal data

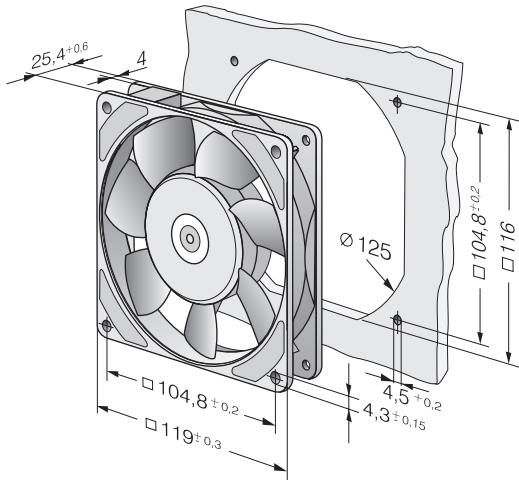
| Type | 9906 | |
|--------------------------|-------------------|------|
| Phase | | 1~ |
| Nominal voltage | VAC | 115 |
| Frequency | Hz | 60 |
| Speed (rpm) | min ⁻¹ | 2850 |
| Power consumption | W | 12.0 |
| Min. ambient temperature | °C | -40 |
| Max. ambient temperature | °C | 70 |
| Air flow | m ³ /h | 135 |
| Sound power level | B | 5.4 |
| Sound pressure level | dB(A) | 42 |

ml = Max. load · me = Max. efficiency · fa = Free air · cs = Customer specification · ce = Customer equipment
Subject to change

Technical description

| | |
|--|---|
| Weight | 0.325 kg |
| Dimensions | 119 x 119 x 25 mm |
| Impeller material | Mineral-reinforced PA plastic |
| Housing material | Die-cast aluminum |
| Airflow direction | Exhaust over struts |
| Direction of rotation | Counterclockwise, viewed toward rotor |
| Storage | Ball bearing |
| Service life L10 at 40 °C | 52500 h |
| Service life L10 at maximum temperature | 25000 h |
| Cable | 2 flat plugs 2.8 x 0.5 mm Grounding lug for M4 |
| Motor protection | Protected from overload by impedance protection |
| Approval | VDE, CSA, UL, CE |

Product drawing



Curves: Air performance

